



US00D747531S

(12) **United States Design Patent**  
**Skira**

(10) **Patent No.:** **US D747,531 S**  
(45) **Date of Patent:** **\*\* Jan. 12, 2016**

(54) **LIGHTING FIXTURE**

(71) Applicant: **IGUZZINI ILLUMINAZIONE S.P.A.**,  
Recanati (IT)

(72) Inventor: **Dean Skira**, Pula (HR)

(73) Assignee: **IGUZZINI ILLUMINAZIONE S.P.A.**,  
Recanati (IT)

(\*\*) Term: **14 Years**

(21) Appl. No.: **29/503,004**

(22) Filed: **Sep. 22, 2014**

(30) **Foreign Application Priority Data**

Mar. 21, 2014 (EM) ..... 0024300900004

(51) **LOC (10) Cl.** ..... **26-03**

(52) **U.S. Cl.**  
USPC ..... **D26/85**

(58) **Field of Classification Search**  
USPC ..... D26/72, 85, 87, 89, 92, 118  
CPC ..... F21S 8/03; F21S 8/033; F21S 8/036;  
F21S 8/037; F21S 8/043; F21S 8/06; F21V  
33/006; F21V 21/02; F21W 2131/10; F21W  
2131/107; F21W 2131/1005  
See application file for complete search history.

(56) **References Cited**

**U.S. PATENT DOCUMENTS**

D151,631 S \* 11/1948 Gomberg ..... D26/79  
D189,857 S \* 3/1961 Lasker ..... D26/85  
D197,206 S \* 12/1963 Hammer ..... D20/29

D320,668 S \* 10/1991 von Kluck ..... D26/85  
D361,639 S \* 8/1995 Christopoulos ..... D26/63  
D378,621 S \* 3/1997 Landefeld ..... D26/85  
D381,452 S \* 7/1997 Landefeld ..... D26/24  
D456,548 S \* 4/2002 Lee ..... D26/72  
D565,232 S \* 3/2008 Butler ..... D26/85  
D569,030 S \* 5/2008 Lee ..... D26/85  
D586,030 S \* 2/2009 Genova ..... D26/85  
D606,232 S \* 12/2009 Sabernig ..... D26/85  
D626,273 S \* 10/2010 Verelst ..... D26/85  
D646,824 S \* 10/2011 Bembridge ..... D26/67  
D655,850 S \* 3/2012 Sabernig ..... D26/85  
2015/0131285 A1 \* 5/2015 Lee ..... F21S 8/033  
362/249.11

\* cited by examiner

*Primary Examiner* — Clare E Heflin

(74) *Attorney, Agent, or Firm* — Abelman, Frayne & Schwab

(57) **CLAIM**

The ornamental design for a lighting fixture, as shown and described.

**DESCRIPTION**

FIG. 1 is a top, front and left side perspective view of the lighting fixture showing my new design;  
FIG. 2 is a front elevational view thereof;  
FIG. 3 is a right side elevational view thereof;  
FIG. 4 is a left side elevational view thereof;  
FIG. 5 is a rear elevational view thereof;  
FIG. 6 is a top plan view thereof; and,  
FIG. 7 is a bottom view thereof.

**1 Claim, 7 Drawing Sheets**

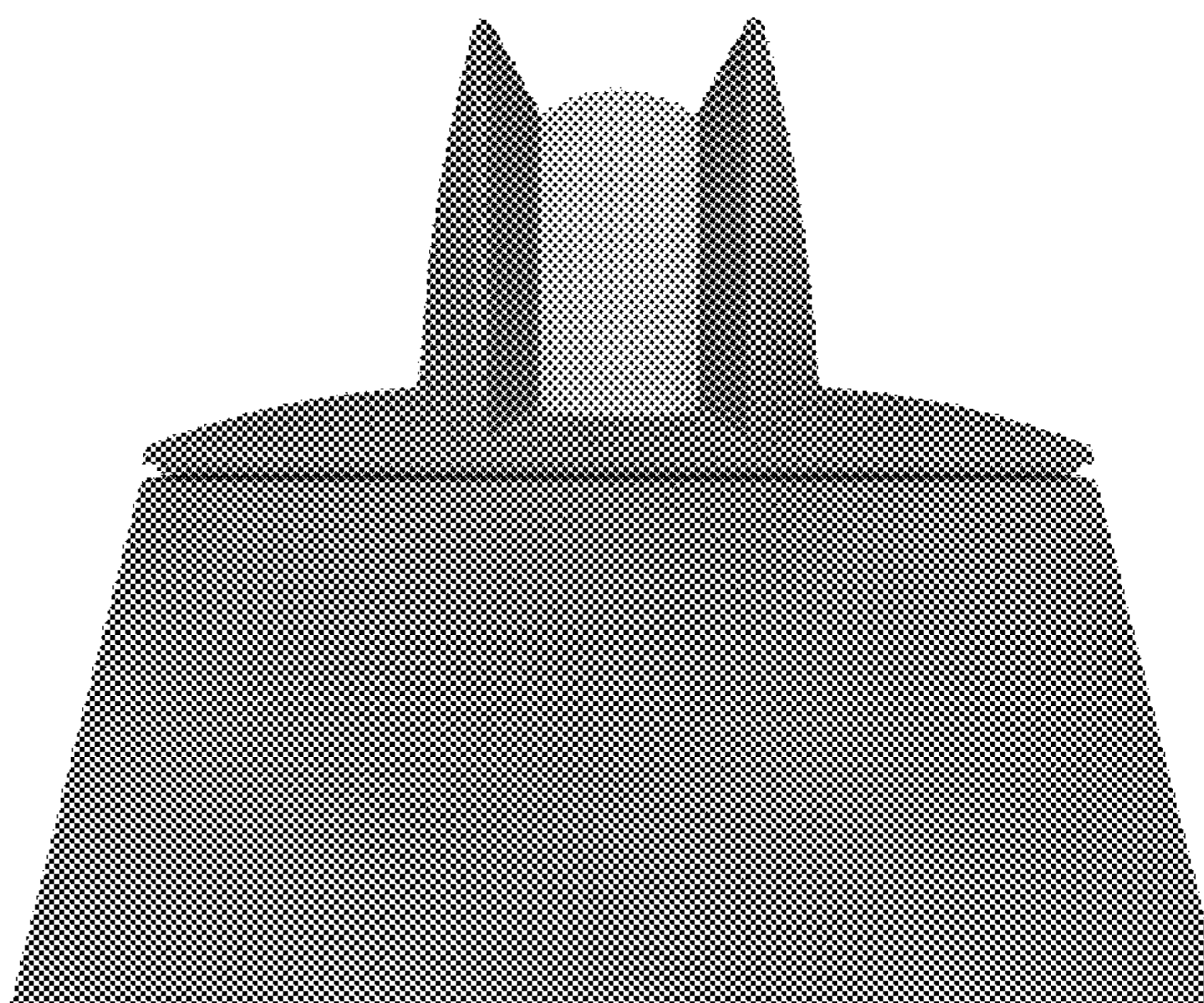
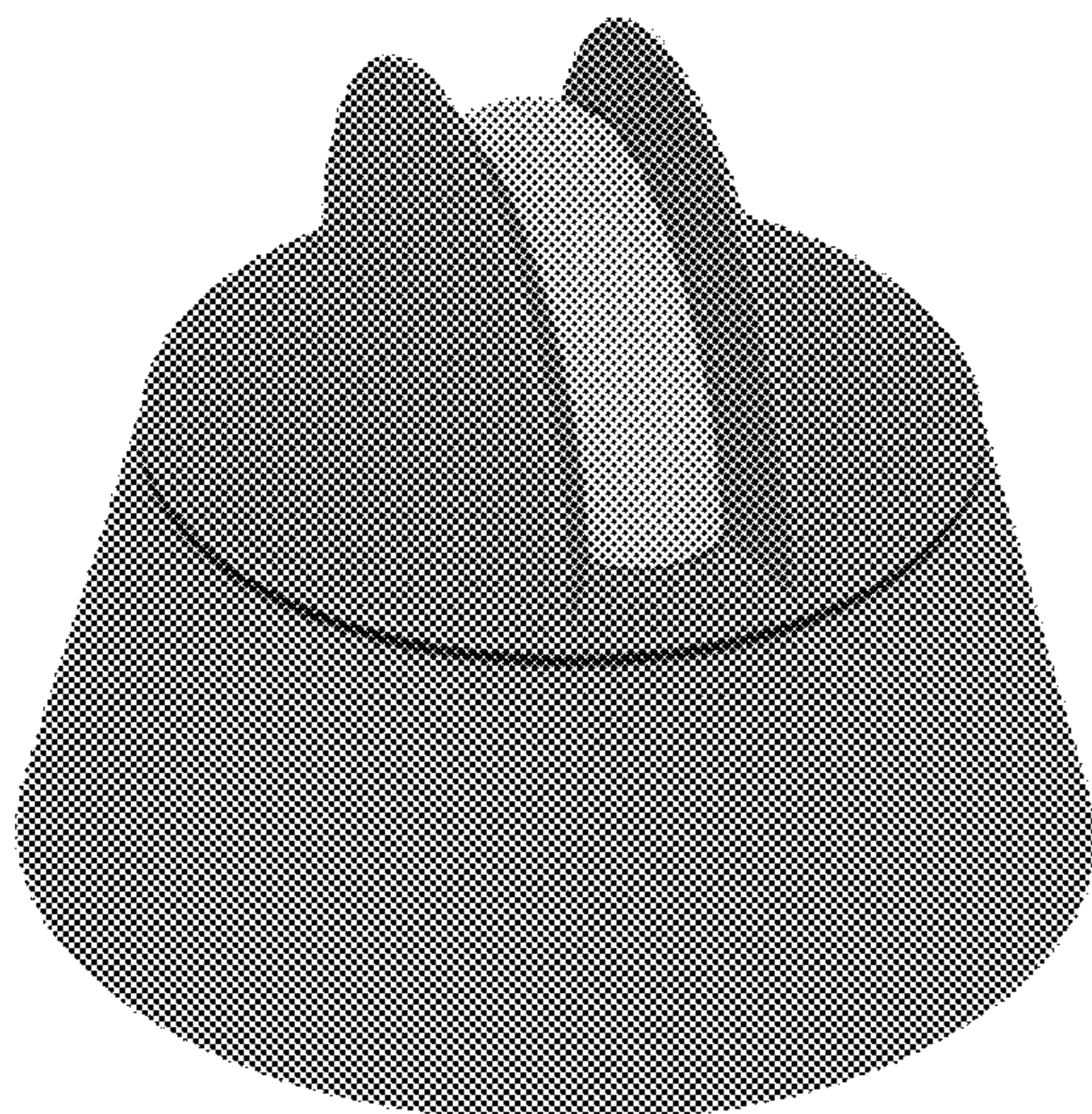




FIG. 1

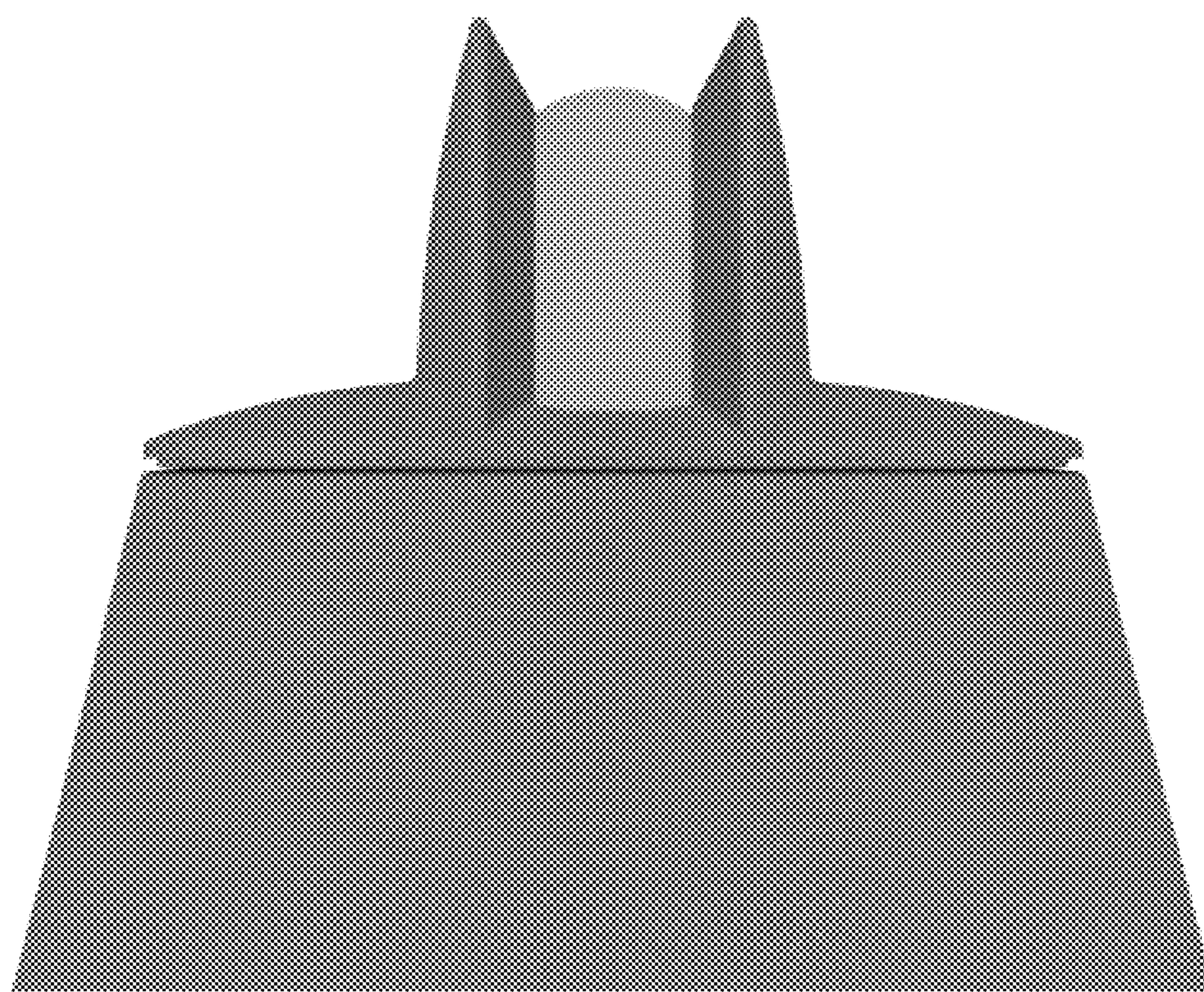


FIG. 2

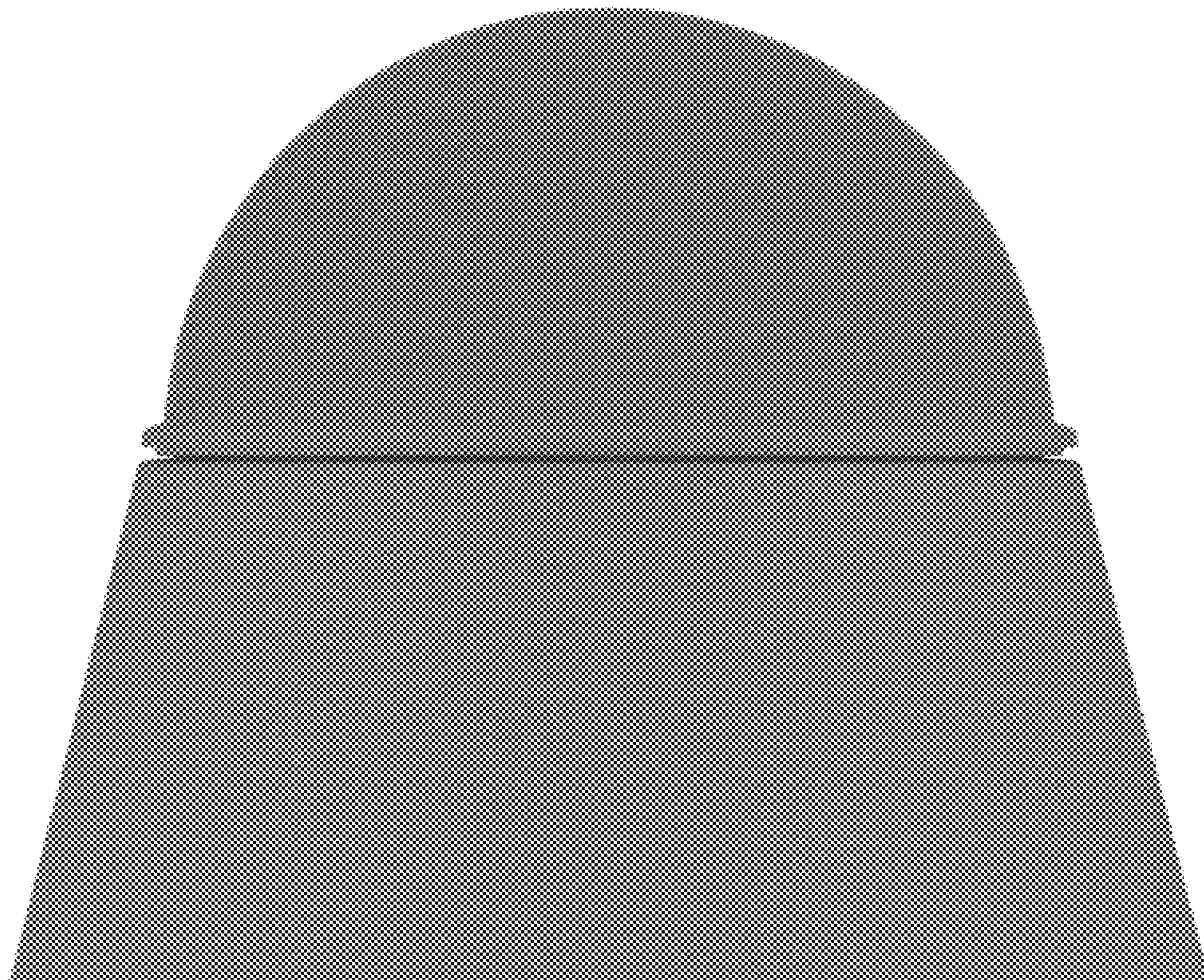


FIG. 3

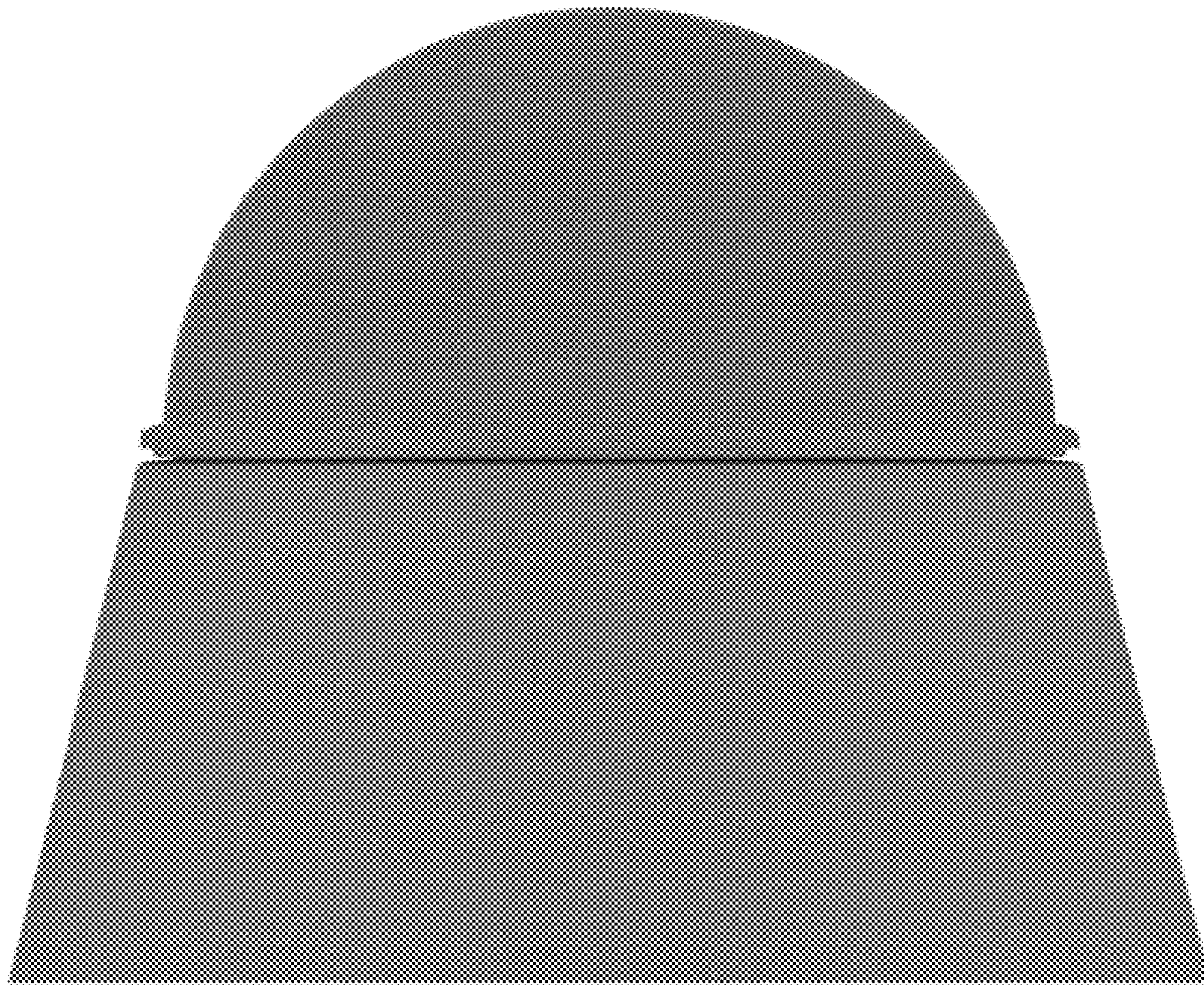


FIG. 4

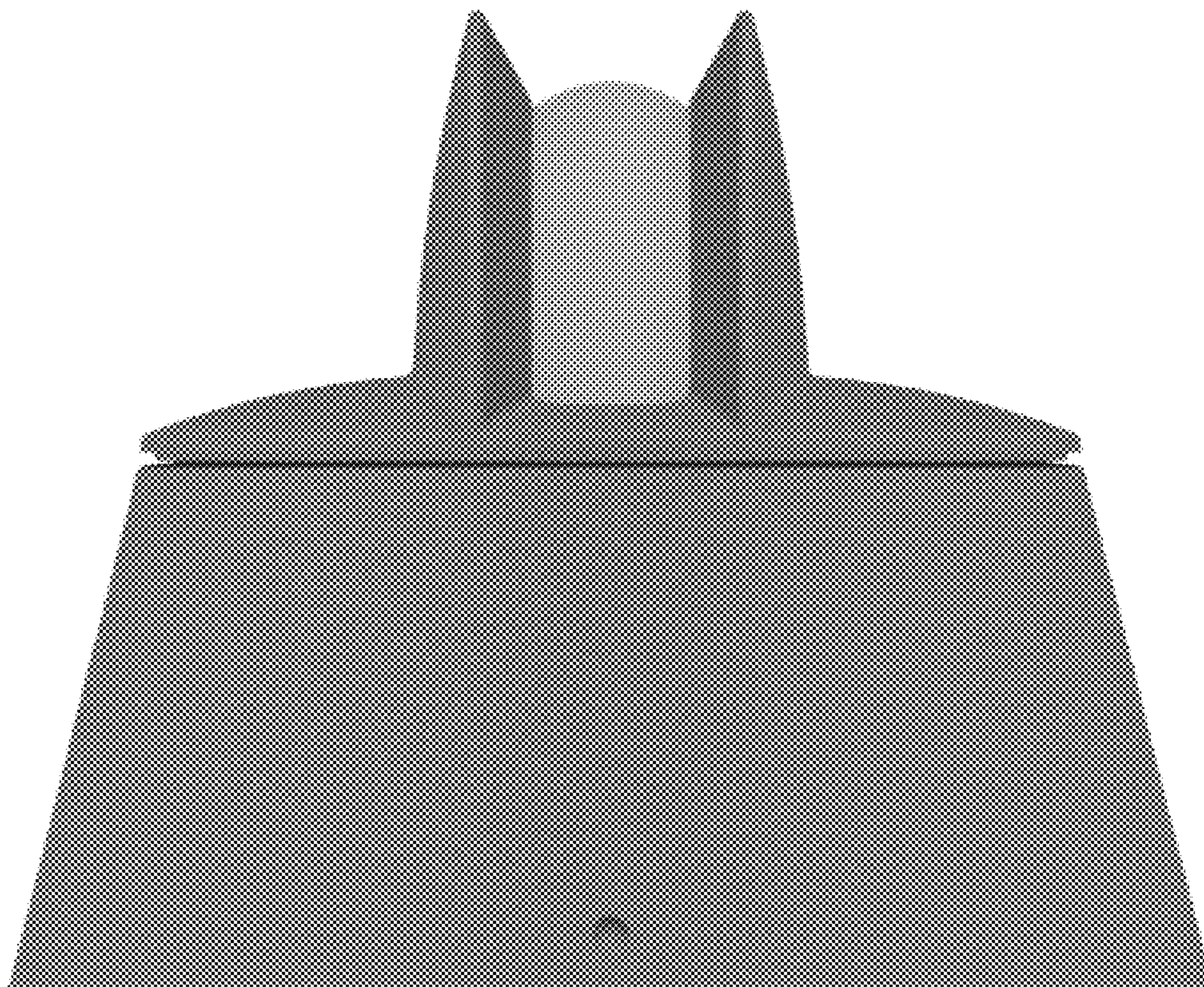


FIG. 5

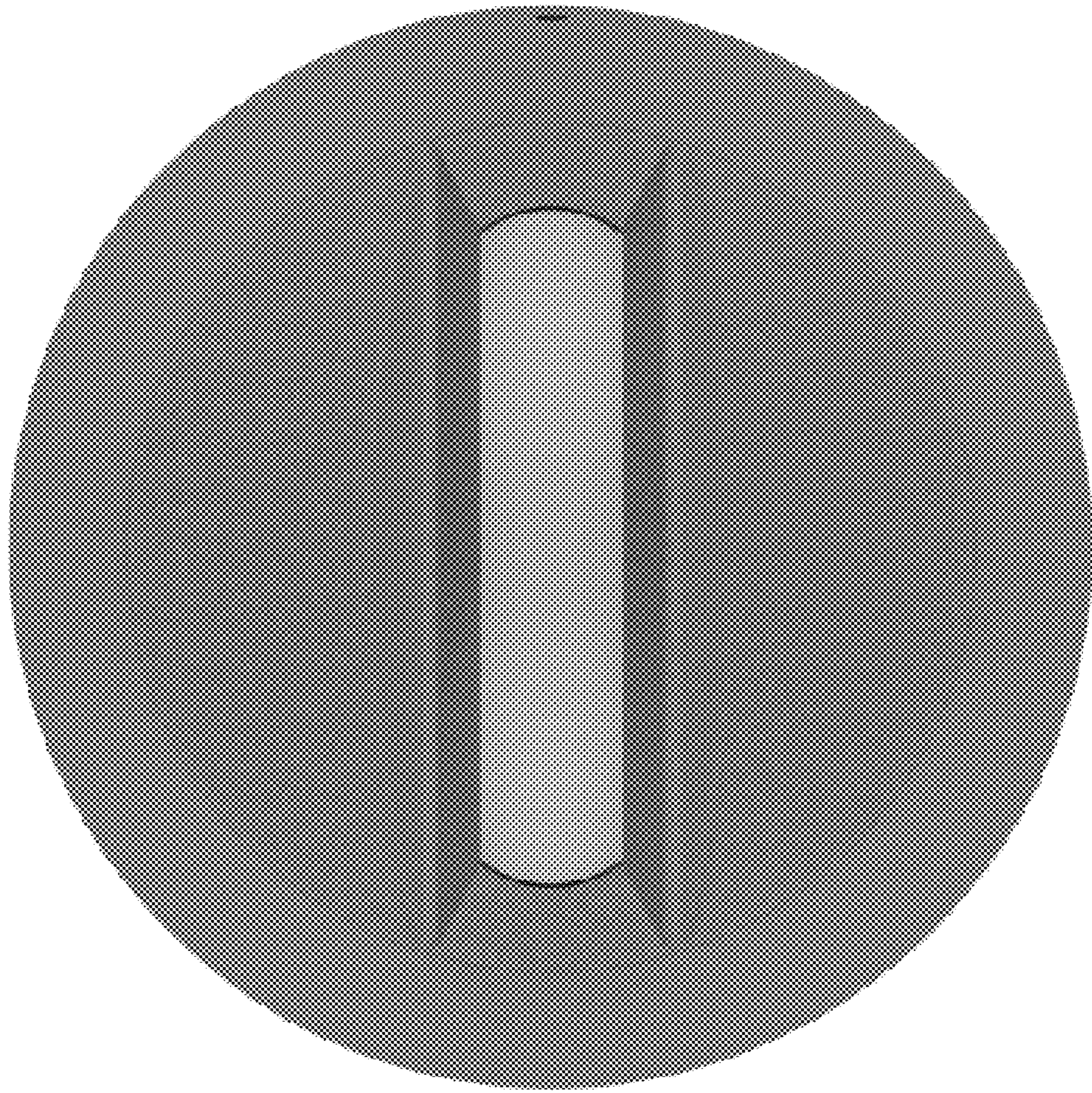


FIG. 6

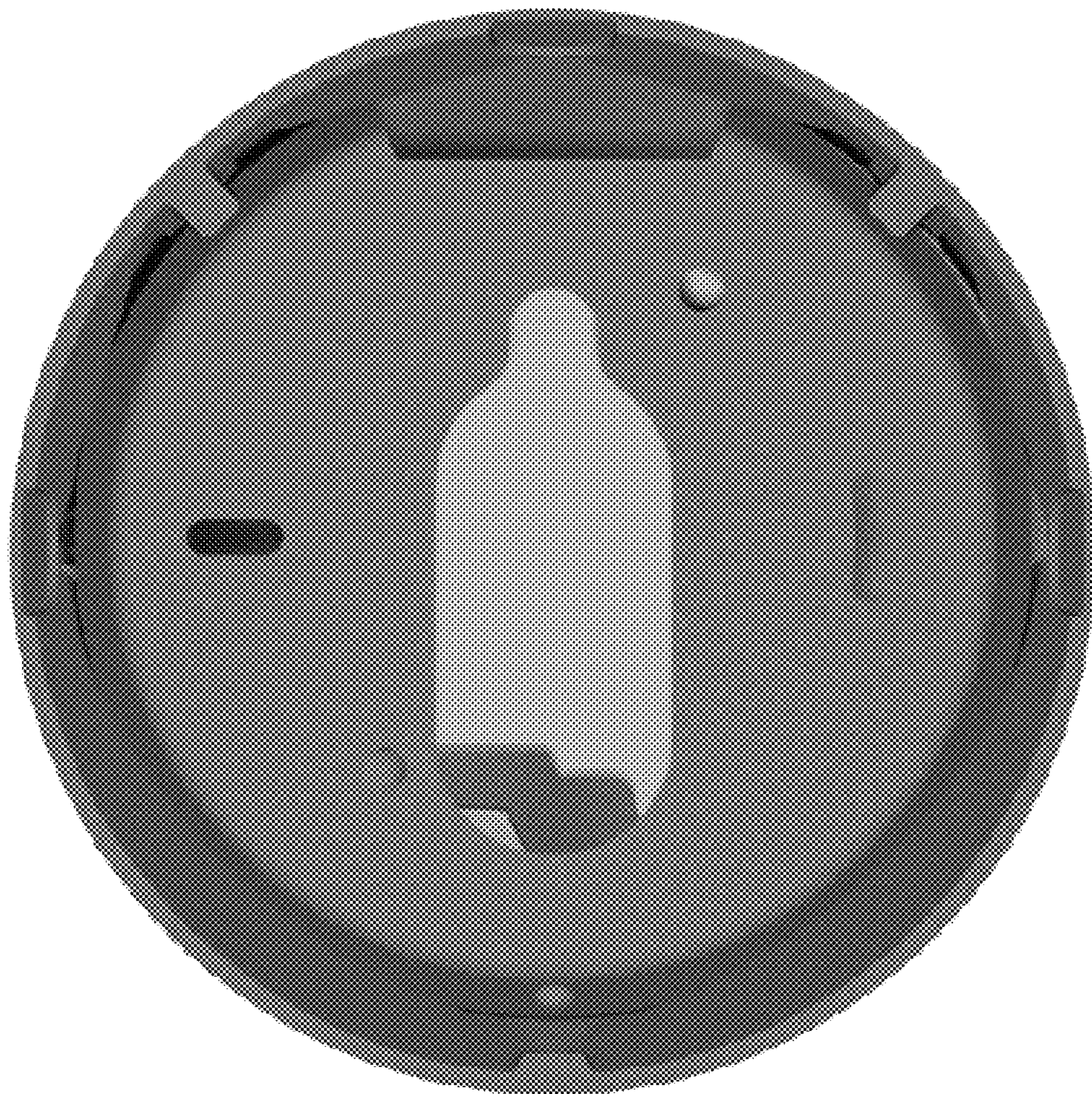


FIG. 7