



US00D747530S

(12) **United States Design Patent**
Lazalier et al.

(10) **Patent No.:** **US D747,530 S**
(45) **Date of Patent:** **** Jan. 12, 2016**

- (54) **LUMINAIRE AND LUMINAIRE LENS**
- (71) Applicant: **Hubbell Incorporated**, Shelton, CT (US)
- (72) Inventors: **Ray M. Lazalier**, Lake St. Louis, MO (US); **Howard P. Clayton**, Festus, MO (US)
- (73) Assignee: **Hubbell Incorporated**, Shelton, CT (US)
- (**) Term: **14 Years**
- (21) Appl. No.: **29/487,946**
- (22) Filed: **Apr. 14, 2014**

Related U.S. Application Data

- (62) Division of application No. 29/438,424, filed on Nov. 29, 2012, now Pat. No. Des. 705,973.
- (51) **LOC (10) Cl.** **26-05**
- (52) **U.S. Cl.**
USPC **D26/74**
- (58) **Field of Classification Search**
USPC D26/74, 72, 75, 76, 77, 78, 85, 88, 89, D26/118, 138, 141; 362/364, 365, 373, 145, 362/146, 147, 148, 150, 153, 153.1, 294, 362/296.01, 296.07, 296.08
CPC F21V 29/2262; F21V 7/06; F21V 21/044; F21V 21/047; F21V 29/2212; F21V 29/2225; F21V 29/2256; F21V 29/225; F21V 29/2268; F21S 8/02; F21S 8/026; F21Y 2111/002
See application file for complete search history.

References Cited

U.S. PATENT DOCUMENTS

- 1,453,887 A 5/1923 Nutt
- D109,740 S 5/1938 Steward D26/137

- D286,205 S 10/1986 Jankowski et al.
- D346,239 S 4/1994 Vamberszky et al.
- D431,316 S 9/2000 Tickner
- D448,880 S * 10/2001 Benghozi D26/74
- D474,300 S 5/2003 Lecluze
- D488,251 S * 4/2004 Benghozi D26/118
- D488,583 S 4/2004 Benghozi D26/118
- 6,779,910 B1 8/2004 Pelton
- D508,583 S 8/2005 Carbone
- D539,464 S 3/2007 Dworschak
- D561,374 S * 2/2008 Hartmann et al. D26/74
- D583,980 S 12/2008 Guercio
- D592,792 S 5/2009 Keller
- D601,293 S * 9/2009 MacKenzie D26/74
- D610,292 S 2/2010 Yoshinobu et al.
- D617,031 S 6/2010 Redfern et al.
- D622,434 S 8/2010 Ward et al. D26/74
- D627,502 S 11/2010 Zheng et al.
- D633,099 S 2/2011 Van de Ven et al. D15/1
- D643,562 S 8/2011 Mier-Langner et al. D26/74
- D655,850 S 3/2012 Sabernig D26/85
- D658,327 S * 4/2012 Meise et al. D26/74

(Continued)

Primary Examiner — Angela J Lee

(74) *Attorney, Agent, or Firm* — Michael Best & Friedrich, LLP

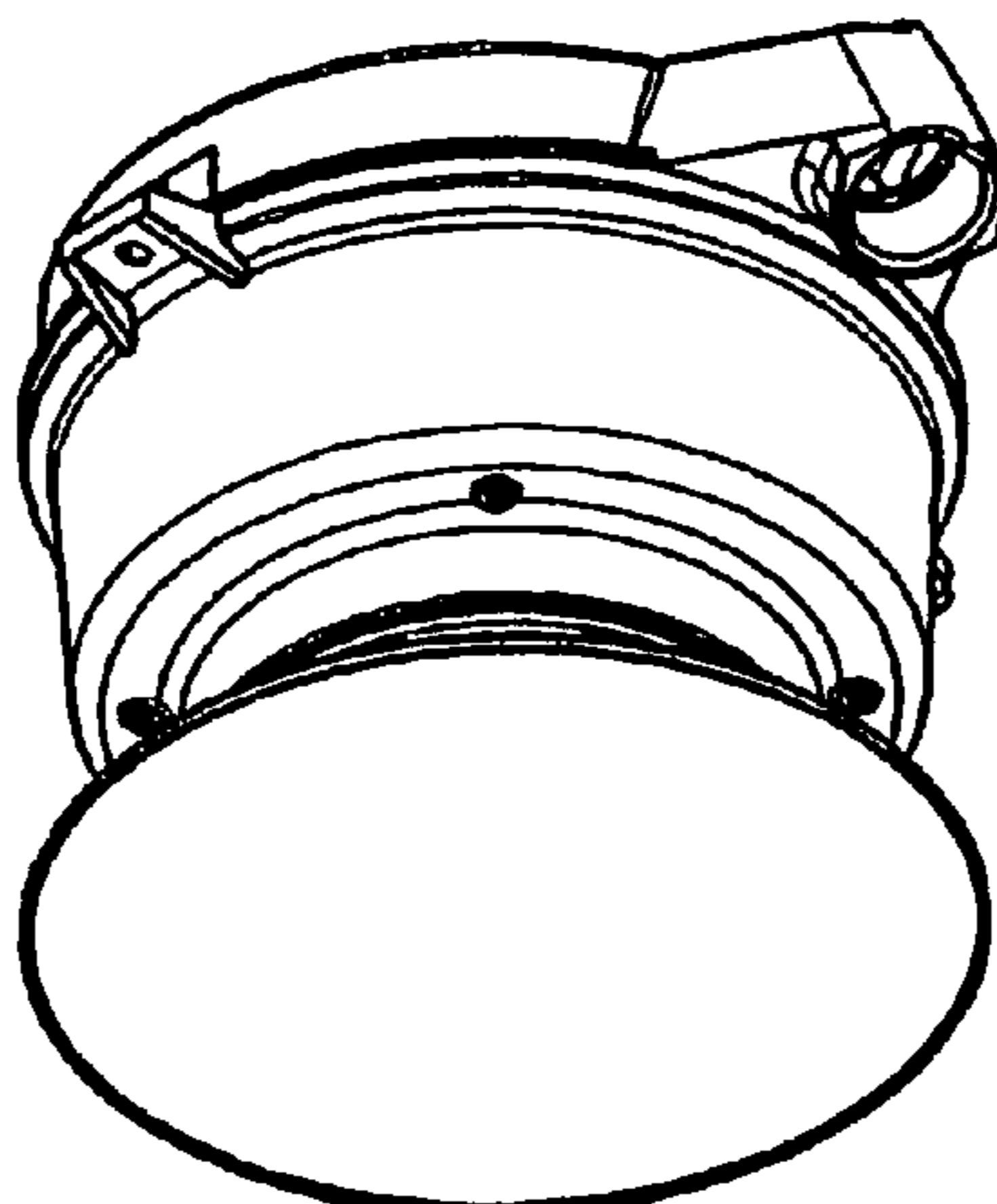
(57) **CLAIM**

The ornamental design for a luminaire and luminaire lens, as shown and described.

DESCRIPTION

FIG. 1 is a perspective view of the luminaire and luminaire lens;
 FIG. 2 is a front side view thereof;
 FIG. 3 is a rear side view thereof;
 FIG. 4 is a right side view thereof;
 FIG. 5 is a left side view thereof;
 FIG. 6 is a top view thereof; and,
 FIG. 7 is a bottom view thereof.

1 Claim, 3 Drawing Sheets



(56)

References Cited

U.S. PATENT DOCUMENTS

8,182,116 B2 5/2012 Zhang et al.
D663,465 S 7/2012 Couvreur et al.
D668,372 S 10/2012 Renshaw et al. D26/74
D671,668 S 11/2012 Rowlette et al. D26/74
D674,127 S * 1/2013 Rowlette et al. D26/74

D683,883 S * 6/2013 Yorio et al. D26/74
D684,288 S 6/2013 Gielen D26/74
D698,071 S * 1/2014 Messiaen D26/74
D704,875 S * 5/2014 Johnson D26/74
D705,973 S * 5/2014 Lazalier et al. D26/74
2011/0075411 A1 * 3/2011 Van De Ven et al. 362/235
2013/0039072 A1 2/2013 Kim et al. 362/294
2014/0063810 A1 * 3/2014 Randolph et al. 362/294

* cited by examiner

FIG. 1

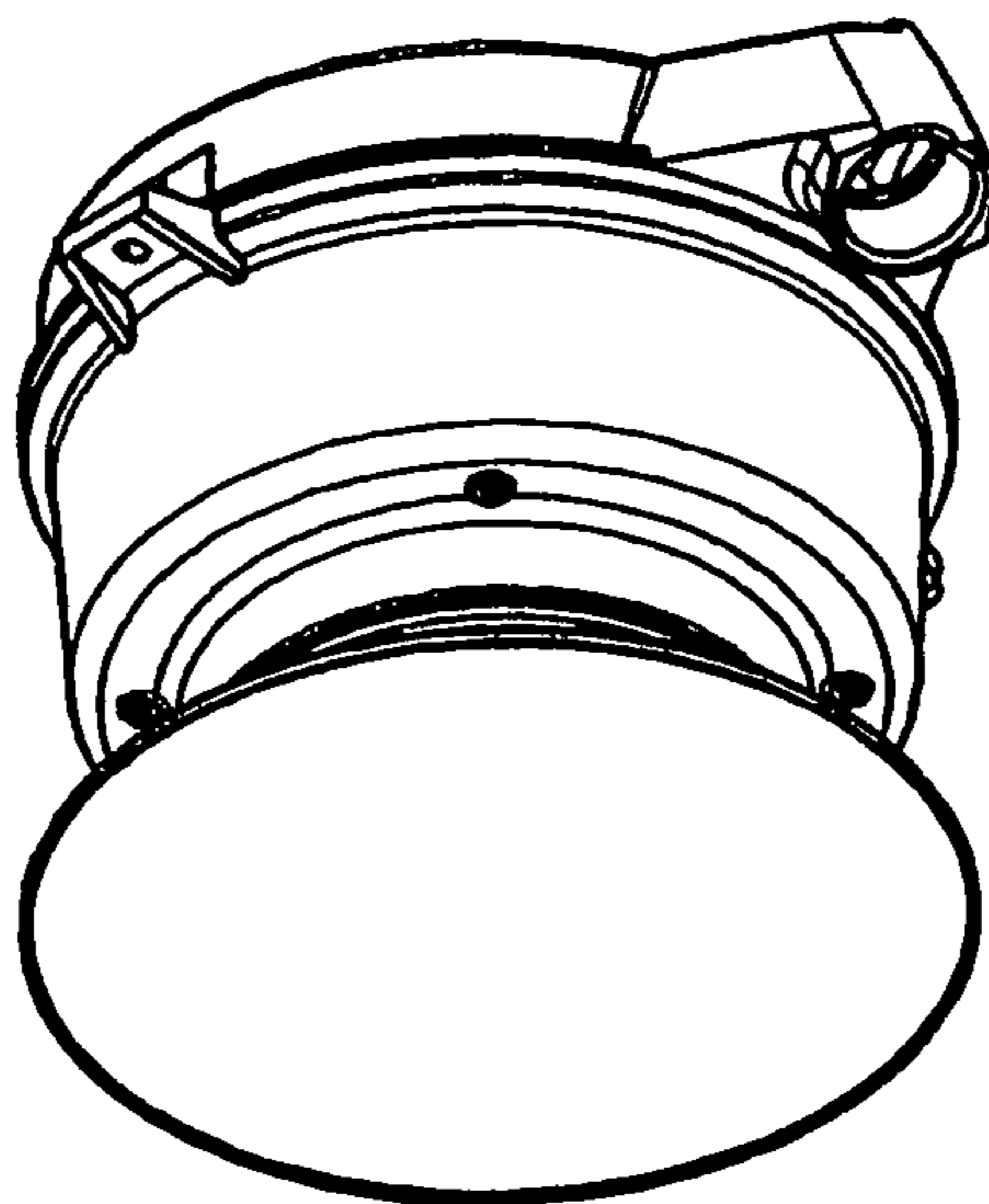


FIG. 2

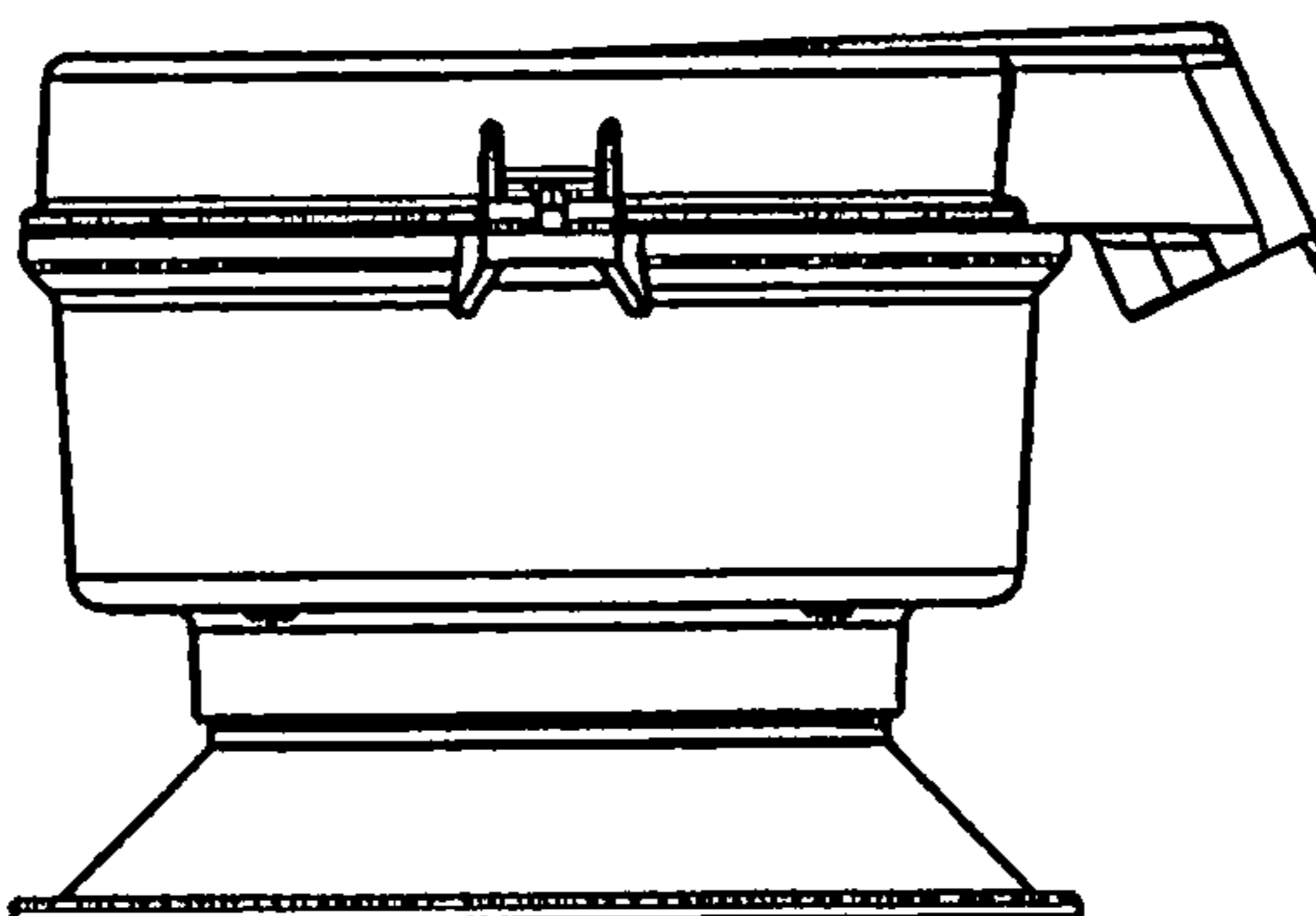
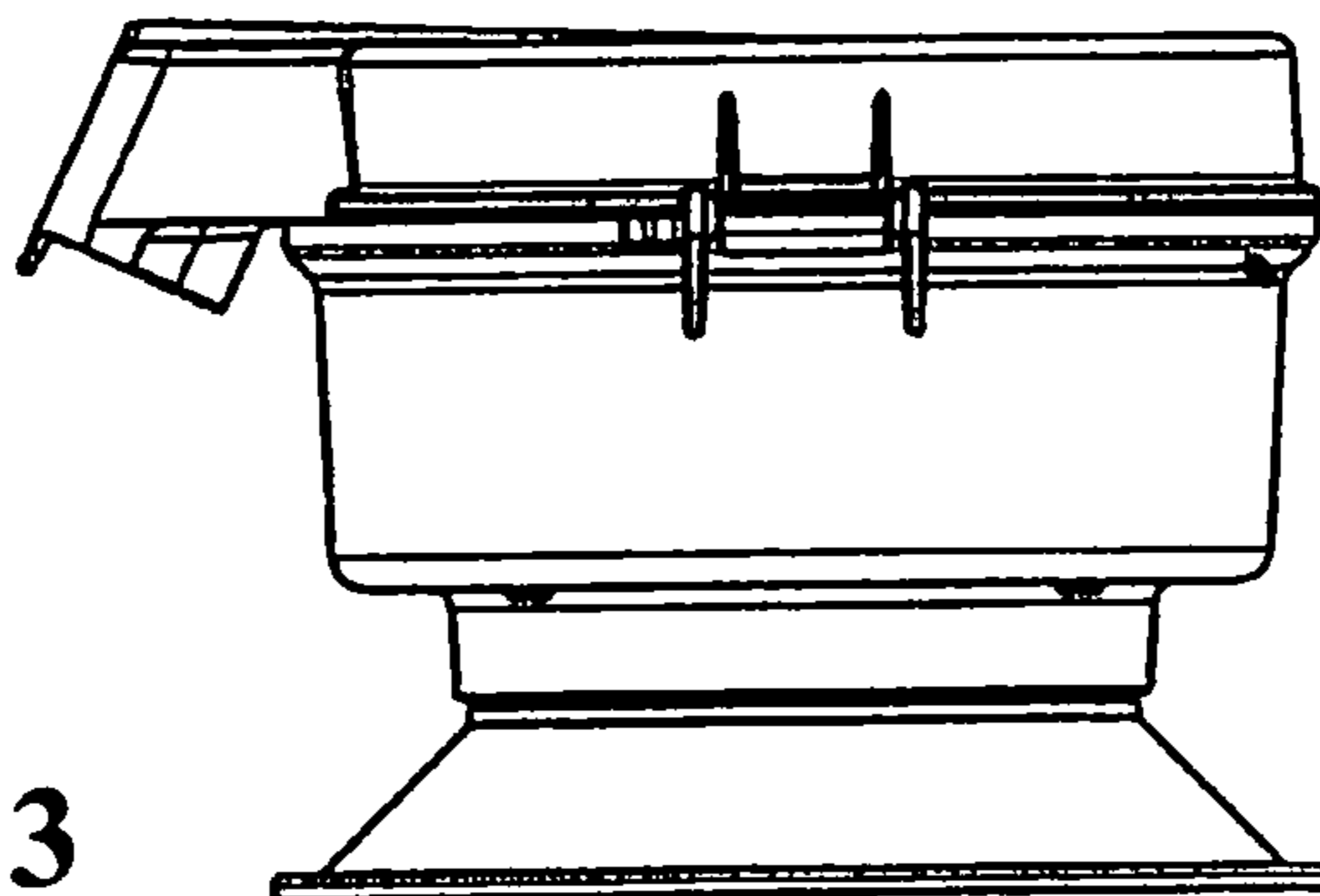


FIG. 3



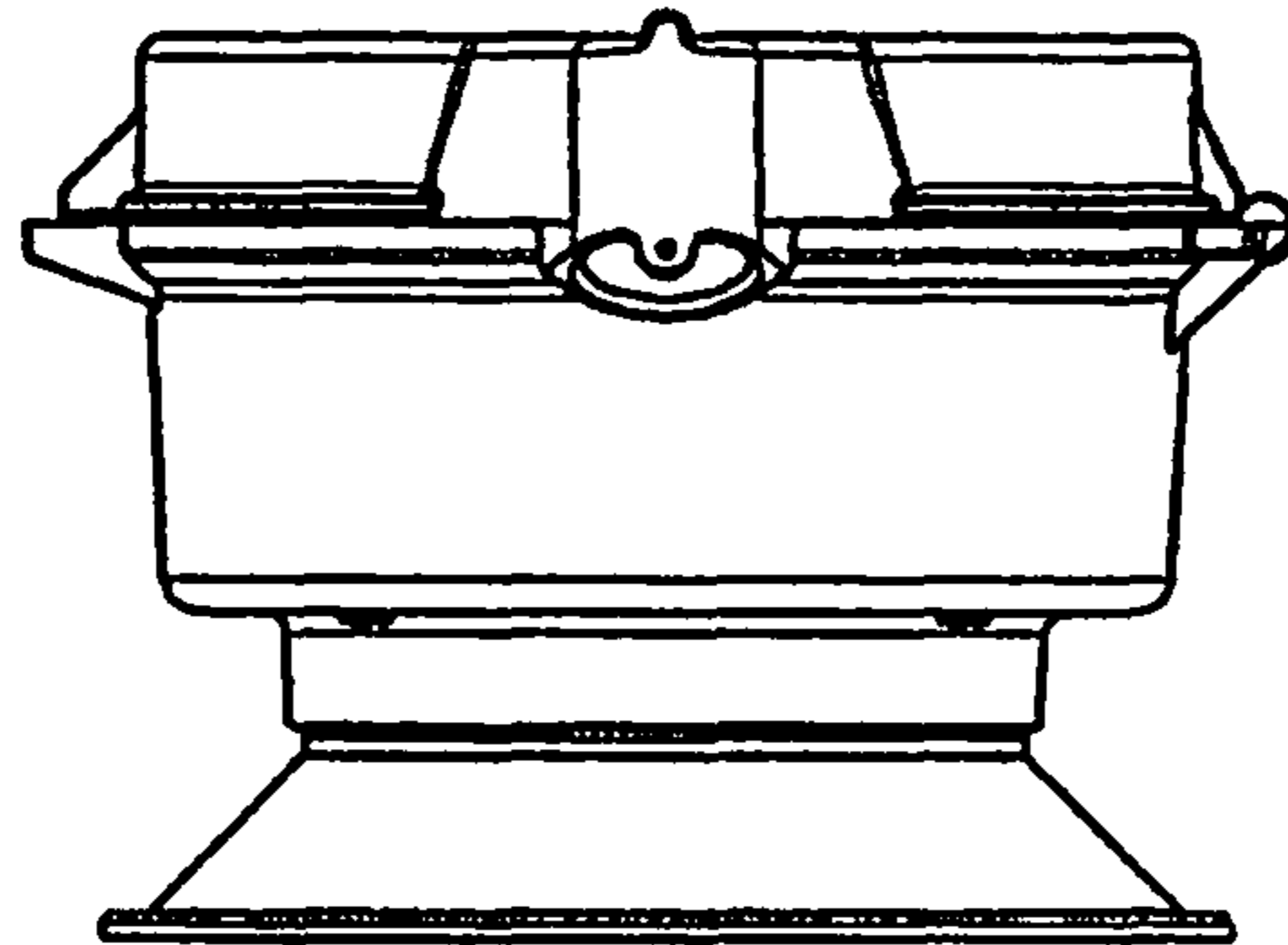


FIG. 4

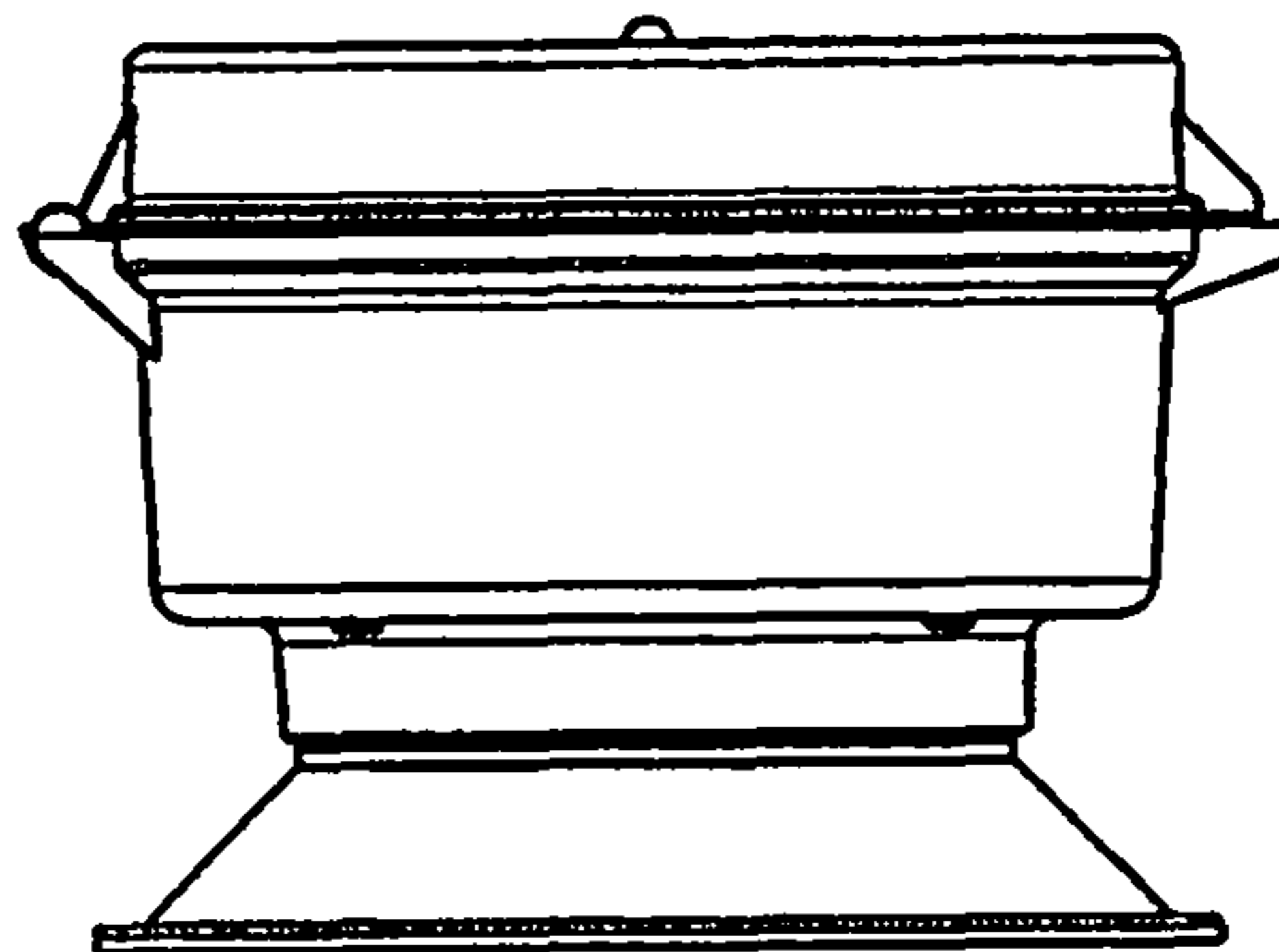


FIG. 5

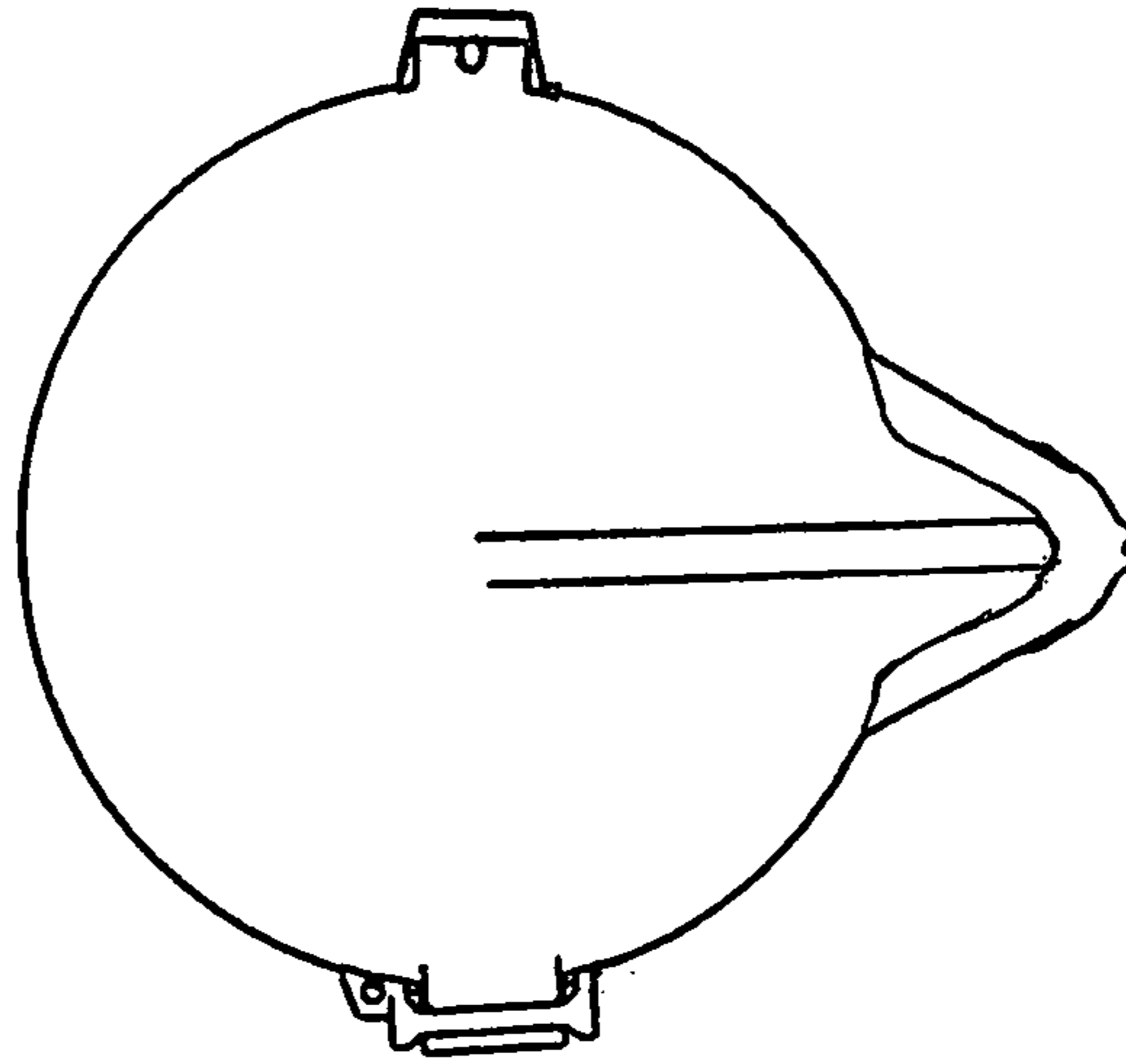


FIG. 6

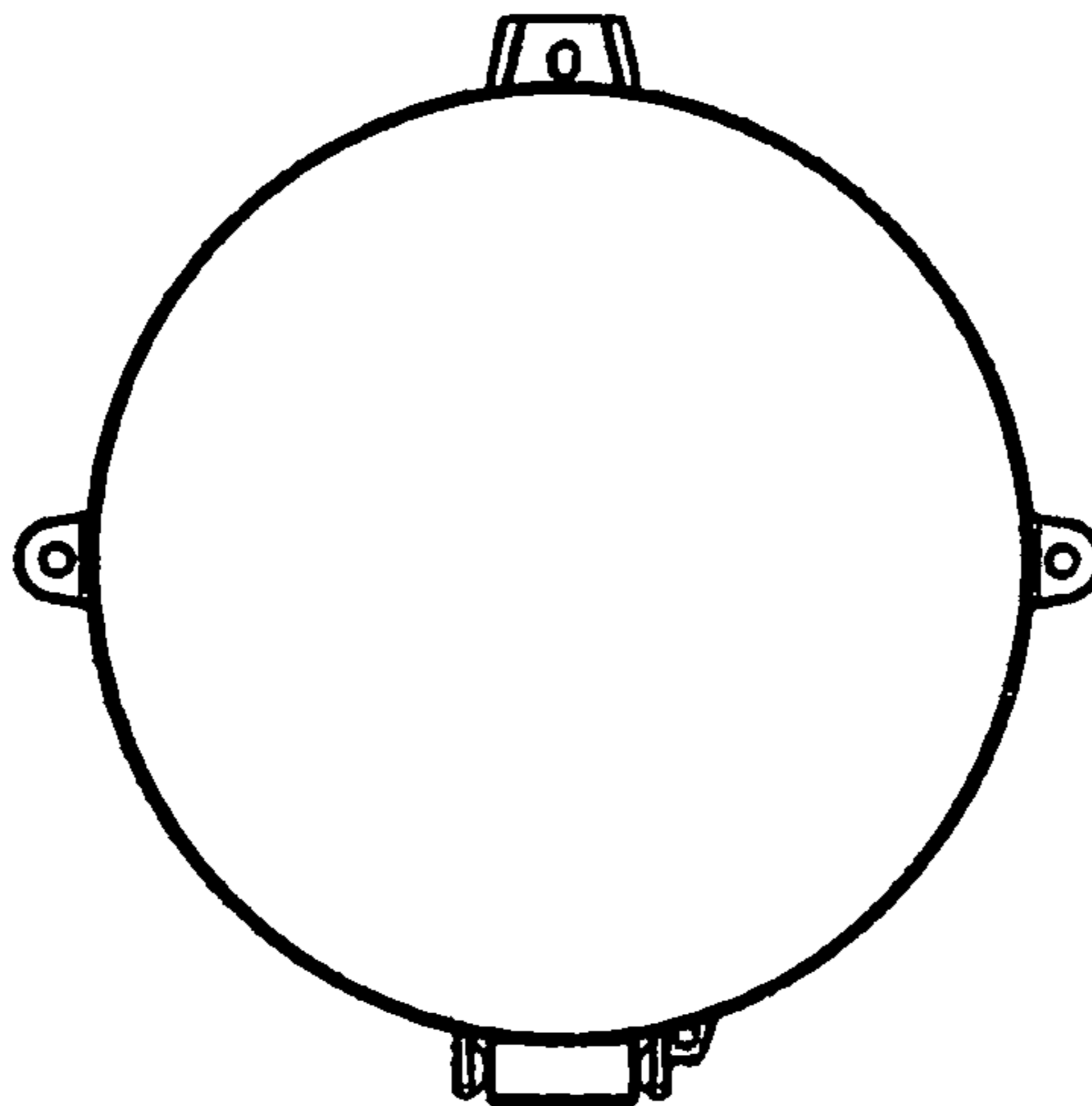


FIG. 7