



US00D747528S

(12) **United States Design Patent**  
**Katz et al.**

(10) **Patent No.:** **US D747,528 S**  
(45) **Date of Patent:** **\*\* Jan. 12, 2016**

(54) **LED LIGHT**

(71) Applicants: **Future Energy Solutions**, Hollywood,  
FL (US); **Vivian Katz**, Aventura, FL  
(US)

(72) Inventors: **Kenneth Katz**, Aventura, FL (US); **Josef  
Levy**, Aventura, FL (US)

(73) Assignee: **Future Energy Solutions**, Hollywood,  
FL (US)

(\*\*) Term: **14 Years**

(21) Appl. No.: **29/464,719**

(22) Filed: **Aug. 20, 2013**

**Related U.S. Application Data**

(62) Division of application No. 29/414,617, filed on Mar.  
1, 2012, now Pat. No. Des. 690,869.

(51) **LOC (10) Cl.** ..... **26-05**

(52) **U.S. Cl.**  
USPC ..... **D26/74**

(58) **Field of Classification Search**  
USPC ..... D26/74, 24, 72, 75, 76, 78, 79, 81, 82,  
D26/88, 89, 91, 113, 118, 119, 120, 138,  
D26/141, 142

CPC ..... F21V 21/04; F21V 21/041; F21V 7/005;  
F21Y 2111/002; F21S 8/026; F21S 8/02

See application file for complete search history.

(56) **References Cited**

**U.S. PATENT DOCUMENTS**

D320,283	S	*	9/1991	Burkarth	.....	D26/121
D459,012	S	*	6/2002	Shemitz et al.	.....	D26/76
D473,328	S	*	4/2003	Chelf	.....	D26/3
D480,499	S	*	10/2003	Watt	.....	D26/121
D481,483	S	*	10/2003	Waugh et al.	.....	D26/76
D481,820	S	*	11/2003	Watt	.....	D26/77
D486,262	S	*	2/2004	Chen	.....	D26/77
D591,893	S	*	5/2009	Waldmann	.....	D26/74
D646,826	S	*	10/2011	Smith	.....	D26/74
D667,157	S	*	9/2012	Ferguson et al.	.....	D26/76
D668,383	S	*	10/2012	Schieffelin et al.	.....	D26/142
D679,439	S	*	4/2013	Lai	.....	D26/75
D685,942	S	*	7/2013	Duquette et al.	.....	D26/74
D690,869	S	*	10/2013	Katz et al.	.....	D26/74
D730,558	S	*	5/2015	Dungan et al.	.....	D26/76
D733,347	S	*	6/2015	Dungan et al.	.....	D26/76
2002/0003699	A1	*	1/2002	Shemitz et al.	.....	362/225
2008/0019126	A1	*	1/2008	Straton et al.	.....	362/218
2009/0284968	A1	*	11/2009	Kuo et al.	.....	362/235

\* cited by examiner

*Primary Examiner* — Angela J Lee

(74) *Attorney, Agent, or Firm* — Laurence Greenberg;  
Werner Stemer; Ralph Locher

(57) **CLAIM**

The ornamental design for an LED light, as shown and  
described.

**DESCRIPTION**

FIG. 1 is a top perspective view of an LED light having LED  
strip produced light pattern; and,  
FIG. 2 is a top plan view thereof.  
In the drawings, the broken lines show detail that form no part  
of the claim.

**1 Claim, 2 Drawing Sheets**

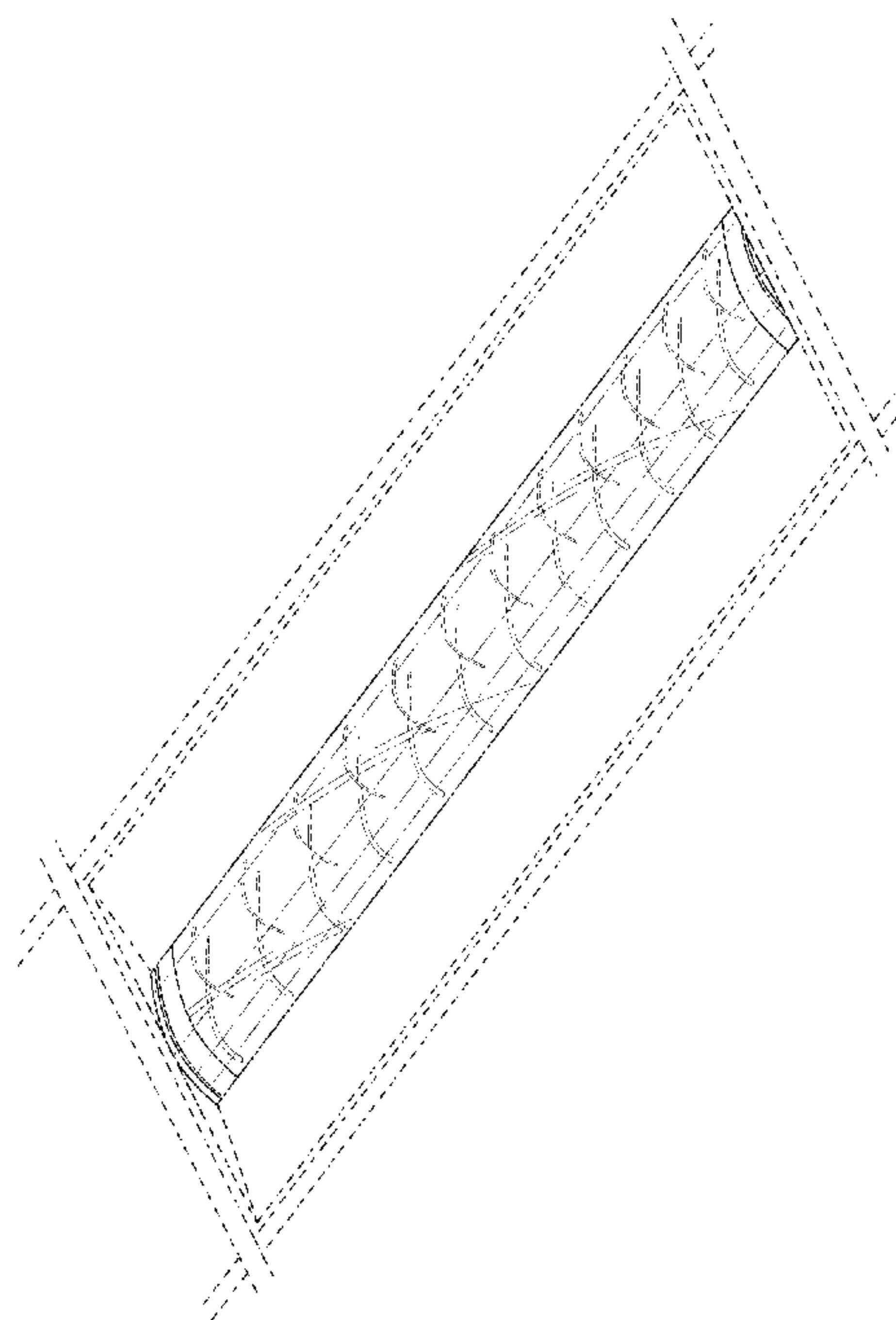


FIG. 1

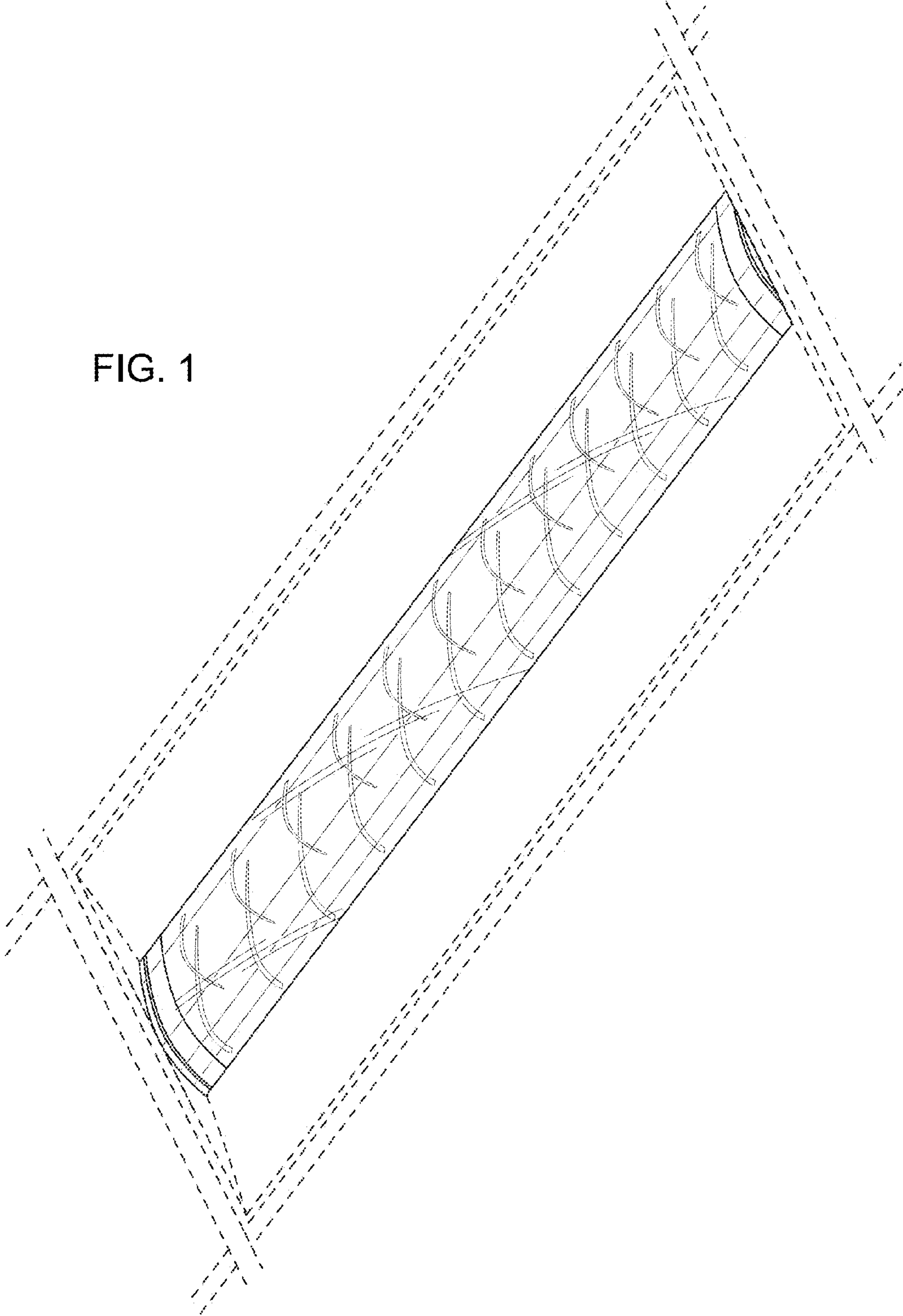


FIG. 2

