



US00D747526S

(12) **United States Design Patent**
Zhang et al.

(10) **Patent No.:** **US D747,526 S**
(45) **Date of Patent:** **** Jan. 12, 2016**

(54) **LED LIGHT**

(71) Applicant: **NINGBO YUSING OPTOELECTRONIC TECHNOLOGY CO., LTD.**, Ningbo, Zhejiang (CN)

(72) Inventors: **Liang Zhang**, Ningbo (CN); **Xiaoyu Cai**, Ningbo (CN)

(73) Assignee: **NINGBO YUSING OPTOELECTRONIC TECHNOLOGY CO., LTD.**, Ningbo (CN)

(**) Term: **14 Years**

(21) Appl. No.: **29/486,951**

(22) Filed: **Apr. 4, 2014**

(30) **Foreign Application Priority Data**

Nov. 14, 2013 (EM) 002345025-0001

(51) **LOC (10) Cl.** **26-03**

(52) **U.S. Cl.**
USPC **D26/63**

(58) **Field of Classification Search**
USPC D26/1, 24, 61, 63, 65, 85, 92
CPC F21V 21/14; F21V 15/01; F21V 14/02;
F21V 21/30; F21V 21/00; F21V 14/00;
F21S 8/00; F21S 8/003; F21S 8/043; F21Y
2105/001

See application file for complete search history.

(56) **References Cited**

U.S. PATENT DOCUMENTS

D535,774 S *	1/2007	Weston et al.	D26/61
D615,235 S *	5/2010	Zheng	D26/63
D642,721 S *	8/2011	Li et al.	D26/63
D644,776 S *	9/2011	Rea et al.	D26/63
D695,435 S *	12/2013	Pedersen	D26/63

* cited by examiner

Primary Examiner — Brian N Vinson

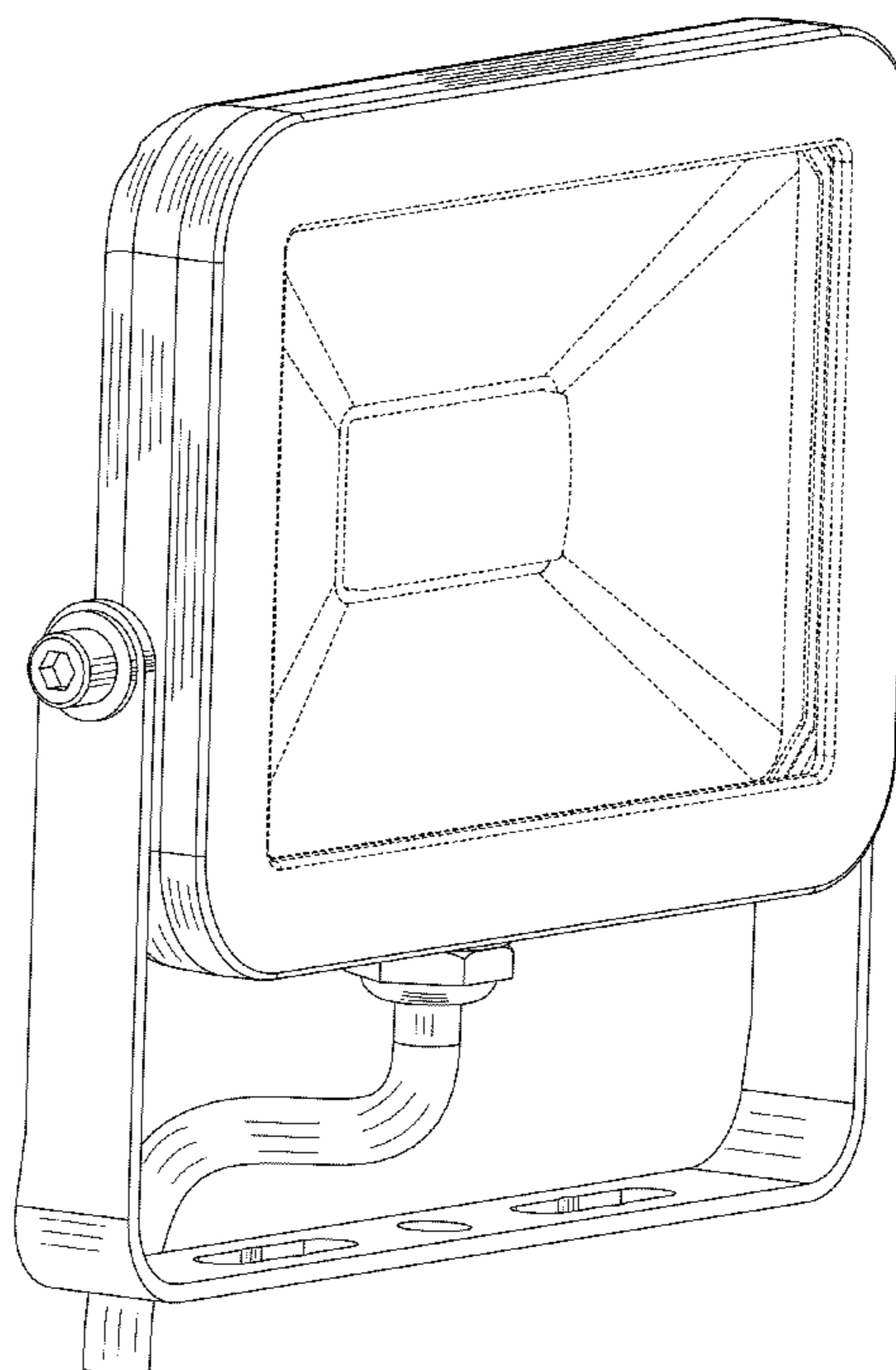
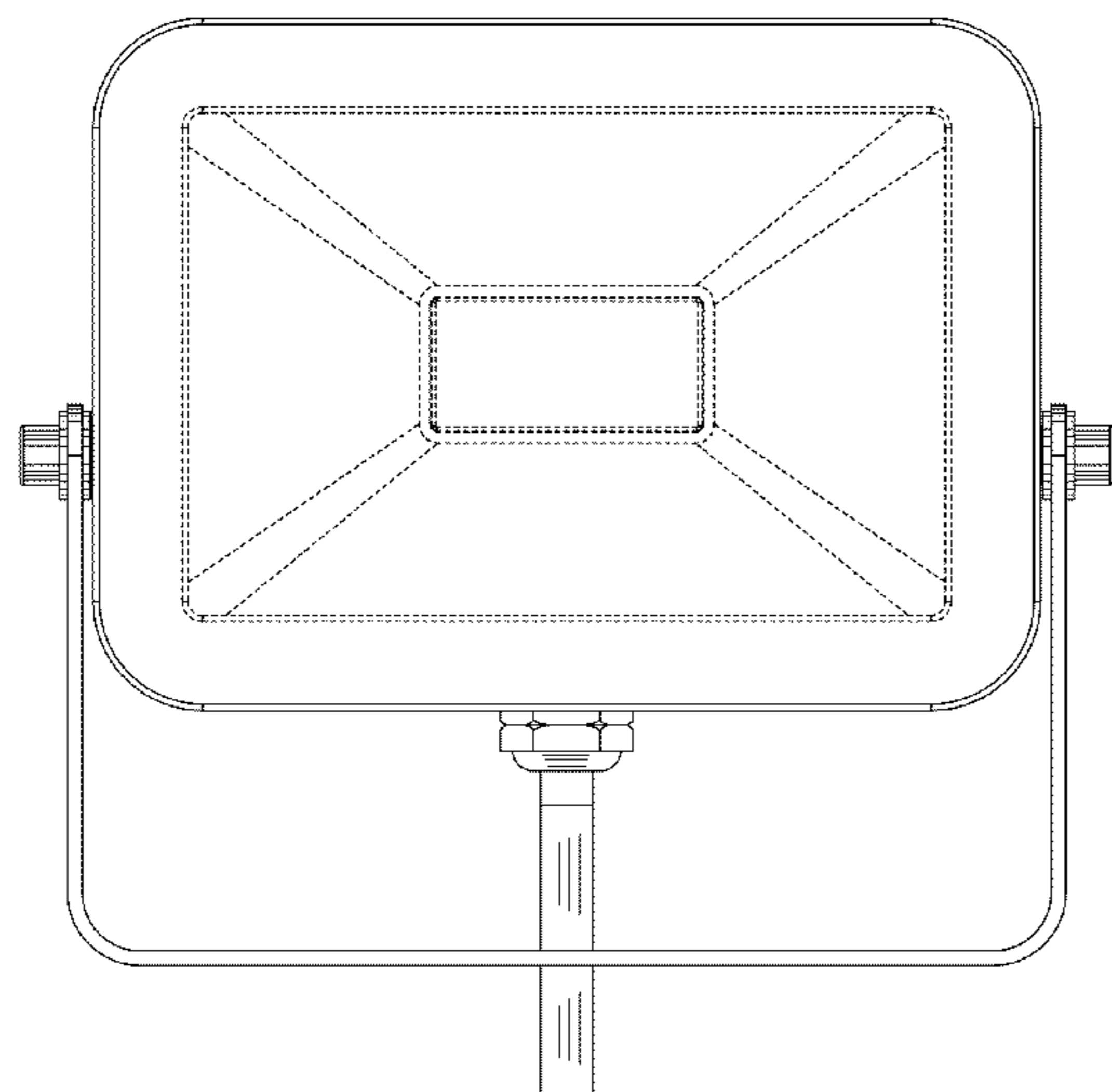
(57) **CLAIM**

The ornamental design for an LED light, as shown and described.

DESCRIPTION

FIG. 1 is a front elevation view of an LED light of my new design;
FIG. 2 is a rear elevation view thereof;
FIG. 3 is a left side view thereof;
FIG. 4 is a right side view thereof;
FIG. 5 is a top plan view thereof;
FIG. 6 is a bottom plan view thereof;
FIG. 7 is a first perspective view thereof; and,
FIG. 8 is a second perspective view thereof.
The broken line disclosure represents portions of the LED light which form no part of the claimed design.

1 Claim, 7 Drawing Sheets



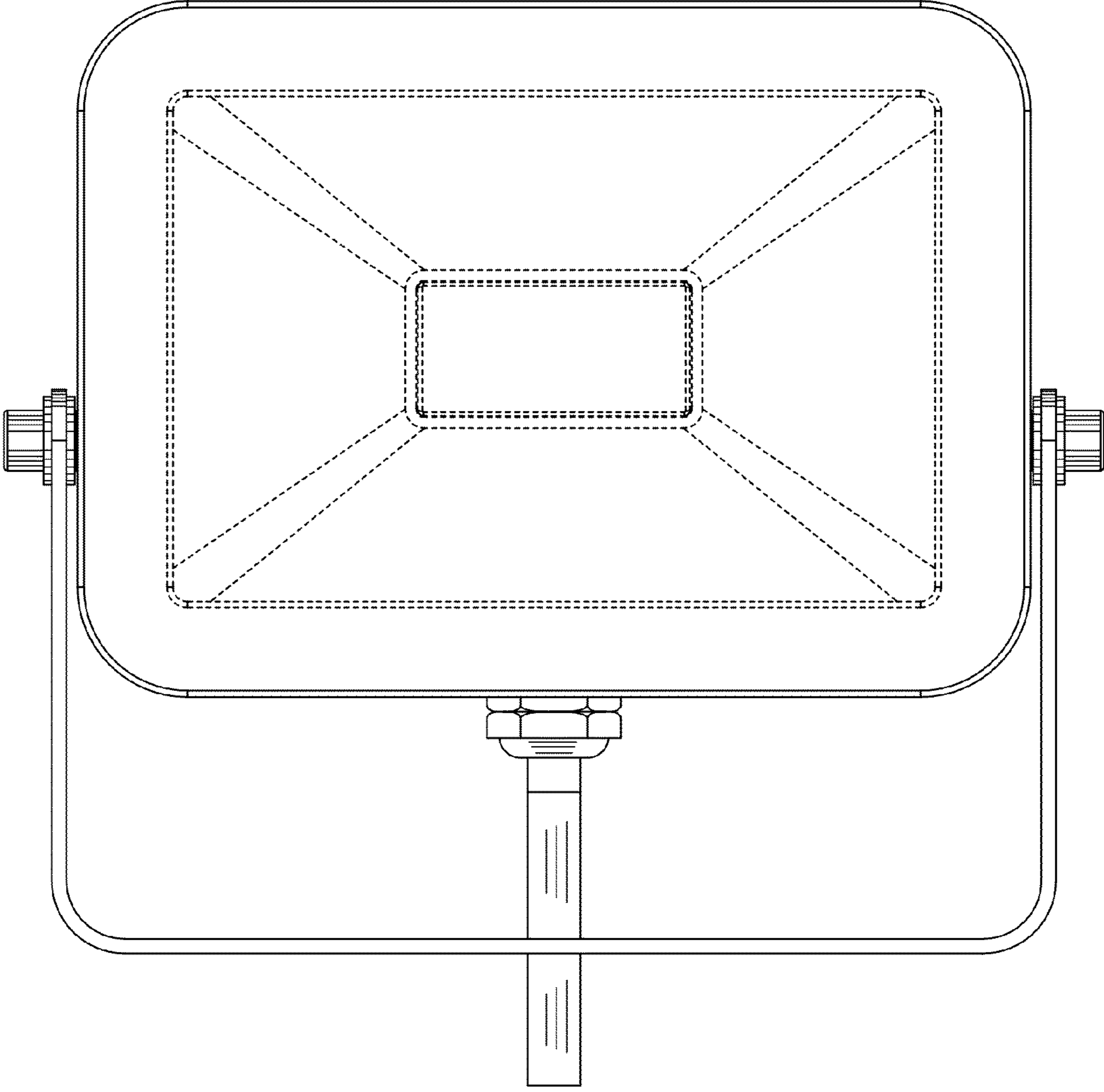


FIG.1

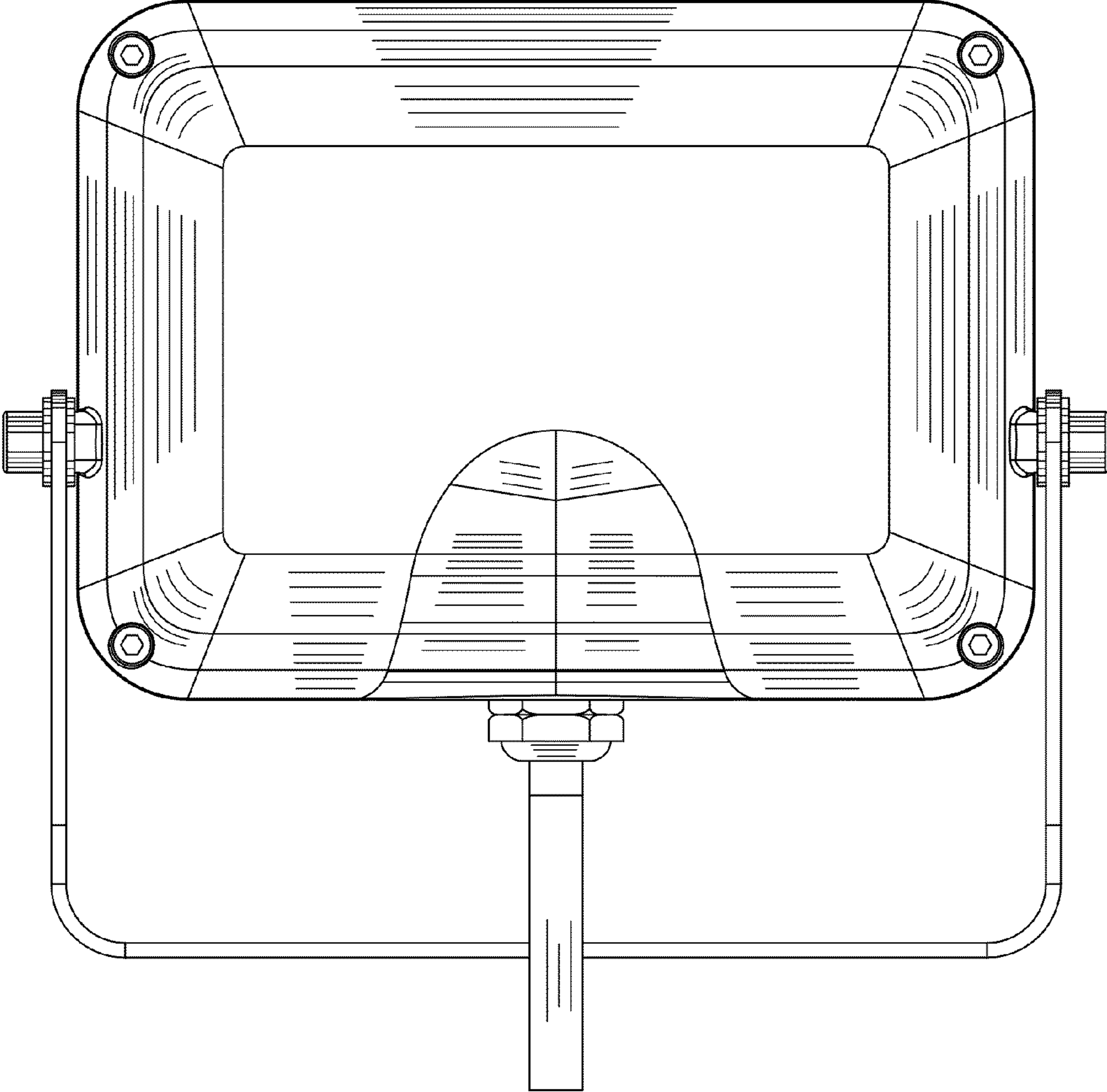


FIG.2

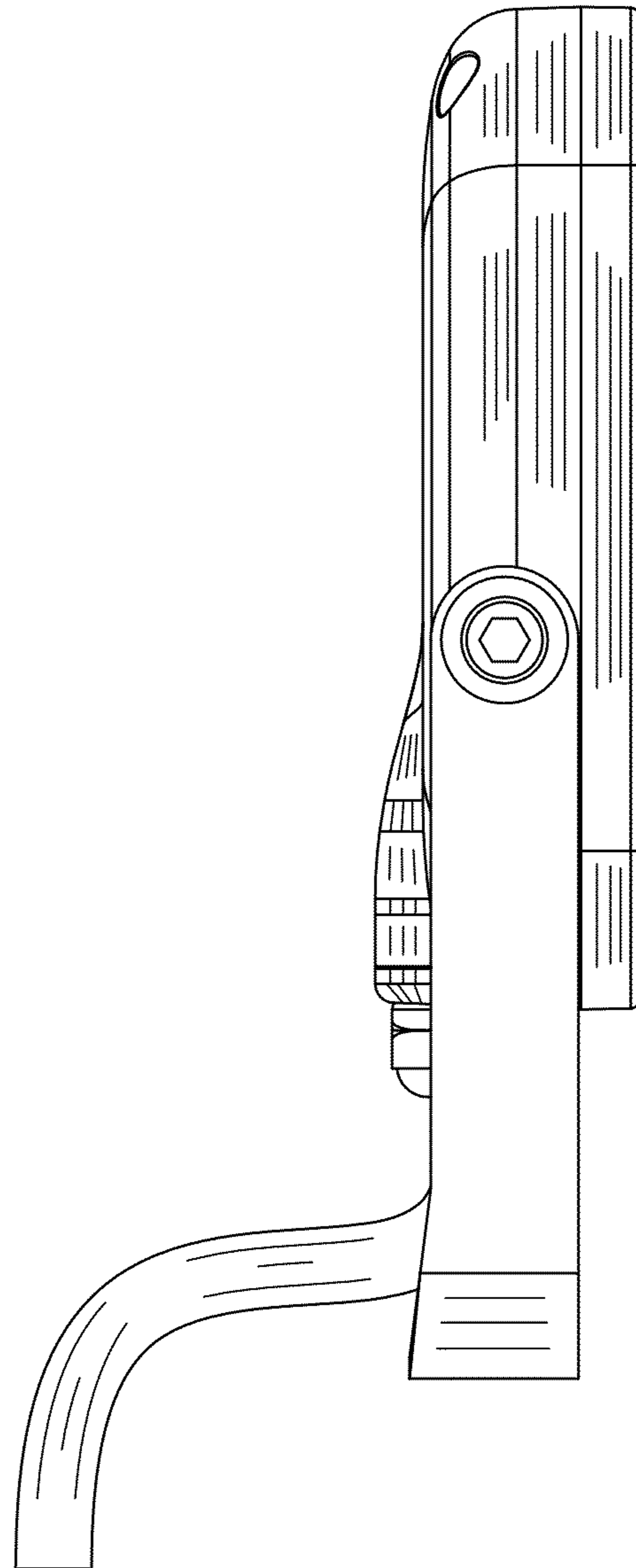


FIG. 3

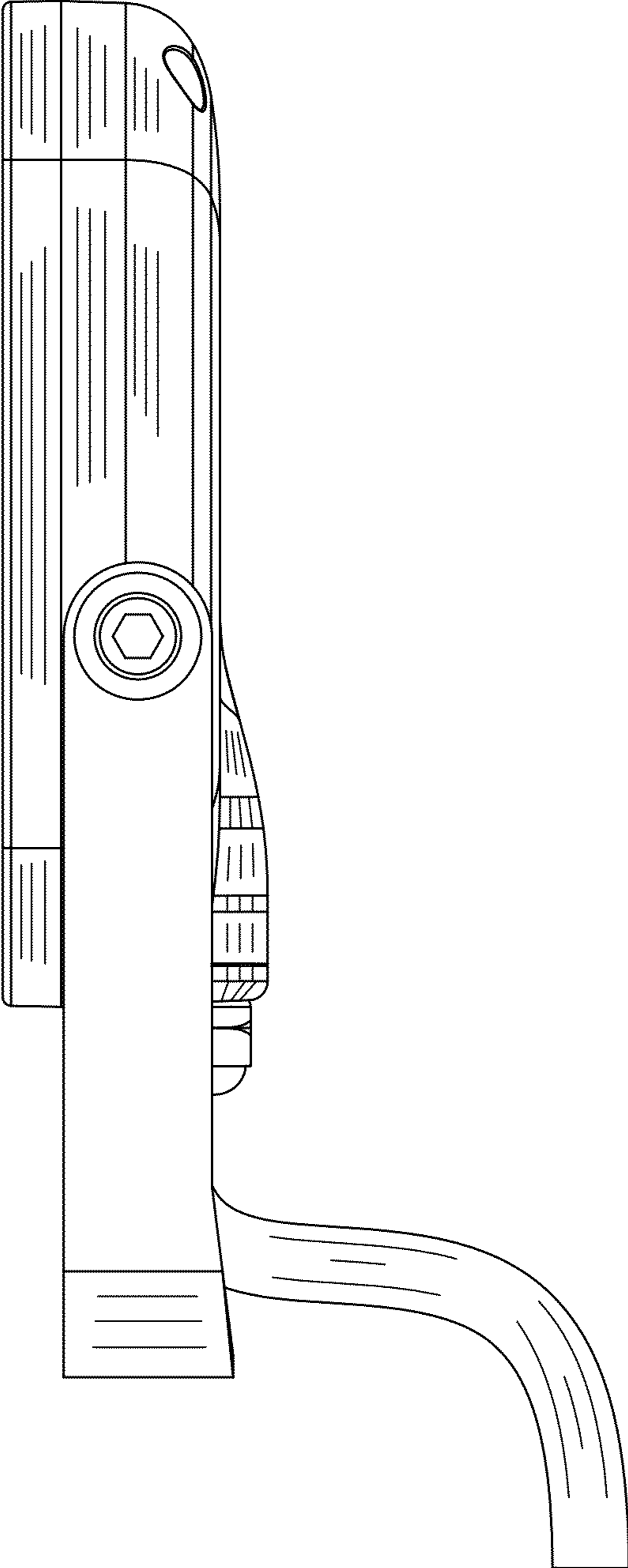


FIG. 4

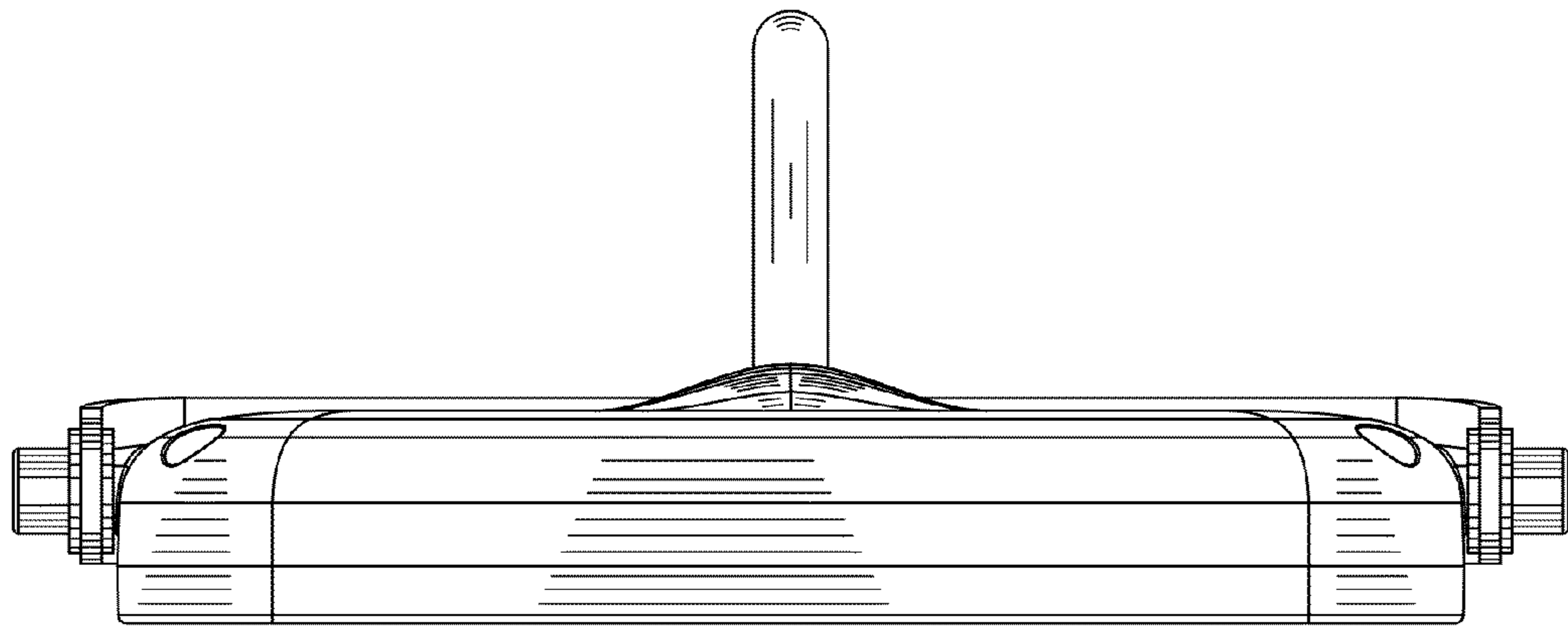


FIG. 5

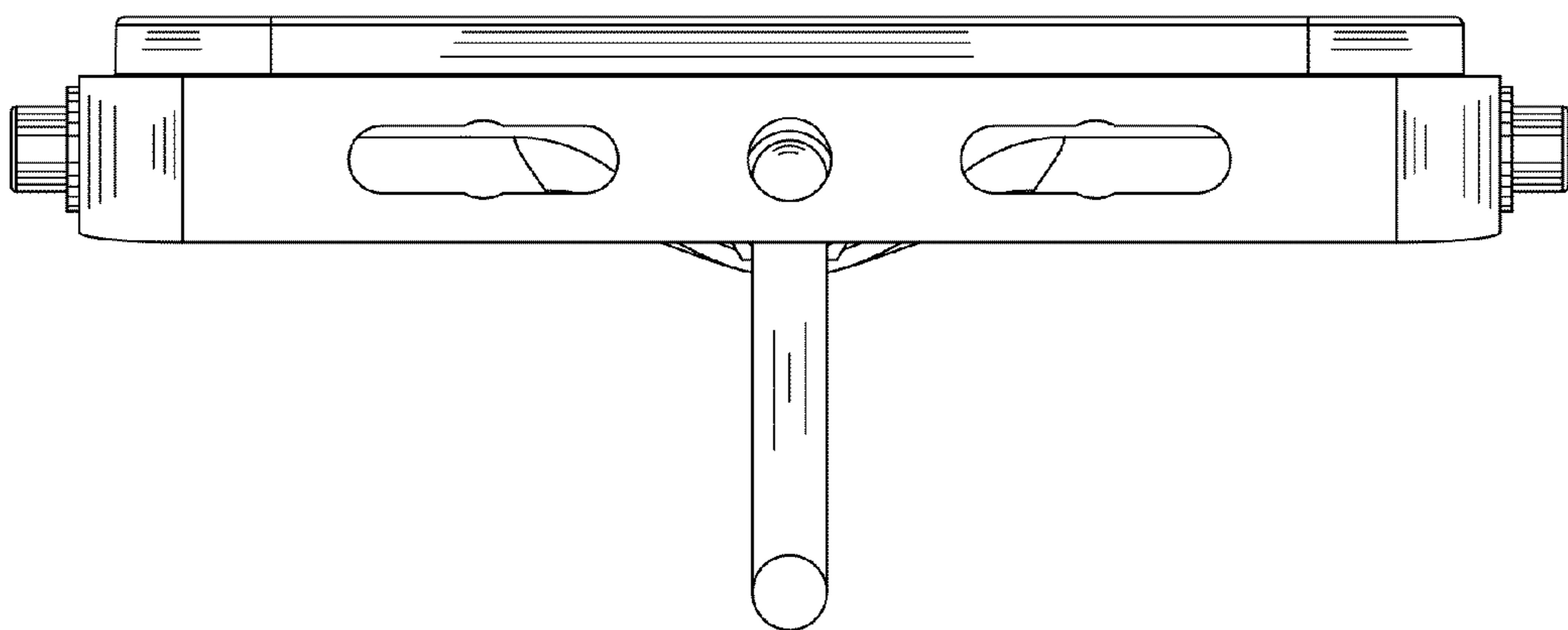


FIG. 6

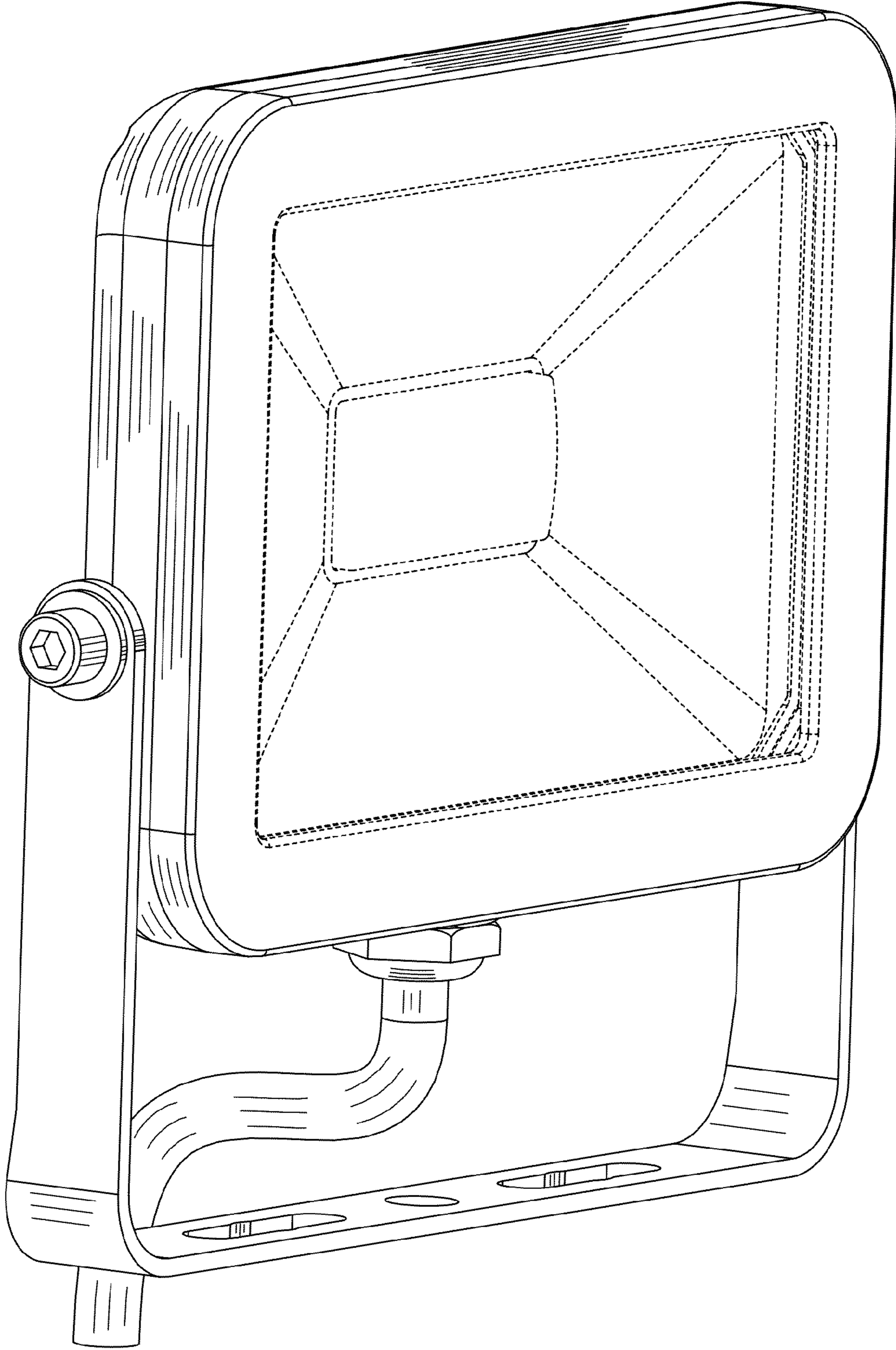


FIG. 7

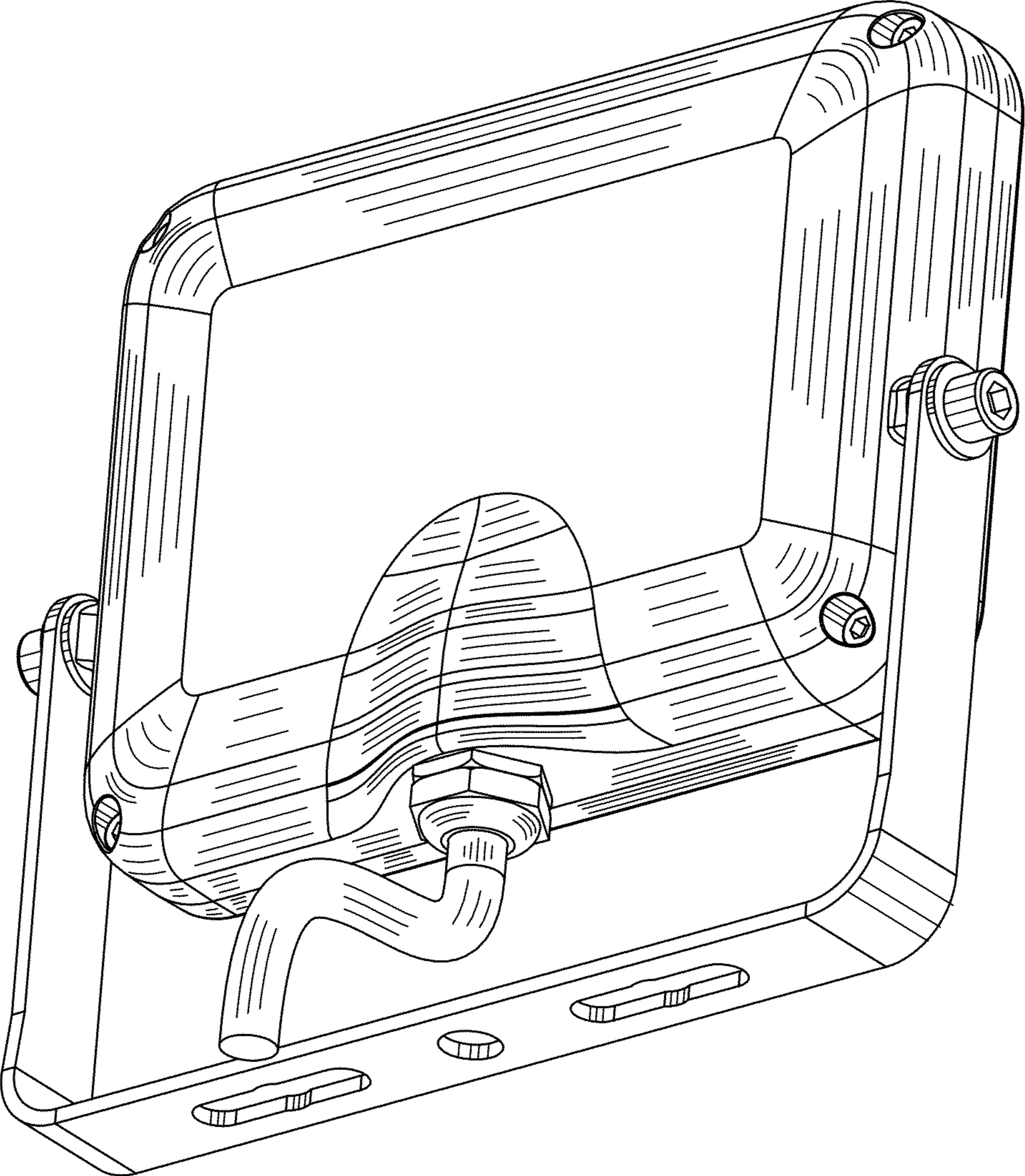


FIG. 8