



US00D747525S

(12) **United States Design Patent**  
**Guercio et al.**

(10) **Patent No.:** **US D747,525 S**  
(45) **Date of Patent:** **\*\* Jan. 12, 2016**

(54) **OUTDOOR BULLET-SHAPED LED LIGHT  
FIXTURE**

(74) *Attorney, Agent, or Firm* — SmithAmundsen LLC;  
Kelly J. Smith; Dennis S. Schell

(71) Applicant: **RAB Lighting Inc.**, Northvale, NJ (US)

(72) Inventors: **Vincenzo Guercio**, Wallkill, NY (US);  
**James Lau**, New York, NY (US)

(73) Assignee: **RAB Lighting Inc.**, Northvale, NJ (US)

(\*\*) Term: **14 Years**

(21) Appl. No.: **29/486,399**

(22) Filed: **Mar. 28, 2014**

(51) **LOC (10) Cl.** ..... **26-03**

(52) **U.S. Cl.**  
USPC ..... **D26/63**

(58) **Field of Classification Search**  
USPC ..... D26/1, 24, 61, 63, 65, 85, 92  
CPC ..... F21V 21/14; F21V 15/01; F21V 14/02;  
F21V 21/30; F21V 21/00; F21V 14/00;  
F21S 8/00; F21S 8/003; F21S 8/043; F21Y  
2105/001  
See application file for complete search history.

(56) **References Cited**

**U.S. PATENT DOCUMENTS**

D370,070 S *	5/1996	Kay	.....	D26/63
D400,997 S	11/1998	Cheun et al.		
D414,579 S *	9/1999	Denison et al.	.....	D26/63
D417,519 S *	12/1999	Cutler	.....	D26/63
D427,696 S *	7/2000	Scott et al.	.....	D26/28
D435,925 S *	1/2001	Hiller et al.	.....	D26/63
D507,668 S *	7/2005	Kwong	.....	D26/63
D509,842 S	9/2005	Ou		
D574,532 S *	8/2008	Lee et al.	.....	D26/63
D590,979 S *	4/2009	Mullen	.....	D26/63

(Continued)

*Primary Examiner* — Brian N Vinson

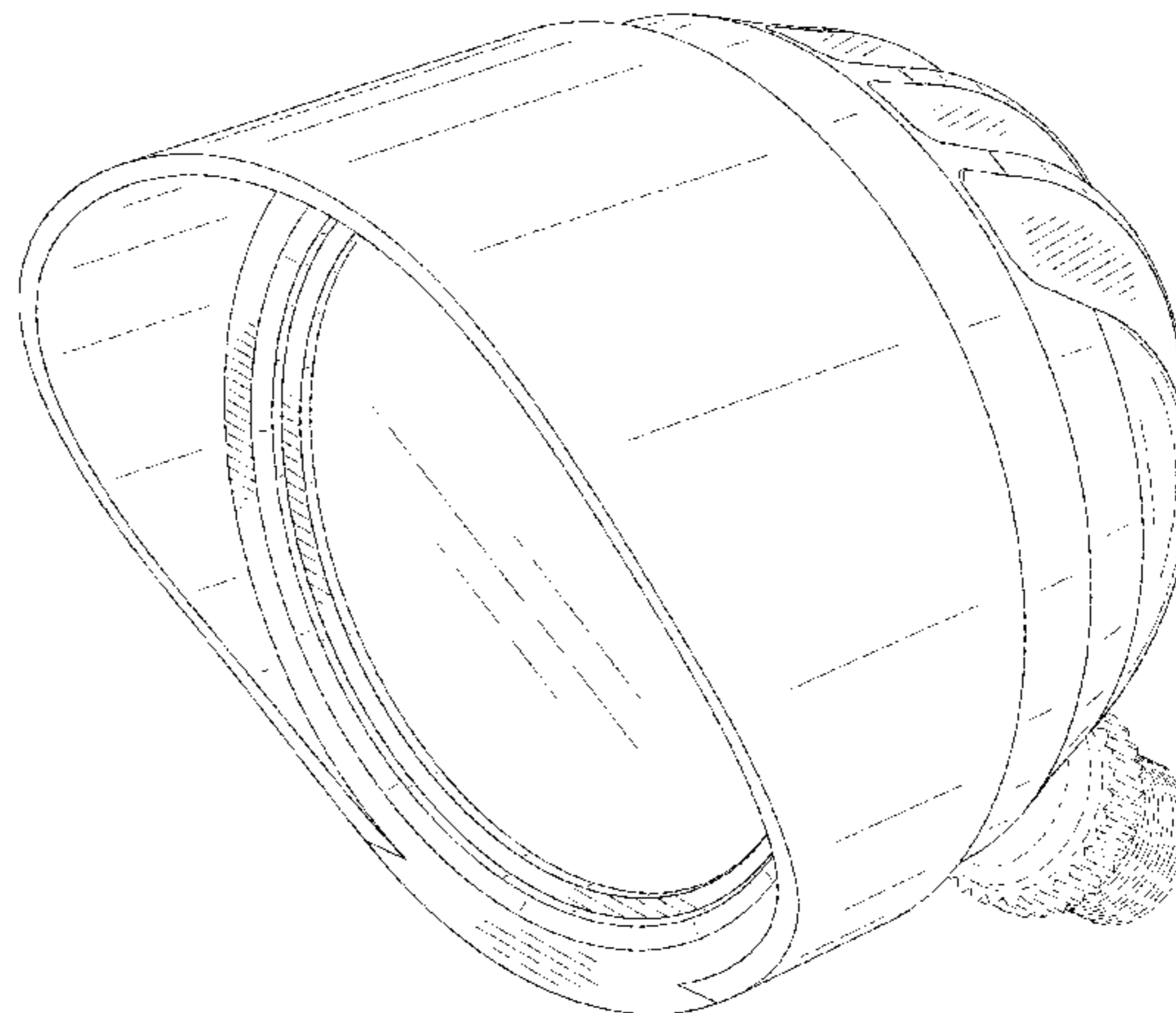
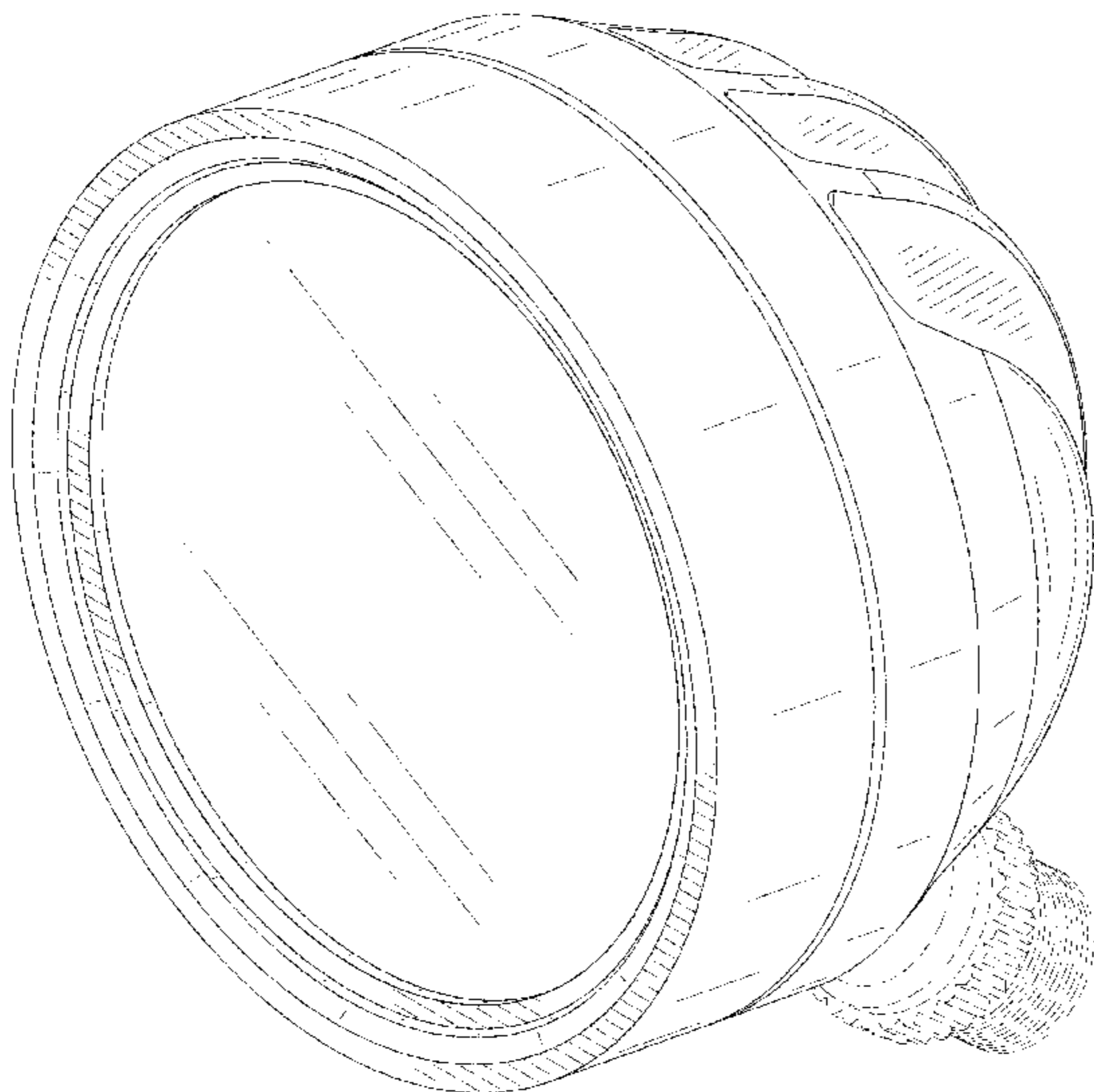
(57) **CLAIM**  
The ornamental design for an outdoor bullet-shaped LED light fixture, substantially as shown and described.

**DESCRIPTION**

FIG. 1 is a front perspective view of a first embodiment of the new design;  
FIG. 2 is a left side perspective view of the first embodiment;  
FIG. 3 is a right side perspective view of the first embodiment;  
FIG. 4 is a front view of the first embodiment;  
FIG. 5 is a back view of the first embodiment;  
FIG. 6 is a left side view of the first embodiment;  
FIG. 7 is a right side view of the first embodiment;  
FIG. 8 is a top view of the first embodiment;  
FIG. 9 is a bottom view of the first embodiment;  
FIG. 10 is a front perspective view of a second embodiment of the new design;  
FIG. 11 is a left side perspective view of the second embodiment;  
FIG. 12 is a right side perspective view of the second embodiment;  
FIG. 13 is a front view of the second embodiment;  
FIG. 14 is a back view of the second embodiment;  
FIG. 15 is a left side view of the second embodiment;  
FIG. 16 is a right side view of the second embodiment;  
FIG. 17 is a top view of the second embodiment; and,  
FIG. 18 is a bottom view of the second embodiment.

The design consists of the features of shape, ornament and configuration of the article shown in the drawings. The broken lines shown in the drawings are for the purpose of illustrating portions of the article that form no part of the claimed design.

**1 Claim, 18 Drawing Sheets**



(56)

**References Cited**

U.S. PATENT DOCUMENTS

D625,871 S *	10/2010	Huang	.....	D26/63	D665,527 S	8/2012	Harger	
D626,094 S	10/2010	Alexander et al.			D667,981 S *	9/2012	Connolly et al.	..... D26/63
D642,703 S	8/2011	Li et al.			D676,190 S	2/2013	Guercio et al.	
D659,871 S *	5/2012	Lee et al.	.....	D26/63	8,540,402 B2	9/2013	Guercio et al.	
					D698,477 S *	1/2014	Korpi	..... D26/63
					D723,726 S *	3/2015	Reed et al.	..... D26/63
					2009/0184646 A1	7/2009	Devaney et al.	

\* cited by examiner

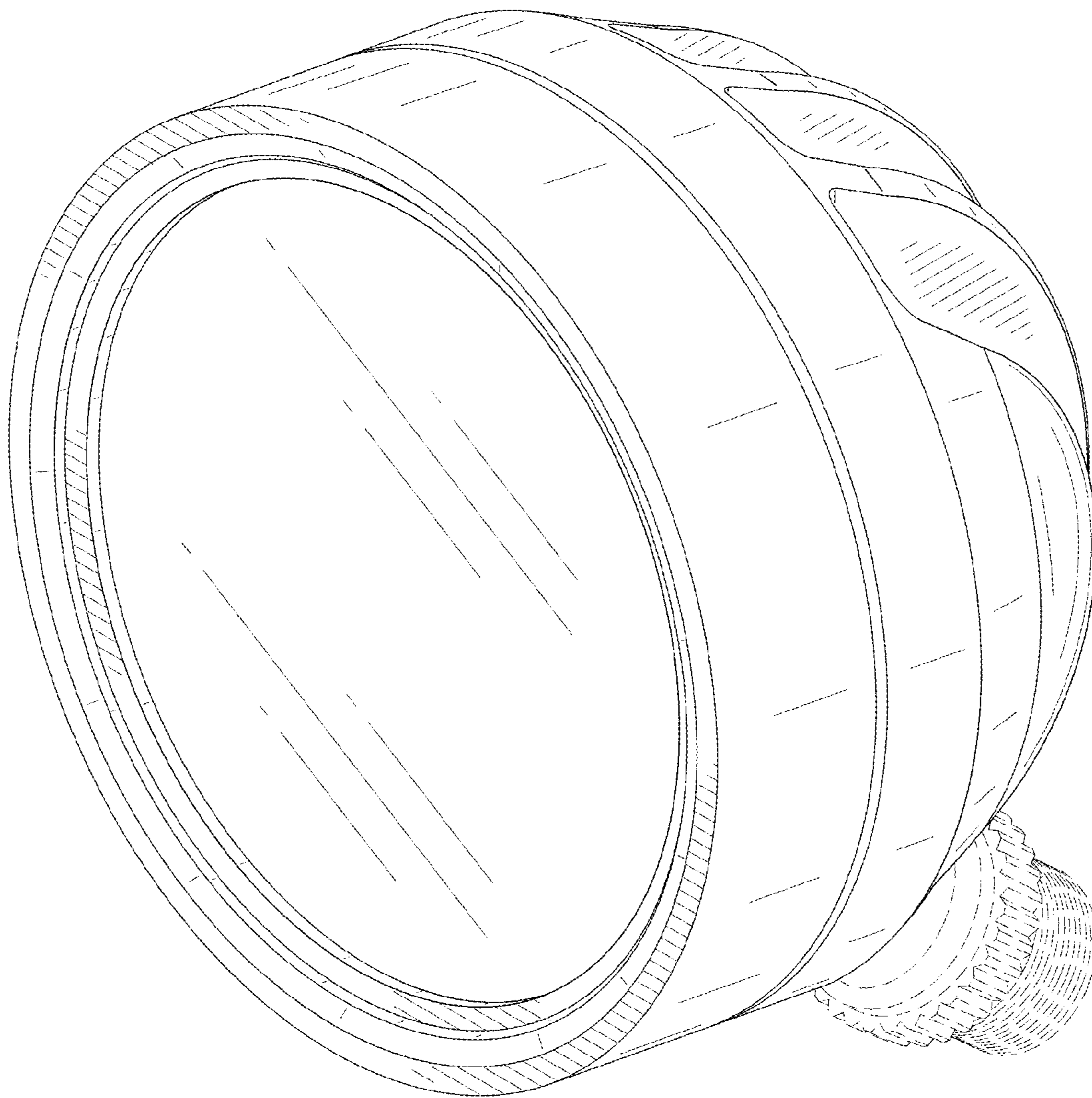


FIG. 1

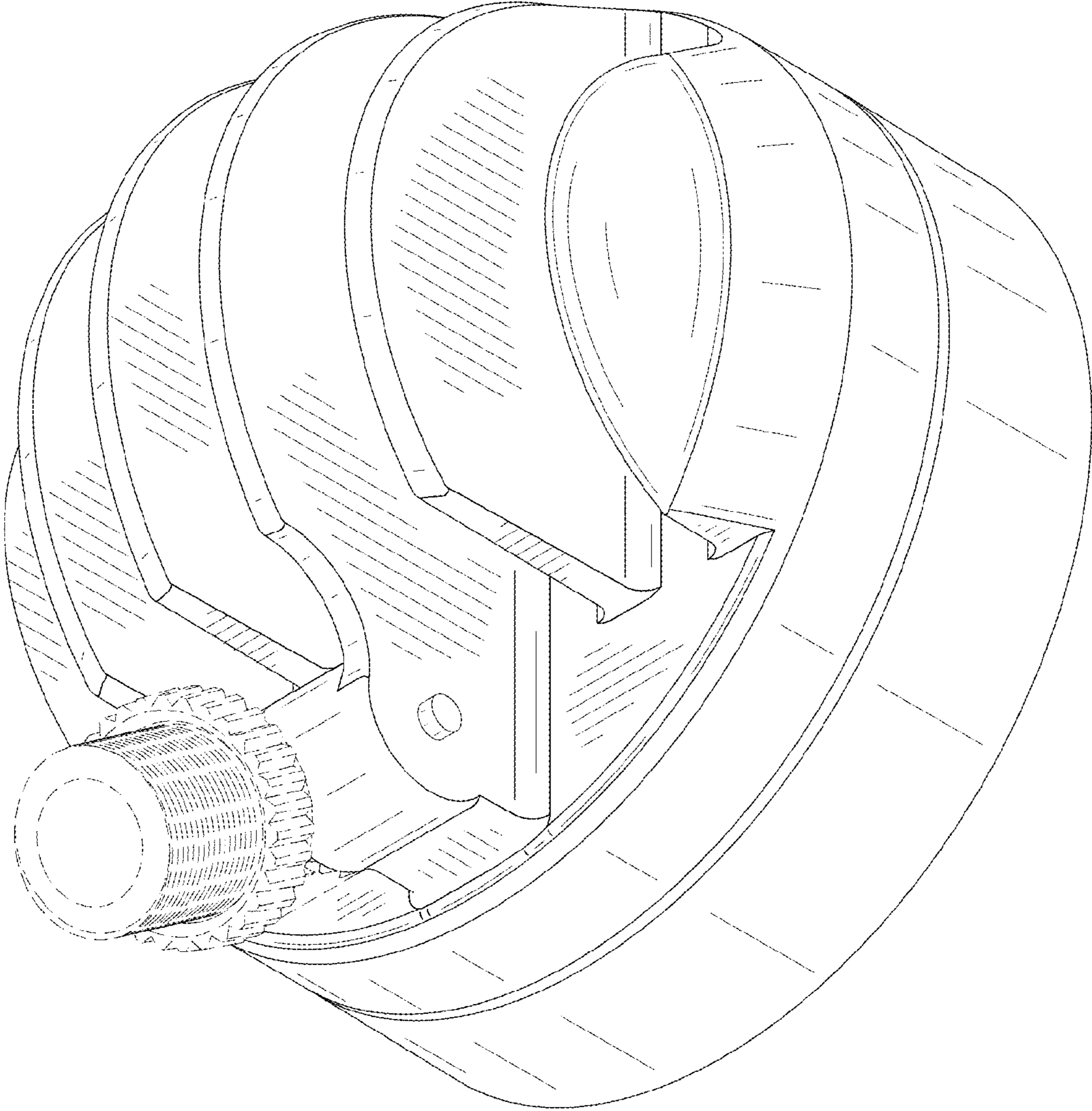


FIG. 2

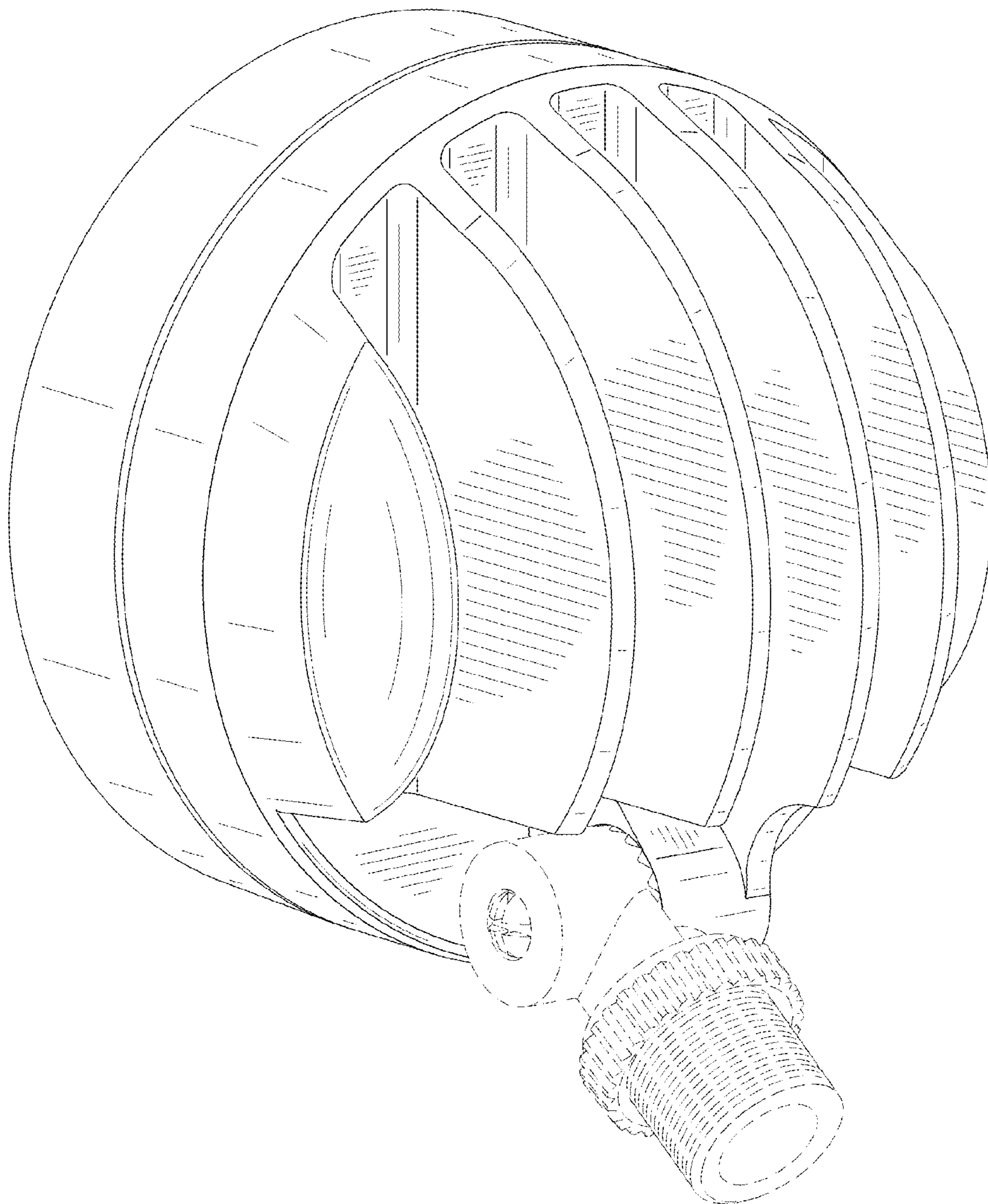


FIG. 3

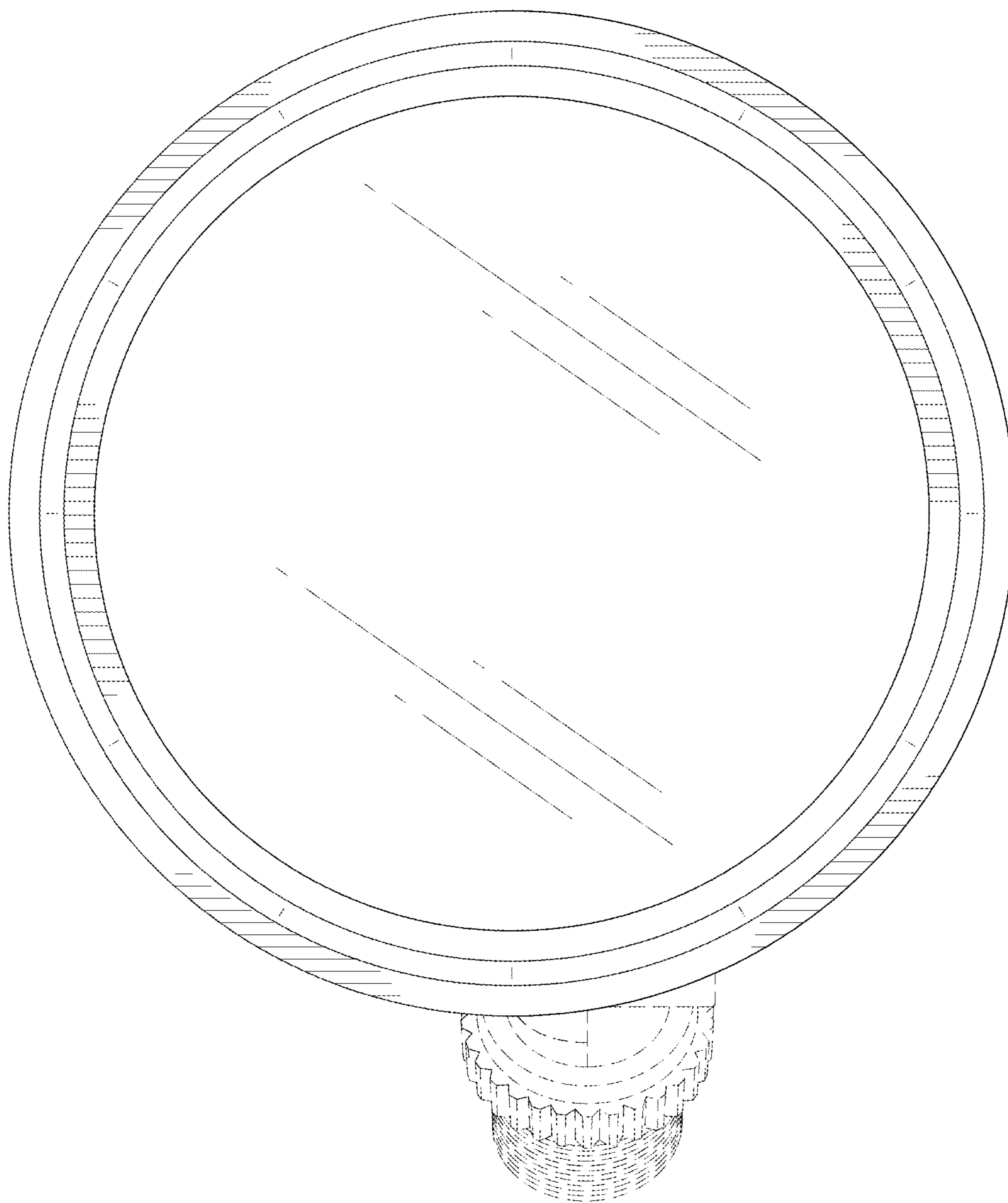


FIG. 4

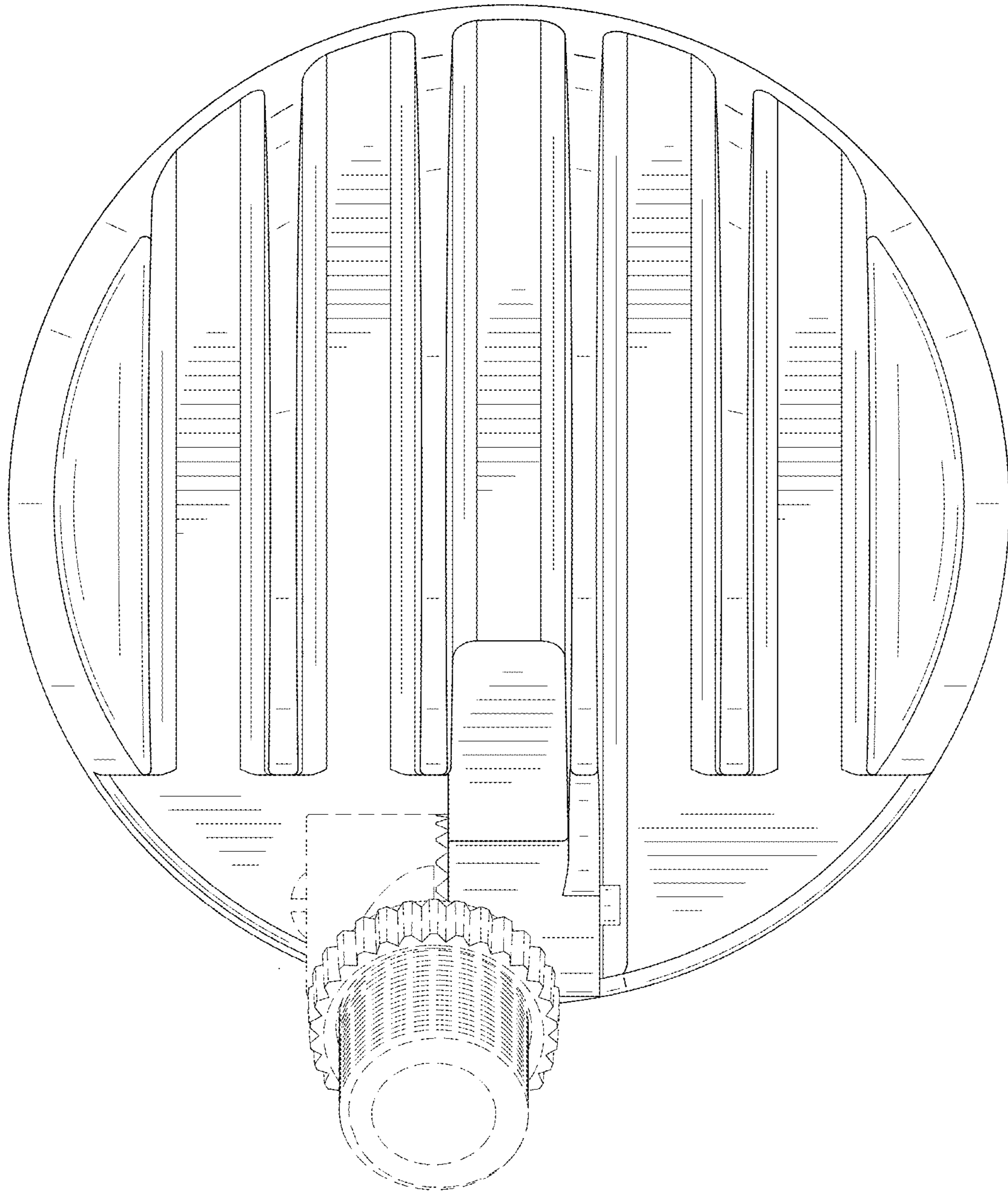


FIG. 5

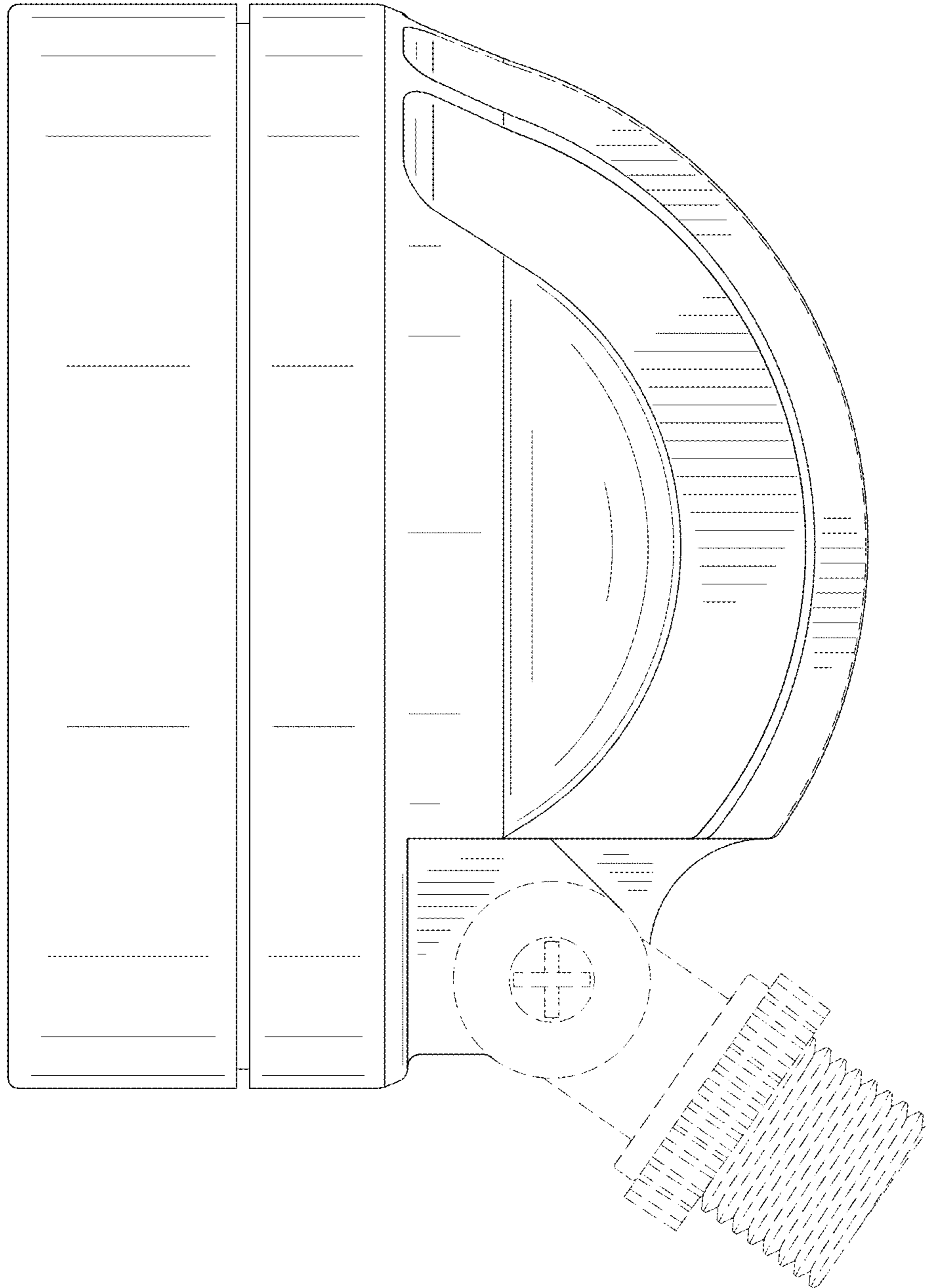


FIG. 6



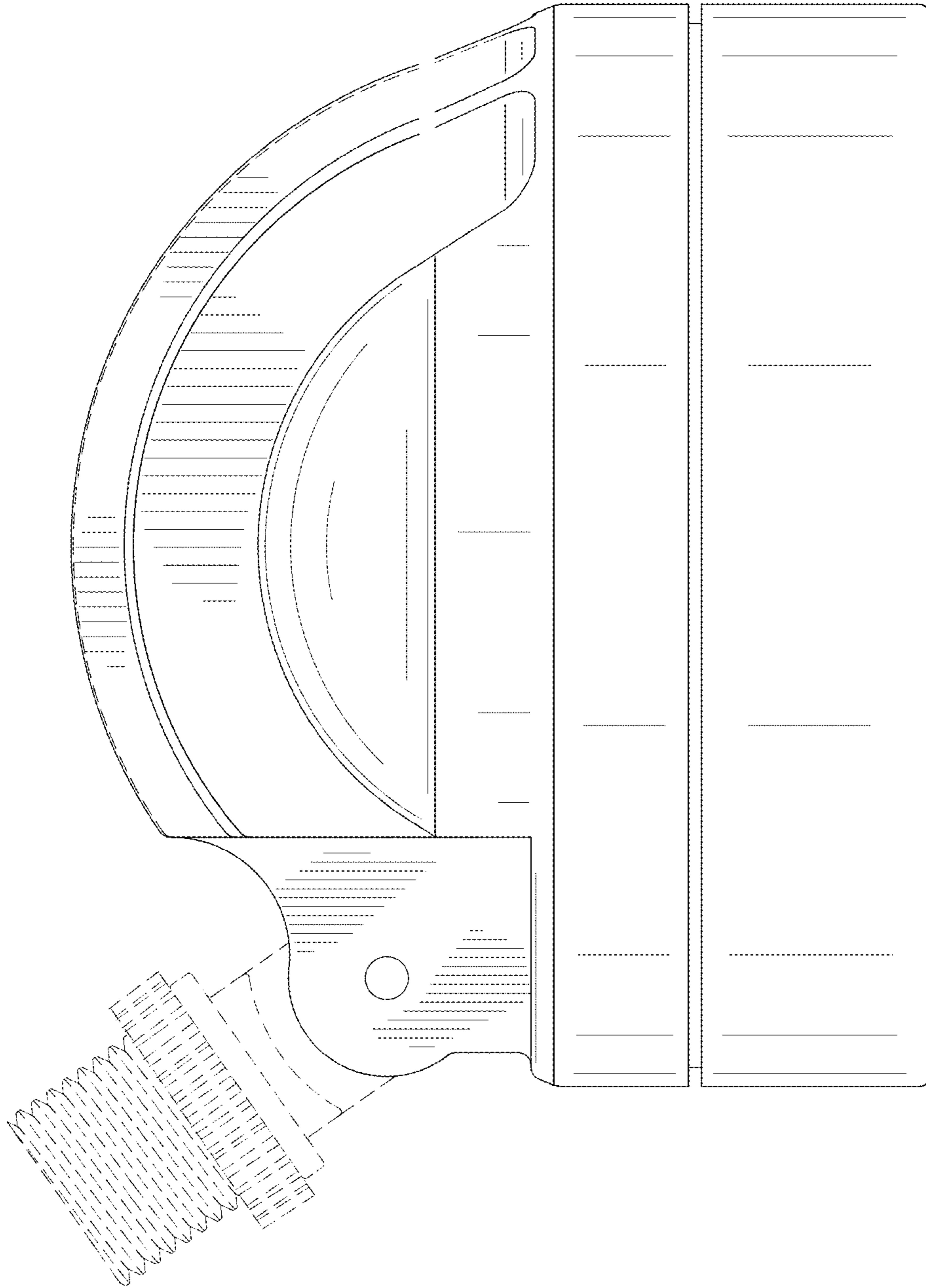


FIG. 7

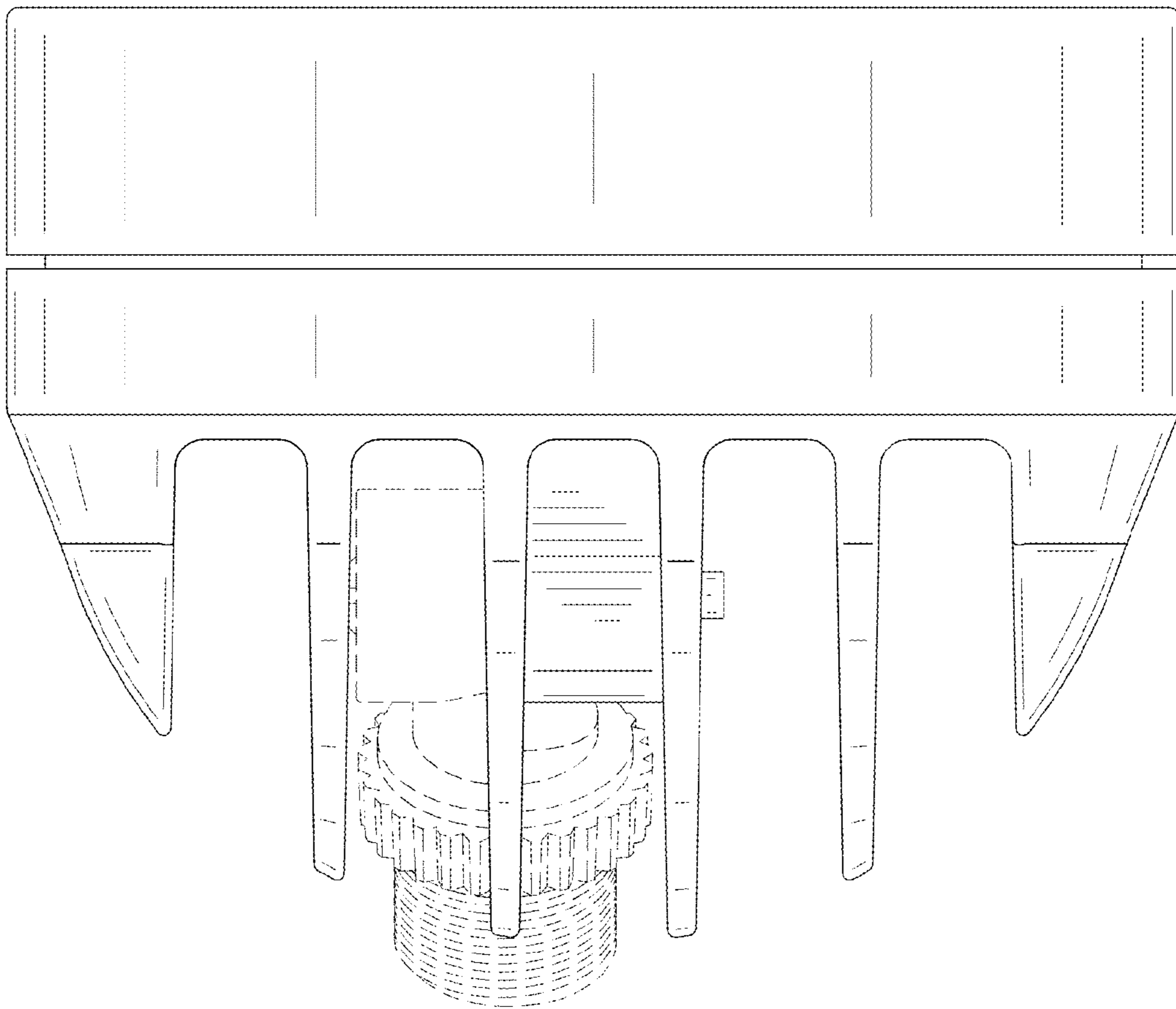


FIG. 8

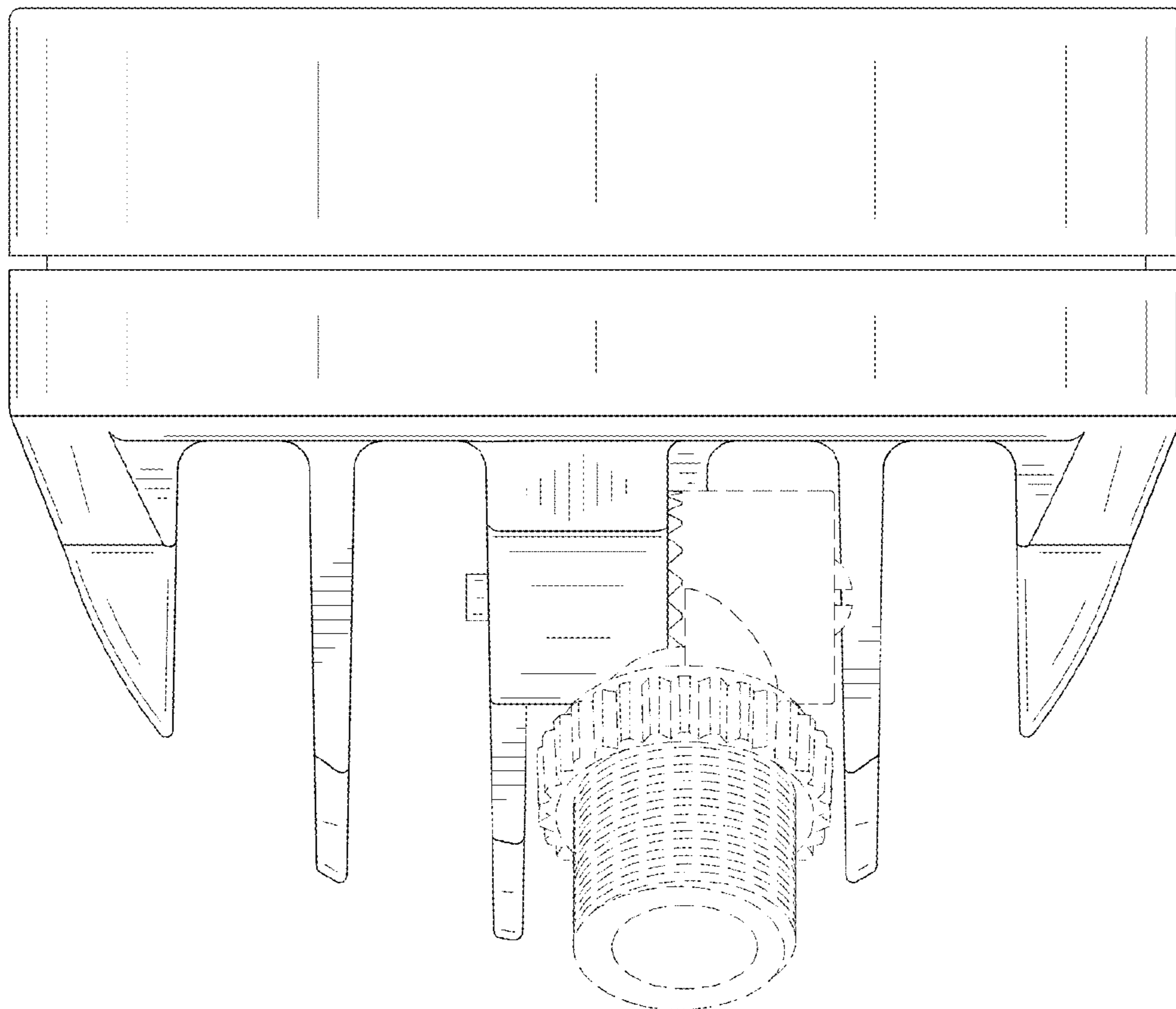


FIG. 9

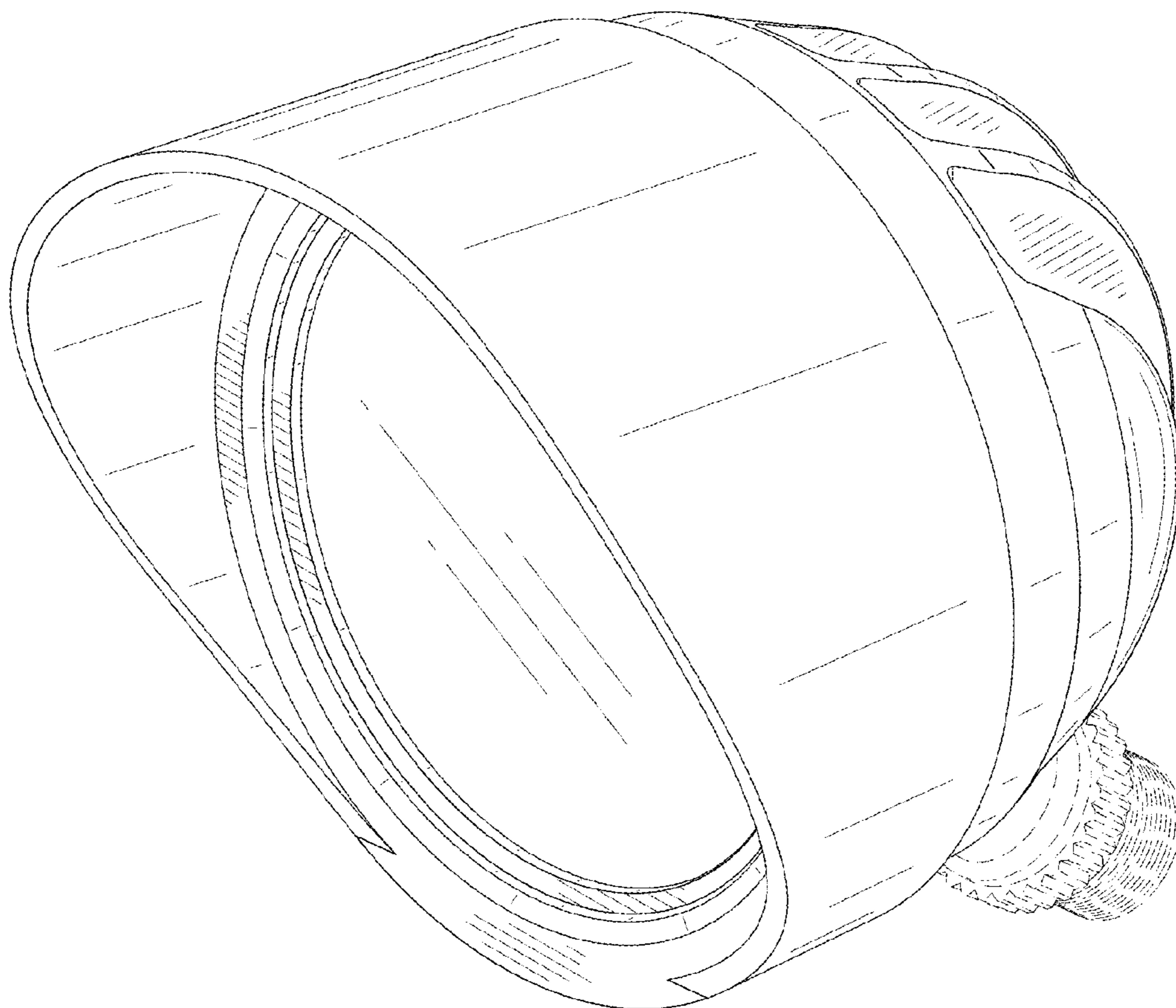


FIG. 10

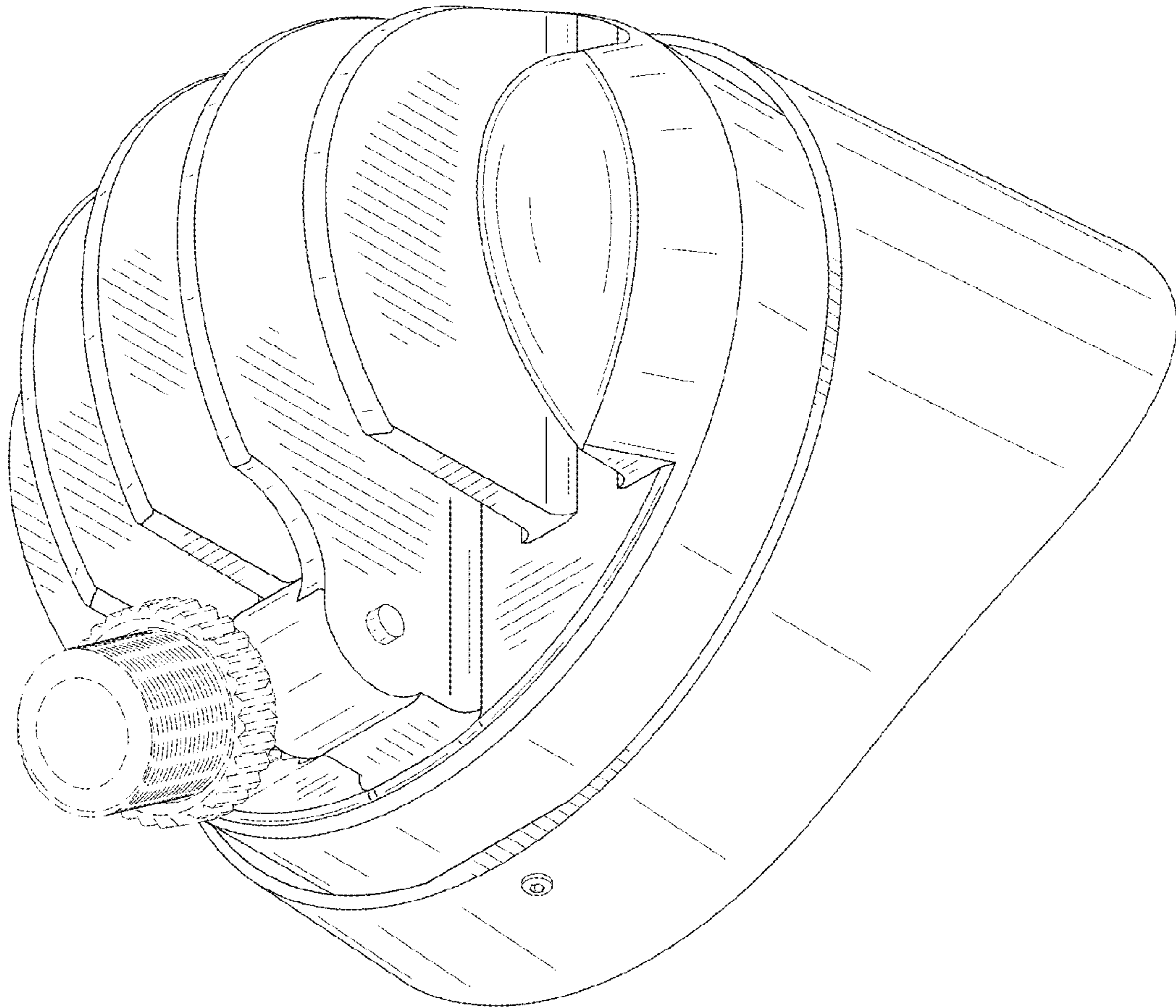


FIG. 11

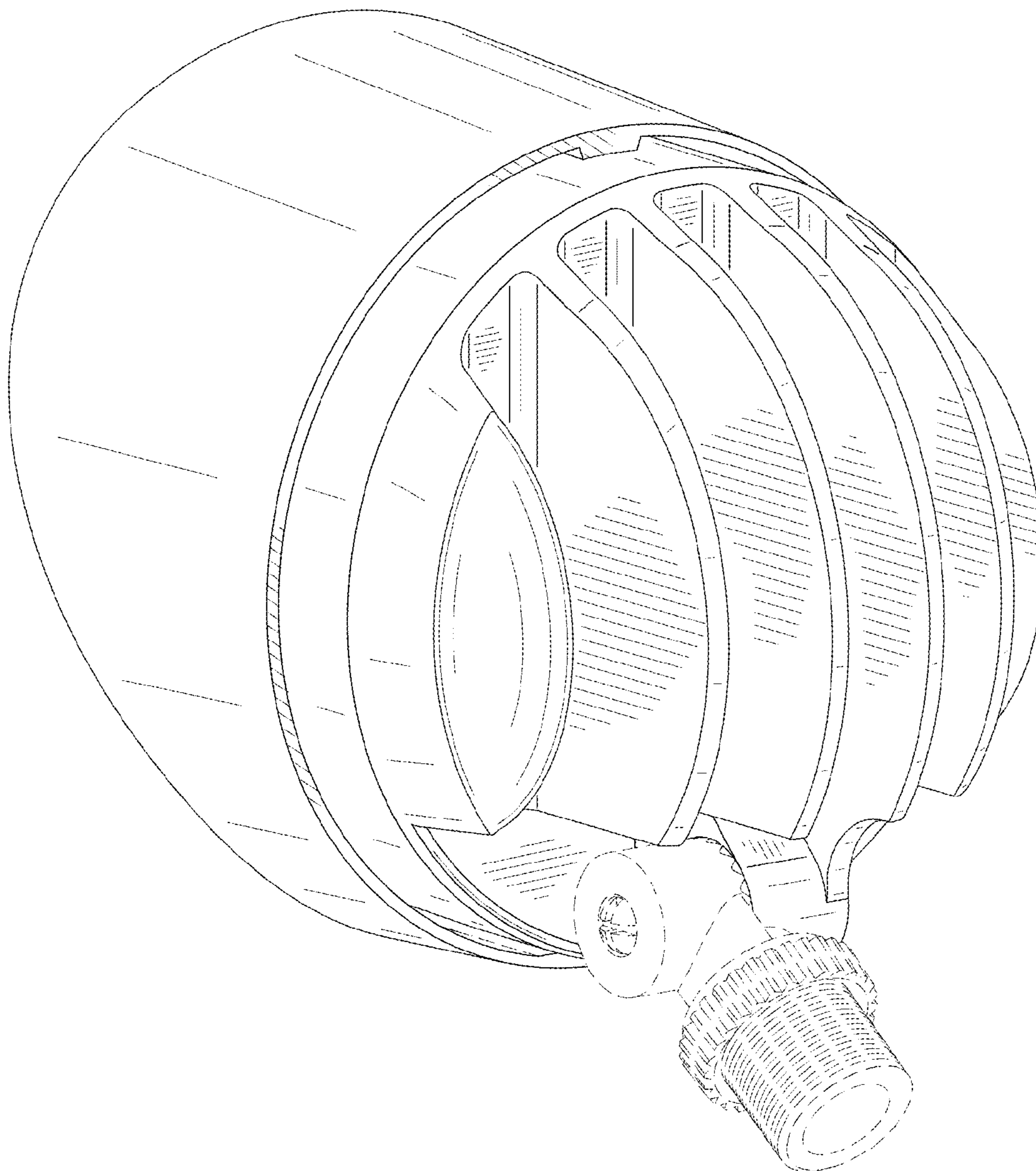


FIG. 12

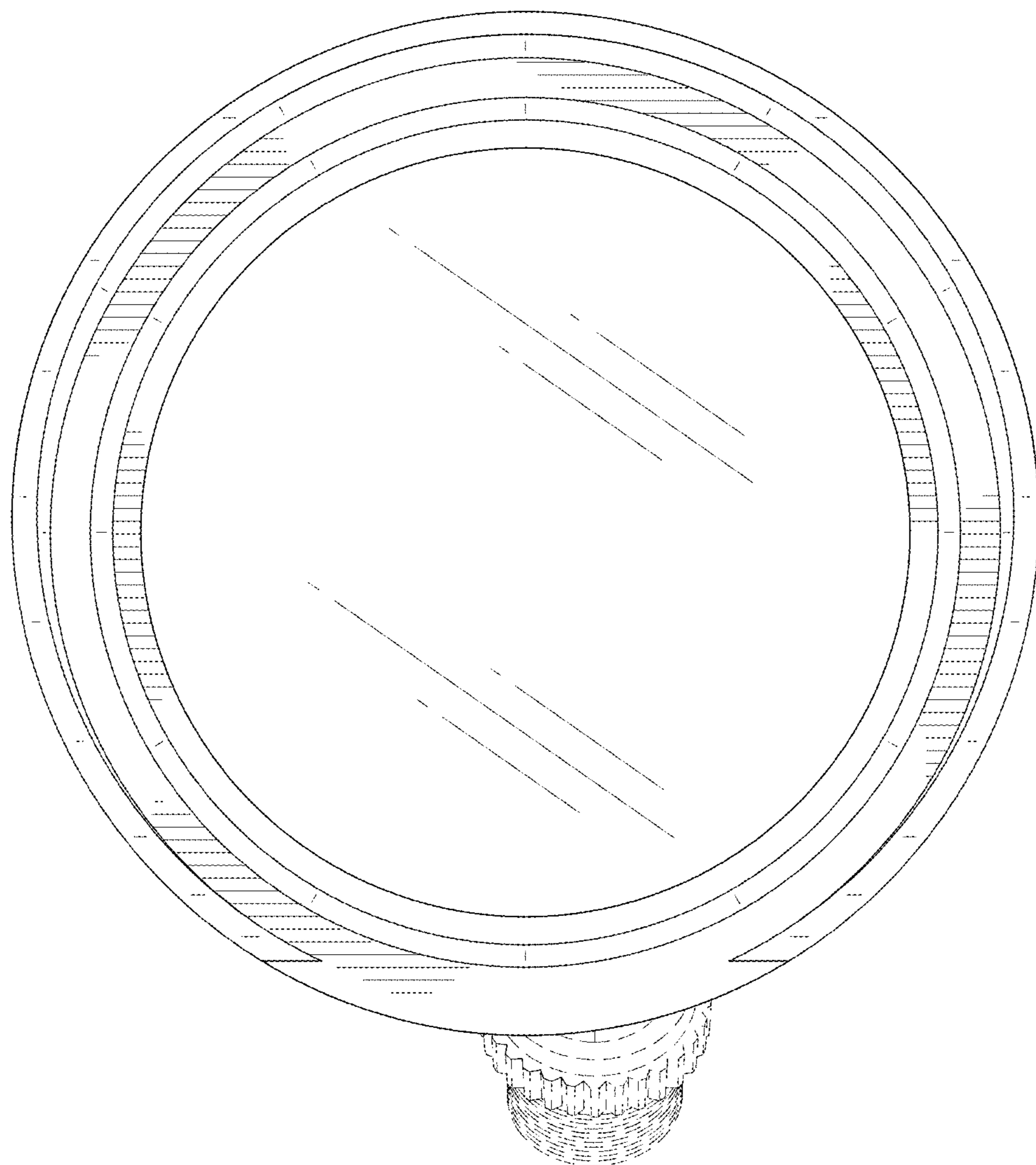


FIG. 13

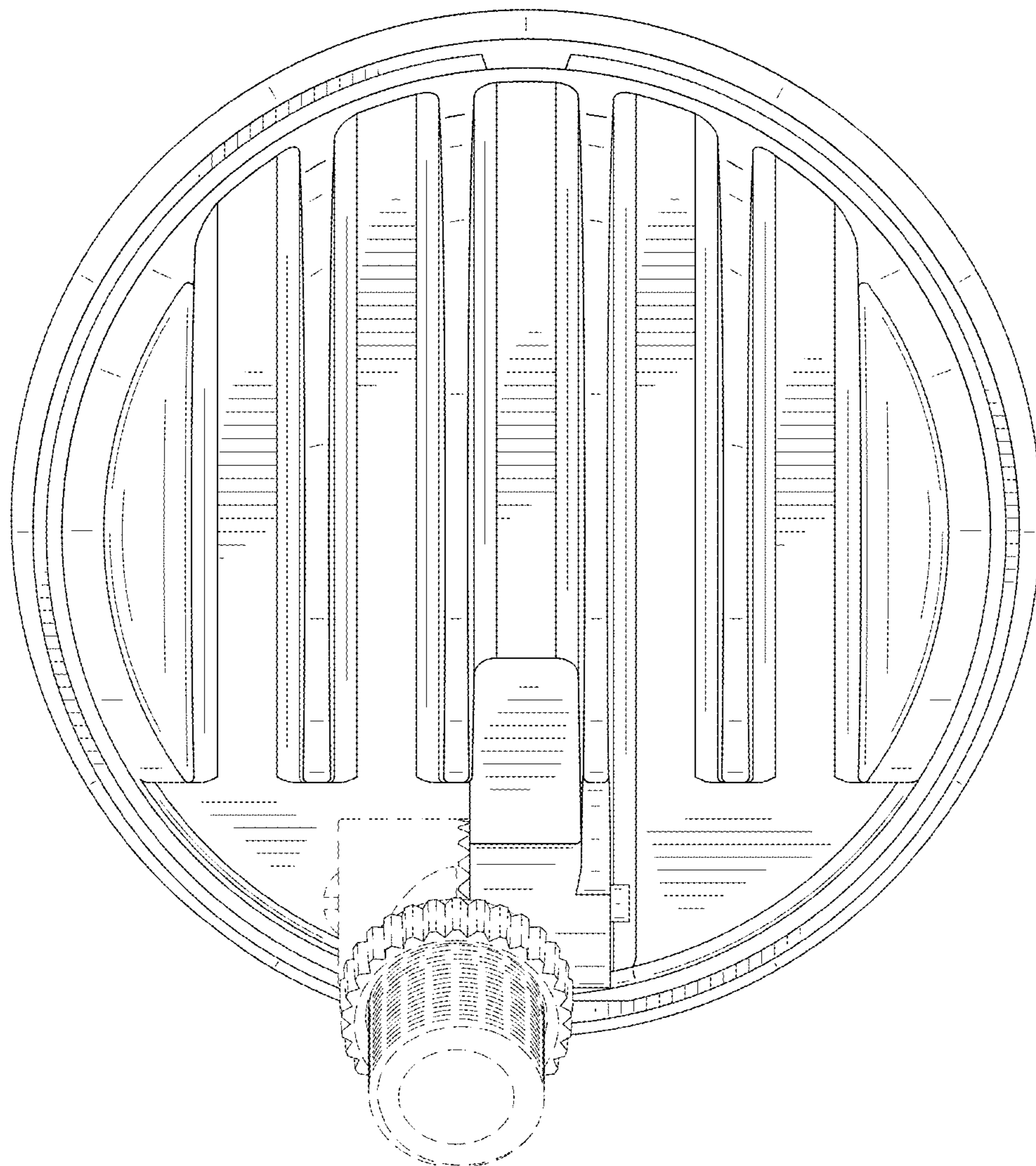


FIG. 14



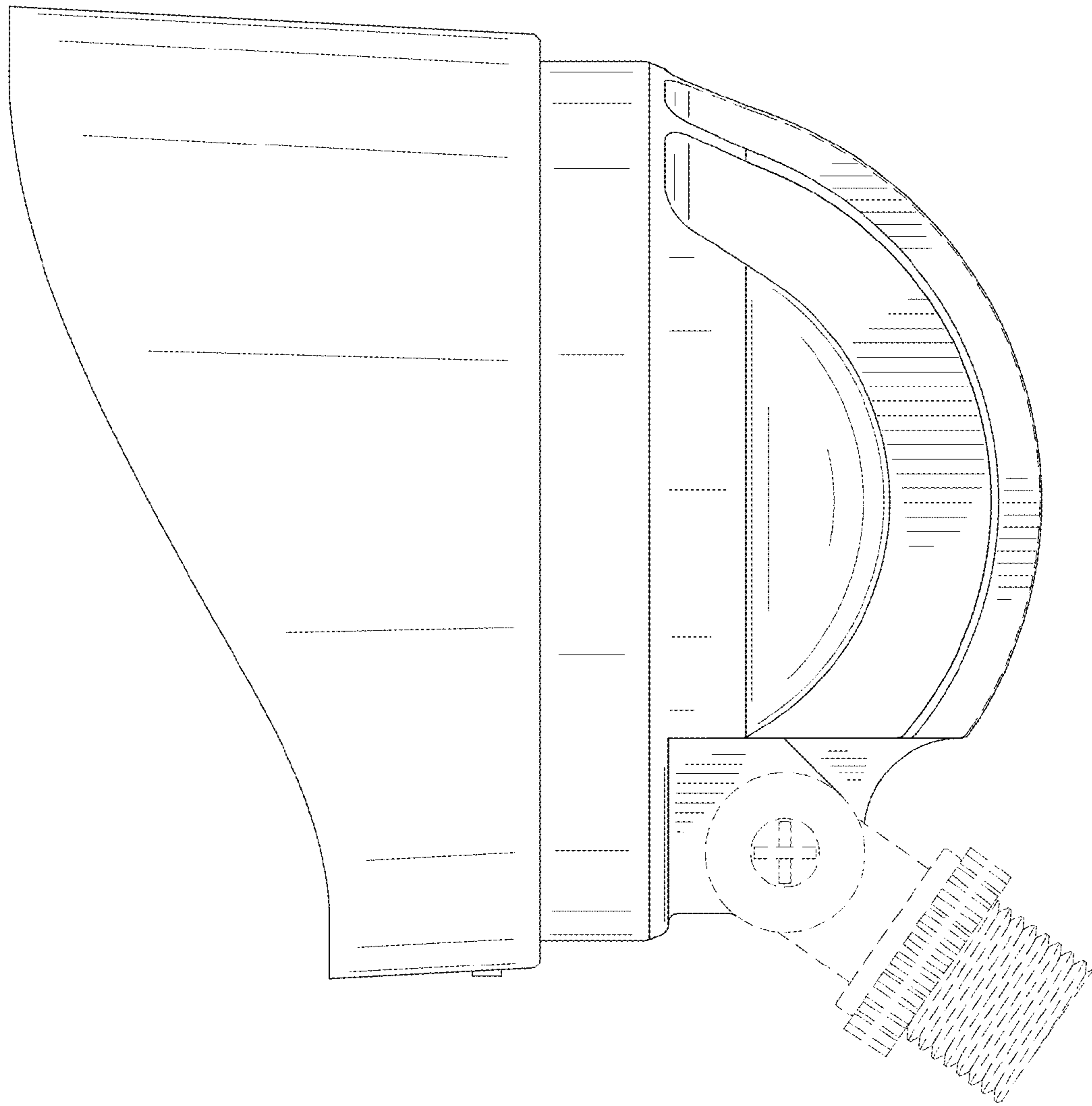


FIG. 15

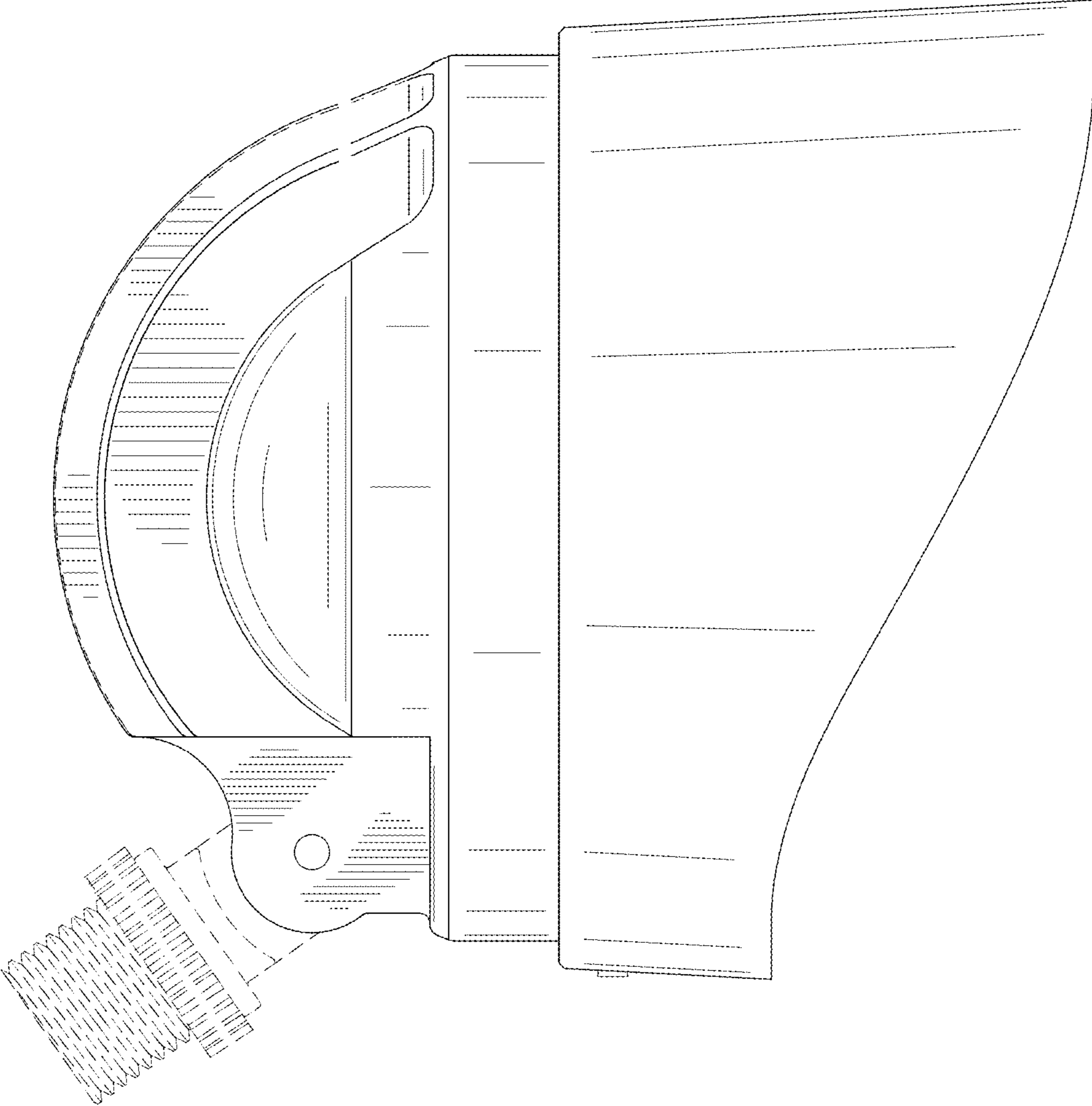


FIG. 16

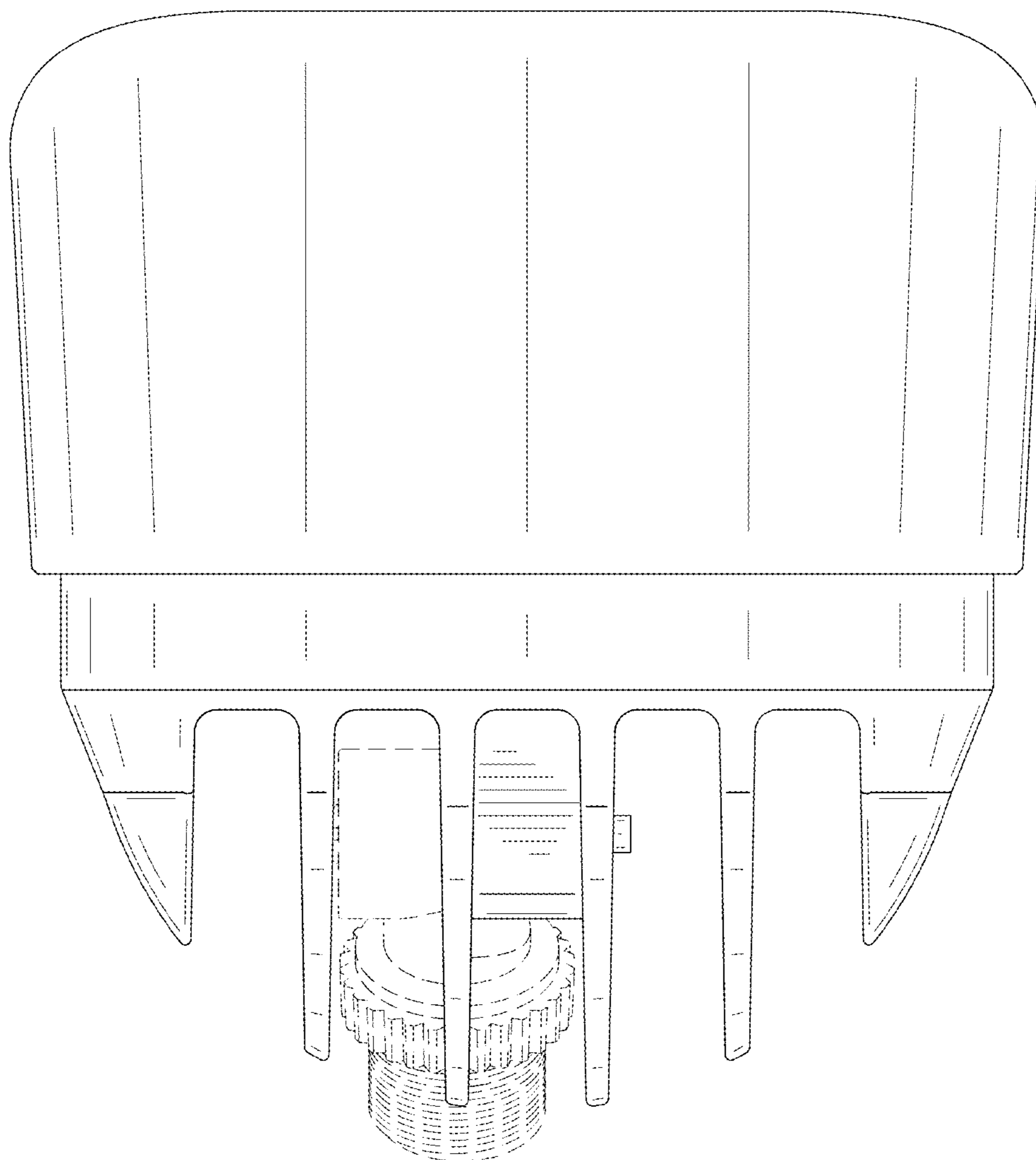


FIG. 17

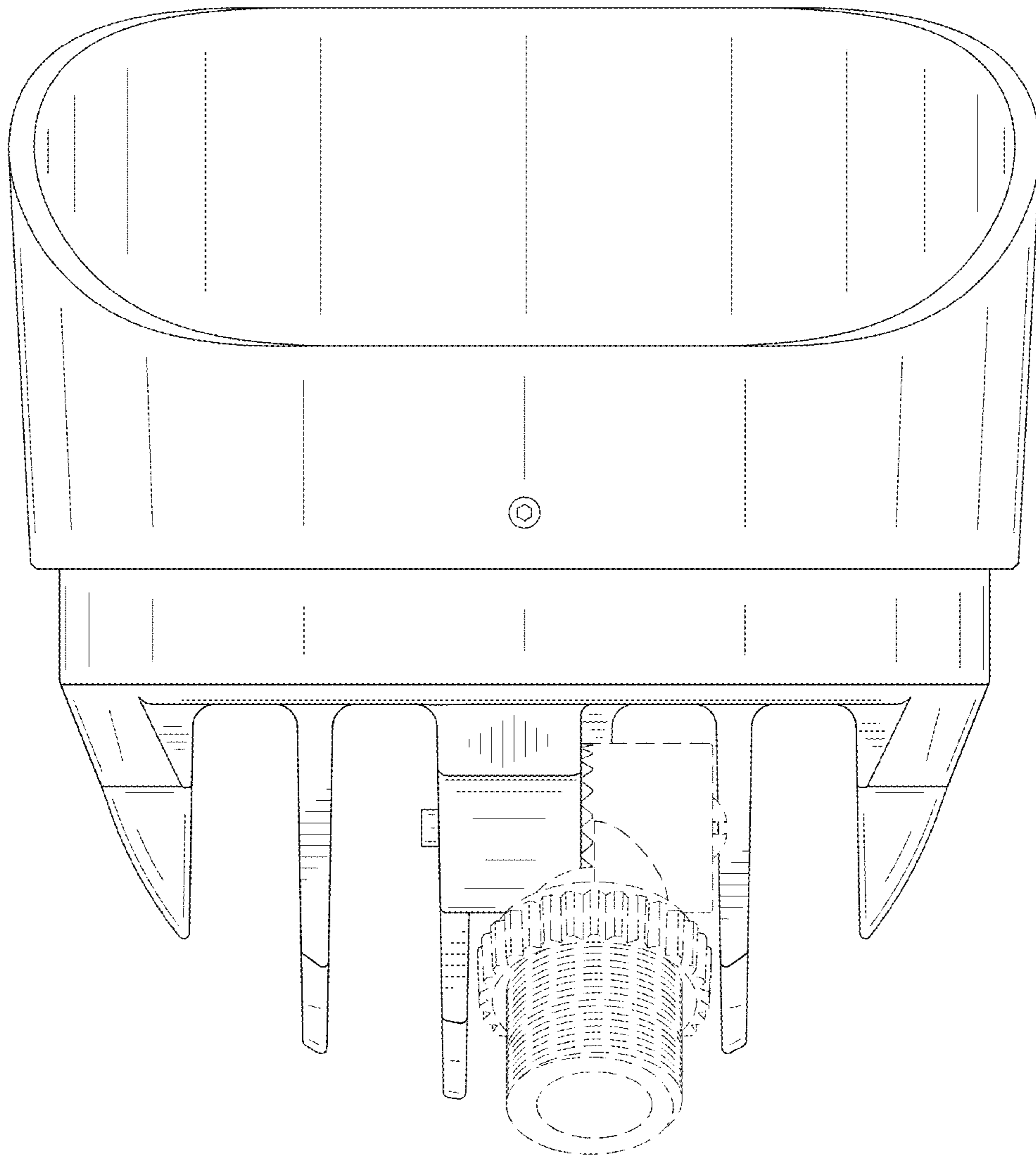


FIG. 18