



US00D747524S

(12) **United States Design Patent**
Jacq et al.

(10) **Patent No.:** **US D747,524 S**
(45) **Date of Patent:** **** Jan. 12, 2016**

(54) **LIGHTING DEVICE**

(56) **References Cited**

(71) Applicant: **VALEO VISION**, Bobigny (FR)
(72) Inventors: **Alain Jacq**, Le Perreux sur Marne (FR);
Maxime Rasschaert, Fontaine le Port
(FR); **Zhi Zhong**, Wuhan (CN); **Eric**
Moisy, Jaen (ES); **Laurent Sauzay**,
Villejuif (FR)

U.S. PATENT DOCUMENTS

D235,227 S * 5/1975 Cleary D26/63
D360,961 S * 8/1995 Czerlanis et al. D26/63
D417,024 S * 11/1999 Stuyfzand D26/63
D613,440 S * 4/2010 Lindholm D26/63
D693,500 S * 11/2013 Souvay et al. D26/61
D694,928 S * 12/2013 Chen D26/63

* cited by examiner

(73) Assignee: **VALEO VISION**, Bobigny (FR)

Primary Examiner — Brian N Vinson

(**) Term: **14 Years**

(74) *Attorney, Agent, or Firm* — Oblon, McClelland, Maier
& Neustadt, L.L.P.

(21) Appl. No.: **29/462,943**

(57) **CLAIM**

(22) Filed: **Aug. 9, 2013**

The ornamental design for a lighting device, as shown and
described.

(30) **Foreign Application Priority Data**

DESCRIPTION

Feb. 15, 2013 (WO) DM/081139

(51) **LOC (10) Cl.** **26-03**

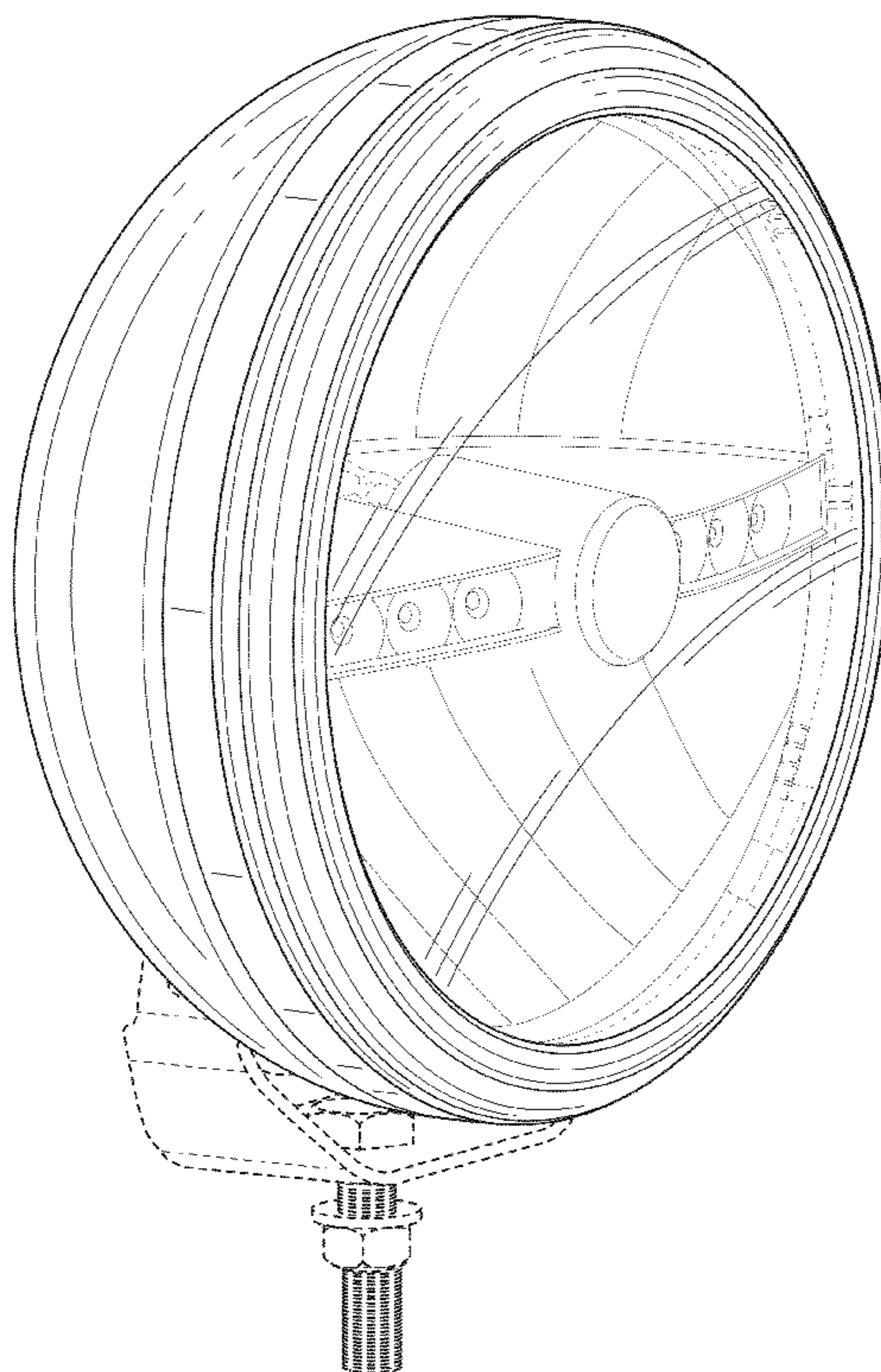
(52) **U.S. Cl.**
USPC **D26/63**

(58) **Field of Classification Search**
USPC D26/1, 24, 61, 63, 65, 85, 92
CPC F21V 21/14; F21V 15/01; F21V 14/02;
F21V 21/30; F21V 21/00; F21V 14/00;
F21S 8/00; F21S 8/003; F21S 8/043; F21Y
2105/001

FIG. 1 is a front, top, and left side perspective view of a
lighting device;
FIG. 2 is a front elevational view thereof;
FIG. 3 is a rear elevational view thereof;
FIG. 4 is a top plan view thereof;
FIG. 5 is a bottom plan view thereof;
FIG. 6 is a right side elevational view thereof; and,
FIG. 7 is a left side elevational view thereof.
The broken lines in the drawings illustrate environmental
subject matter and form no part of the claimed design.

See application file for complete search history.

1 Claim, 7 Drawing Sheets



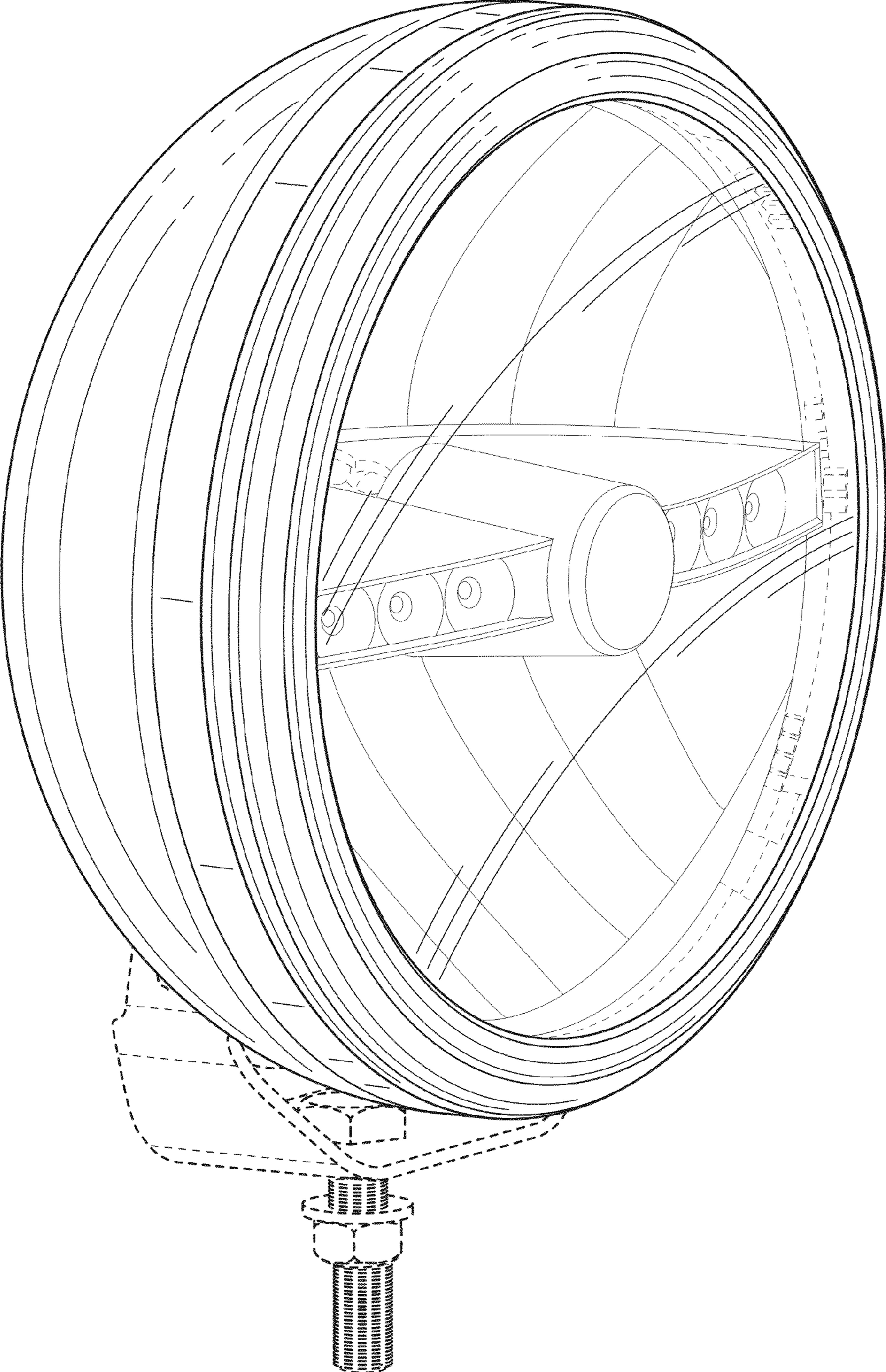


FIG. 1

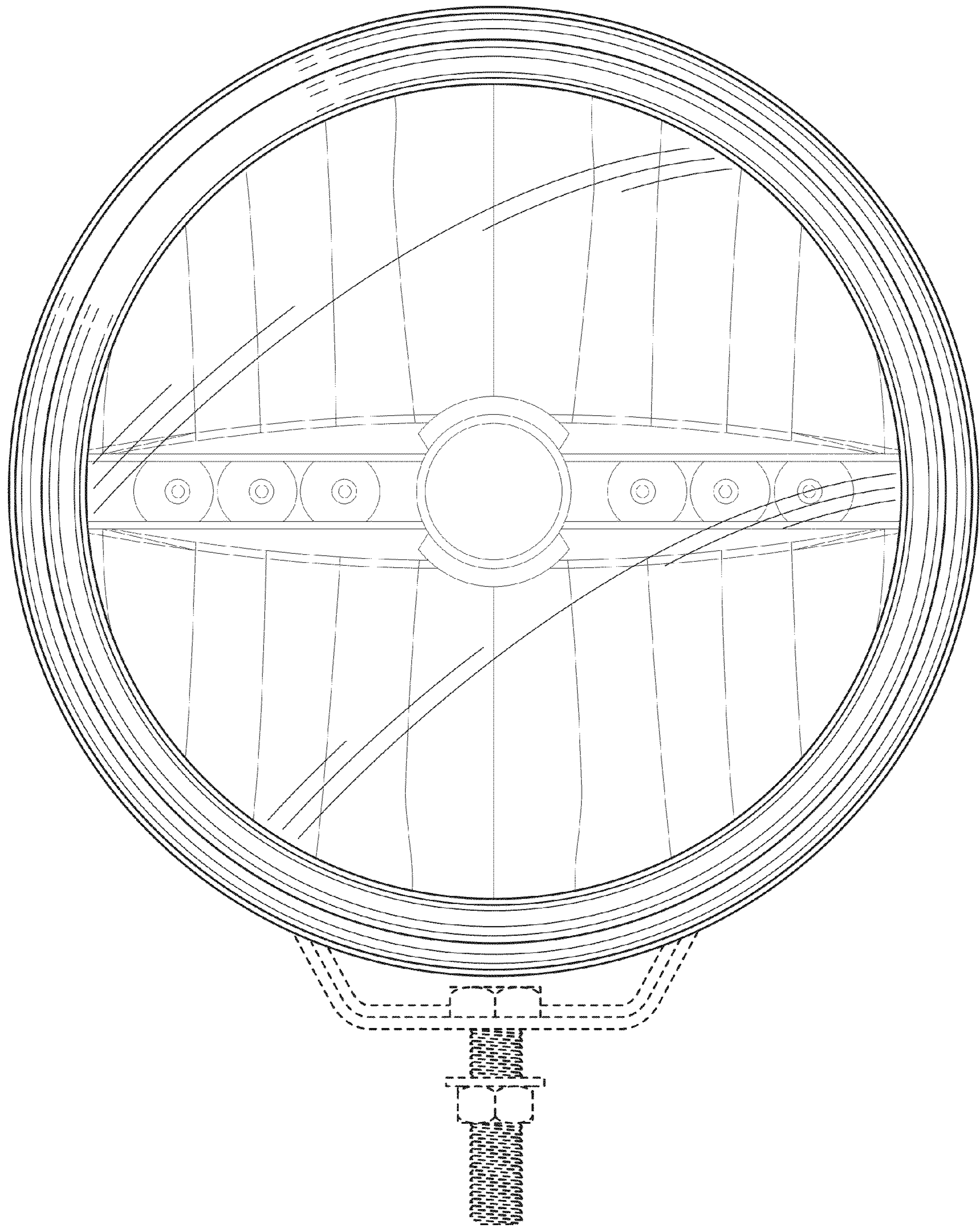


FIG. 2

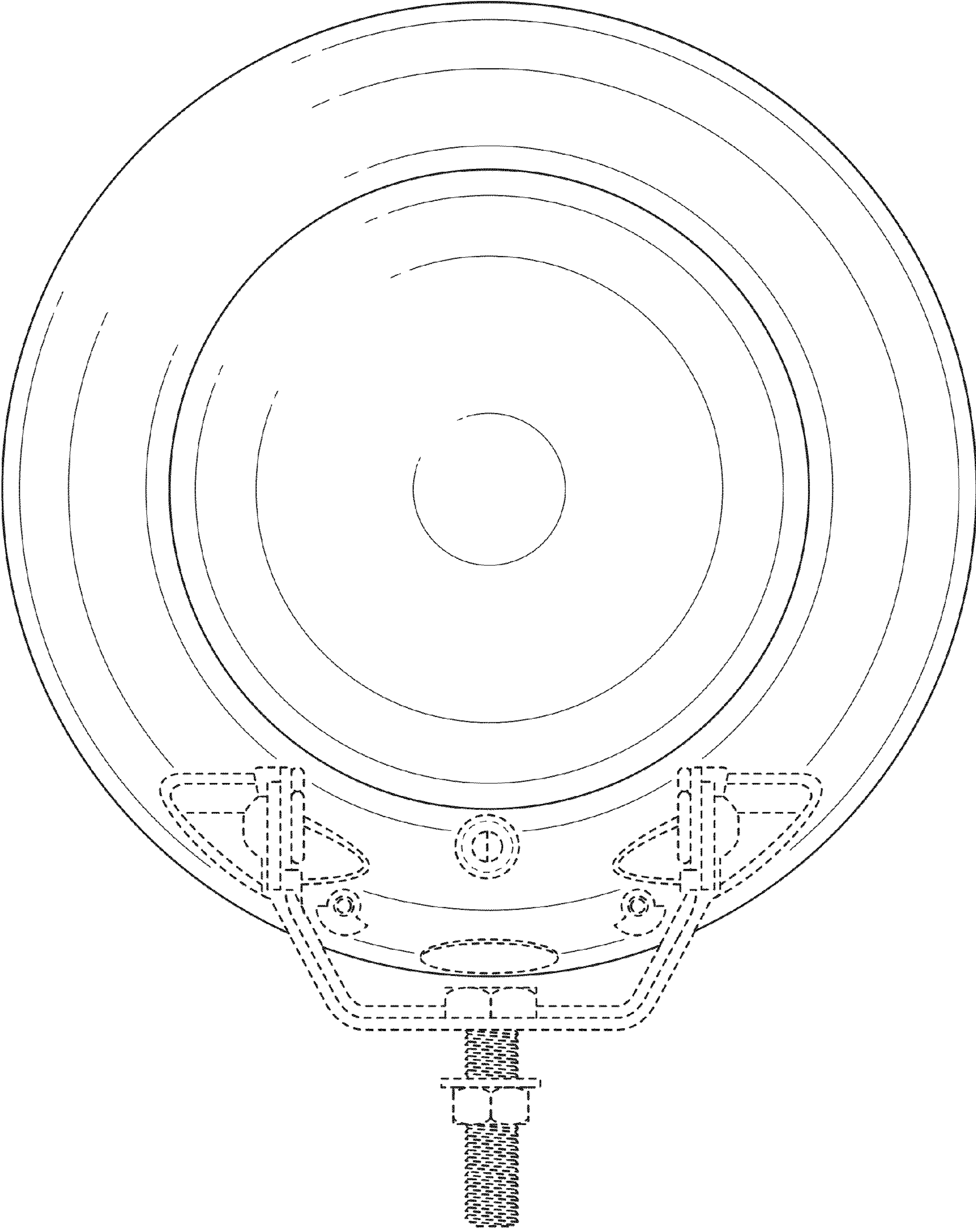


FIG. 3

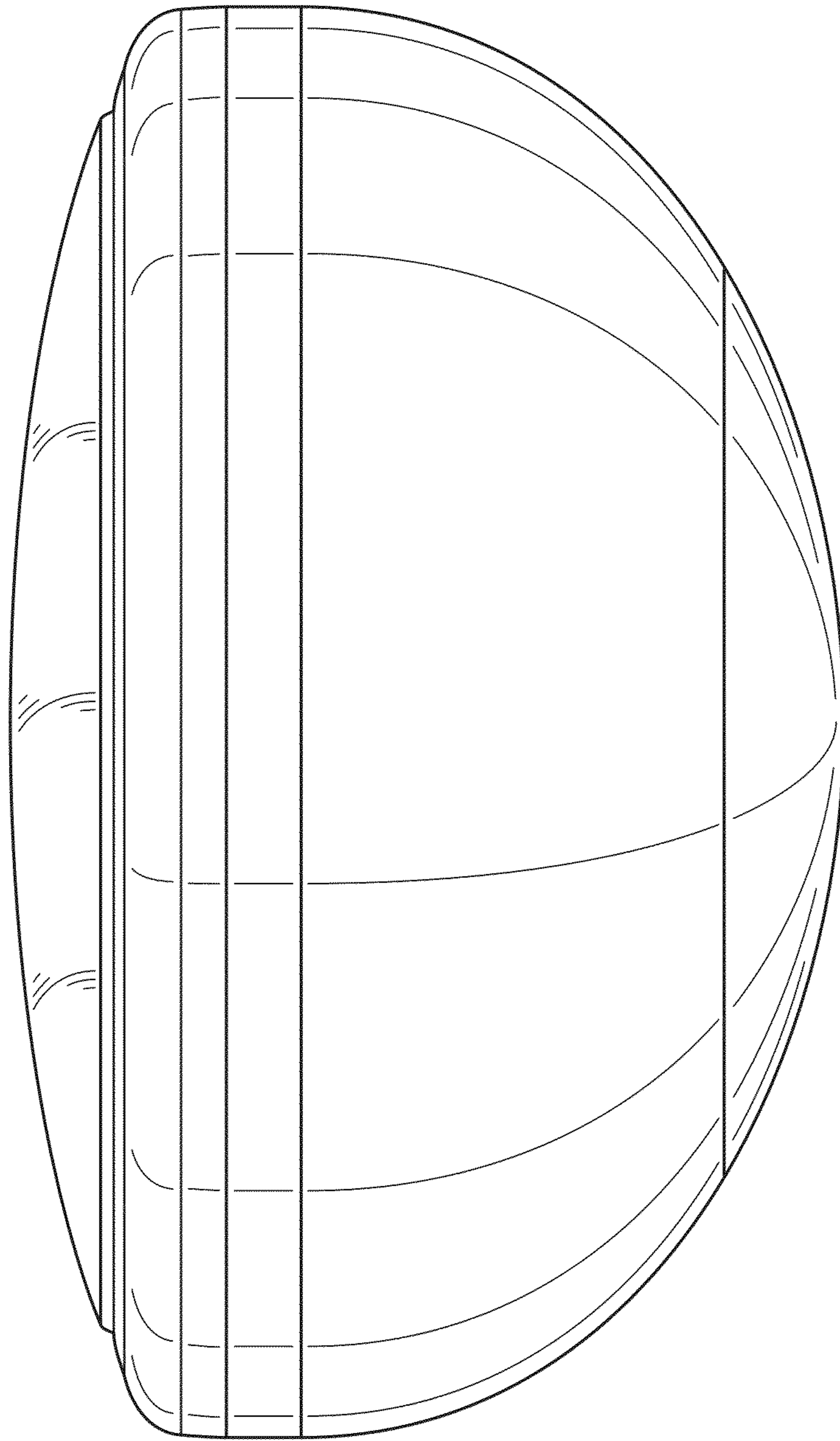


FIG. 4

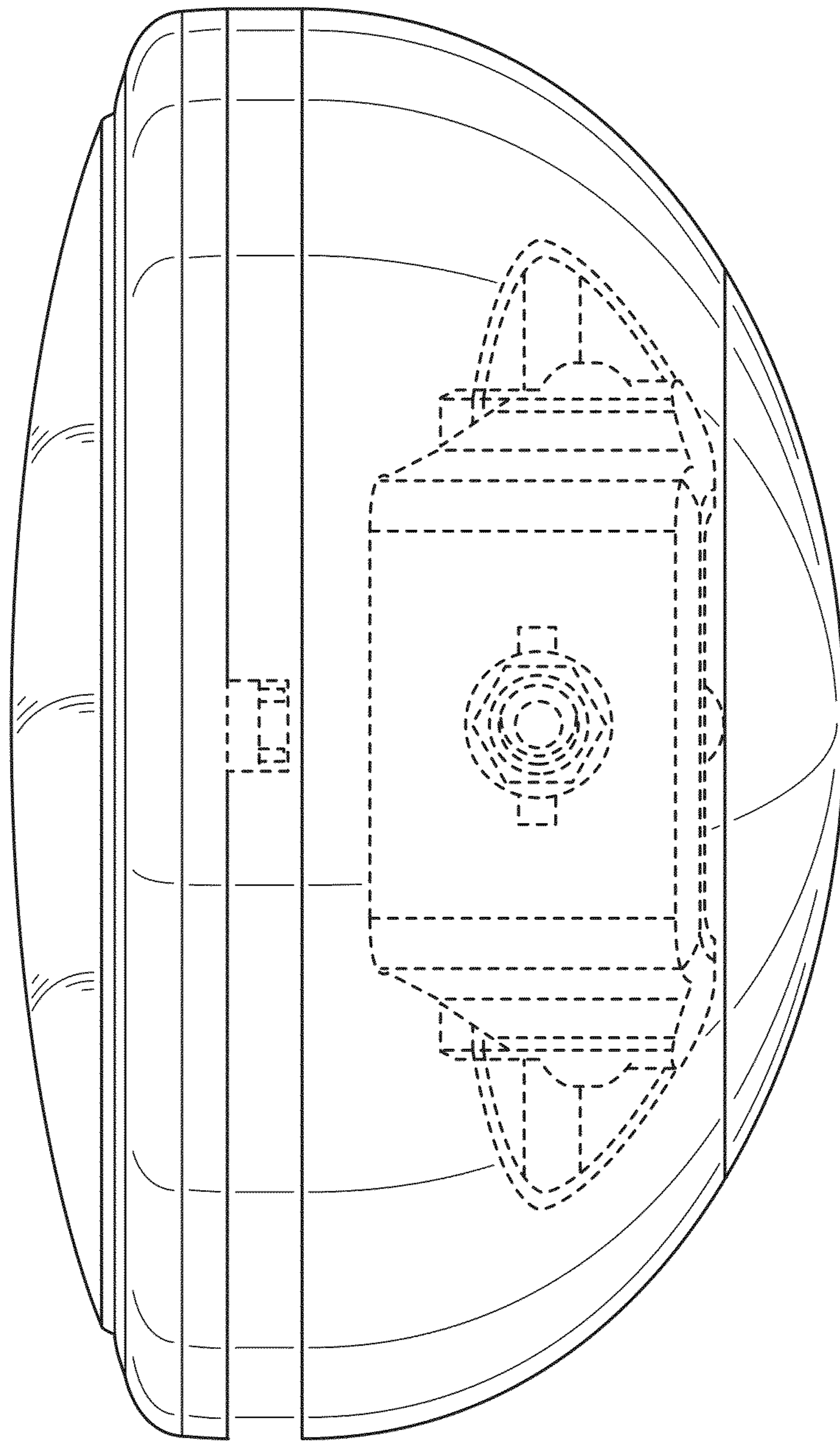


FIG. 5

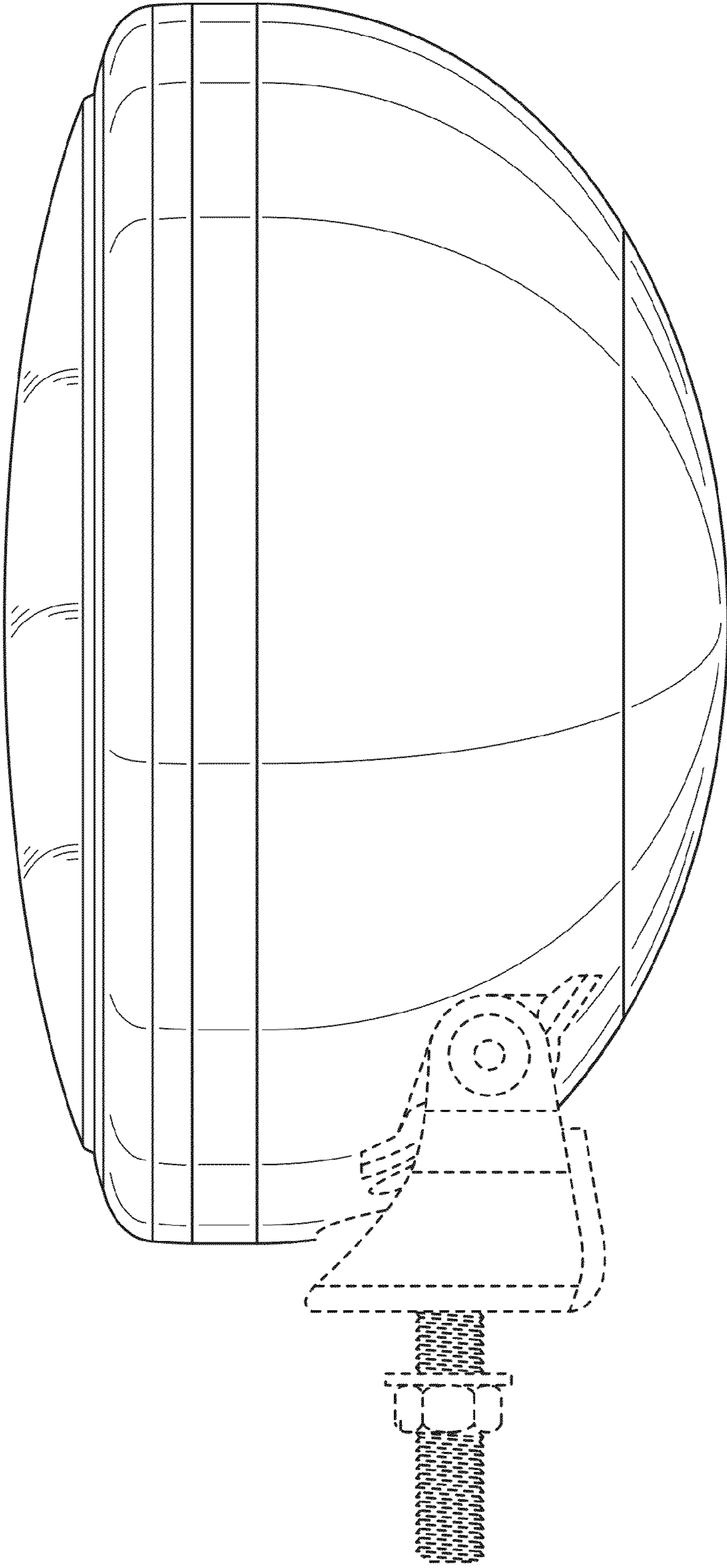


FIG. 6

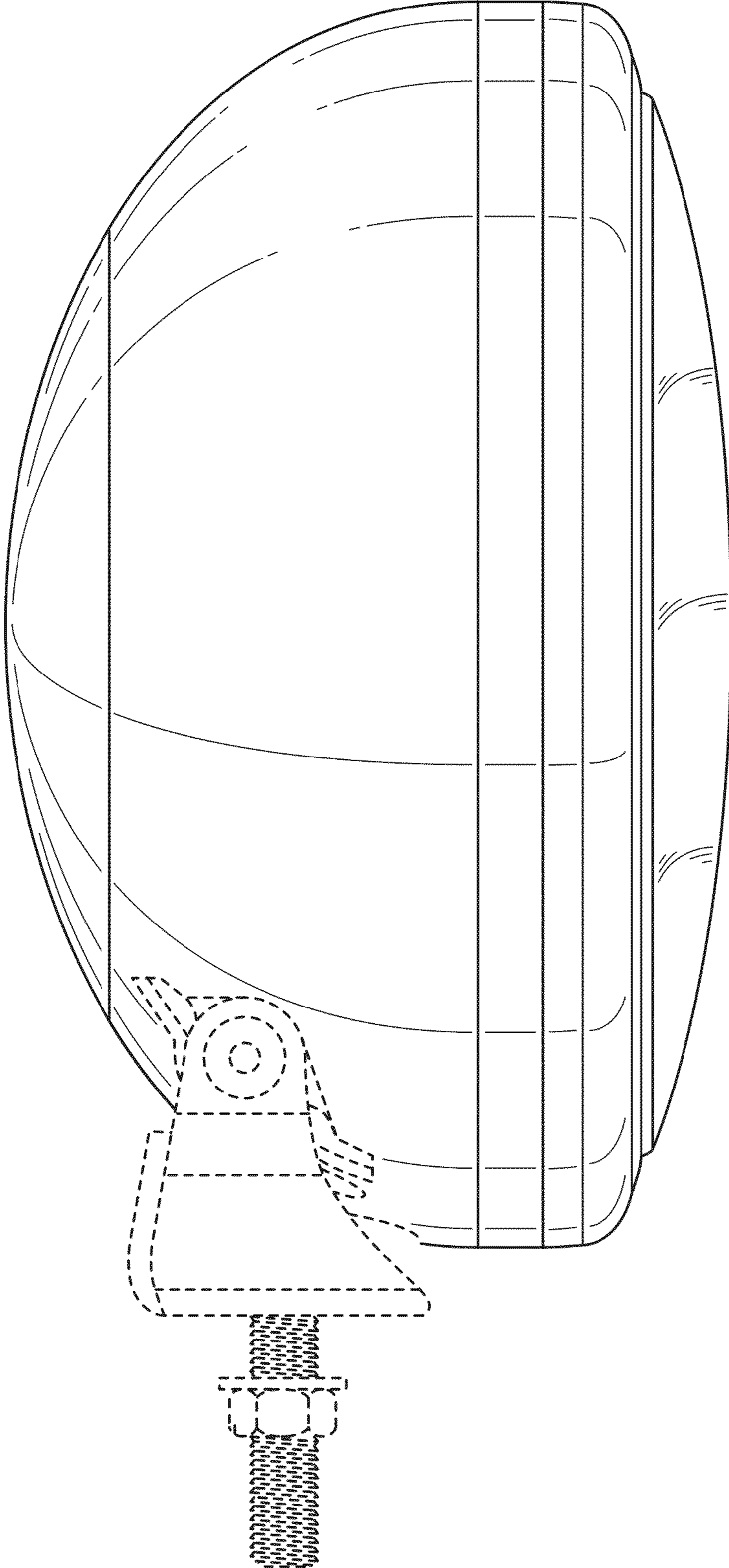


FIG. 7