



US00D747523S

(12) **United States Design Patent**
Salmon

(10) **Patent No.:** **US D747,523 S**

(45) **Date of Patent:** **** Jan. 12, 2016**

(54) **SPORT LANTERN**

(56) **References Cited**

(71) Applicant: **FLYING DRAGON DEVELOPMENT LIMITED**, New Territories (HK)

(72) Inventor: **Daniel Graham Salmon**, New Territories (HK)

(73) Assignee: **FLYING DRAGON DEVELOPMENT LIMITED**, New Territories (HK)

(**) Term: **14 Years**

(21) Appl. No.: **29/501,715**

(22) Filed: **Sep. 8, 2014**

(51) **LOC (10) Cl.** **26-02**

(52) **U.S. Cl.**
USPC **D26/40**

(58) **Field of Classification Search**
USPC D26/37-51, 56-60, 67; 362/103-105,
362/184, 194-196, 202-206
CPC F21L 4/00; F21L 4/022; F21L 4/025;
F21L 4/027; F21L 7/00; F21L 19/00; F21V
21/084; F21V 21/0085; F21W 2111/10

See application file for complete search history.

U.S. PATENT DOCUMENTS

D474,553 S *	5/2003	Poon	D26/40
D483,892 S *	12/2003	Poon	D26/40
D559,418 S *	1/2008	Poon	D26/40
D571,493 S *	6/2008	Li	D26/37
D575,429 S *	8/2008	Shiu	D26/40
D608,920 S *	1/2010	Loibl	D26/40
D611,630 S *	3/2010	Chan	D26/40
D650,104 S *	12/2011	Brands	D26/41

* cited by examiner

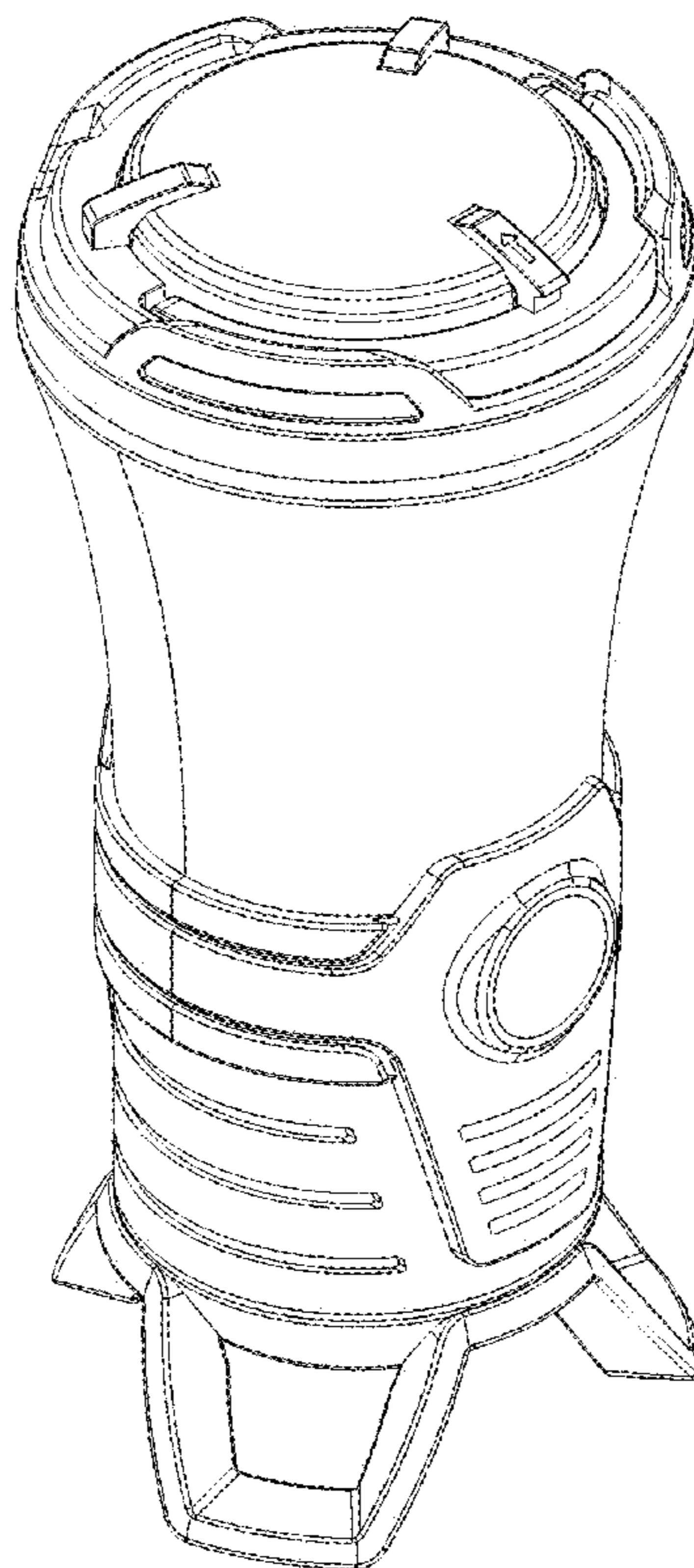
Primary Examiner — Sandra Morris
(74) *Attorney, Agent, or Firm* — Rabin & Berdo, P.C.

(57) **CLAIM**
The ornamental design for a sport lantern, as shown and described.

DESCRIPTION

FIG. 1 is a front view of a sport lantern showing my new design;
FIG. 2 is a rear view thereof;
FIG. 3 is a left side view thereof;
FIG. 4 is a right side view thereof;
FIG. 5 is a top plan view thereof;
FIG. 6 is a bottom plan view thereof;
FIG. 7 is a perspective view thereof;
FIG. 8 is another perspective view thereof;
FIG. 9 is another perspective view thereof; and,
FIG. 10 is another perspective view thereof.

1 Claim, 10 Drawing Sheets



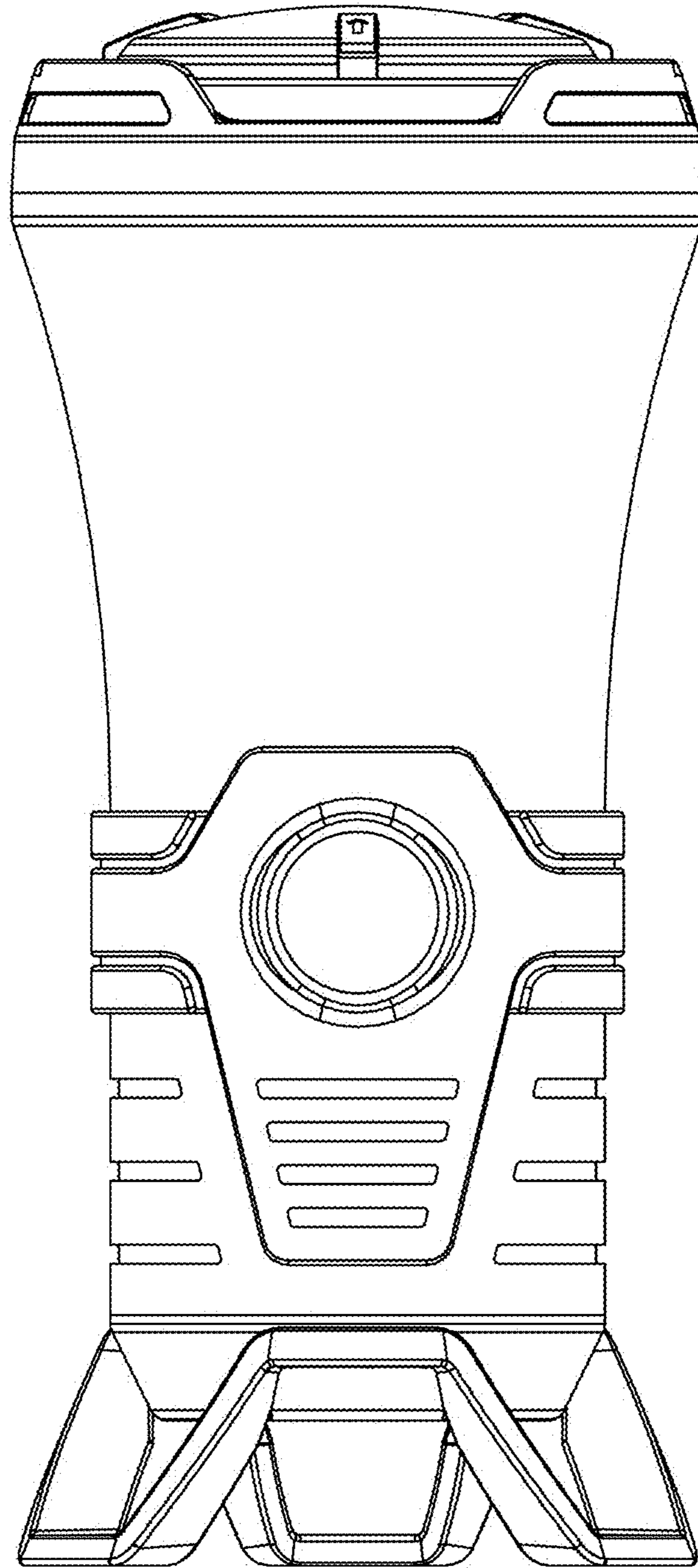


Fig.1

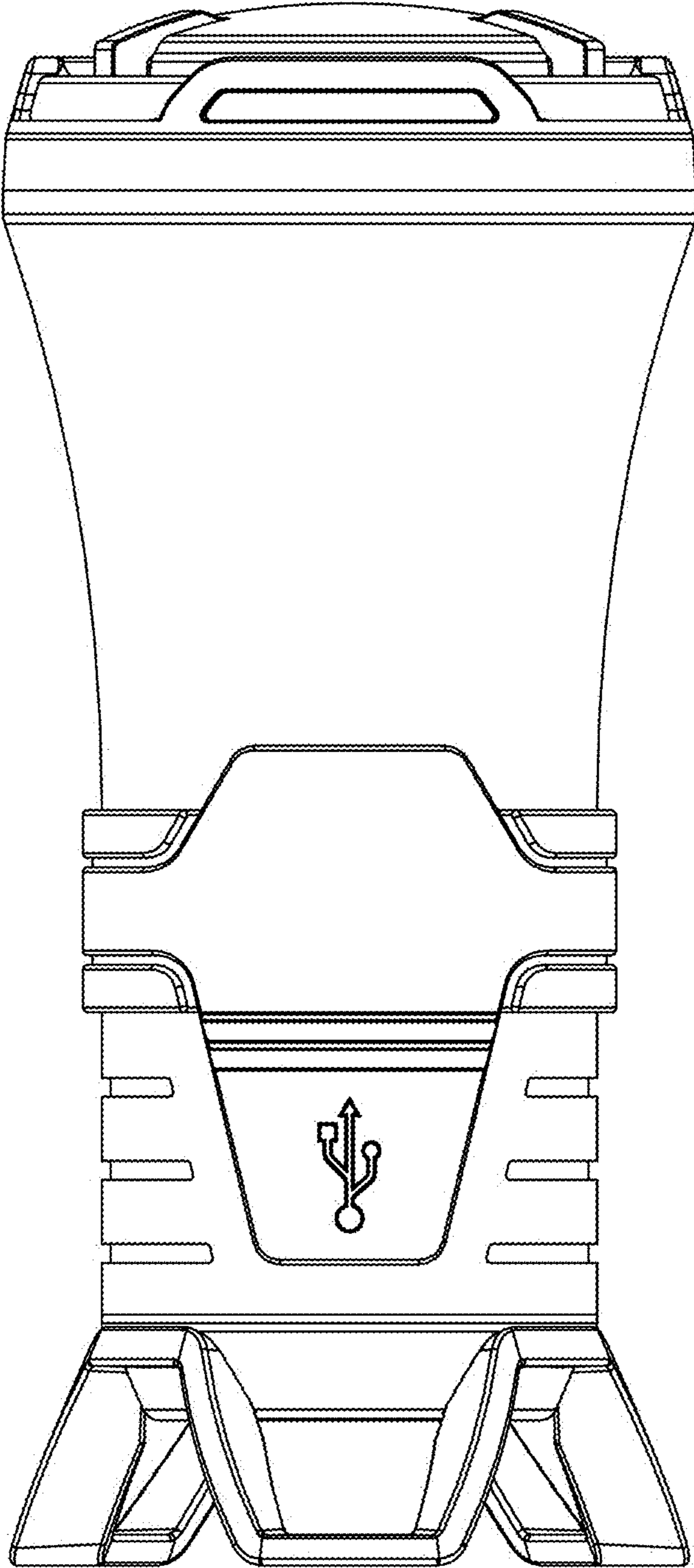


Fig.2

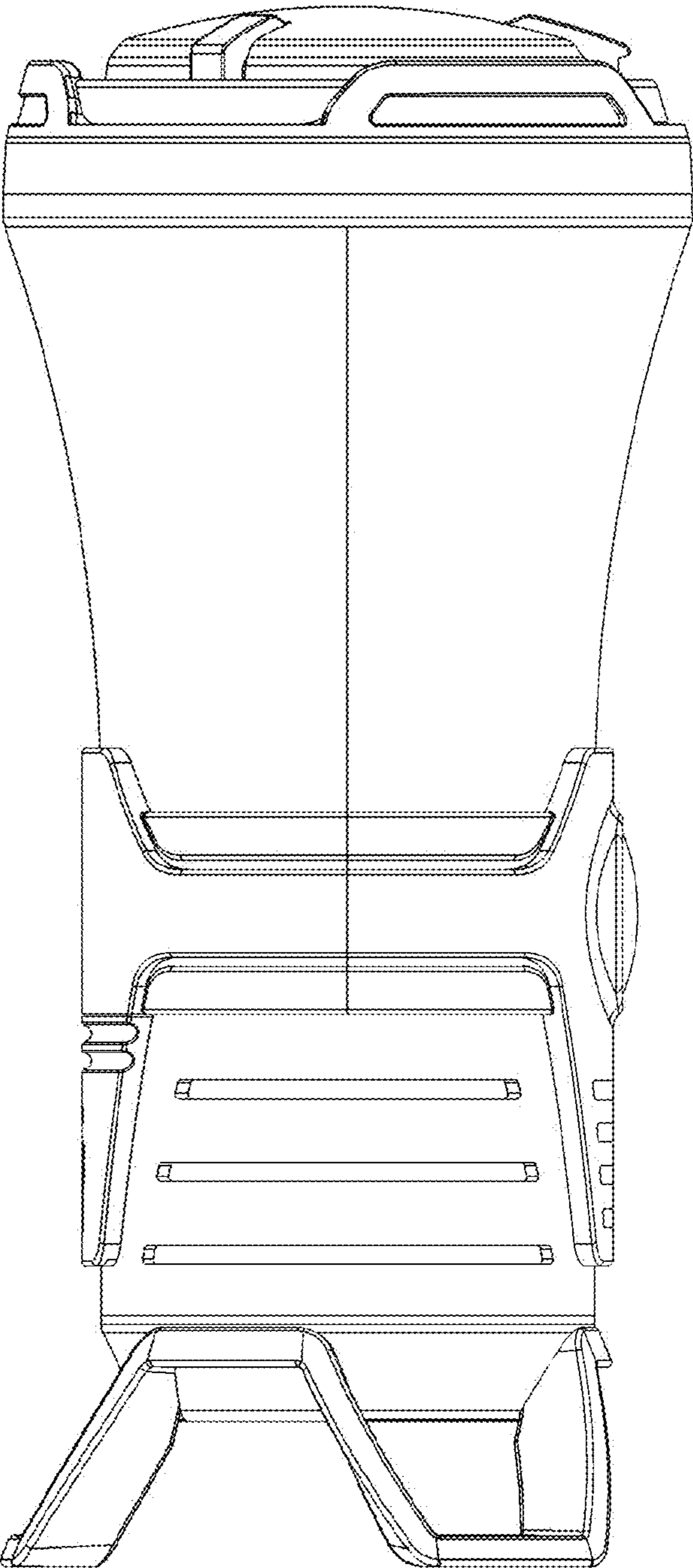


Fig.3

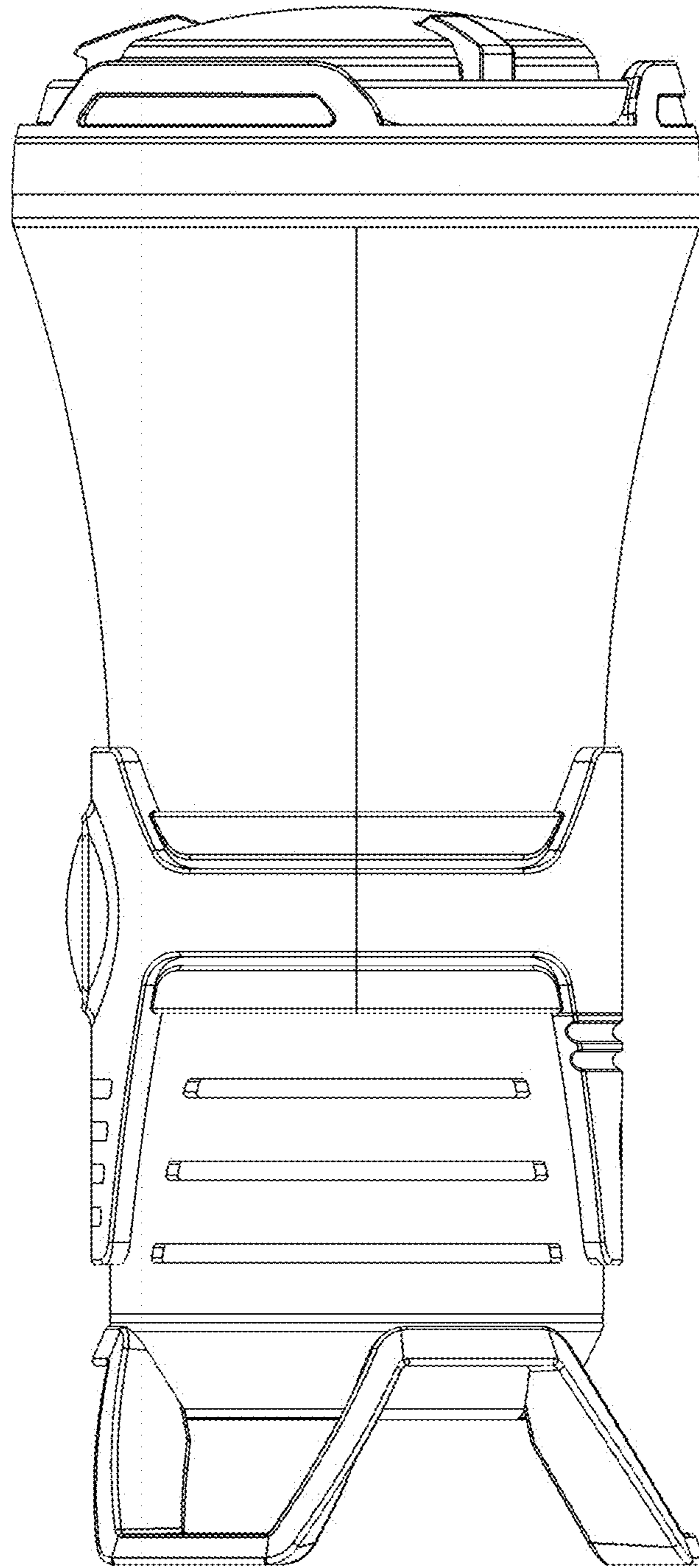


Fig.4

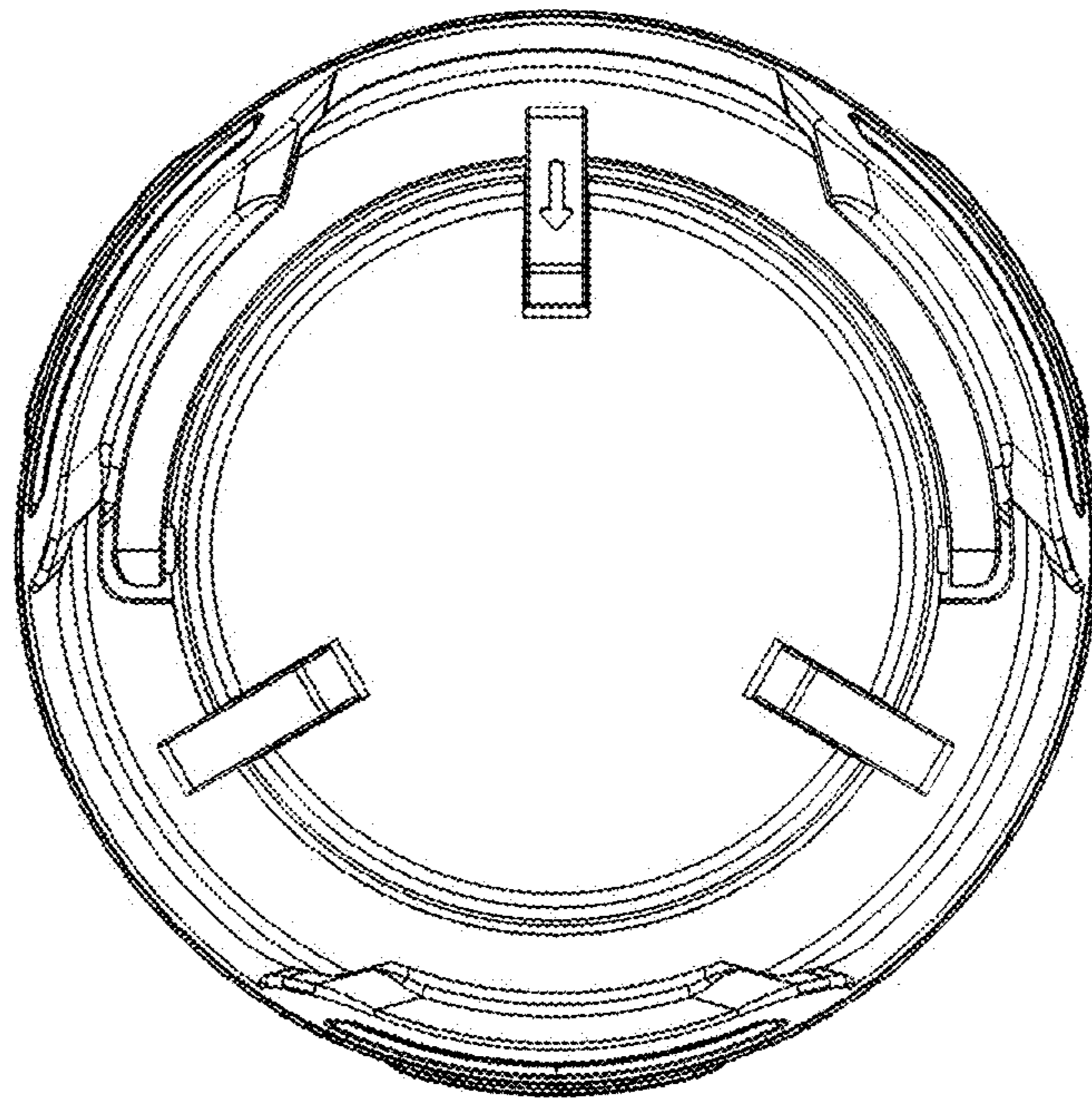


Fig.5

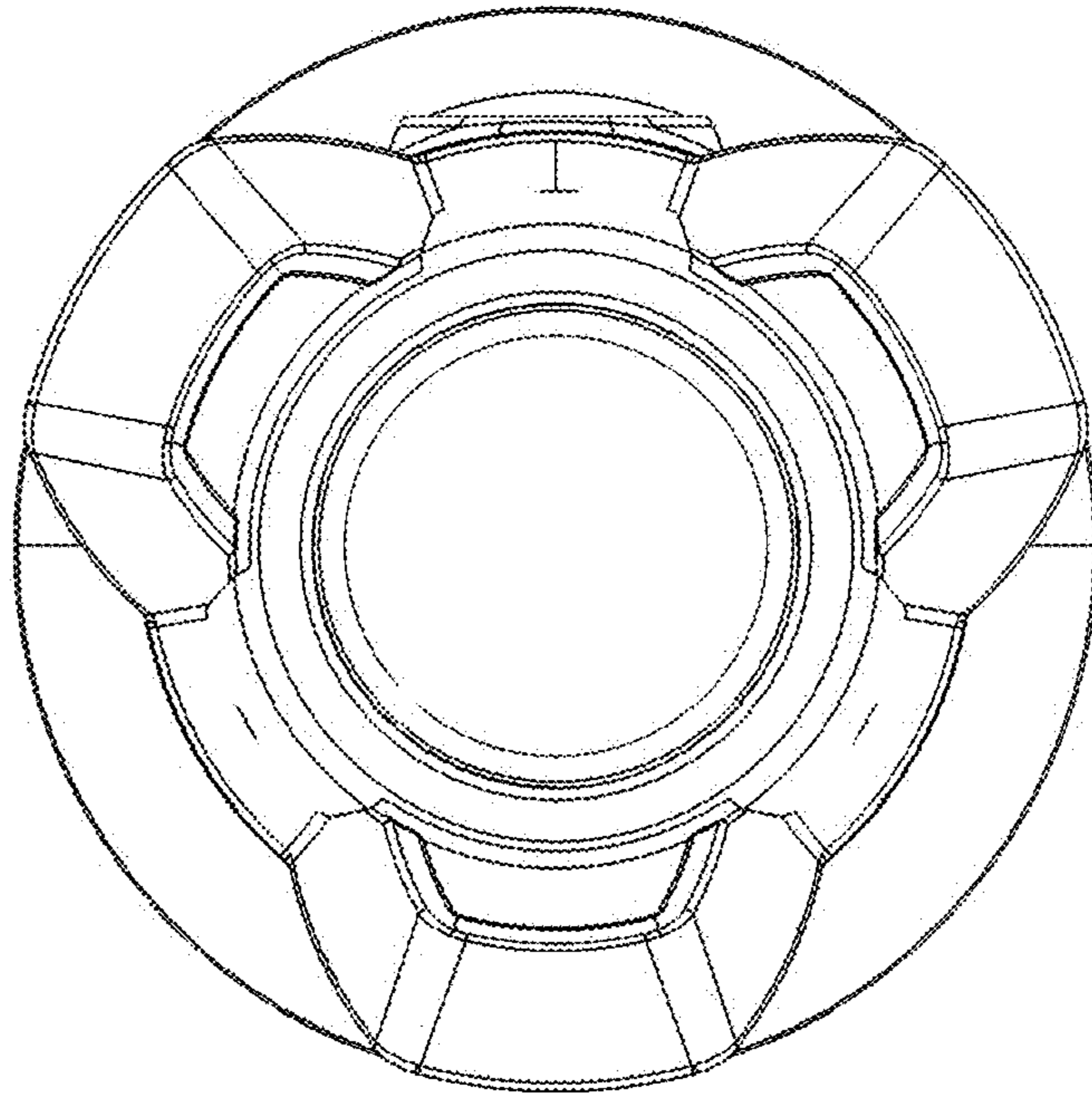


Fig.6

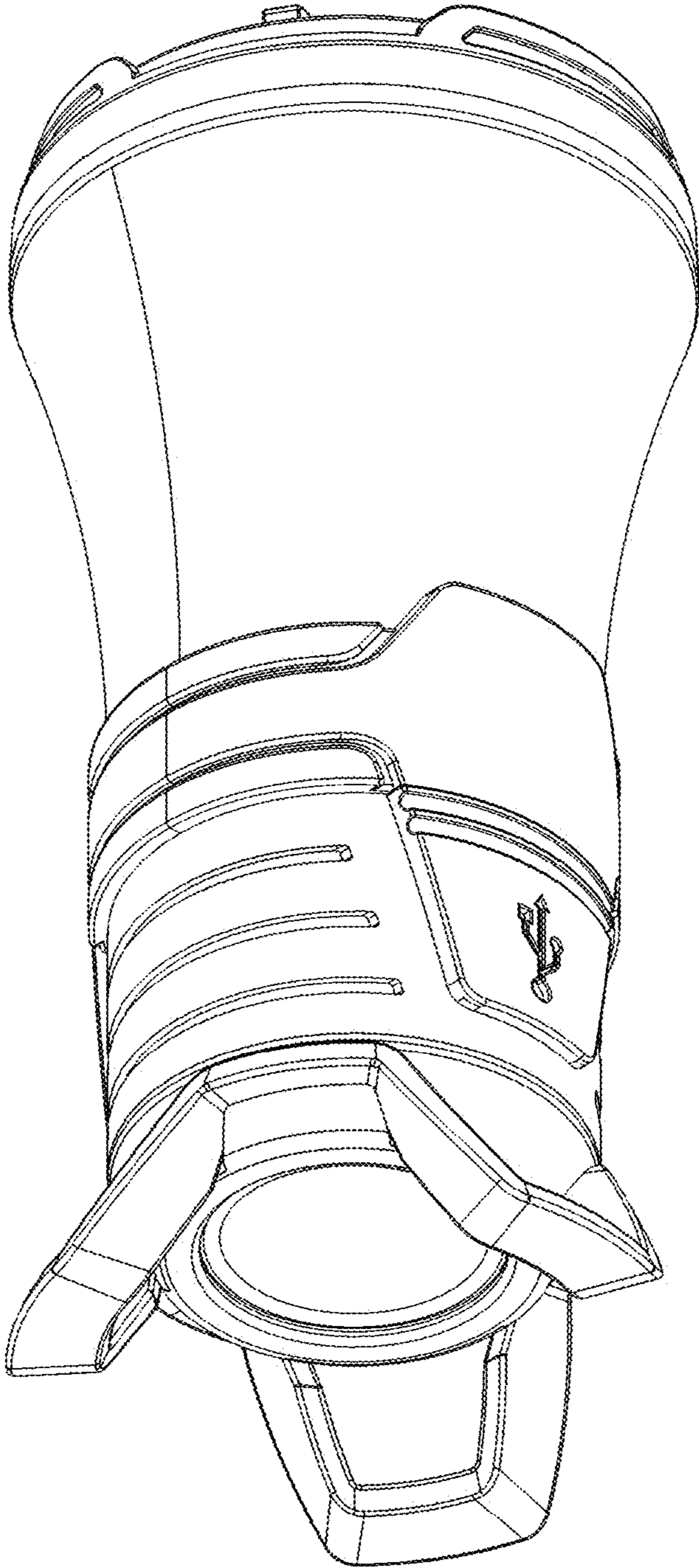


Fig.7

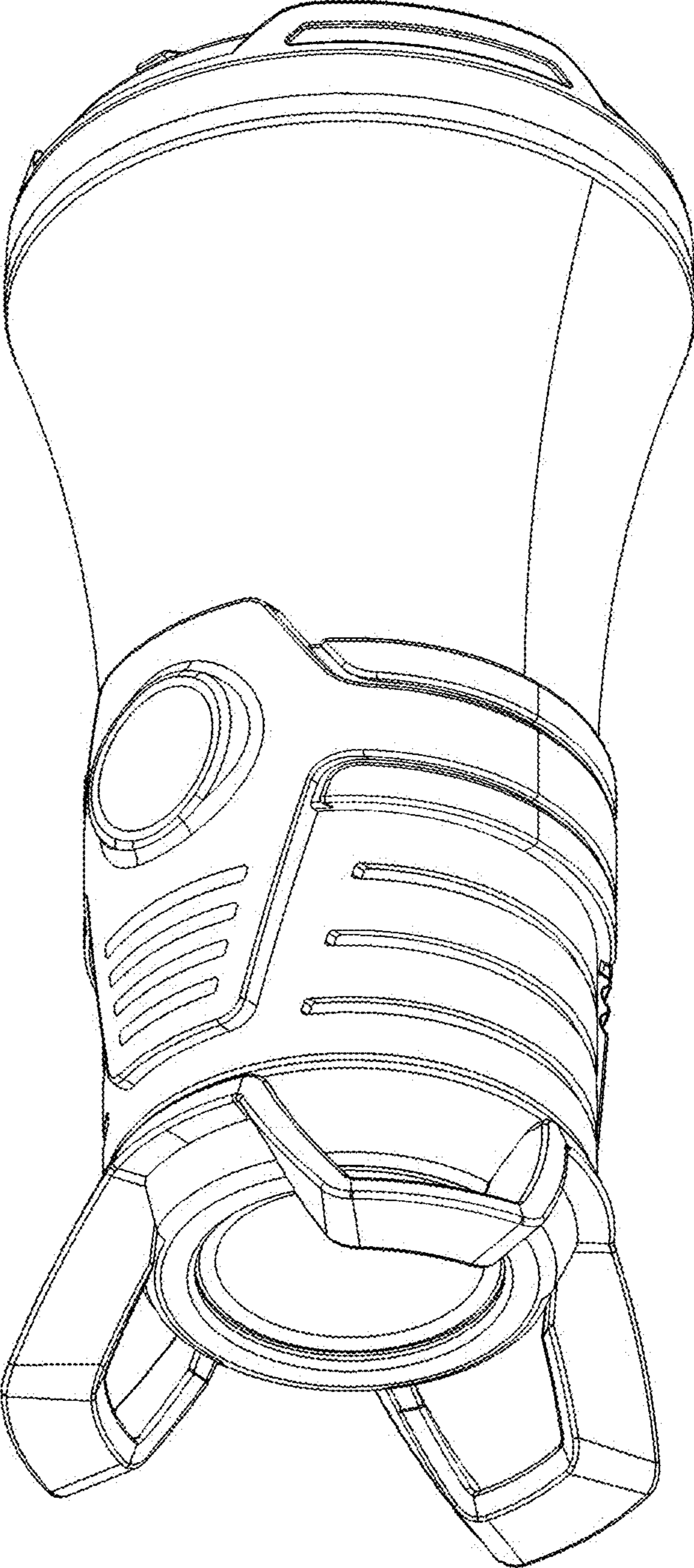


Fig.8

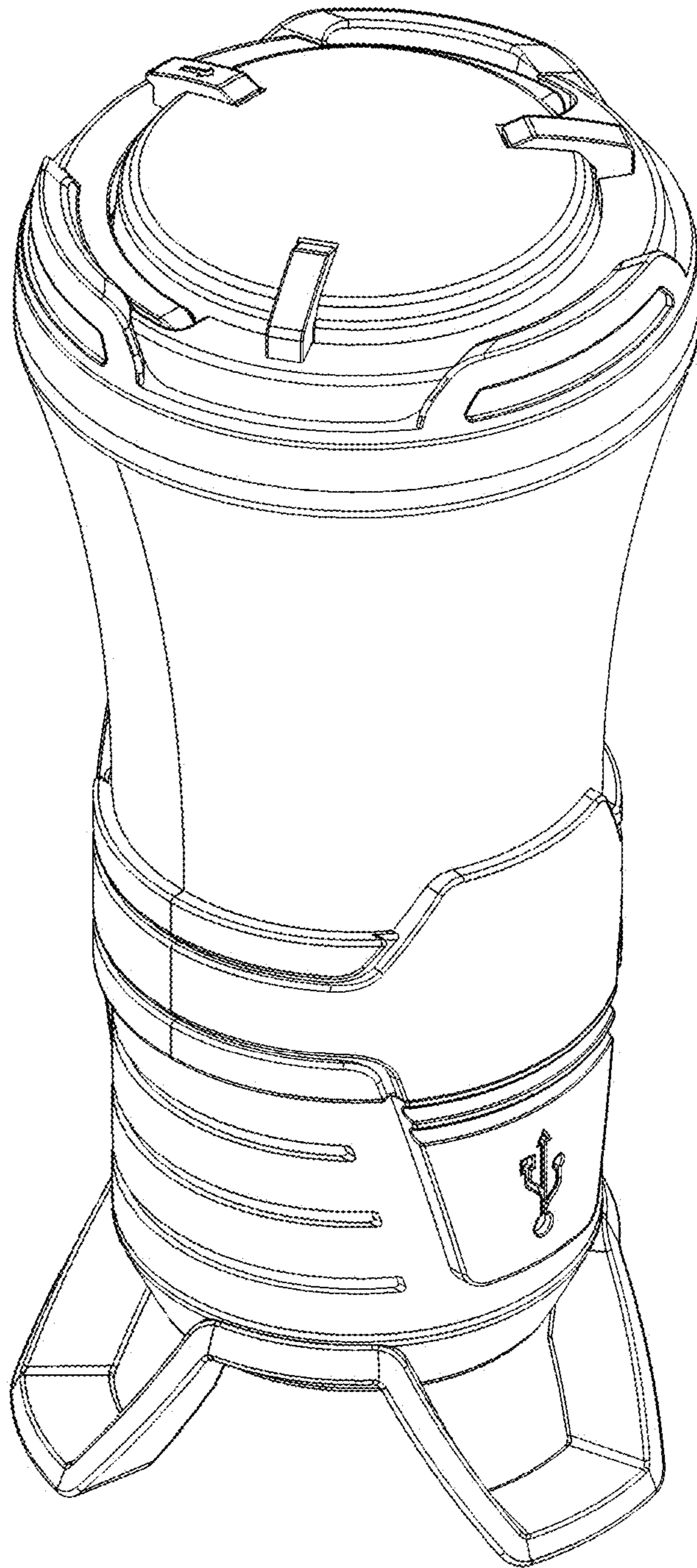


Fig.9

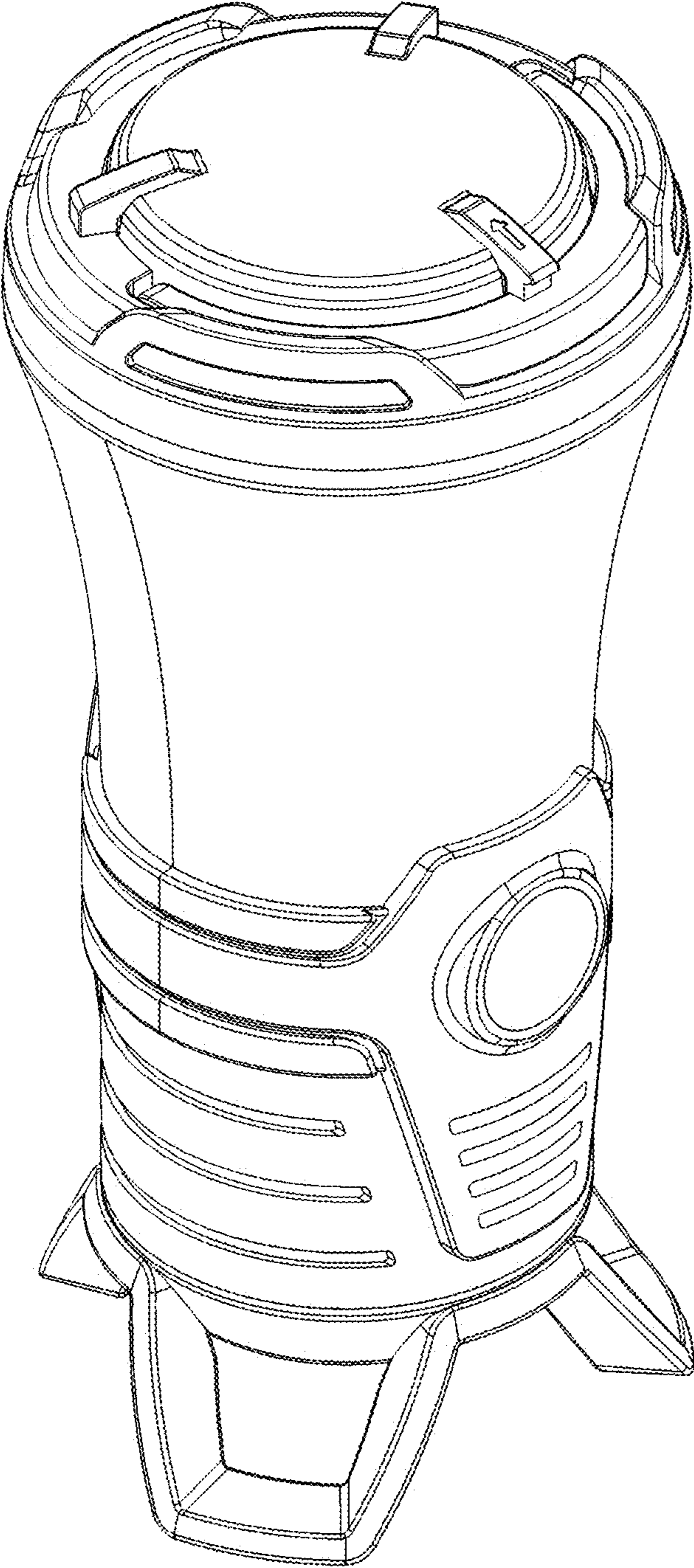


Fig.10