



US00D747522S

(12) **United States Design Patent**
Sheikh et al.

(10) **Patent No.:** **US D747,522 S**
(45) **Date of Patent:** **** Jan. 12, 2016**

(54) **COMBINATION FLASHLIGHT AND STUN GUN**

D565,769 S 4/2008 Shiu
D578,236 S 10/2008 Dalton
D585,577 S 1/2009 Bonis

(71) Applicants: **Yasar Sheikh**, Sanford, FL (US);
Shabbir Sheikh, Sanford, FL (US)

(Continued)

(72) Inventors: **Yasar Sheikh**, Sanford, FL (US);
Shabbir Sheikh, Sanford, FL (US)

Primary Examiner — Sandra Morris

(74) *Attorney, Agent, or Firm* — QuickPatents; Kevin Prince

(**) Term: **14 Years**

(57) **CLAIM**

We claim the ornamental design for a combination flashlight and stun gun, as shown and described.

(21) Appl. No.: **29/503,679**

DESCRIPTION

(22) Filed: **Sep. 29, 2014**

(51) **LOC (10) Cl.** **26-02**

(52) **U.S. Cl.**
USPC **D26/38; D22/117**

(58) **Field of Classification Search**
USPC D26/37-51, 56-60, 67; 362/103-10,
362/184, 194-196; 463/47.3; D22/117
CPC F21L 4/00; F21L 4/022; F21L 4/025;
F21L 4/027; F21L 7/00; F21L 19/00; F21V
21/084; F21V 21/0085; F21W 2111/10;
G08B 15/00; G08B 15/004
See application file for complete search history.

FIG. 1 is a front perspective view of a combination flashlight and stun gun, showing a first embodiment of our new design; FIG. 2 is a rear perspective view of FIG. 1; FIG. 3 is a front elevational view of FIG. 1; FIG. 4 is a rear elevational view of FIG. 1; FIG. 5 is a right-side elevational view of FIG. 1; FIG. 6 is a left-side elevational view of FIG. 1; FIG. 7 is a top plan view of FIG. 1; FIG. 8 is a bottom plan view of FIG. 1; FIG. 9 is a front perspective view of a second thereof; FIG. 10 is a front elevational view of FIG. 9; FIG. 11 is a left-side elevational view of FIG. 9; FIG. 12 is a right-side elevational view of FIG. 9; FIG. 13 is a top plan view of FIG. 9; and FIG. 14 is a bottom plan view of FIG. 9. FIG. 15 is a front perspective view of a third embodiment thereof; FIG. 16 is a front elevational view of FIG. 15; FIG. 17 is a left-side elevational view of FIG. 15; FIG. 18 is a right-side elevational view of FIG. 15; FIG. 19 is a top plan view of FIG. 15; and, FIG. 20 is a bottom plan view of FIG. 15.

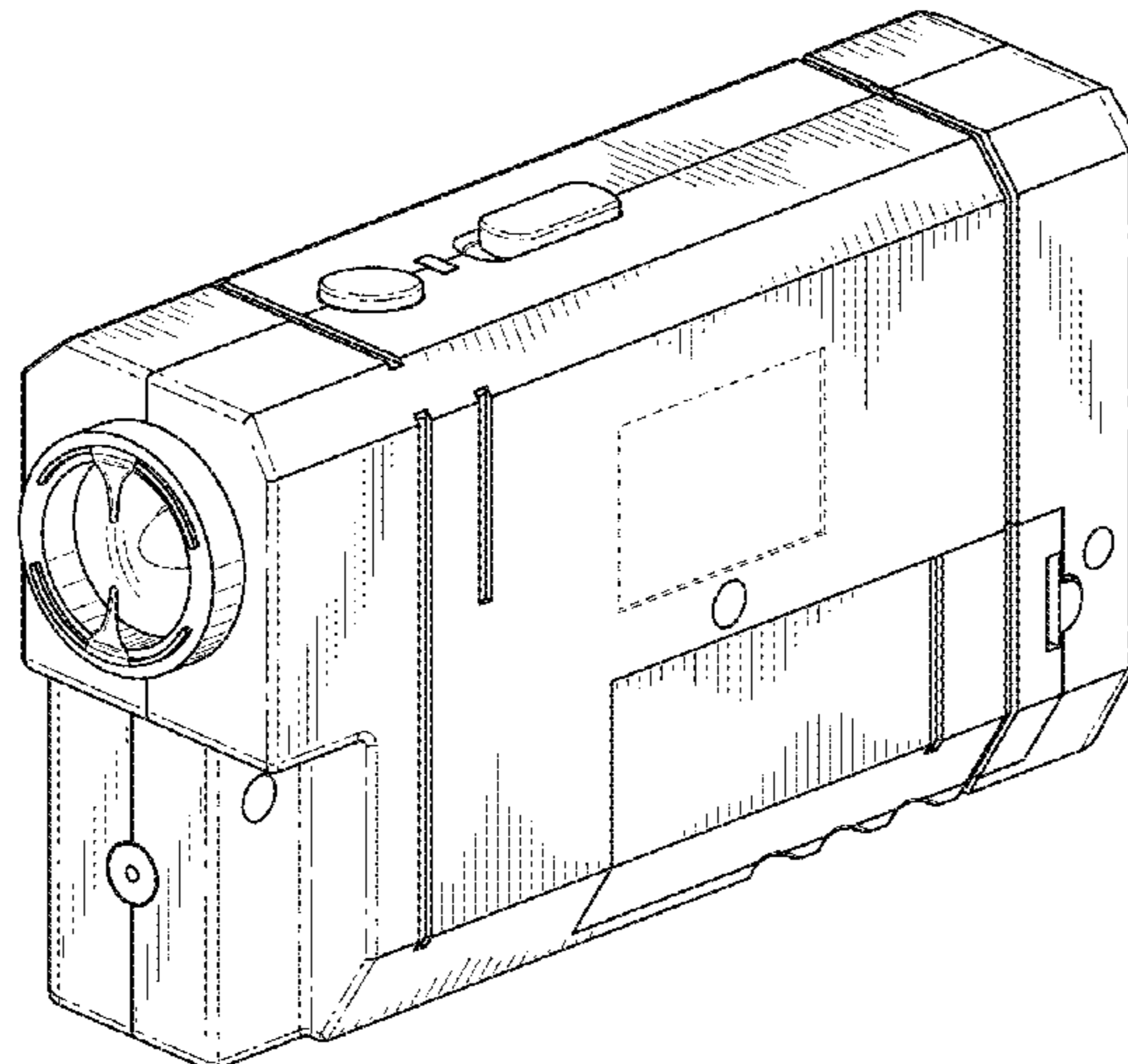
(56) **References Cited**

U.S. PATENT DOCUMENTS

D277,415 S *	1/1985	Berger	D26/46
4,968,034 A	11/1990	Hsieh		
D362,816 S *	10/1995	Yuen	D26/37
D425,228 S *	5/2000	Kibler	D26/37
D452,020 S *	12/2001	Hong	D26/37
D485,924 S *	1/2004	Kihara	D26/37
D513,334 S	12/2005	Galey		
D539,376 S *	3/2007	Rhee	D22/117
D541,454 S	4/2007	Galey		
7,278,764 B2	10/2007	Kim		

The broken lines in the drawings depict matter that forms no part of the claimed design. It is understood that the rear elevational views of all embodiments are identical.

1 Claim, 9 Drawing Sheets



(56)

References Cited

U.S. PATENT DOCUMENTS

D586,025 S 2/2009 Bonis
D595,439 S 6/2009 Haight et al.
D599,928 S 9/2009 Shiu
D601,736 S 10/2009 Swan
D603,988 S 11/2009 Sharrah
D611,115 S 3/2010 Pennington
D629,542 S 12/2010 Robinson

D629,544 S 12/2010 Deguglimo et al.
D629,546 S 12/2010 Deguglimo et al.
D646,346 S 10/2011 Rae
D647,232 S 10/2011 Liu
D647,654 S 10/2011 Li
D648,467 S 11/2011 Nguyen et al.
D649,670 S 11/2011 Robinson
D666,344 S 8/2012 Lee
D682,980 S * 5/2013 Sheikh D22/117
D699,378 S * 2/2014 DiLuciano D26/37

* cited by examiner

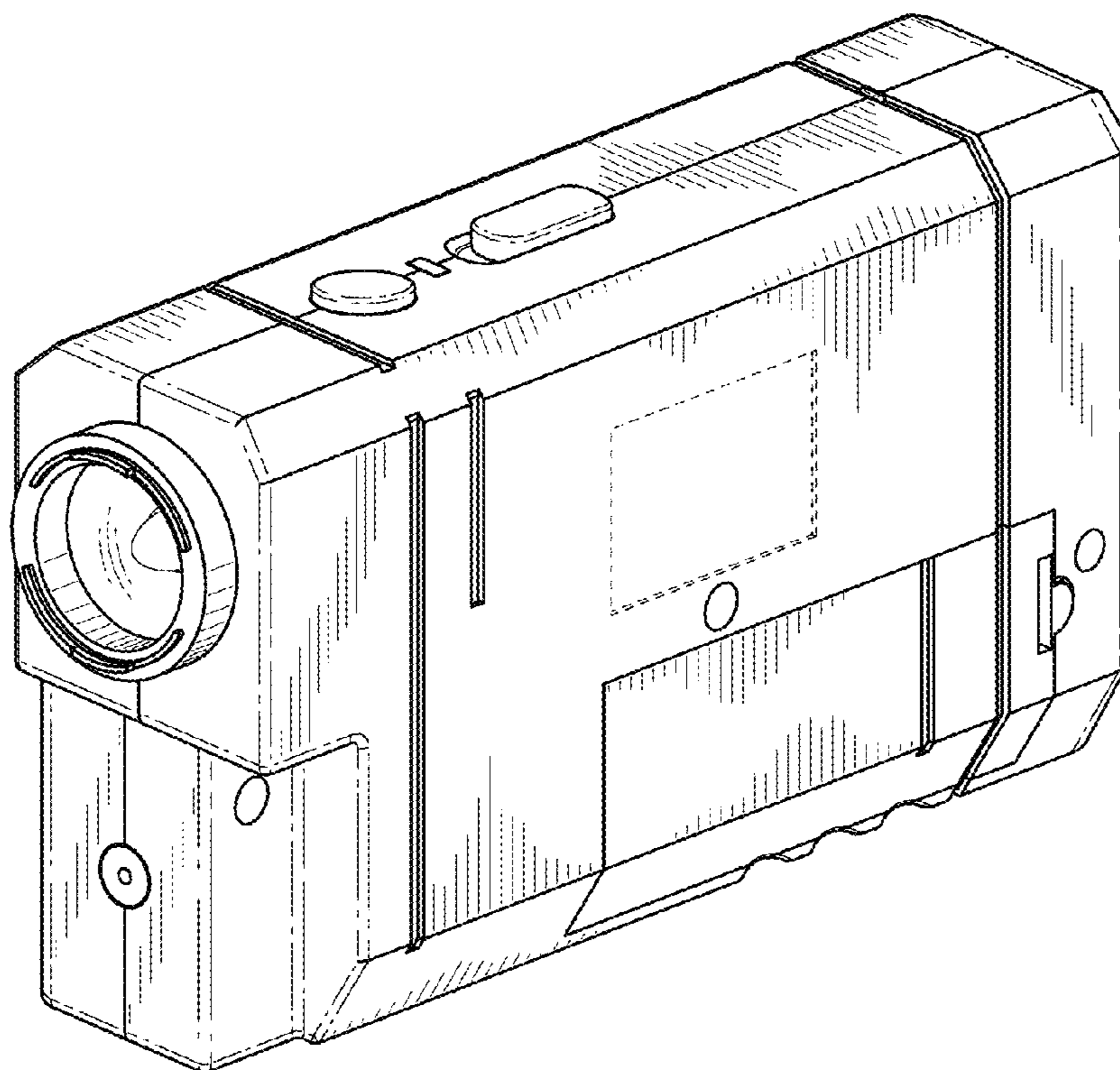


FIG. 1

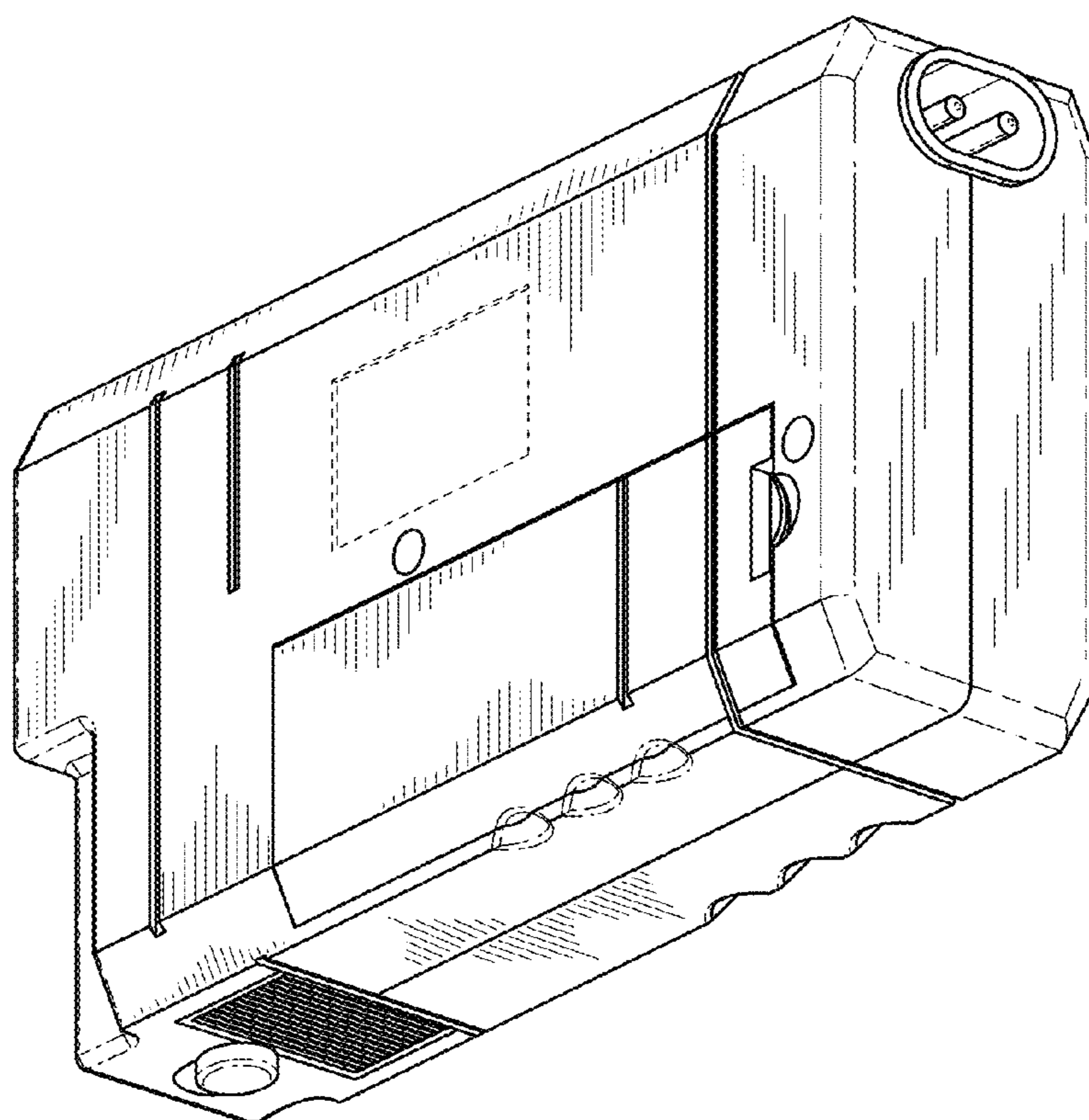


FIG. 2

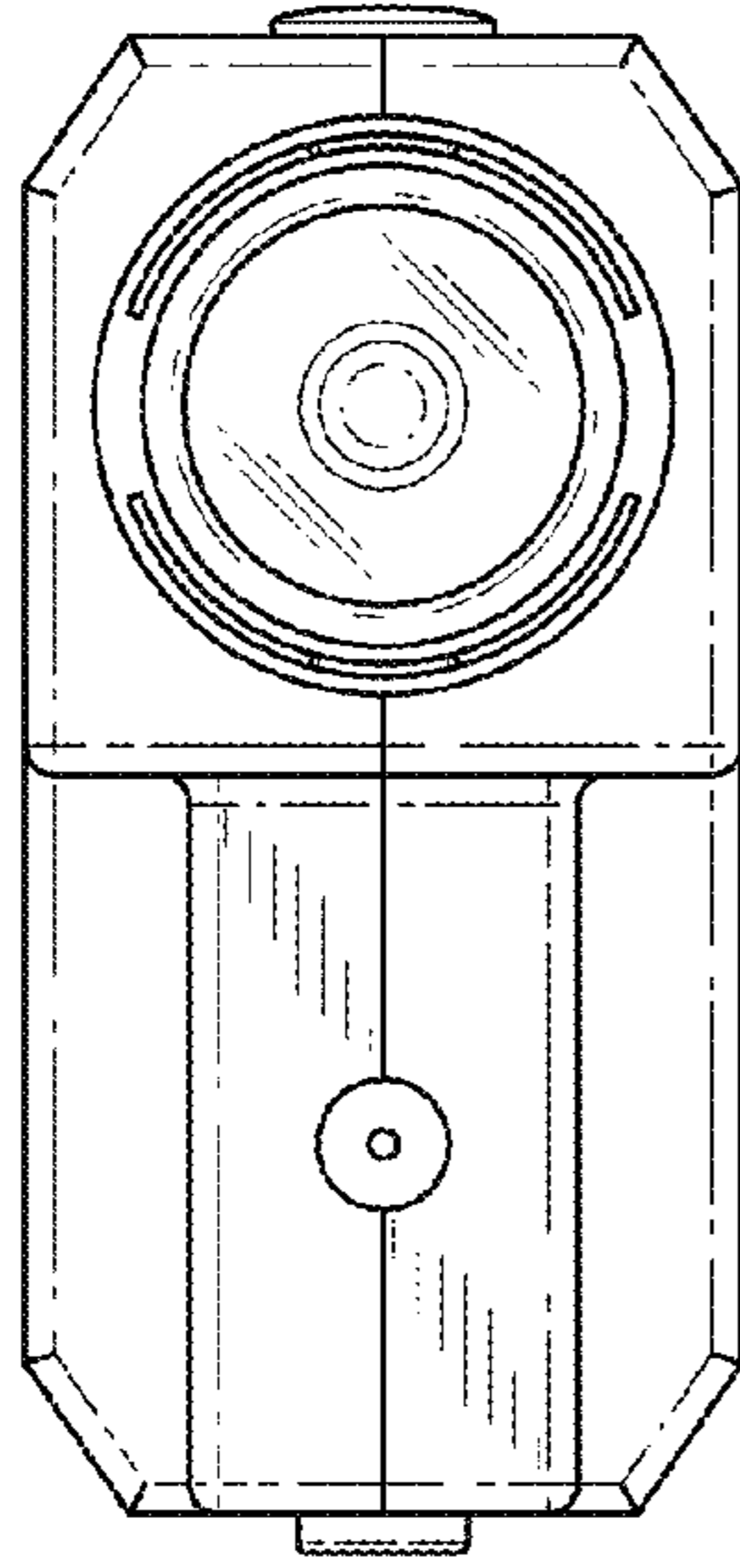


FIG. 3

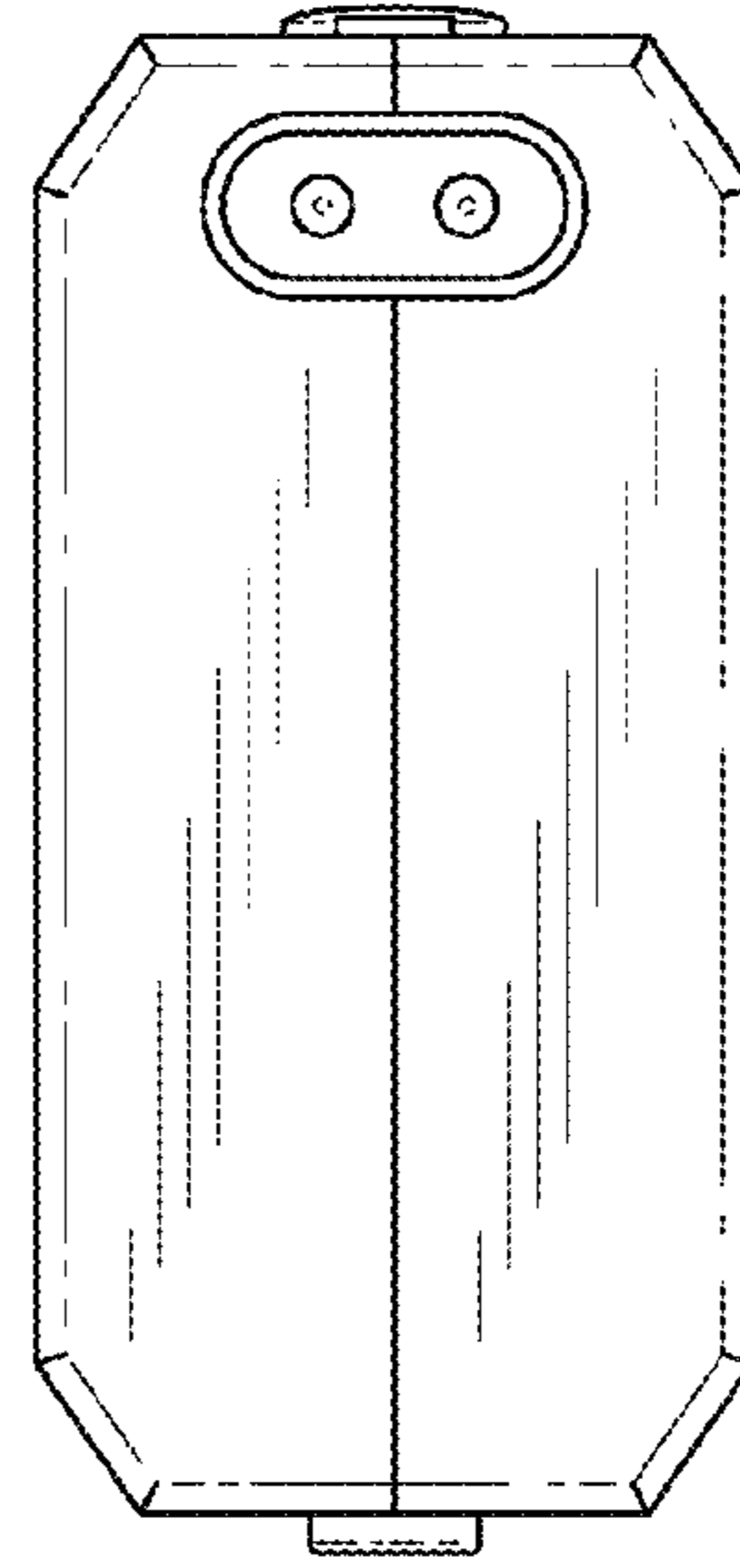


FIG. 4

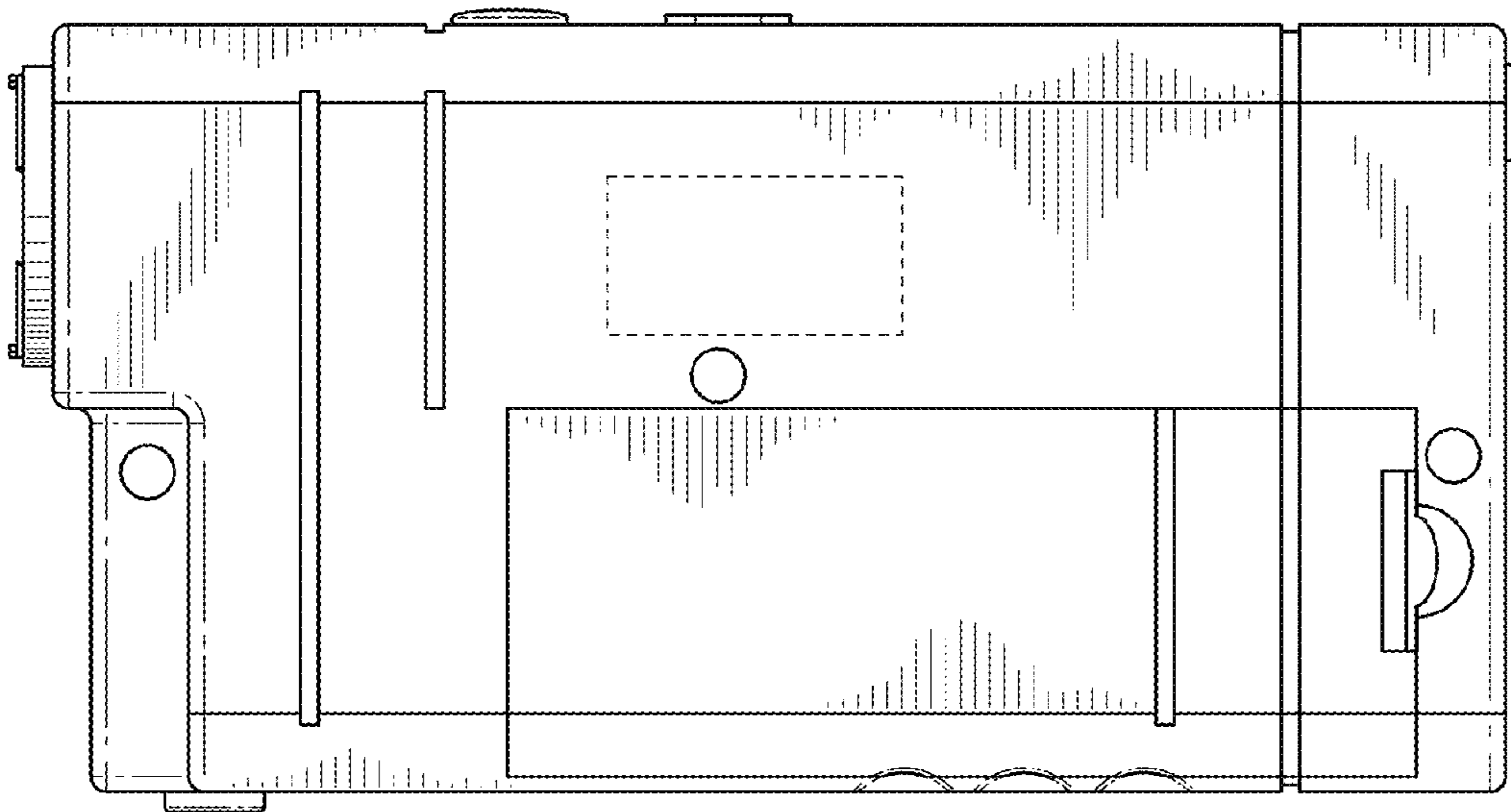


FIG. 5

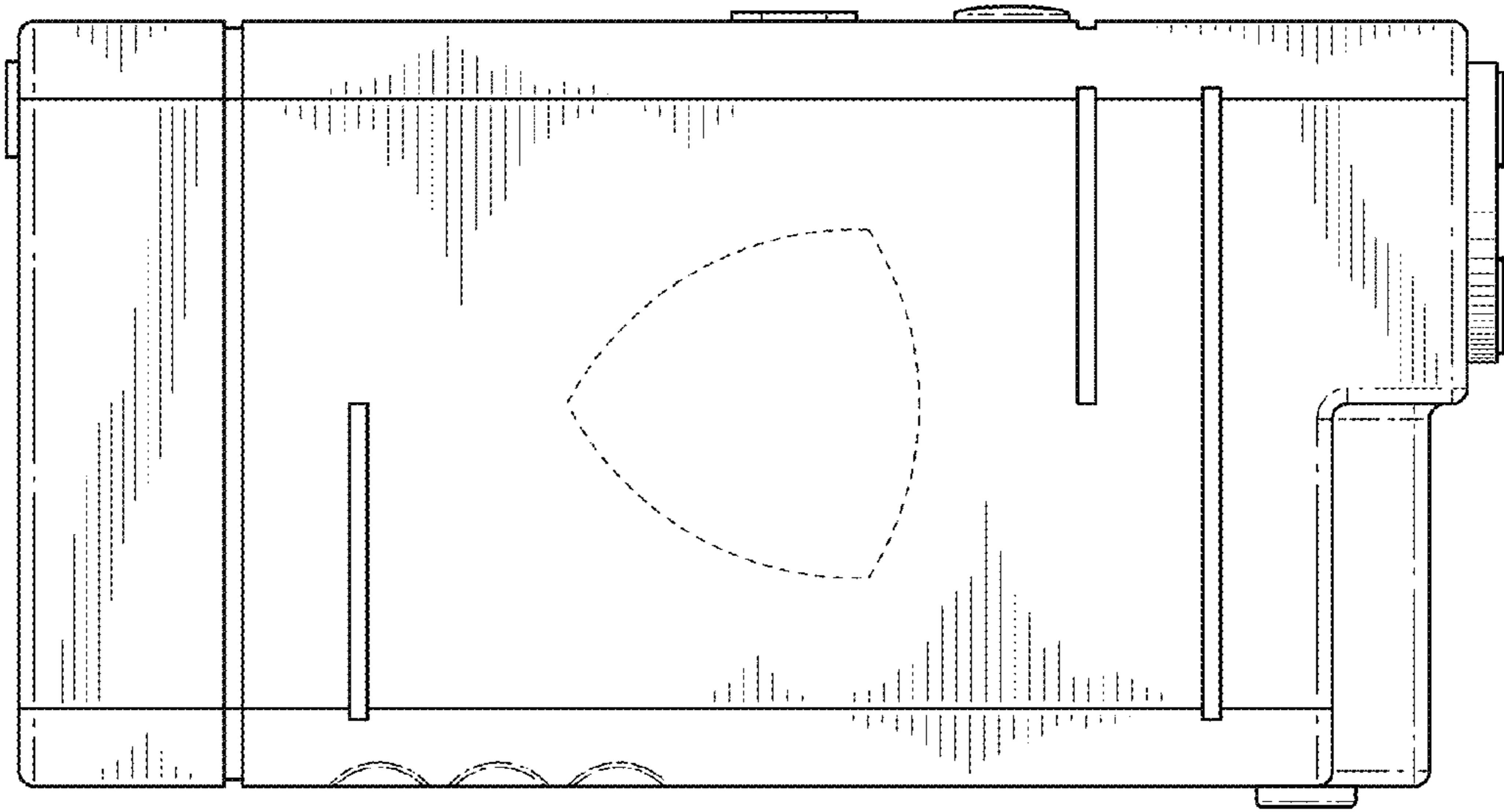


FIG. 6

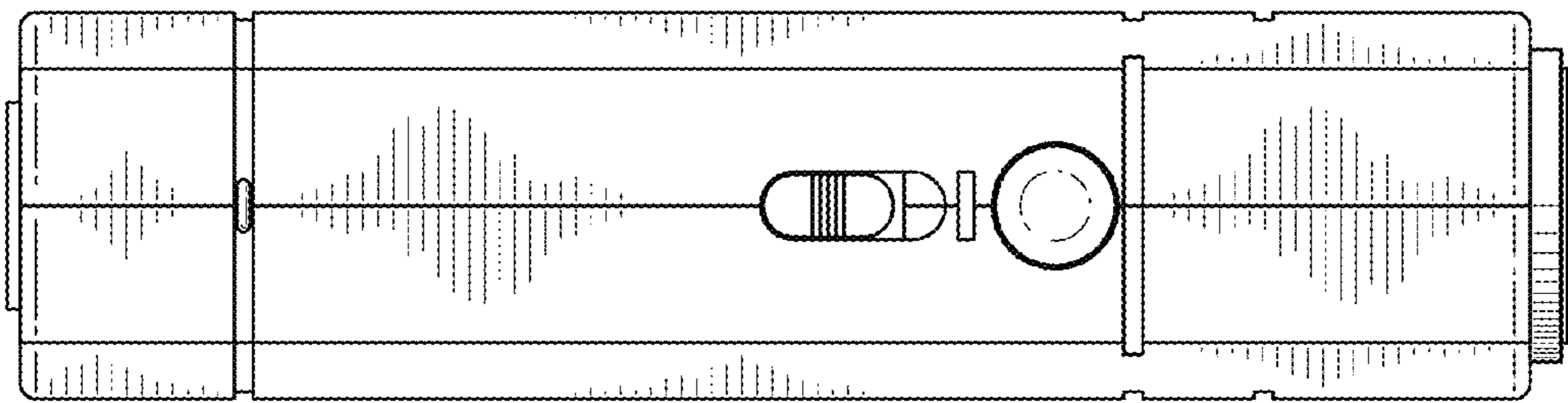


FIG. 7

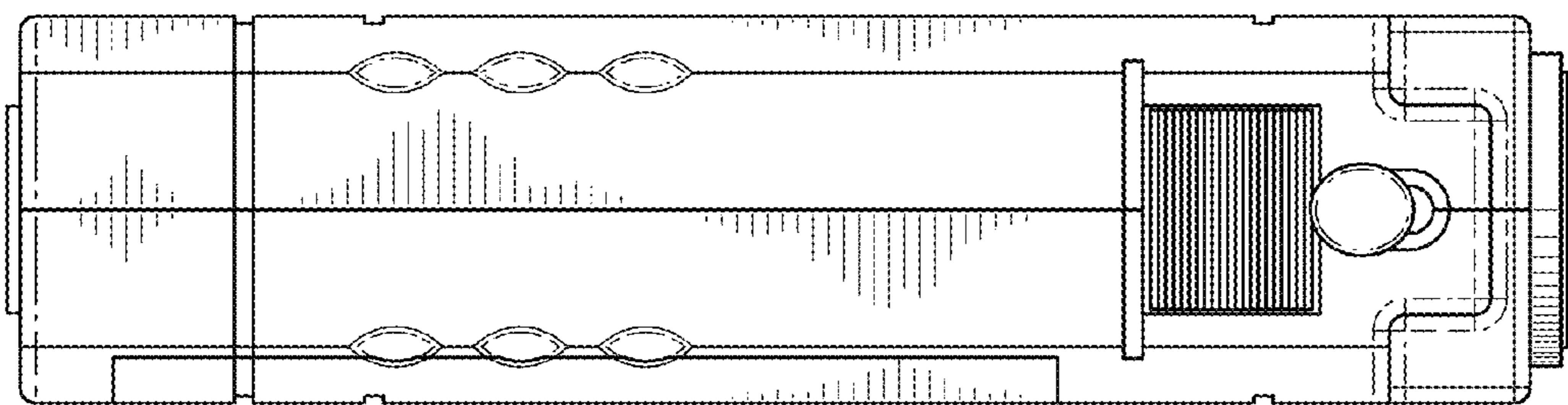


FIG. 8

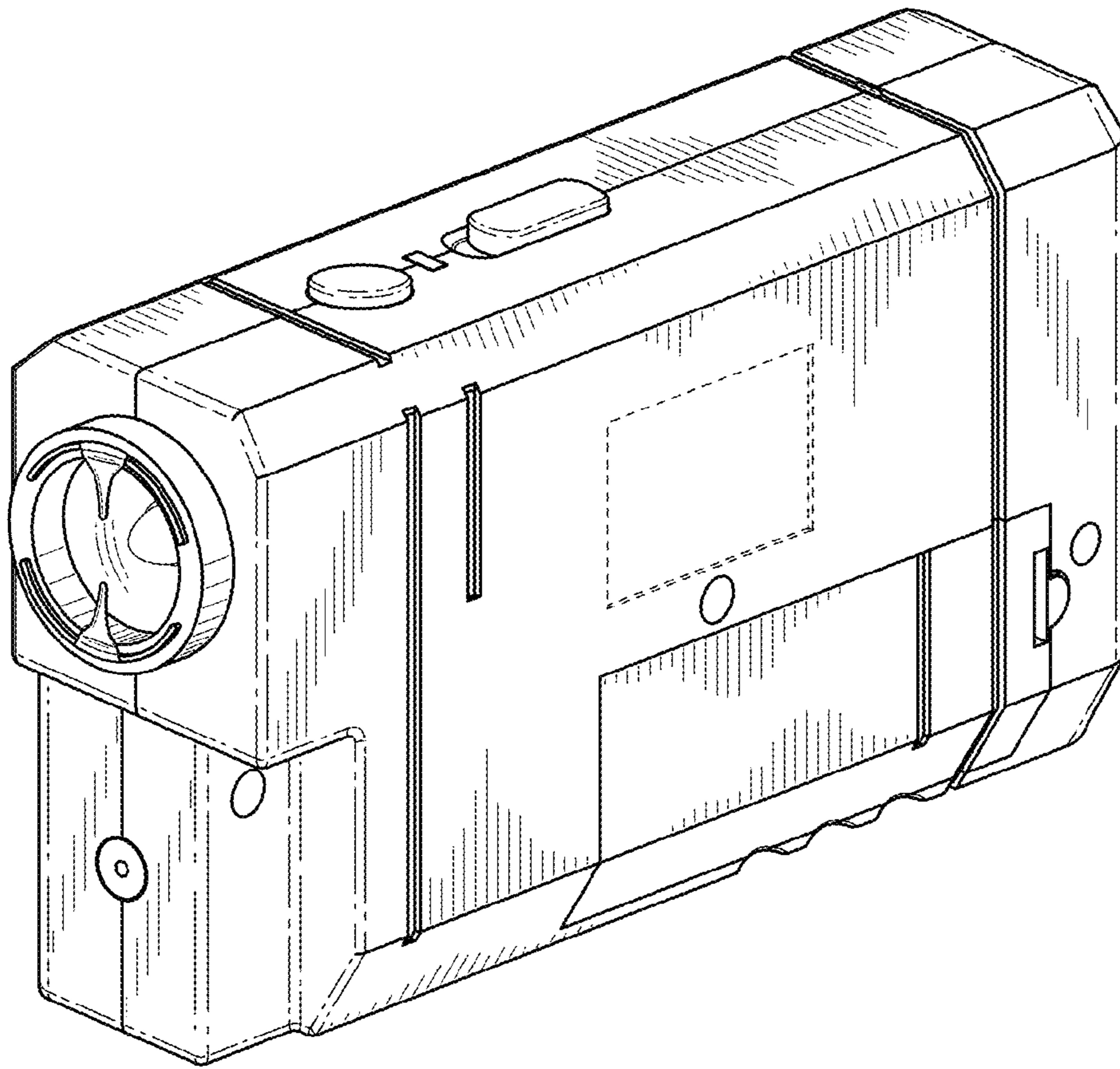


FIG. 9

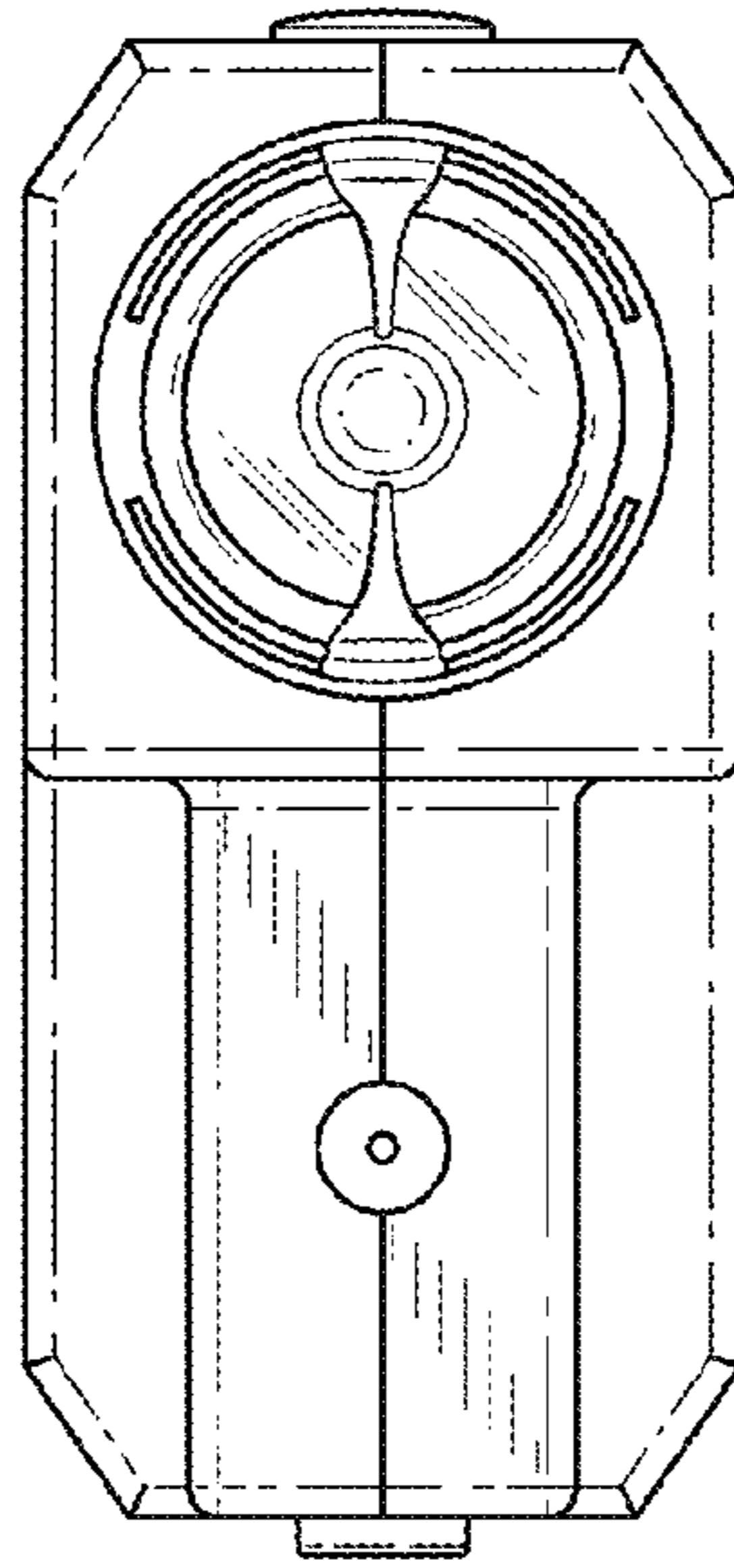


FIG. 10

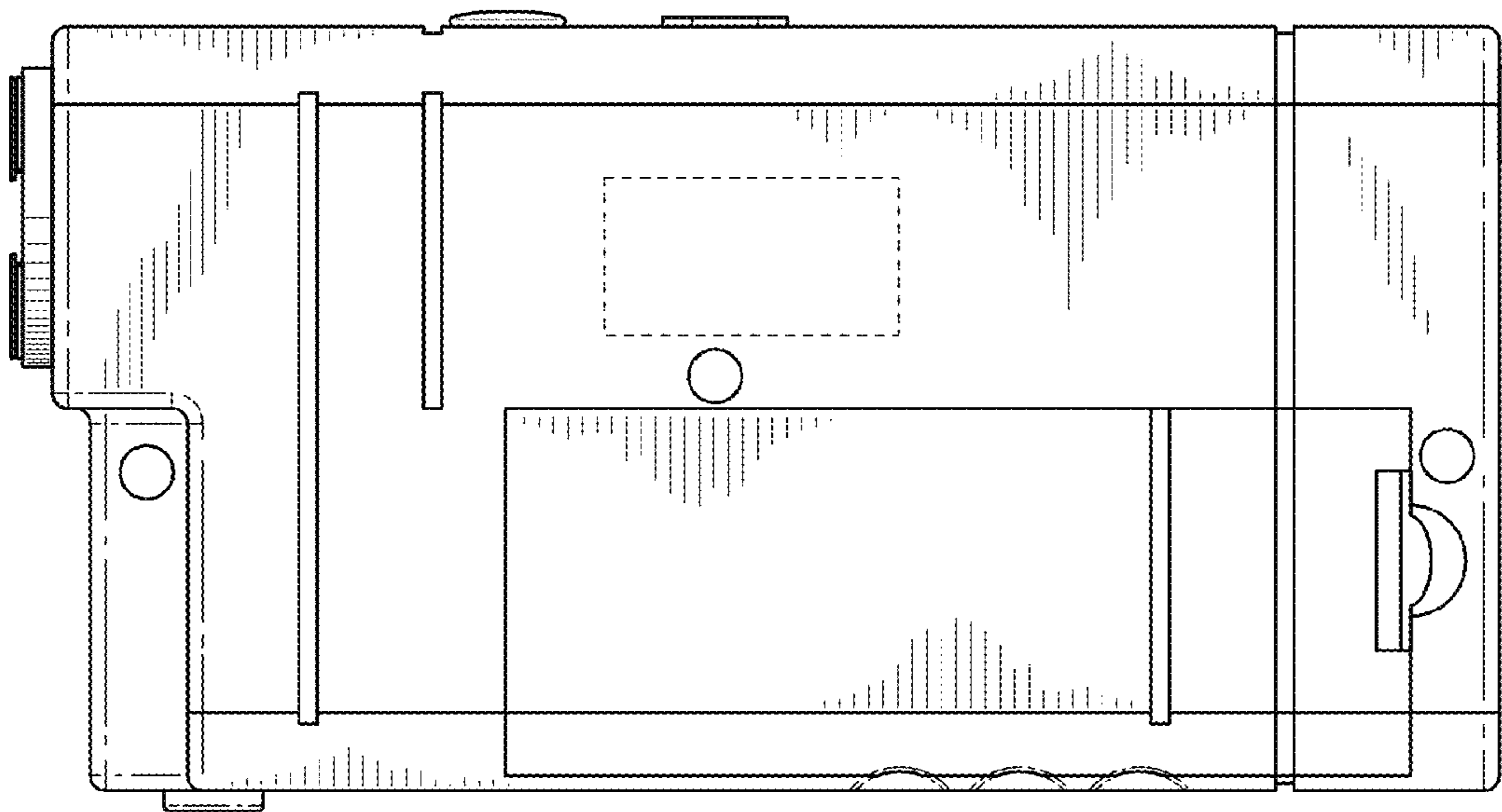


FIG. 11

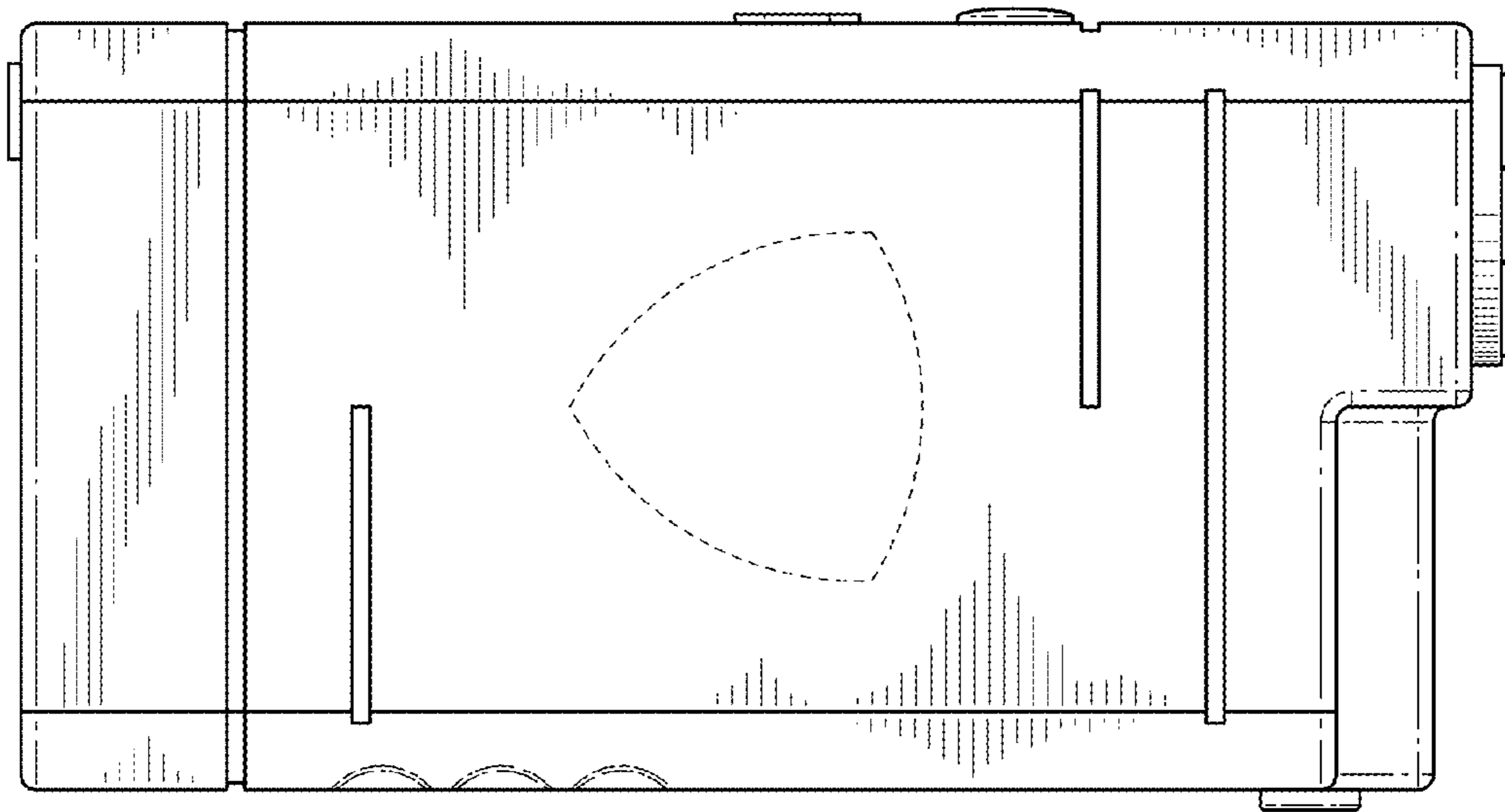


FIG. 12

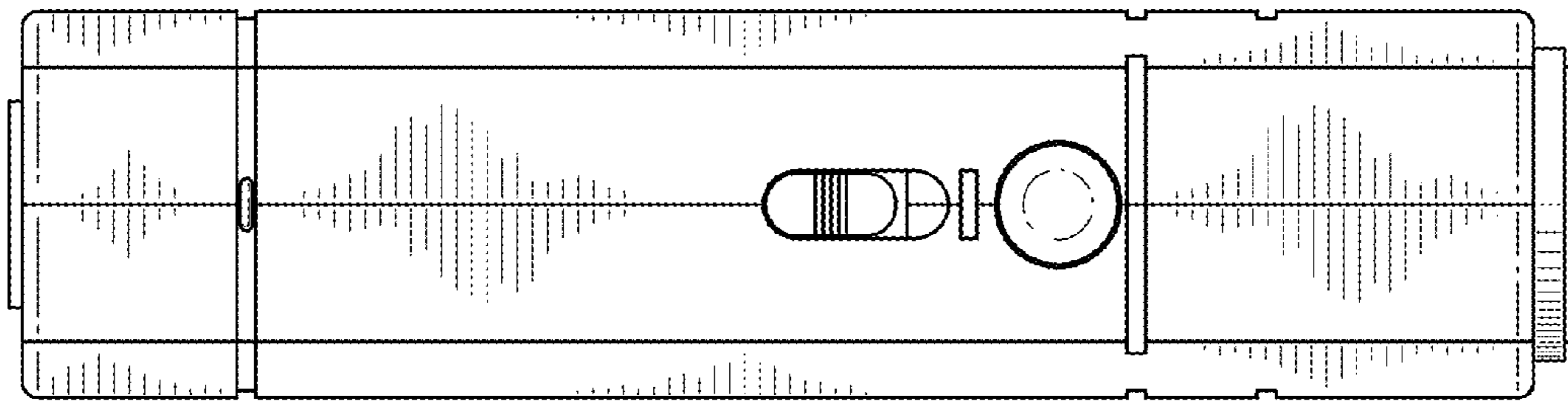


FIG. 13

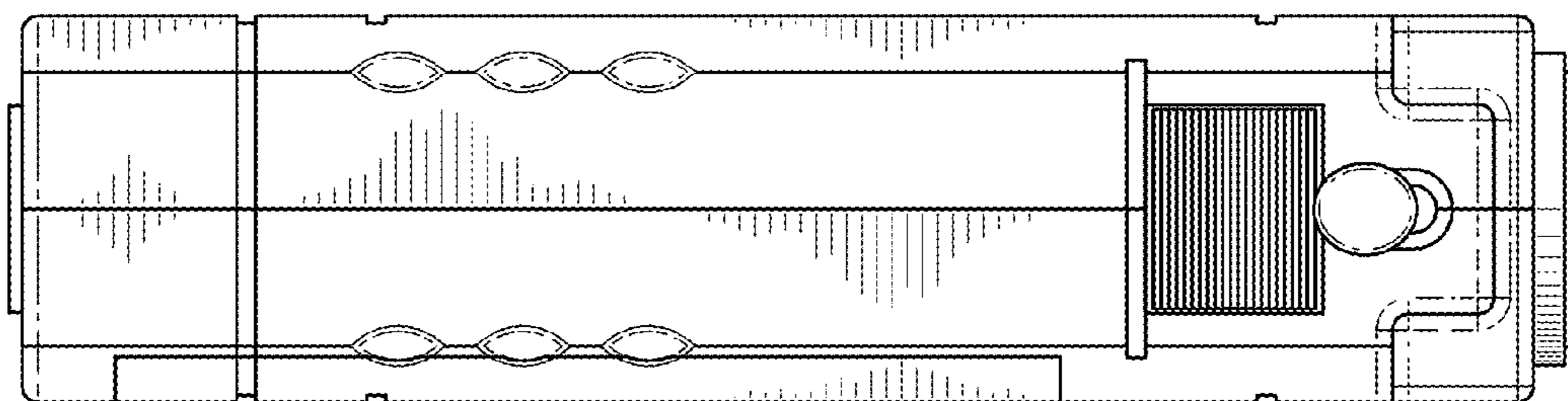


FIG. 14

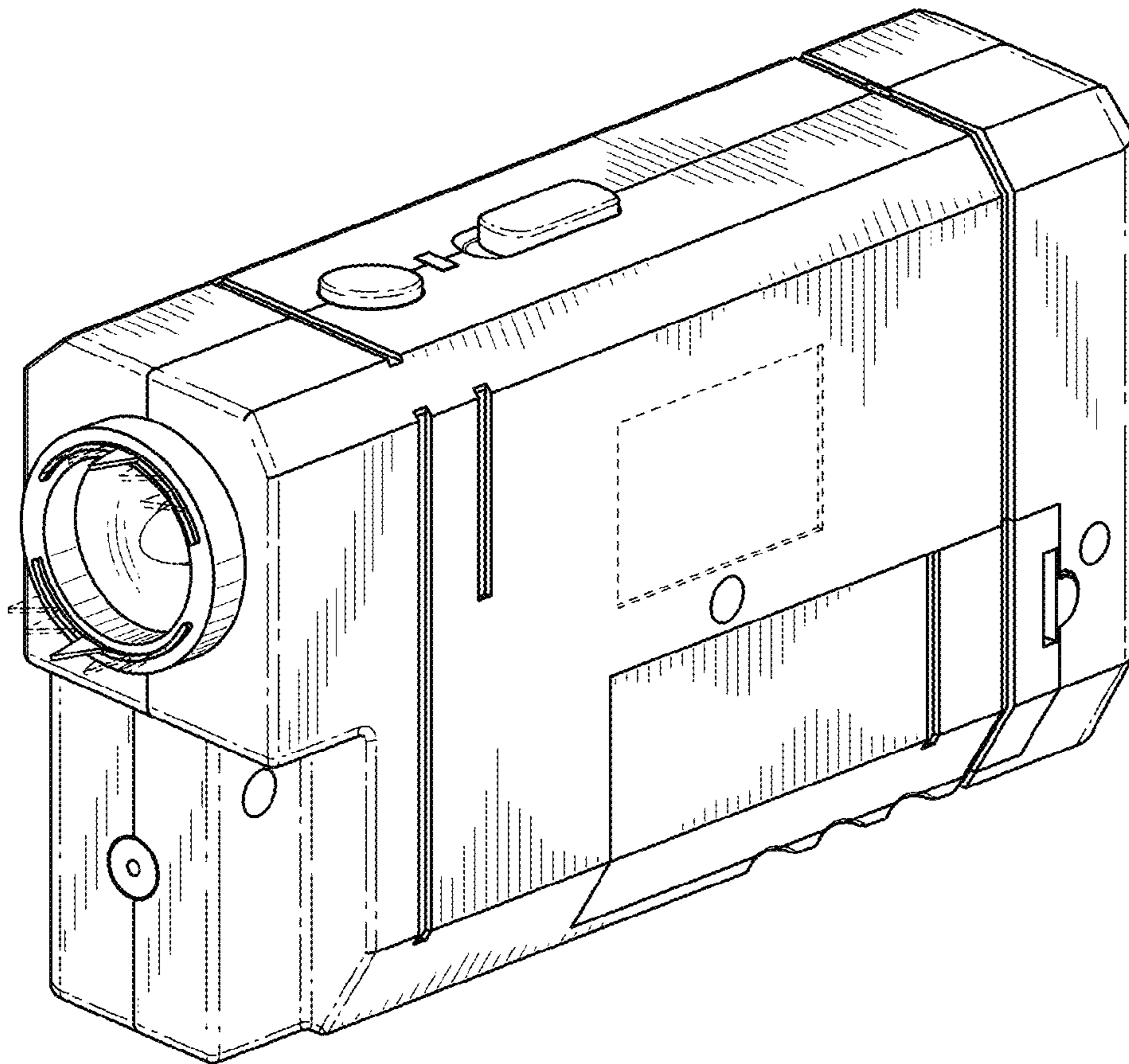


FIG. 15

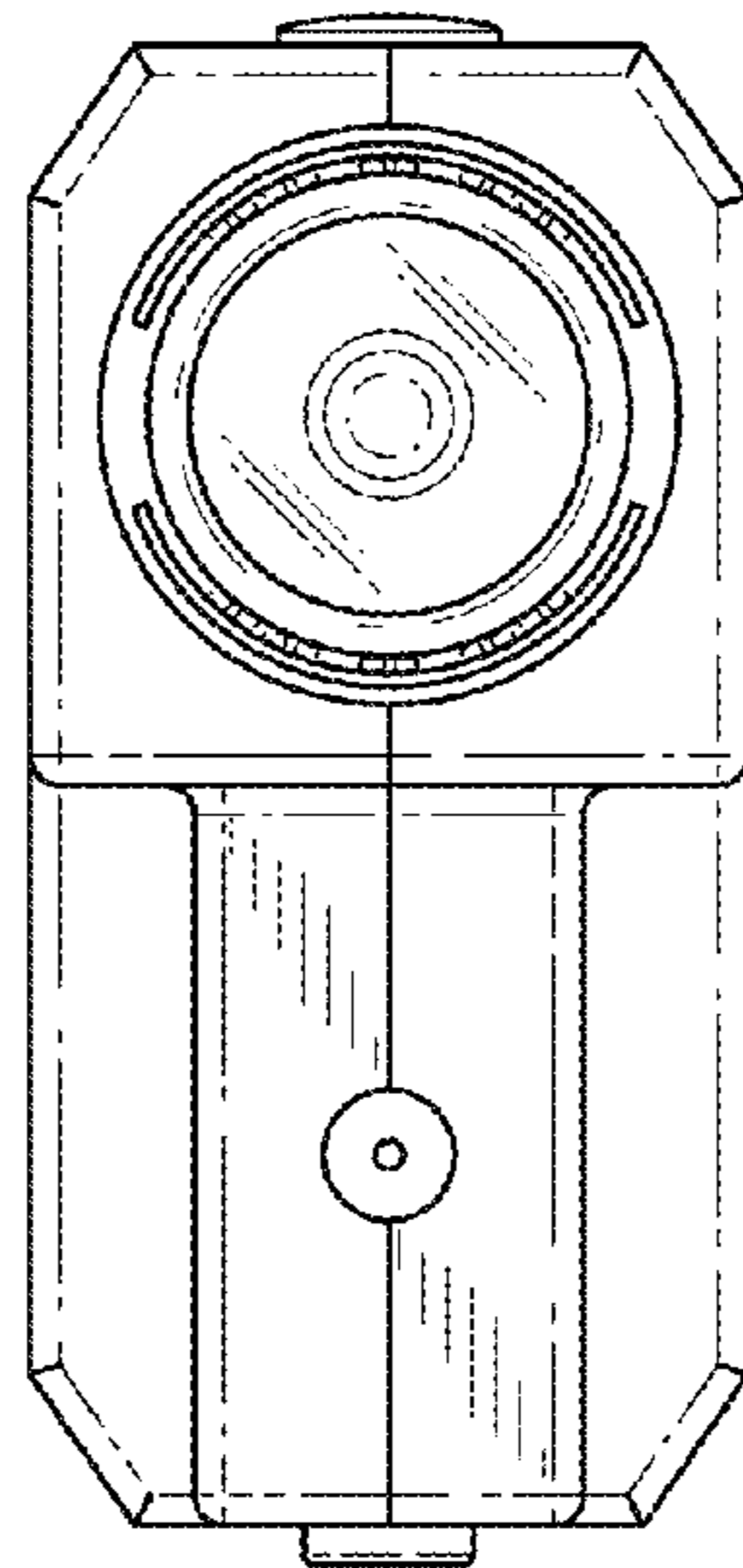


FIG. 16

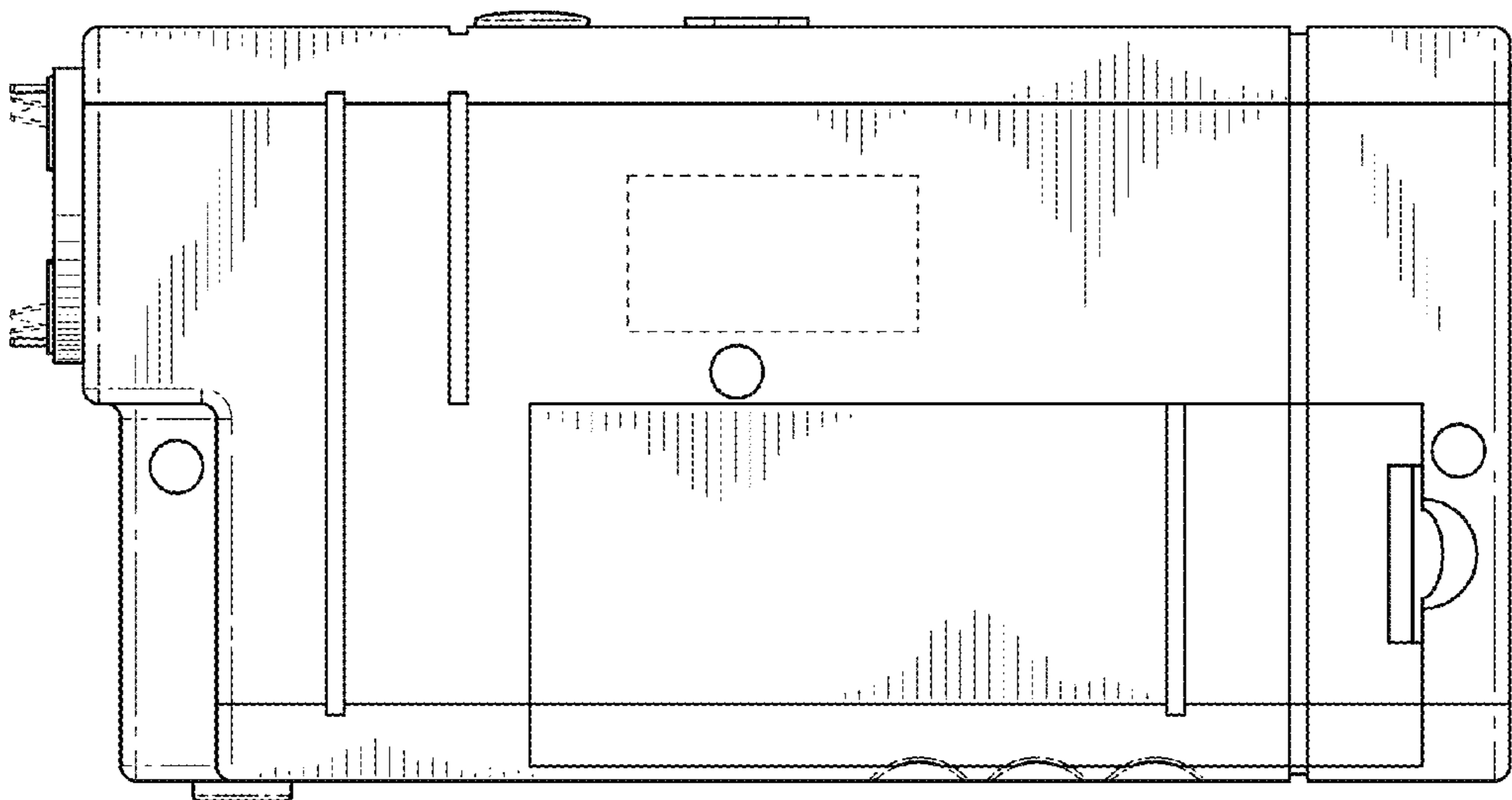


FIG. 17

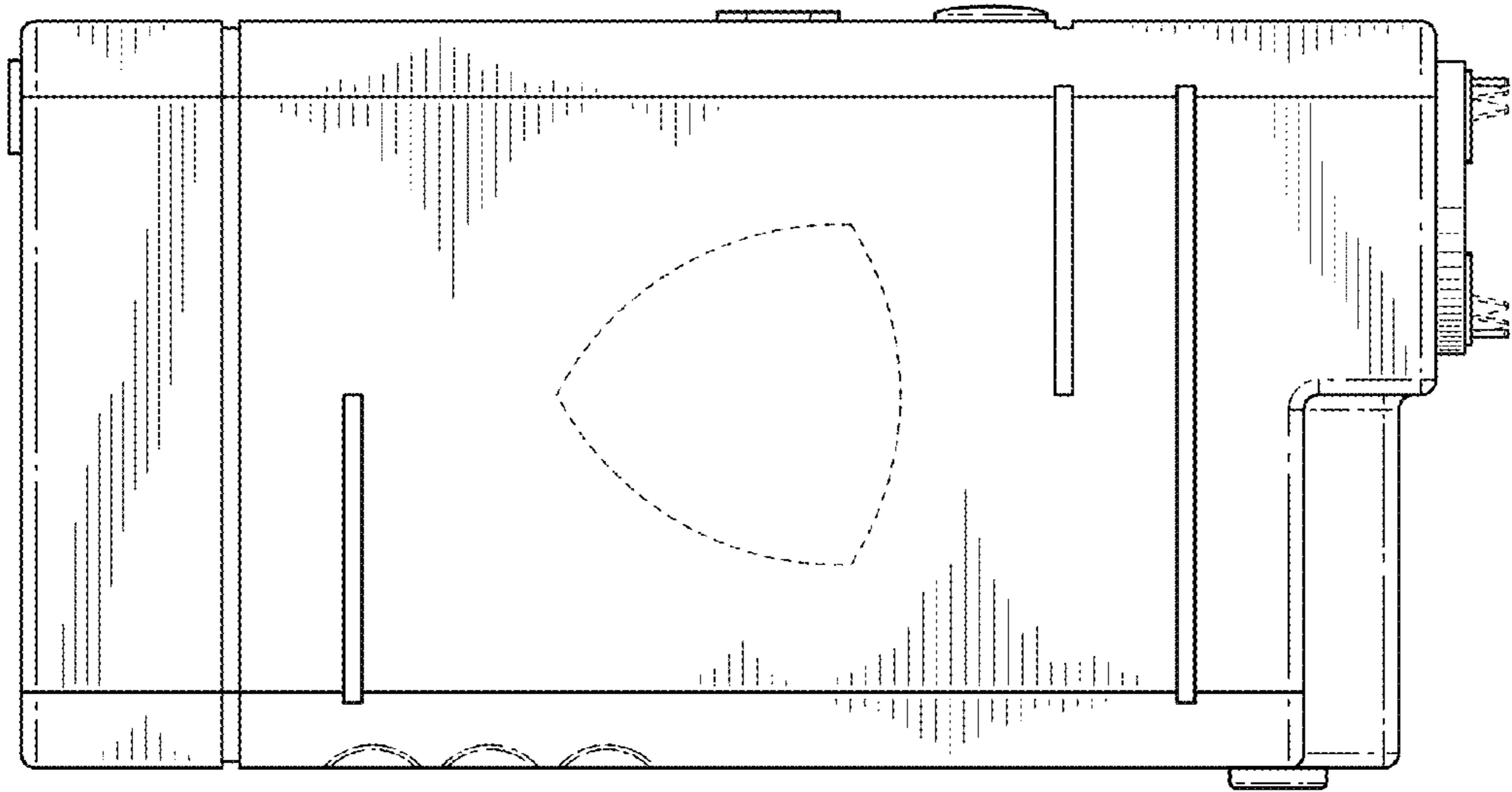


FIG. 18

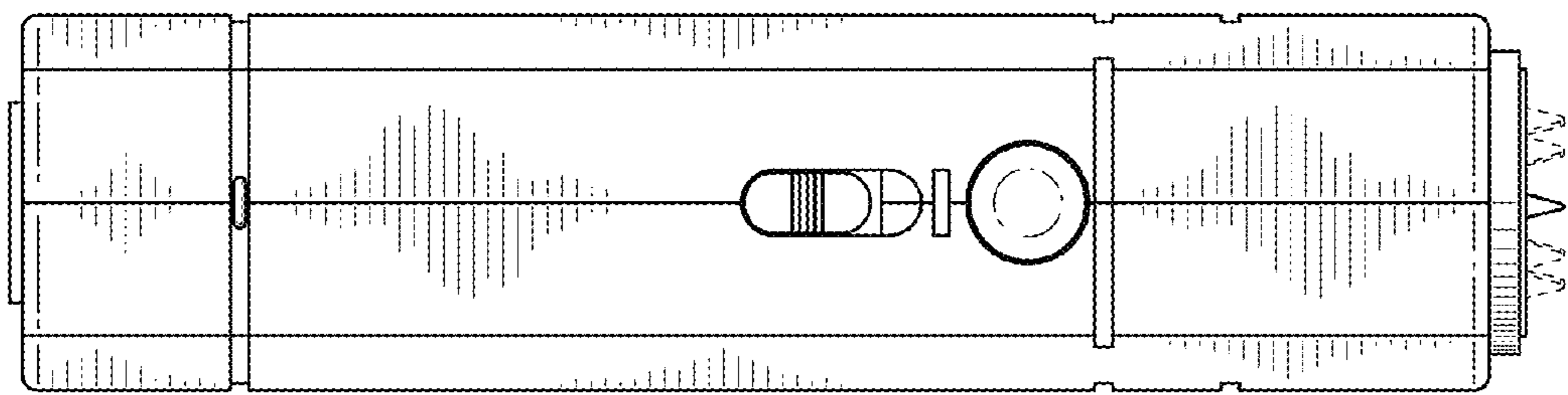


FIG. 19

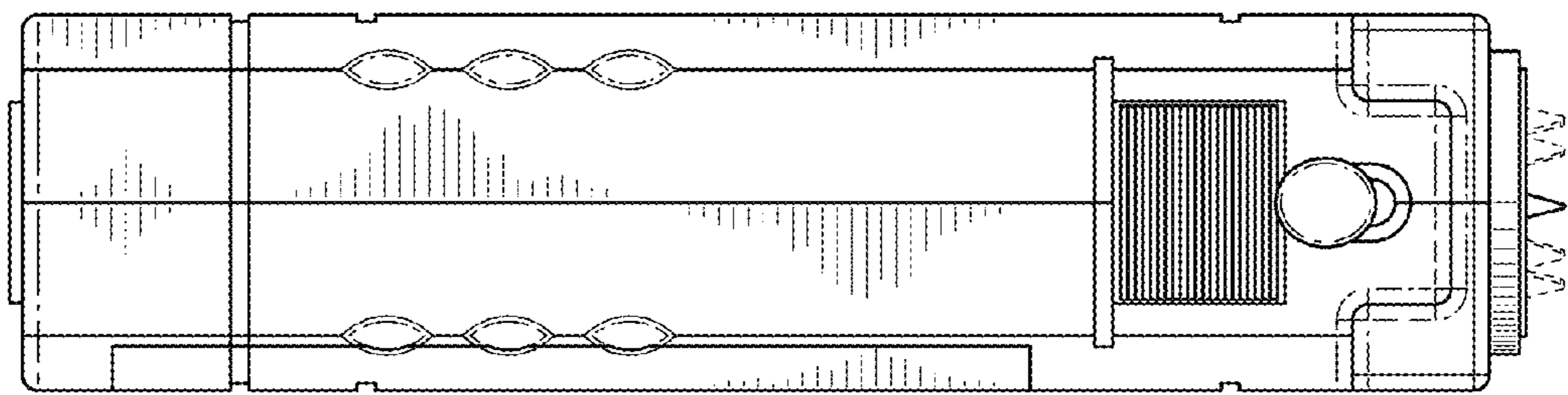


FIG. 20