



US00D747521S

(12) **United States Design Patent**
Sheikh et al.

(10) **Patent No.:** **US D747,521 S**
(45) **Date of Patent:** **** Jan. 12, 2016**

(54) **COMBINATION FLASHLIGHT AND STUN GUN**

(71) Applicants: **Yasar Sheikh**, Sanford, FL (US);
Shabbir Sheikh, Sanford, FL (US)

(72) Inventors: **Yasar Sheikh**, Sanford, FL (US);
Shabbir Sheikh, Sanford, FL (US)

(**) Term: **14 Years**

(21) Appl. No.: **29/503,677**

(22) Filed: **Sep. 29, 2014**

(51) **LOC (10) Cl.** **26-02**

(52) **U.S. Cl.**
USPC **D26/38; D22/117**

(58) **Field of Classification Search**
USPC D26/37-51, 56-60, 67; 362/103-10,
362/184, 194-196; 463/47.3; D22/117
CPC F21L 4/00; F21L 4/022; F21L 4/025;
F21L 4/027; F21L 7/00; F21L 19/00; F21V
21/084; F21V 21/0085; F21W 2111/10;
G08B 15/00; G08B 15/004
See application file for complete search history.

(56) **References Cited**

U.S. PATENT DOCUMENTS

4,968,034 A	11/1990	Hsieh	
D513,334 S	12/2005	Galey	
D535,418 S *	1/2007	Martin D26/37
D541,454 S	4/2007	Galey	
D544,116 S *	6/2007	Wai D26/37
7,278,764 B2	10/2007	Kim	
D565,769 S	4/2008	Shiu	
D578,236 S	10/2008	Dalton	
D578,687 S *	10/2008	Hong D26/37
D585,577 S	1/2009	Bonis	
D586,025 S	2/2009	Bonis	
D595,439 S	6/2009	Haight et al.	
D599,928 S	9/2009	Shiu	
D601,736 S	10/2009	Swan	
D603,988 S	11/2009	Sharrah	
D611,115 S	3/2010	Pennington	

D629,542 S	12/2010	Robinson	
D629,544 S	12/2010	Deguglimo et al.	
D629,546 S	12/2010	Deguglimo et al.	
D646,346 S	10/2011	Rae	
D647,232 S	10/2011	Liu	
D647,654 S	10/2011	Li	
D648,467 S	11/2011	Nguyen et al.	
D649,670 S	11/2011	Robinson	
D666,344 S	8/2012	Lee	
D690,383 S *	9/2013	Sheikh D22/117
D706,897 S *	6/2014	Sheikh D22/117

* cited by examiner

Primary Examiner — Sandra Morris

(74) *Attorney, Agent, or Firm* — QuickPatents; Kevin Prince

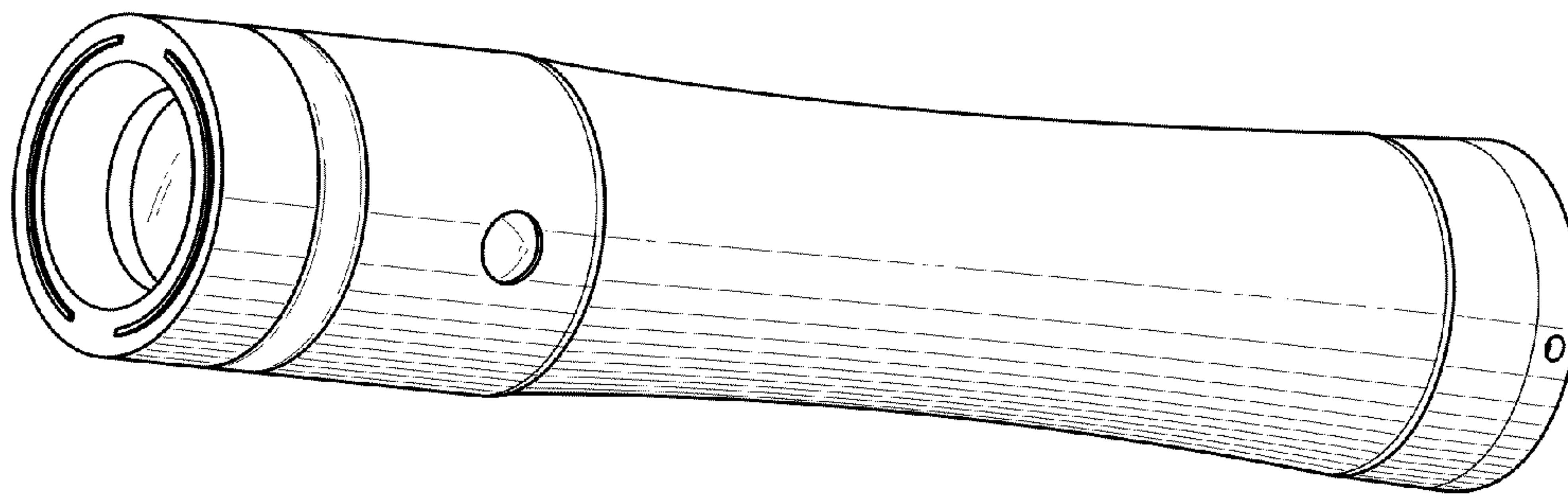
(57) **CLAIM**

We claim the ornamental design for a combination flashlight and stun gun, as shown and described.

DESCRIPTION

FIG. 1 is a front perspective view of a combination flashlight and stun gun, showing our new design;
 FIG. 2 is a rear perspective view thereof;
 FIG. 3 is a front elevational view thereof;
 FIG. 4 is a rear elevational view thereof;
 FIG. 5 is a right-side elevational view thereof, the left-side elevational view being a mirror image thereof;
 FIG. 6 is a top plan view thereof;
 FIG. 7 is a bottom plan view thereof;
 FIG. 8 is a front perspective view of a second embodiment thereof;
 FIG. 9 is a front elevational view of FIG. 8;
 FIG. 10 is a front perspective view of a third embodiment thereof;
 FIG. 11 is a front elevational view of FIG. 10;
 FIG. 12 is a right-side elevational view of FIG. 10, the left-side elevational view being a mirror image thereof;
 FIG. 13 is a top plan view of FIG. 10; and,
 FIG. 14 is a bottom plan view of FIG. 10.
 The broken lines showing a bulb and prongs form no part of the claimed design.

1 Claim, 6 Drawing Sheets



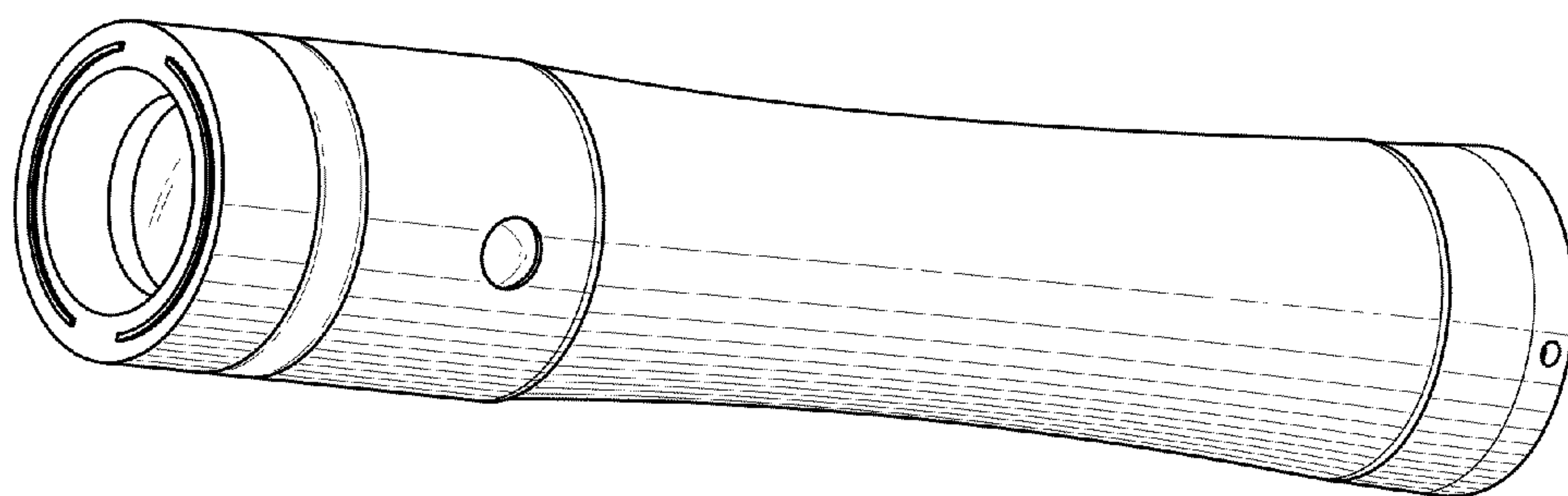


FIG. 1

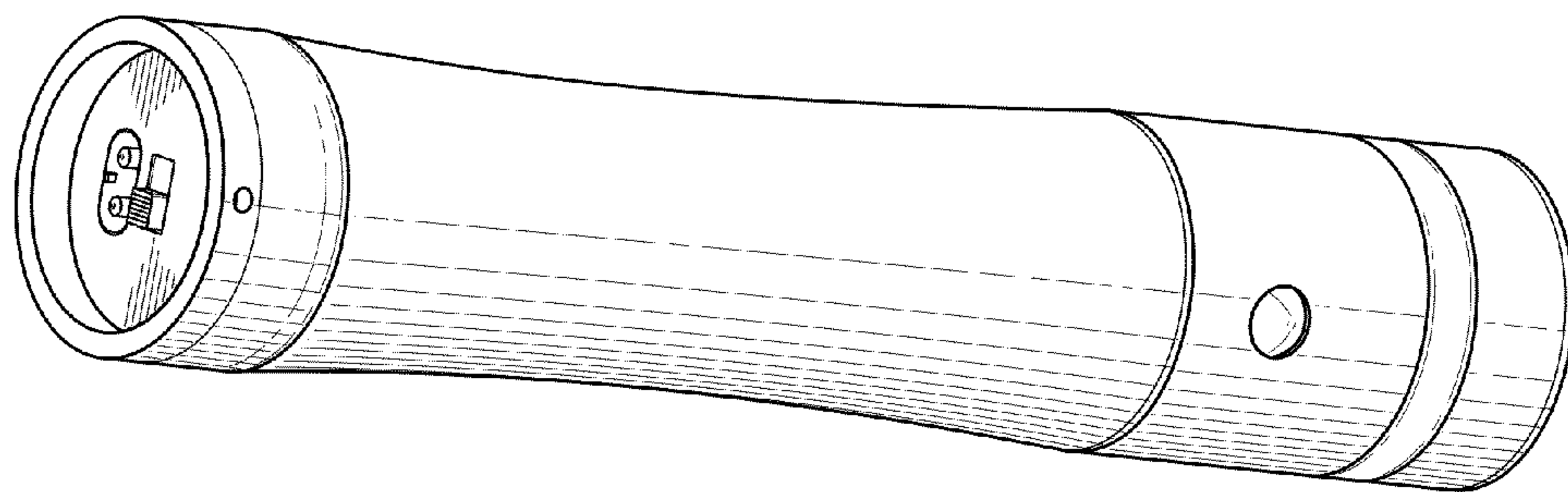


FIG. 2

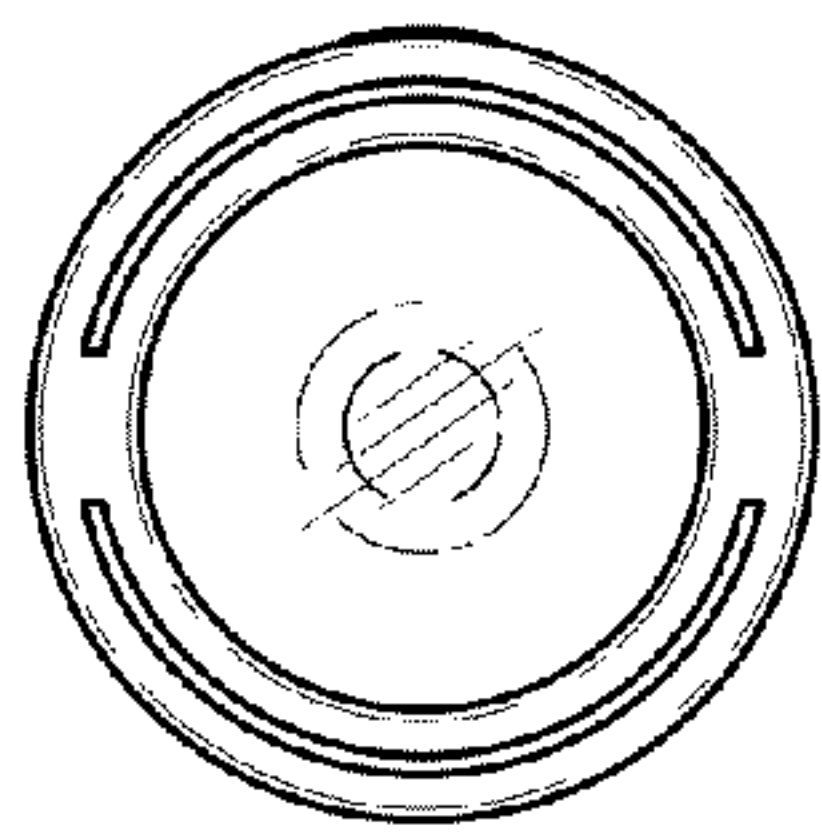


FIG. 3

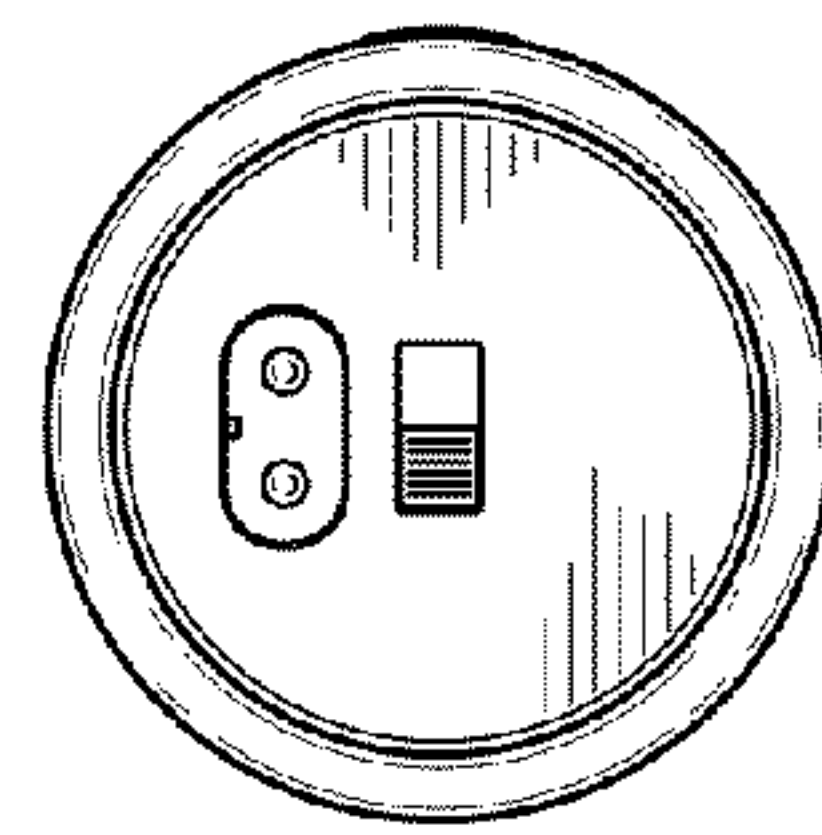


FIG. 4

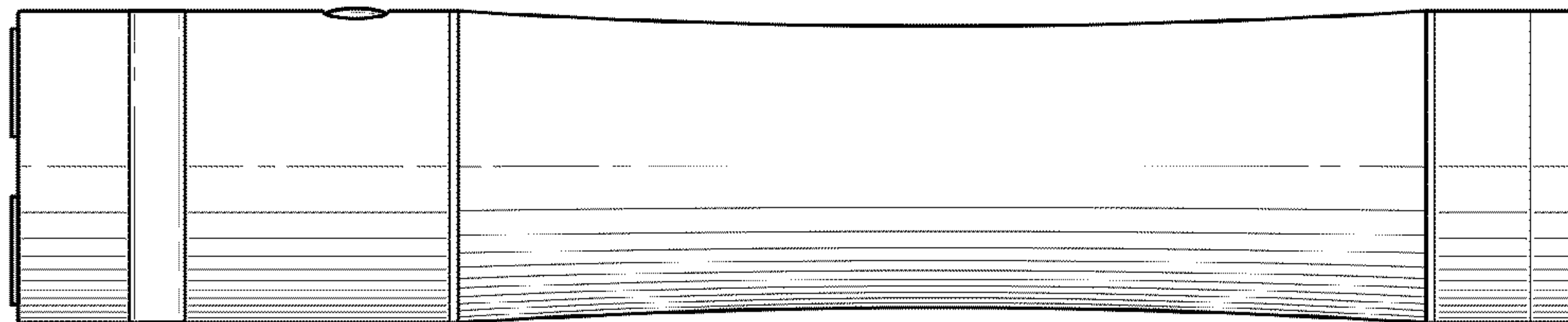


FIG. 5

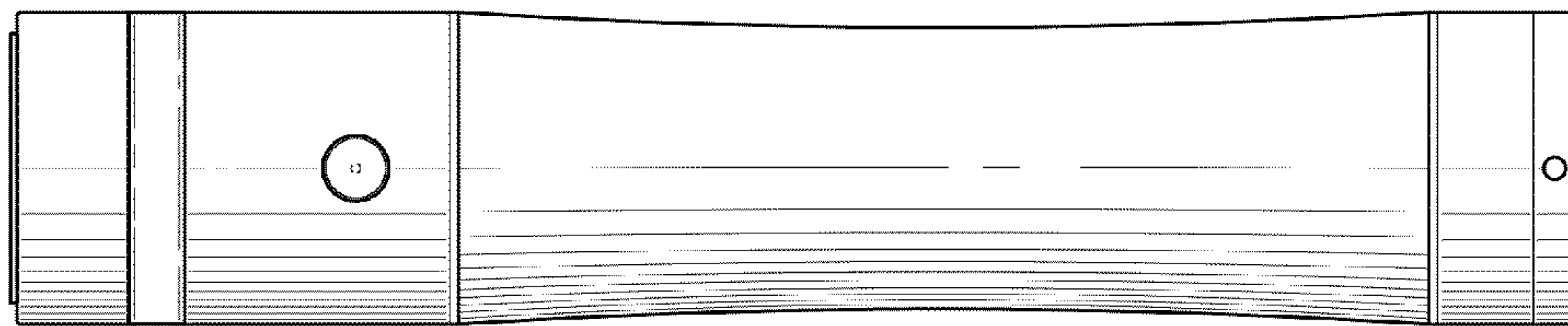


FIG. 6

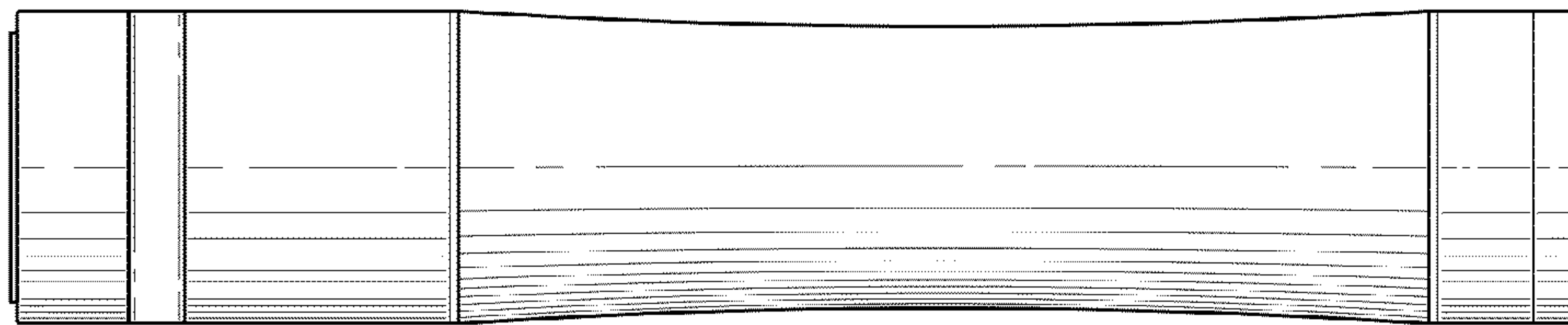


FIG. 7

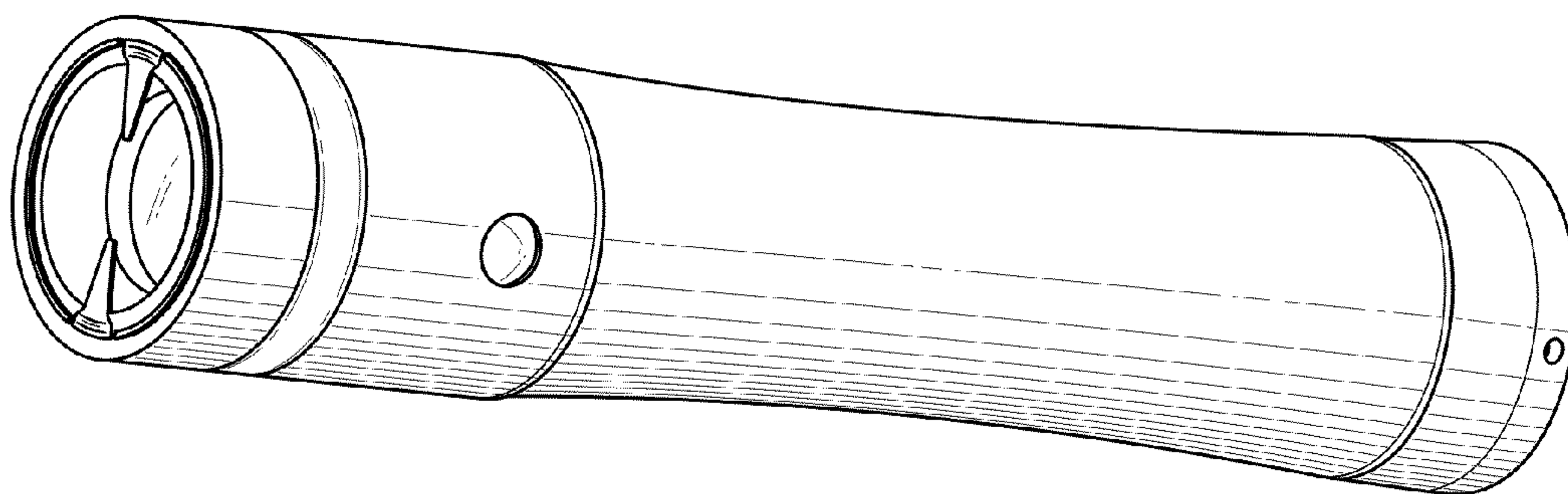


FIG. 8

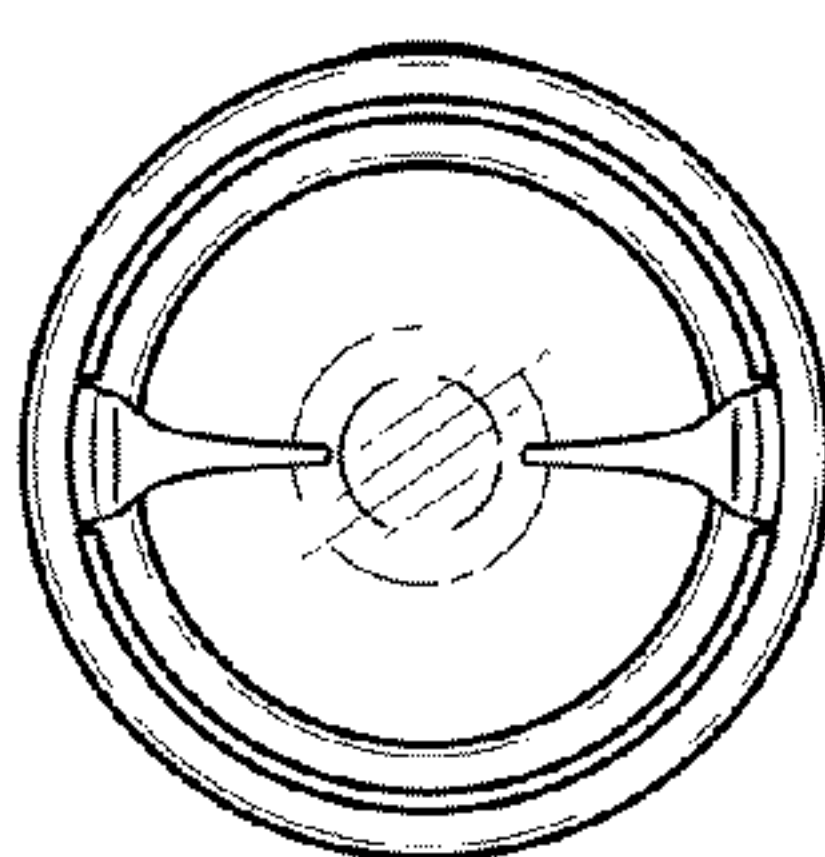


FIG. 9

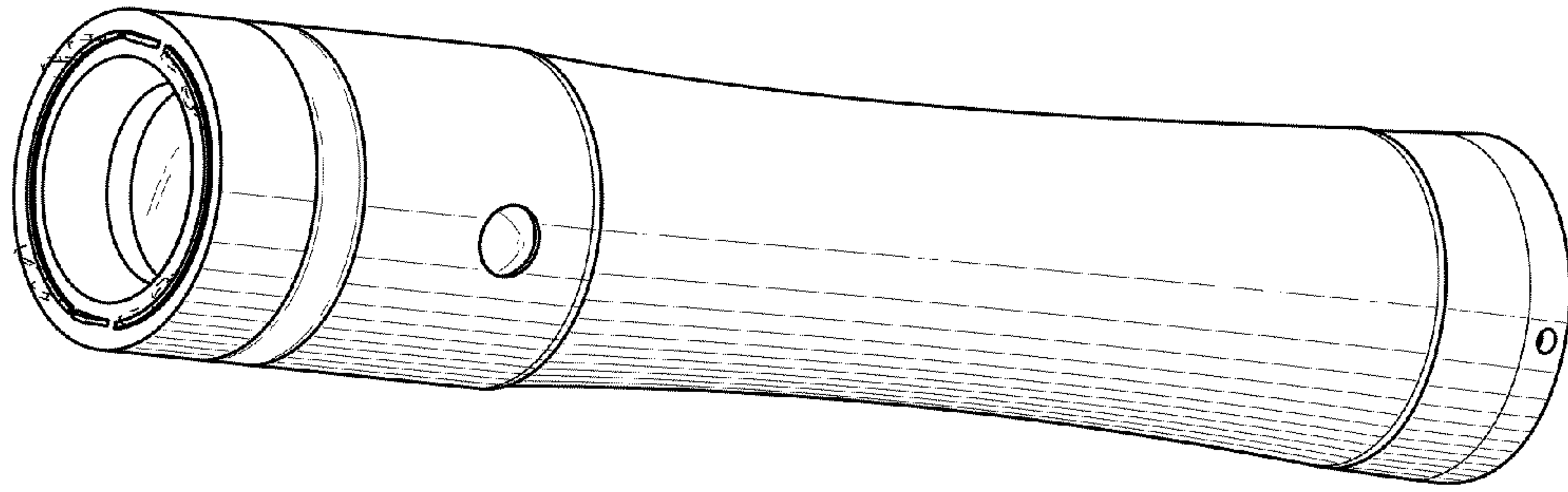


FIG. 10

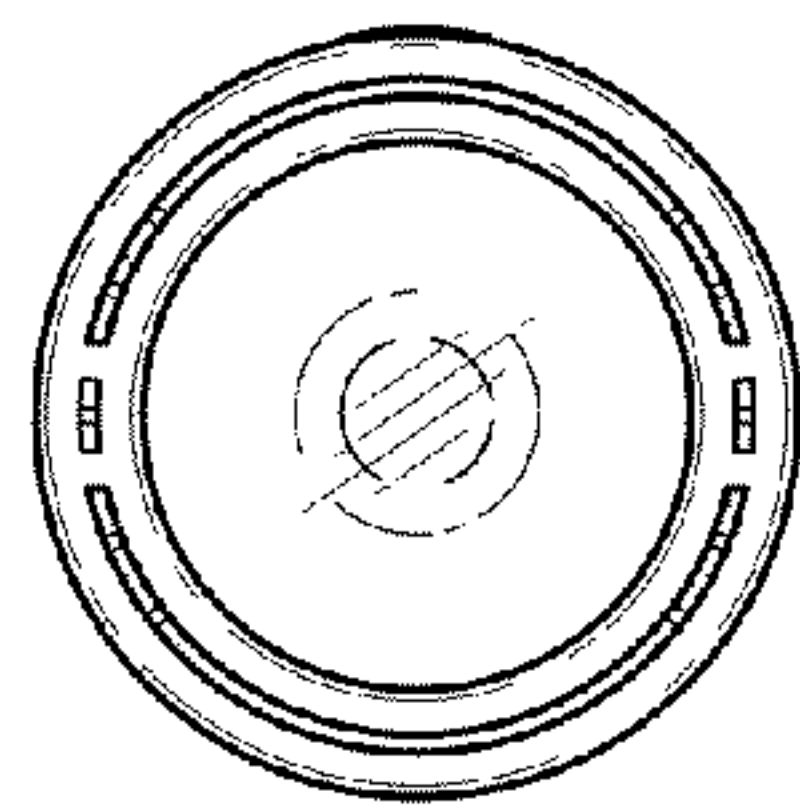


FIG. 11

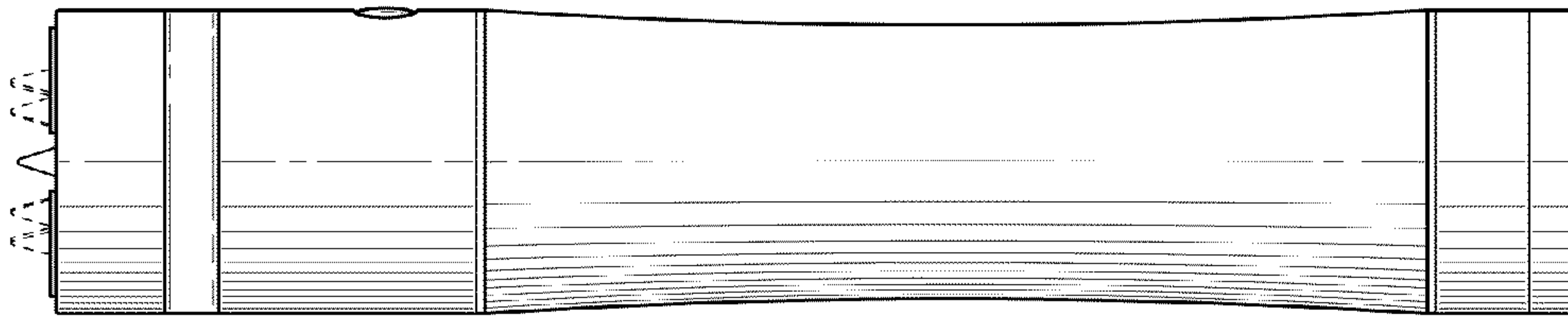


FIG. 12

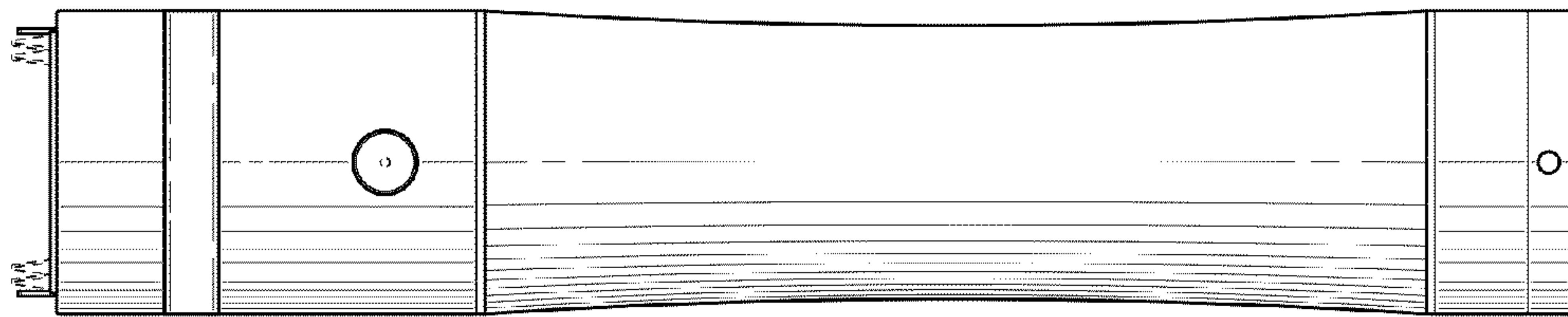


FIG. 13

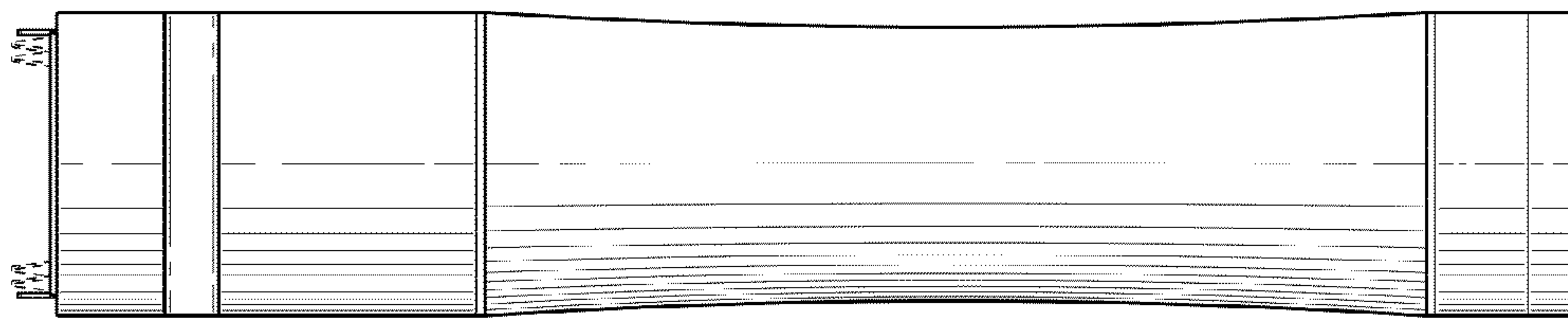


FIG. 14