



US00D747519S

(12) **United States Design Patent**
Kim

(10) **Patent No.:** **US D747,519 S**
(45) **Date of Patent:** **** Jan. 12, 2016**

(54) **HEADLIGHT FOR A VEHICLE**

(56) **References Cited**

(71) Applicant: **Bayerische Motoren Werke**
Aktiengesellschaft, Munich (DE)

(72) Inventor: **Richard Kim, Los Angeles, CA (US)**

(73) Assignee: **Bayerische Motoren Werke**
Atiengesellschaft, Munich (DE)

(**) Term: **15 Years**

(21) Appl. No.: **29/533,899**

(22) Filed: **Jul. 23, 2015**

U.S. PATENT DOCUMENTS

D490,174 S	5/2004	Lin	
D493,550 S	7/2004	Lin	
D495,813 S	9/2004	Lin	
D528,681 S	9/2006	Nakahara	
D550,380 S *	9/2007	Lin	D26/28
D560,291 S *	1/2008	Koyama	D26/28
D560,832 S *	1/2008	Hsu	D26/28
D561,358 S *	2/2008	Tachibana	D26/28
D561,359 S *	2/2008	Hsu	D26/28
D563,576 S *	3/2008	Hanaoka	D26/28
D569,533 S *	5/2008	Hsu	D26/28
D570,007 S *	5/2008	Hsu	D26/28
D593,232 S *	5/2009	Koman	D26/28

* cited by examiner

Primary Examiner — Marcus Jackson

(74) *Attorney, Agent, or Firm* — Crowell & Moring LLP

(57) **CLAIM**

The ornamental design for a headlight for a vehicle, as shown and described.

DESCRIPTION

This application contains subject matter related to the following U.S. design patent application:

Application Ser. No. 29/455,787, filed May 24, 2013, now U.S. Pat. No. D714,190, and entitled "Vehicle, Toy, and/or Replicas Thereof."

FIG. 1 is a front view of a headlight for a vehicle according to the design;

FIG. 2 is a right, front perspective view thereof;

FIG. 3 is a left, front perspective view thereof;

FIG. 4 is a right side view thereof;

FIG. 5 is a left side view thereof;

FIG. 6 is a top view thereof;

FIG. 7 is a bottom view thereof; and,

FIG. 8 is a rear view thereof.

1 Claim, 8 Drawing Sheets

Related U.S. Application Data

(62) Division of application No. 29/455,788, filed on May 24, 2013.

Foreign Application Priority Data

Nov. 26, 2012 (DE) 40 2012 101 029

(51) **LOC (10) Cl.** **26-06**

(52) **U.S. Cl.**
USPC **D26/28**

(58) **Field of Classification Search**
USPC D26/28-36; 362/459-468, 475-478,
362/485-487

CPC F21S 48/00; F21S 48/10; F21S 48/115;
F21S 48/225; F21S 48/2281; F21S 48/1233;
F21S 48/1266; F21S 48/1388; F21V 21/04

See application file for complete search history.



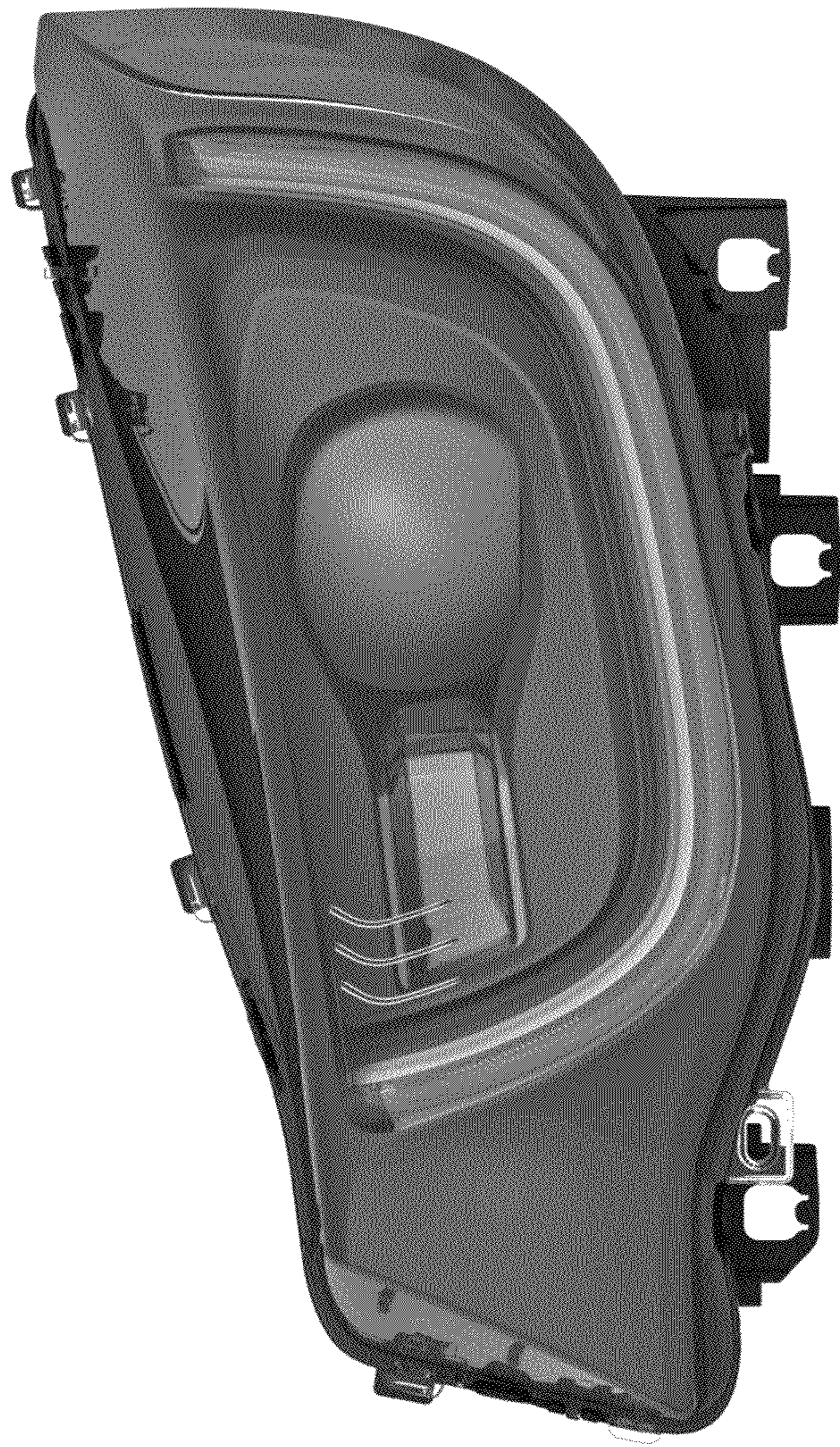


Fig. 1

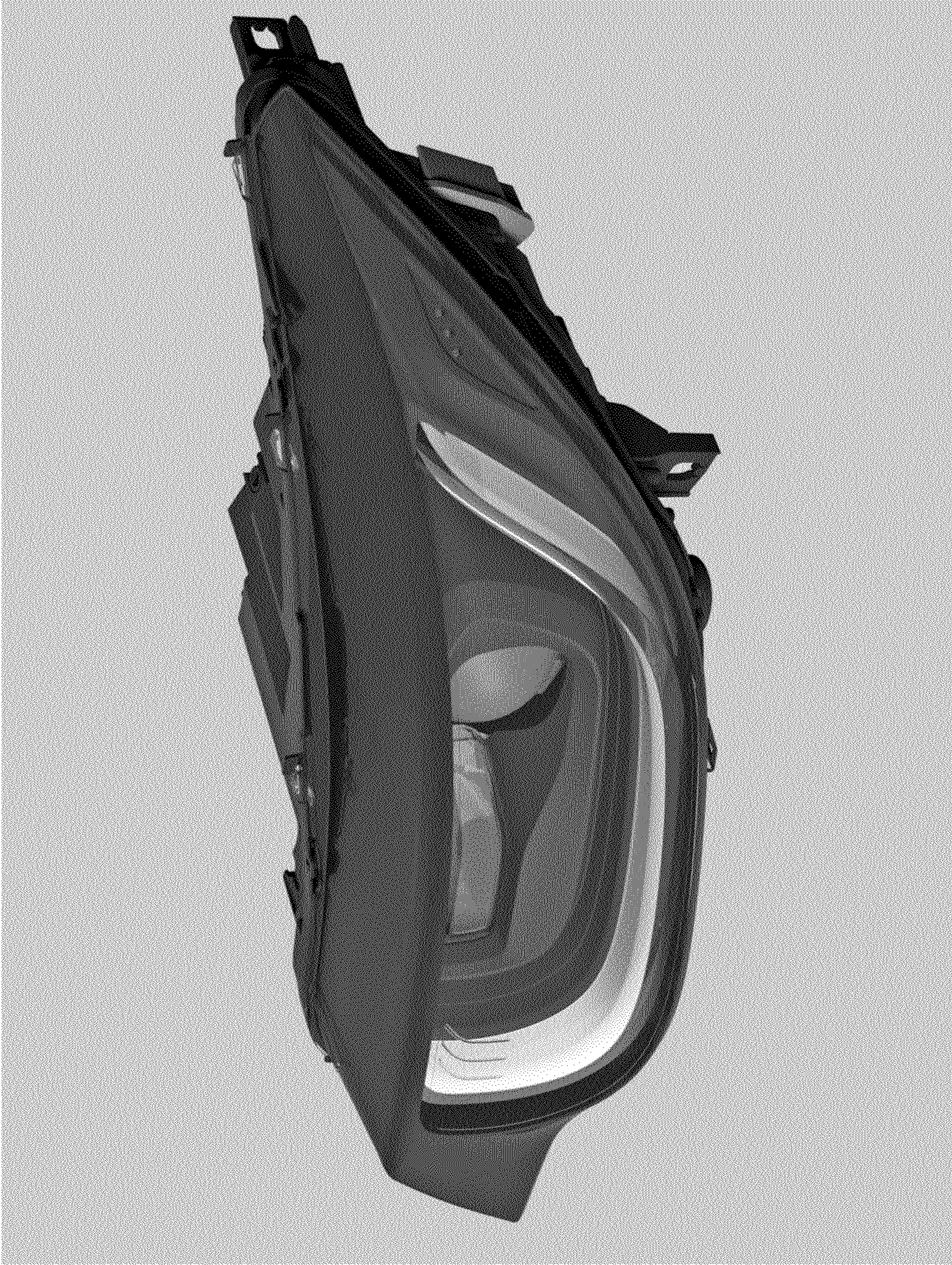


Fig. 2



Fig. 3

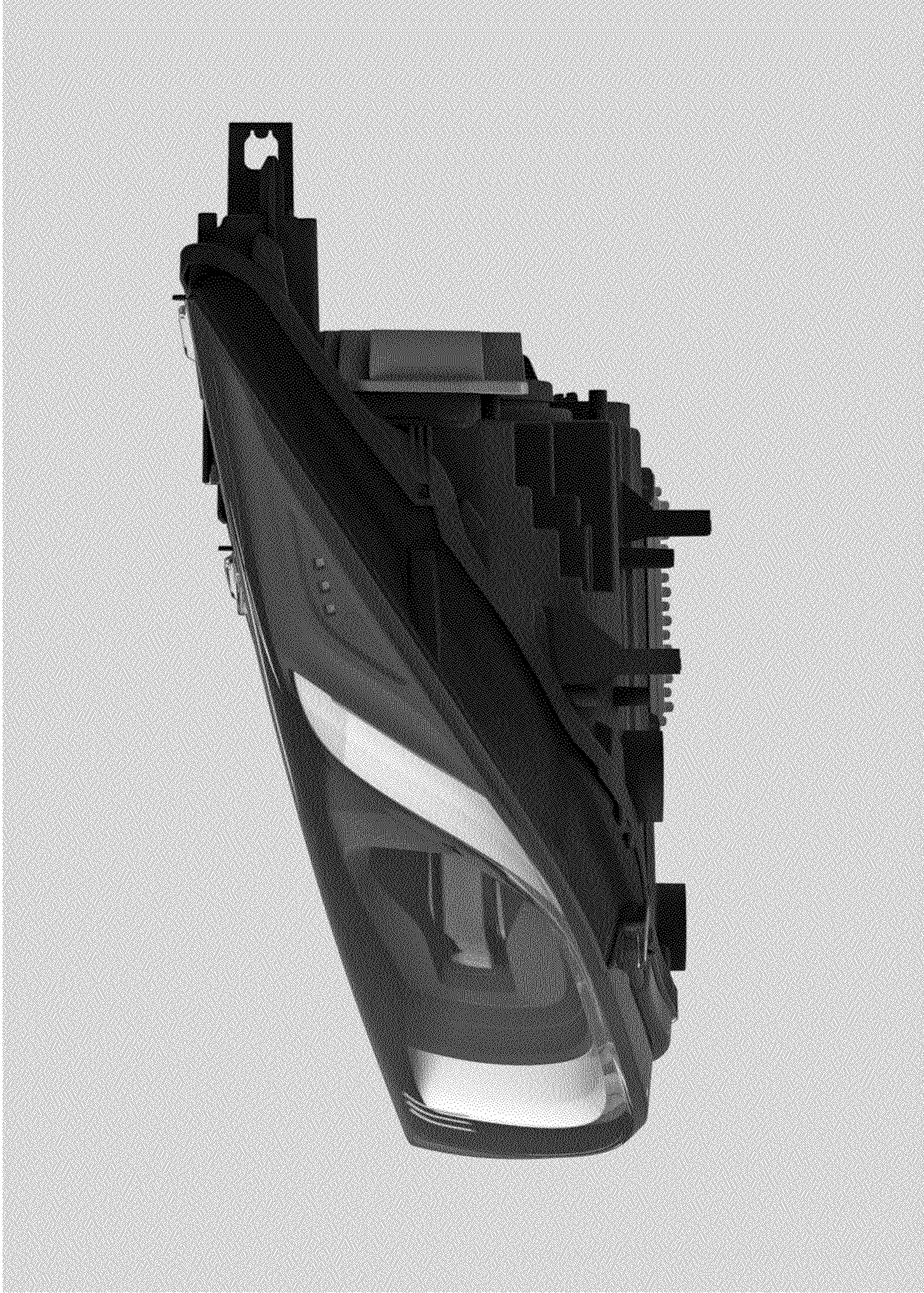


Fig. 4

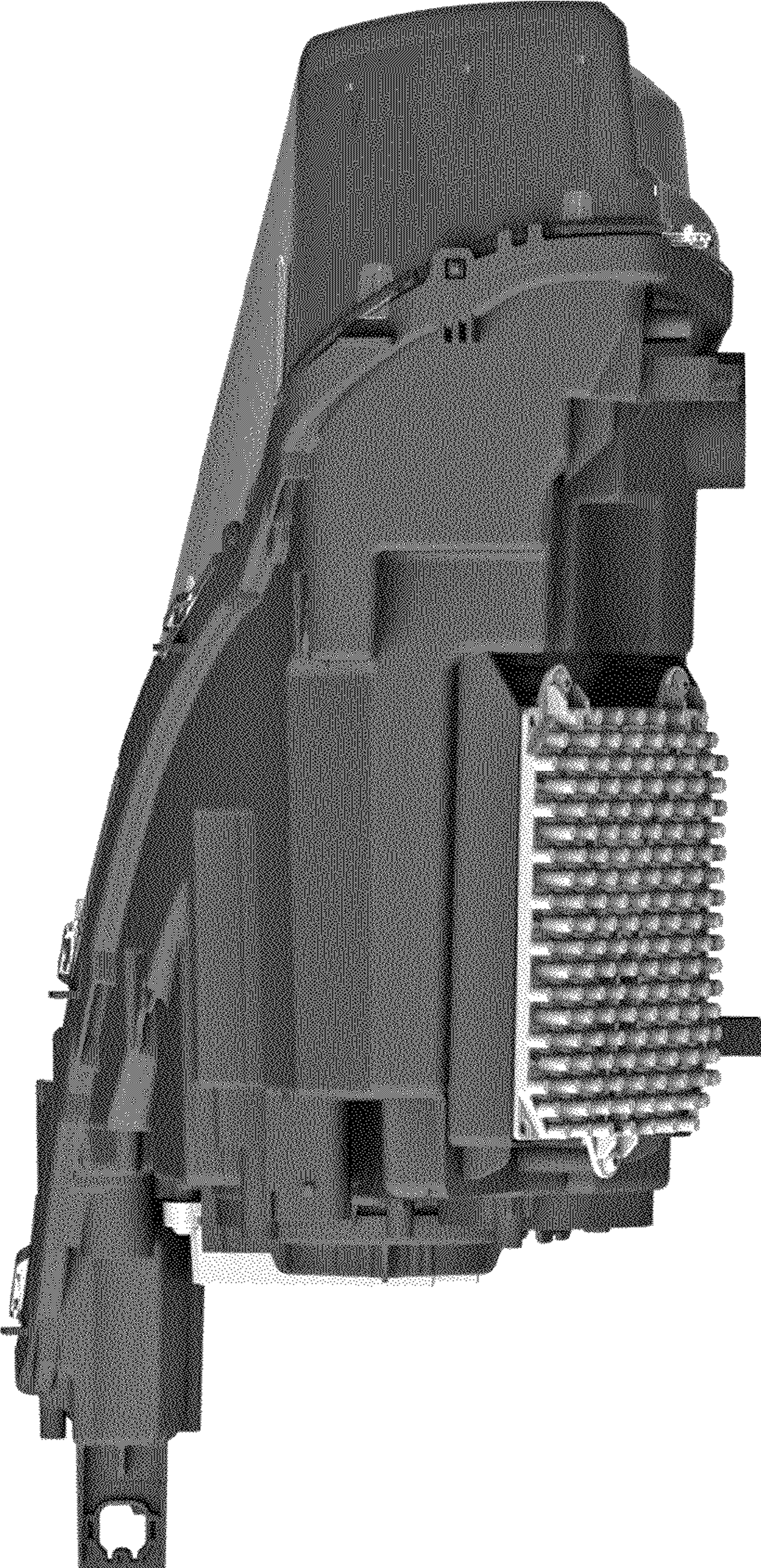


Fig. 5



Fig. 6

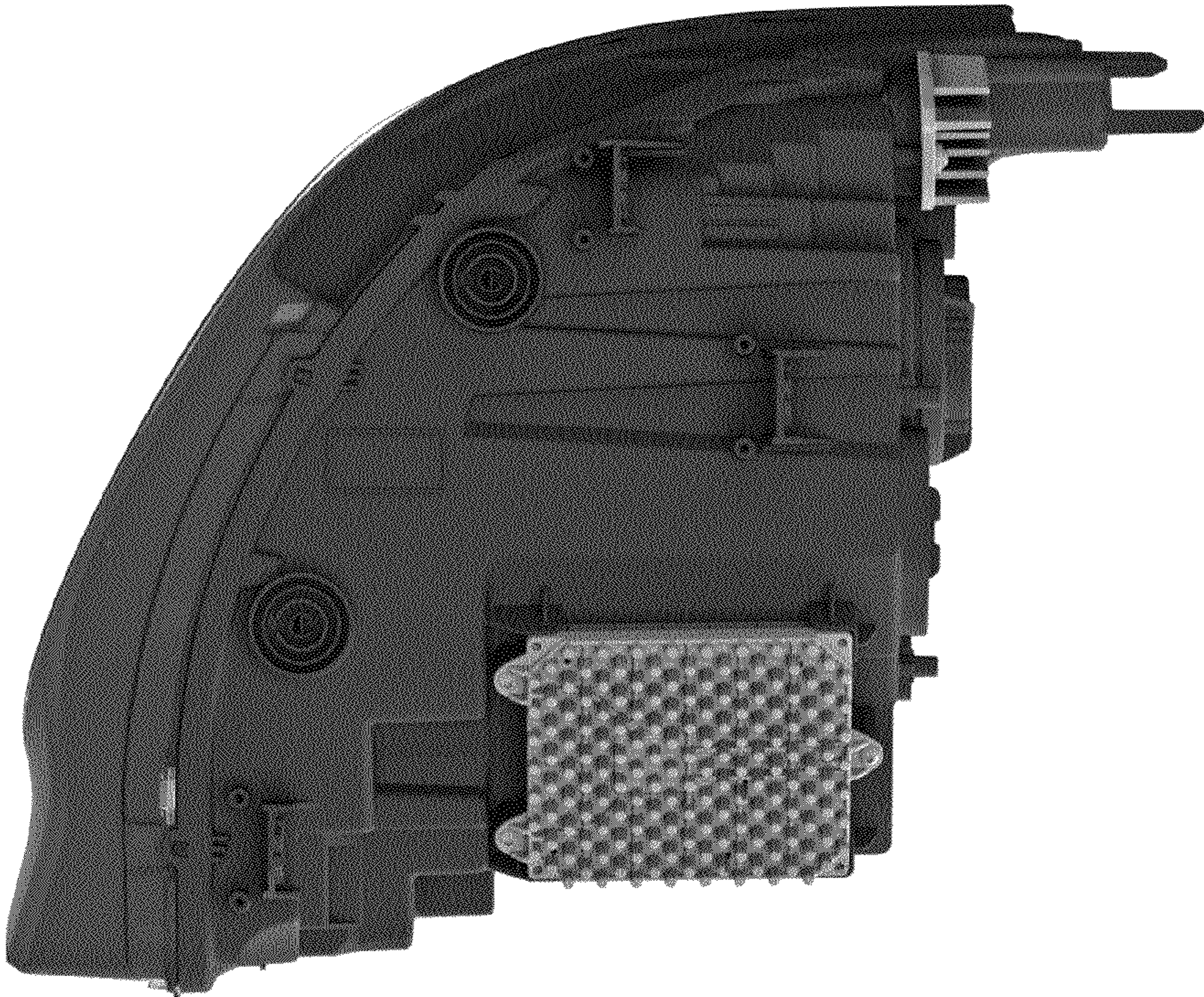


Fig. 7

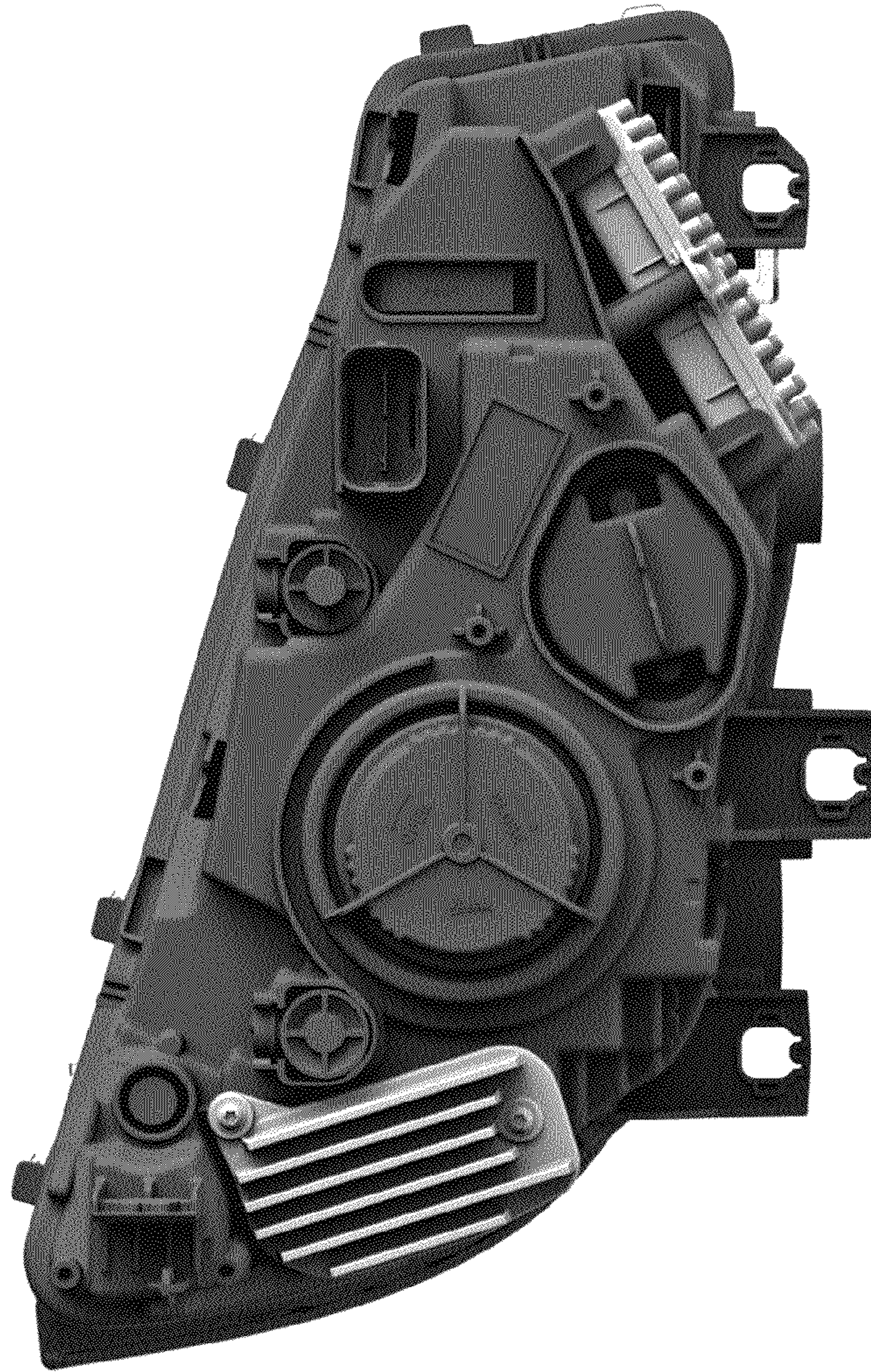


Fig. 8