



US00D747515S

(12) **United States Design Patent**
McMahan et al.

(10) **Patent No.:** **US D747,515 S**
(45) **Date of Patent:** **** Jan. 12, 2016**

- (54) **VEHICLE FRONT HEADLAMP**
- (71) Applicant: **GM GLOBAL TECHNOLOGY OPERATIONS LLC**, Detroit, MI (US)
- (72) Inventors: **Robert B. McMahan**, Bloomfield Hills, MI (US); **Brendon C. Mackay**, Shelby Township, MI (US); **Daniel E. Schmeckpeper**, Clarkston, MI (US)
- (73) Assignee: **GM Global Technology Operations LLC**, Detroit, MI (US)
- (**) Term: **14 Years**
- (21) Appl. No.: **29/507,877**
- (22) Filed: **Oct. 31, 2014**
- (51) **LOC (10) Cl.** **26-06**
- (52) **U.S. Cl.**
USPC **D26/28**
- (58) **Field of Classification Search**
USPC D26/28-36; 362/459-468, 475-478, 362/485-487
CPC F21S 48/00; F21S 48/10; F21S 48/115; F21S 48/225; F21S 48/1233; F21S 48/1266; F21S 48/1388; F21S 48/2268; F21V 21/04
See application file for complete search history.

- D542,442 S * 5/2007 Matsunami D26/28
- D552,768 S * 10/2007 Leclercq D26/28
- D570,007 S * 5/2008 Hsu D26/28
- D683,057 S 5/2013 Aikawa et al.
- D683,487 S 5/2013 Scheinhutte et al.
- D683,488 S 5/2013 Scheinhutte et al.
- D683,875 S 6/2013 Platto et al.

OTHER PUBLICATIONS

Design U.S. Appl. No. 29/457,759, filed Jun. 12, 2013, First Named Inventor: Niels Loeb; Title: Vehicle Headlight; 6 pages.
 Design U.S. Appl. No. 29/457,686, filed Jun. 12, 2013, First Named Inventor: Niels Loeb; Title: Vehicle Headlight; 5 pages.
 Design U.S. Appl. No. 29/473,113, filed Nov. 19, 2013; First Named Inventor: Louis D. Thole; Title: Vehicle Front Headlamp; 3 pages.
 Design U.S. Appl. No. 29/478,501, filed Jan. 6, 2014; First Named Inventor: Robert B. McMahan; Title: Vehicle Body Exterior; 7 pages.
 Design U.S. Appl. No. 29/503,974, filed Oct. 1, 2014; First Named Inventor: Robert B. McMahan; Title: Vehicle Front Headlamp; 3 pages.

* cited by examiner

Primary Examiner — Marcus Jackson
 (74) *Attorney, Agent, or Firm* — Reising Ethington P.C.

(57) **CLAIM**
 The ornamental design for a vehicle front headlamp, as shown and described.

DESCRIPTION

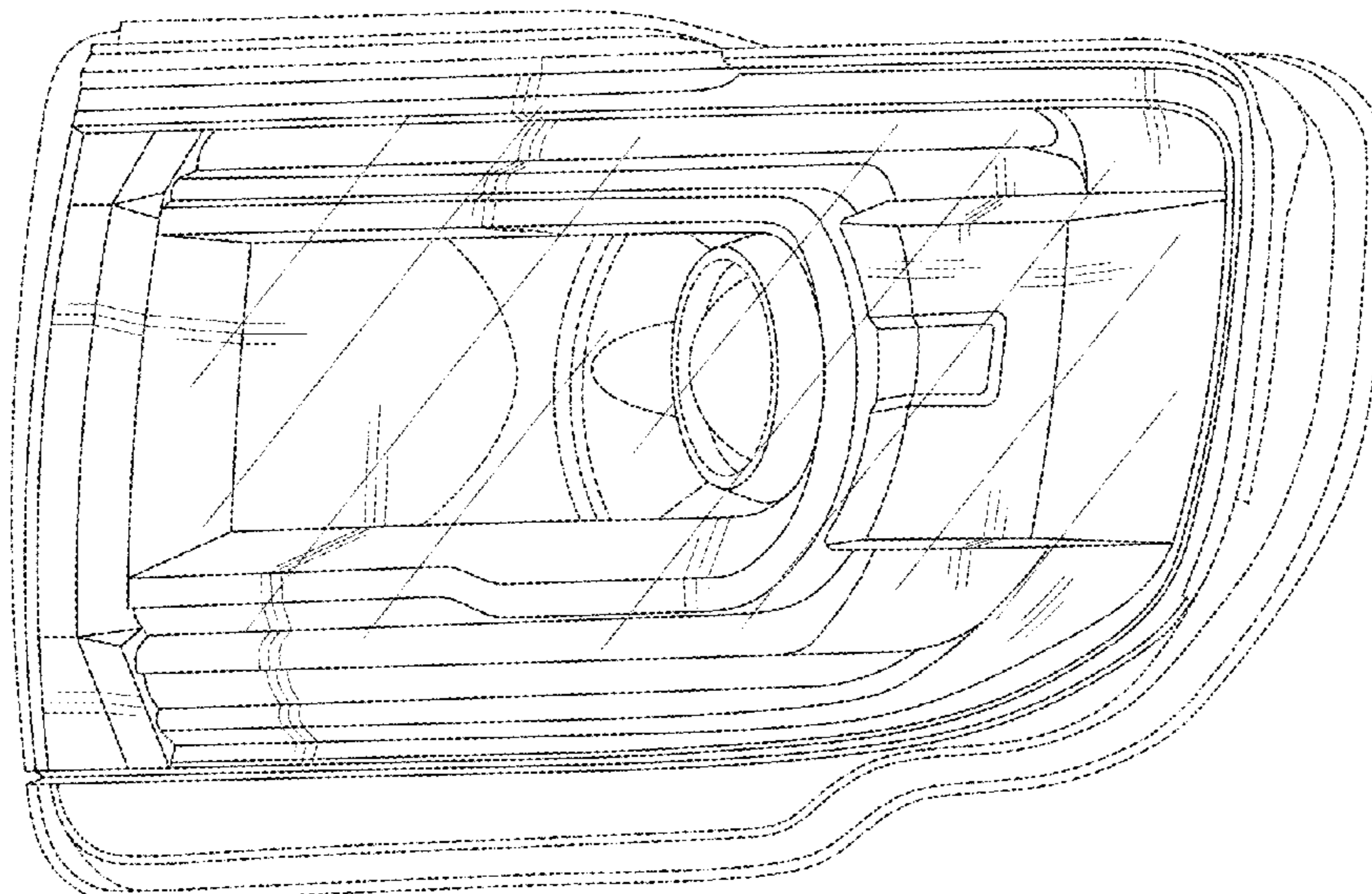
FIG. 1 is a perspective view of the vehicle front headlamp; FIG. 2 is a front view thereof; FIG. 3 is a side elevation view thereof; and, FIG. 4 is a top plan view thereof.
 In the drawings, the portions shown by broken lines form no part of the claimed design.

1 Claim, 2 Drawing Sheets

(56) **References Cited**

U.S. PATENT DOCUMENTS

- D506,842 S * 6/2005 Nagura D26/28
- D524,566 S * 7/2006 Lowsky D6/370
- D529,208 S * 9/2006 Ikeda D26/28
- D538,954 S * 3/2007 Pfeiffer D26/28



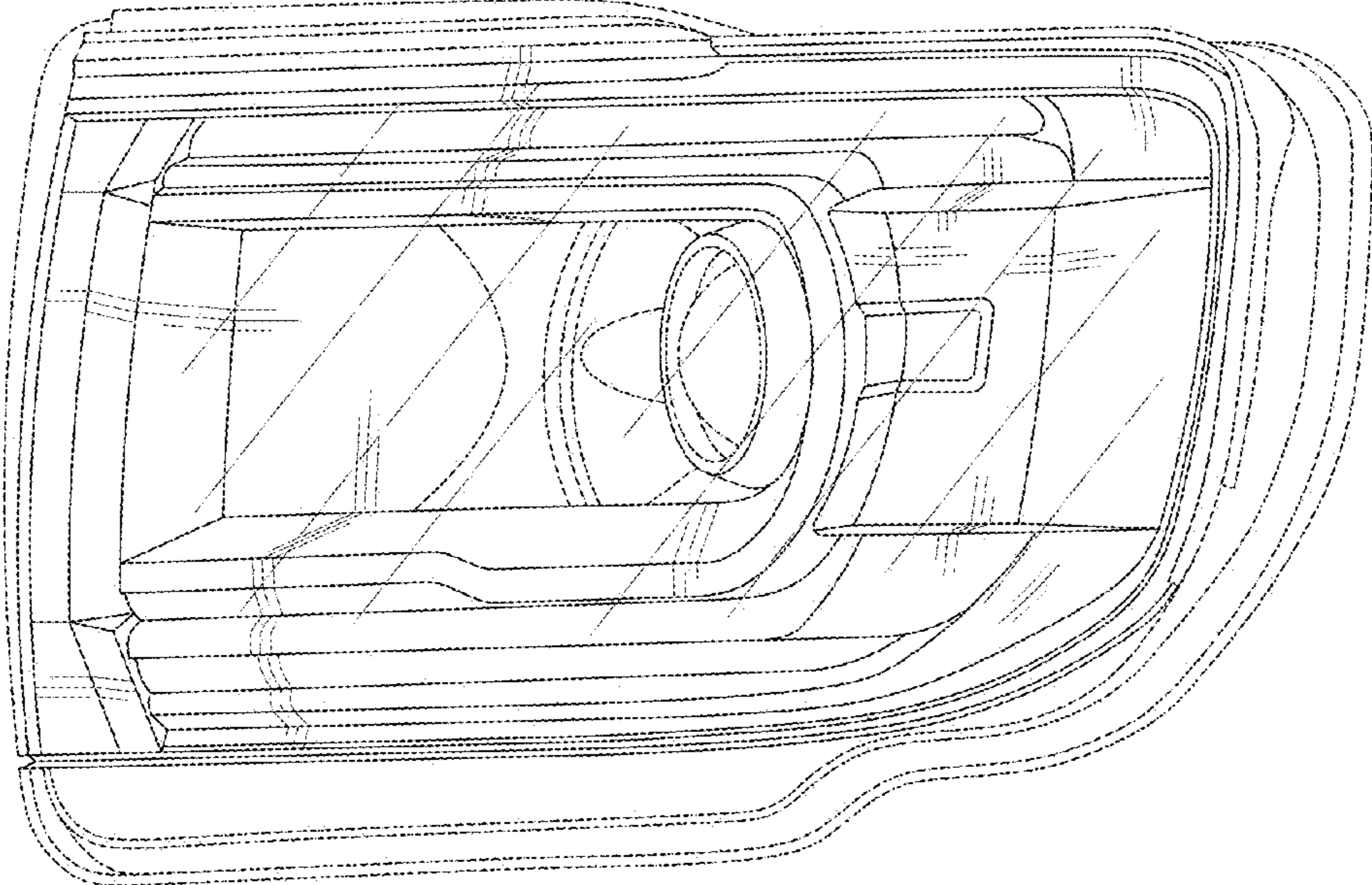


Fig-1

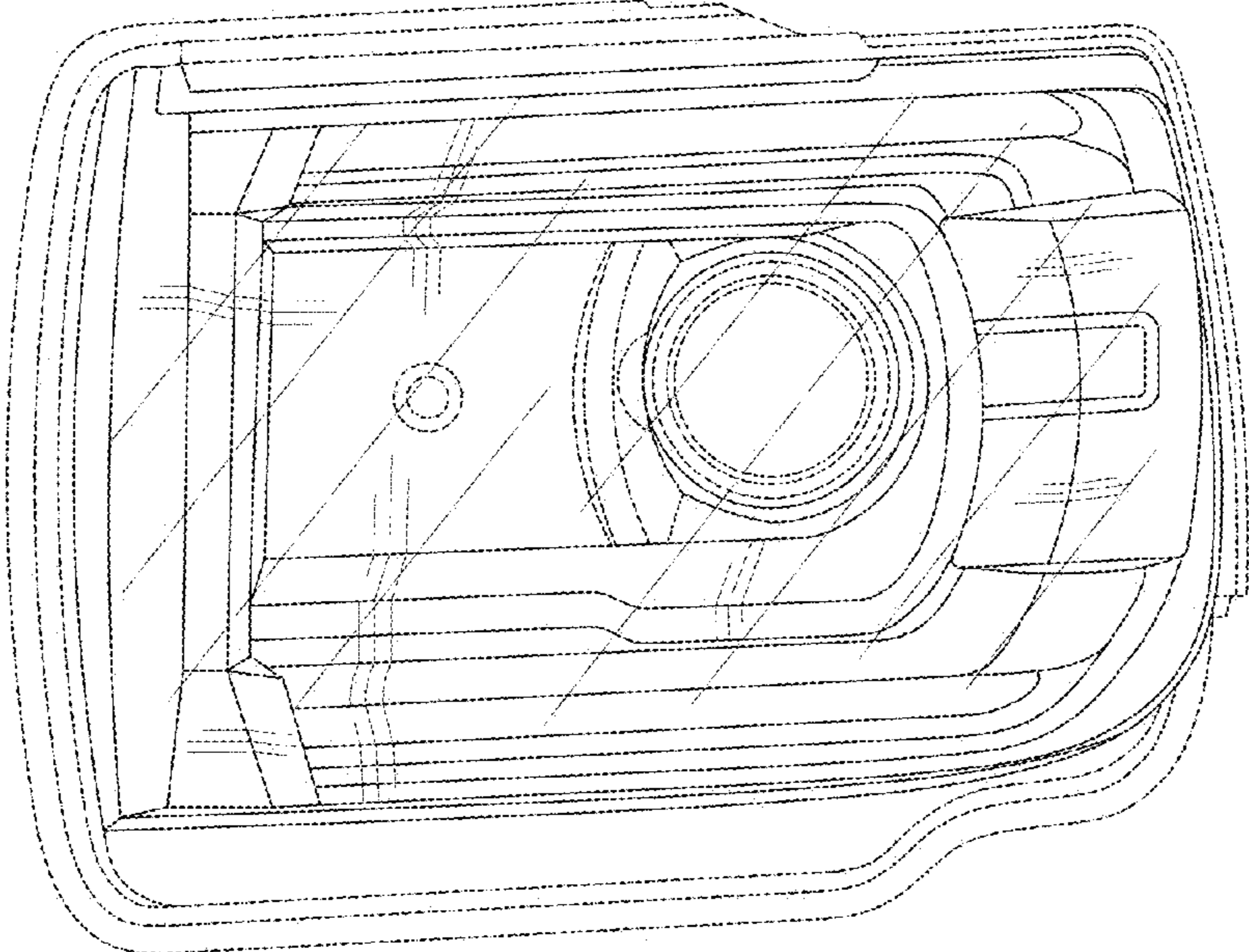


Fig-2

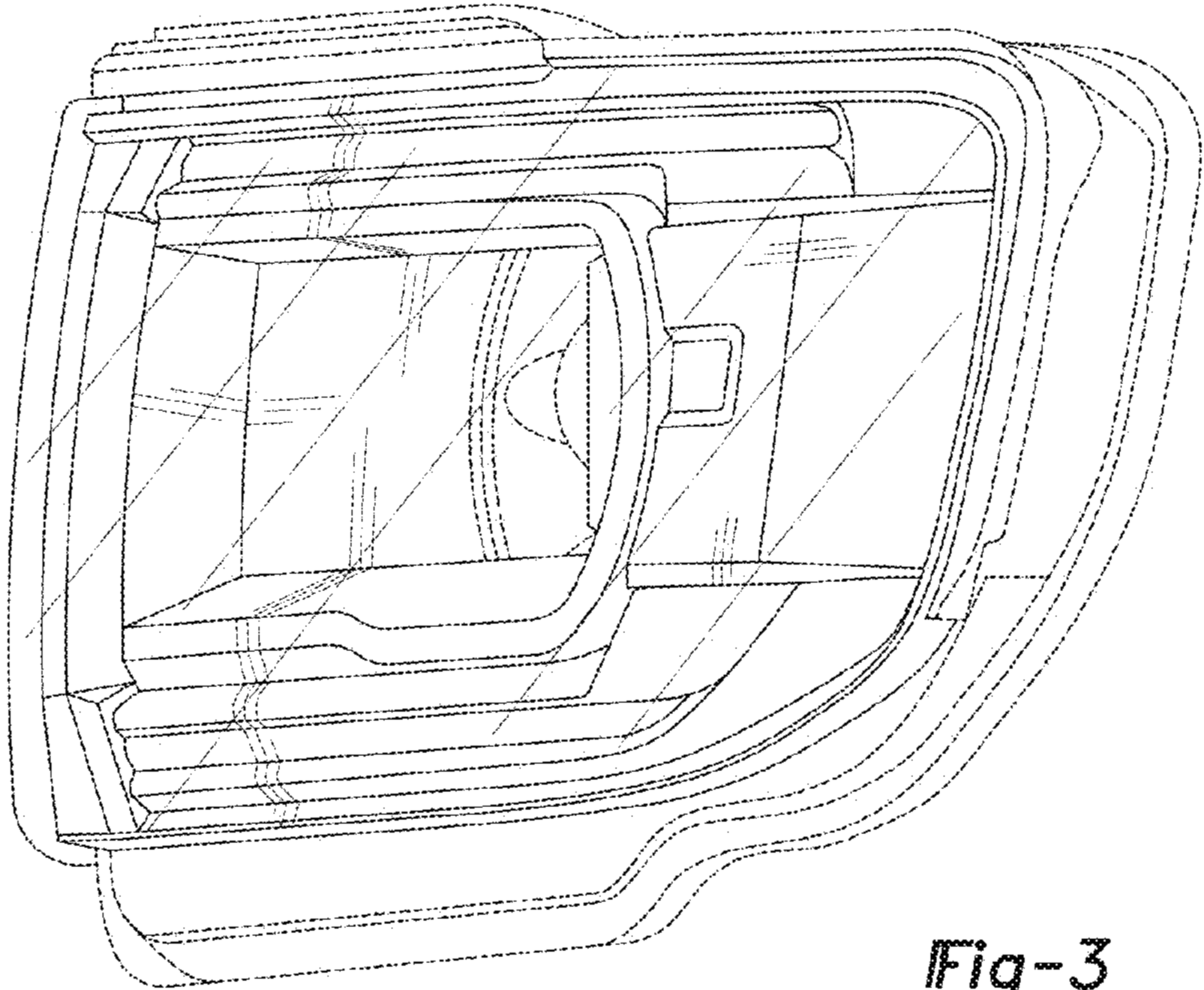


Fig-3

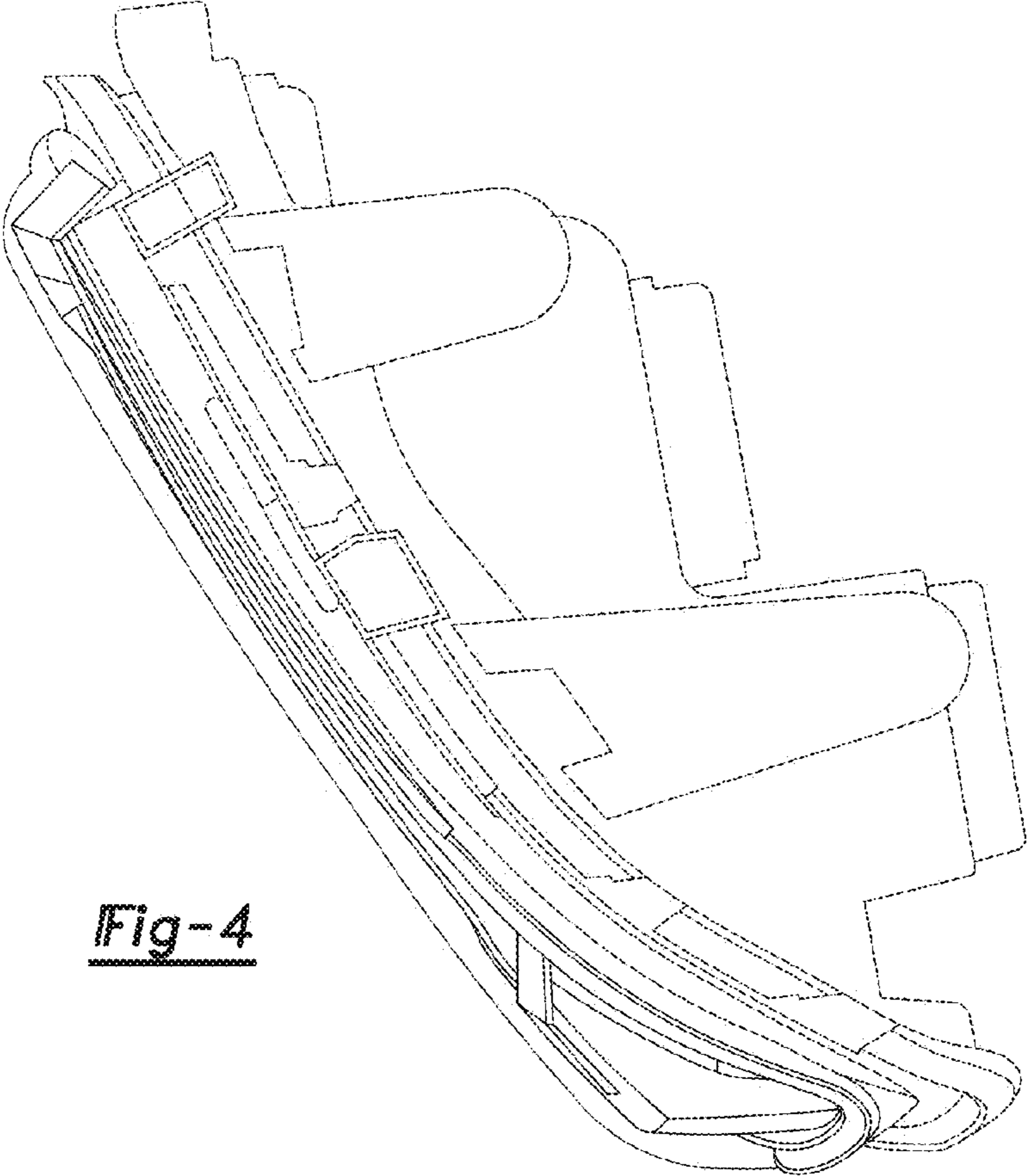


Fig-4