



US00D747511S

(12) **United States Design Patent**
Van Arnam et al.

(10) **Patent No.:** **US D747,511 S**
(45) **Date of Patent:** **** Jan. 12, 2016**

(54) **EMERGENCY VEHICLE LIGHT ASSEMBLY**

(71) Applicant: **American Emergency Vehicles, Inc.**,
Jefferson, NC (US)

(72) Inventors: **Mark Van Arnam**, Boone, NC (US);
Randy Hanson, Jefferson, NC (US);
Adam Wilson, Mt. City, TN (US); **Steve**
Dillard, West Jefferson, NC (US)

(73) Assignee: **Halcore Group, Inc.**, Grove City, OH
(US)

(**) Term: **14 Years**

(21) Appl. No.: **29/477,240**

(22) Filed: **Dec. 20, 2013**

(51) **LOC (10) Cl.** **26-06**

(52) **U.S. Cl.**
USPC **D26/28**

(58) **Field of Classification Search**
USPC D26/28–36, 39, 60–66, 121, 138–140,
D26/142; 362/84, 341, 459–468, 473,
362/475–478, 485–487, 511, 523;
D10/104.1, 111, 113.4, 114.1, 114.2,
D10/114.3, 114.9, 115; D12/187–189
CPC F21V 15/01; F21V 15/013; F21V 21/02;
F21V 21/04; F21V 7/0008
See application file for complete search history.

(56) **References Cited**

U.S. PATENT DOCUMENTS

D159,144 S *	6/1950	Dieterich	D12/191
D161,436 S *	1/1951	Fausser	D12/191
4,611,796 A	9/1986	Orr		
4,707,014 A	11/1987	Rich		
5,560,701 A	10/1996	Payne		
D419,702 S	1/2000	Ford et al.		
6,086,140 A	7/2000	McCutchen, III et al.		
6,641,288 B1	11/2003	Olsen		
6,937,146 B2	8/2005	Tracy		

D518,201 S *	3/2006	Phillips et al.	D26/28
7,121,614 B2	10/2006	Kawai		
D545,461 S *	6/2007	Itaya et al.	D26/28
D558,910 S *	1/2008	Martineau	D26/85
D627,916 S *	11/2010	Butteris et al.	D26/85
D632,814 S *	2/2011	Chang	D26/28
7,959,322 B2	6/2011	Smith		

(Continued)

FOREIGN PATENT DOCUMENTS

EP 1043218 1/2005

OTHER PUBLICATIONS

Demers Ambulances—Sustainability—Aerodynamic design; <http://www.demers-ambulances.com/company/sustainability-aerodynamic-design/>; 2013 Demers Ambulances; 1 page.

(Continued)

Primary Examiner — Cynthia Ramirez

Assistant Examiner — Llorellys Martinez-Rivera

(74) *Attorney, Agent, or Firm* — Hovey Williams LLP

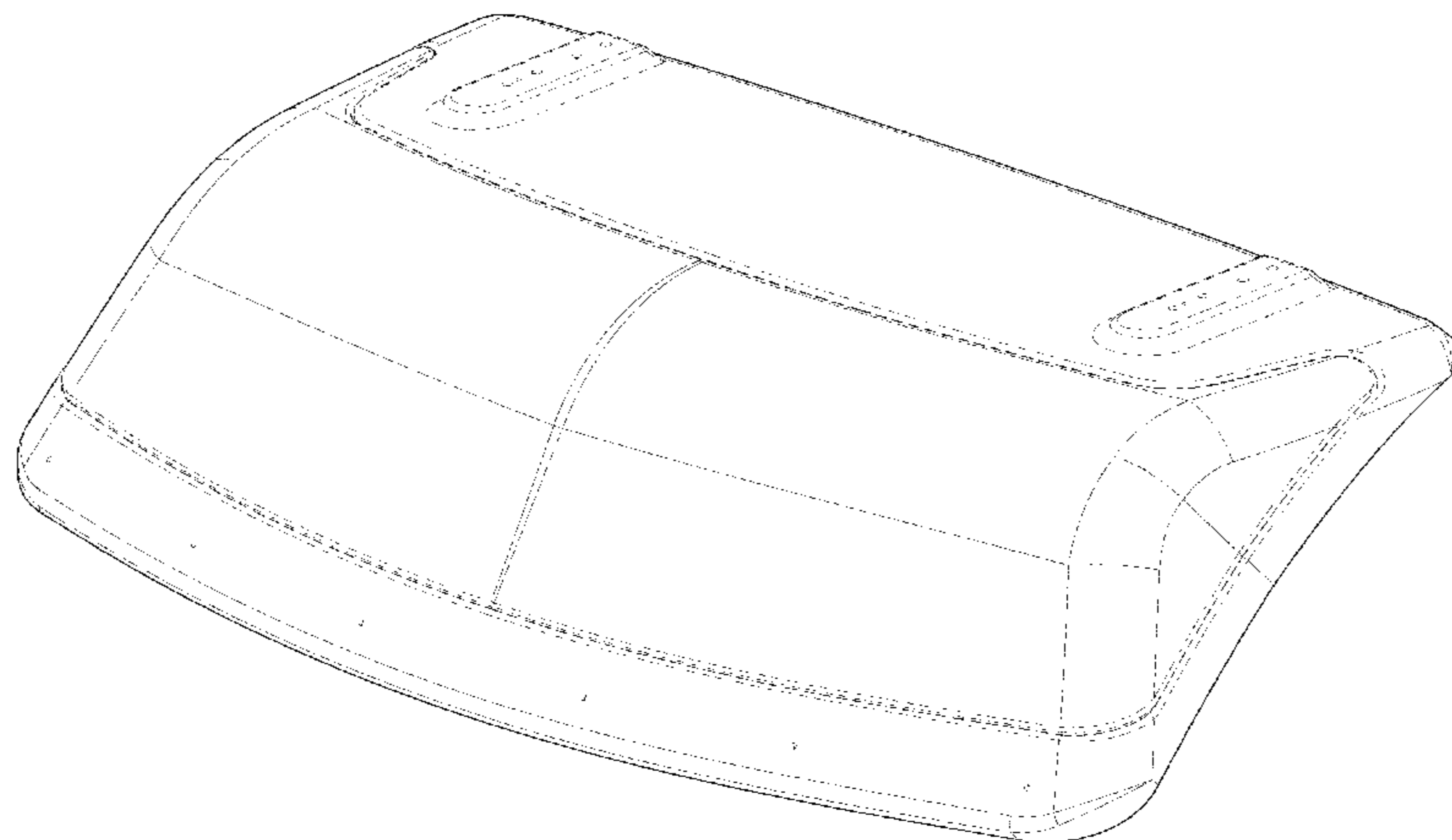
(57) **CLAIM**

The ornamental design for an emergency vehicle light assembly, as shown and described.

DESCRIPTION

FIG. 1 is a front perspective view of an emergency vehicle light assembly showing our new design; FIG. 2 is a rear perspective view thereof; FIG. 3 is a front elevation view thereof; FIG. 4 is a right side elevation view thereof; FIG. 5 is a rear side elevation view thereof; FIG. 6 is a left side elevation view thereof; FIG. 7 is a top elevation view thereof; and, FIG. 8 is a bottom elevation view thereof. The broken lines shown in FIGS. 1 through 8 illustrate portions of the emergency vehicle light assembly which form no part of the claimed design.

1 Claim, 6 Drawing Sheets



(56)

References Cited

OTHER PUBLICATIONS

U.S. PATENT DOCUMENTS

D658,800 S * 5/2012 Lai et al. D26/63
D660,491 S * 5/2012 Holscher D26/63
2002/0163796 A1* 11/2002 Dickie et al. 362/84
2012/0049556 A1 3/2012 Barnes et al.

Demers Technical Drawings; www.demers-ambulances.com; Demers Ambulances; Jun. 21, 2011; 16 pages.

* cited by examiner

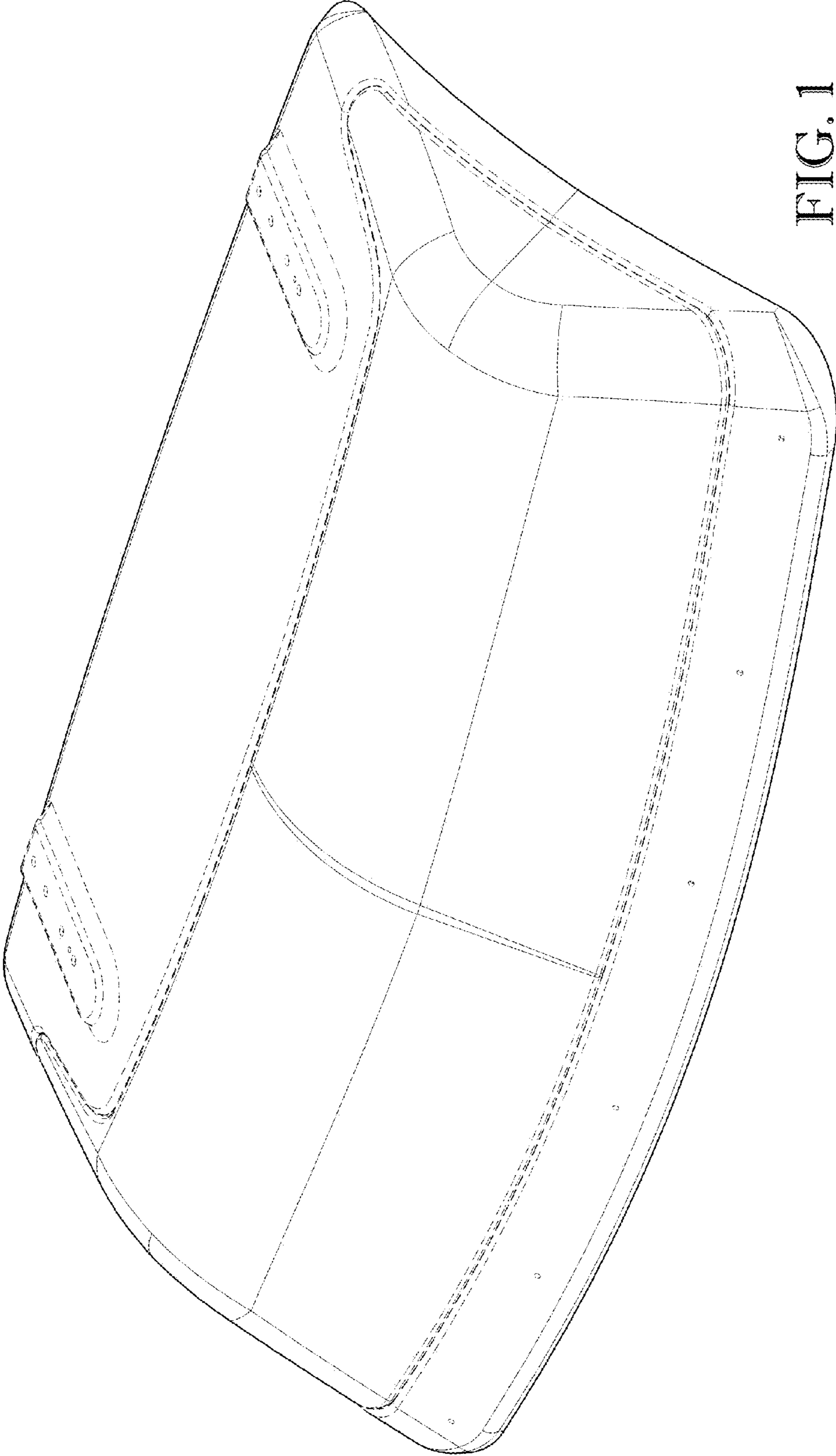


FIG. 1

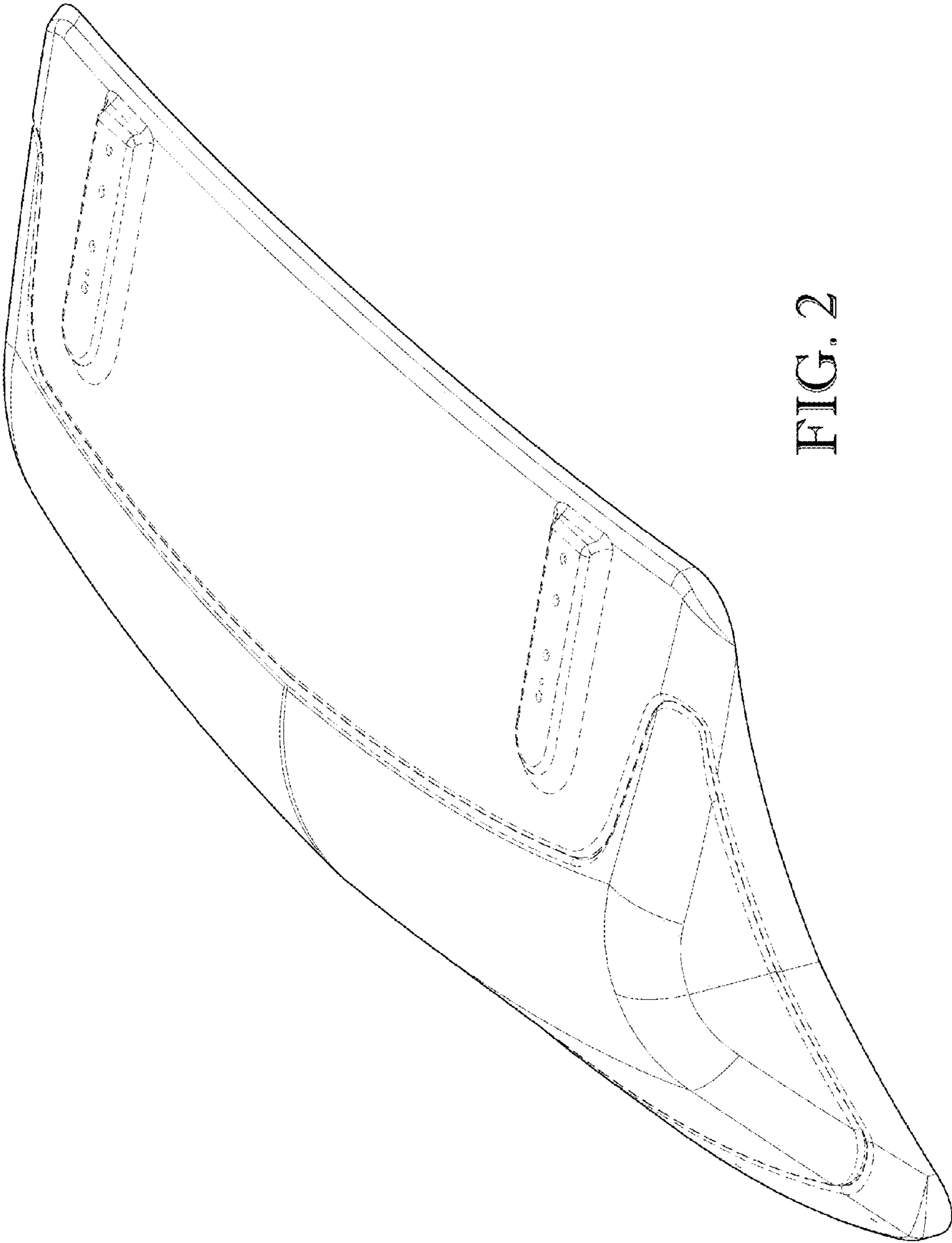


FIG. 2

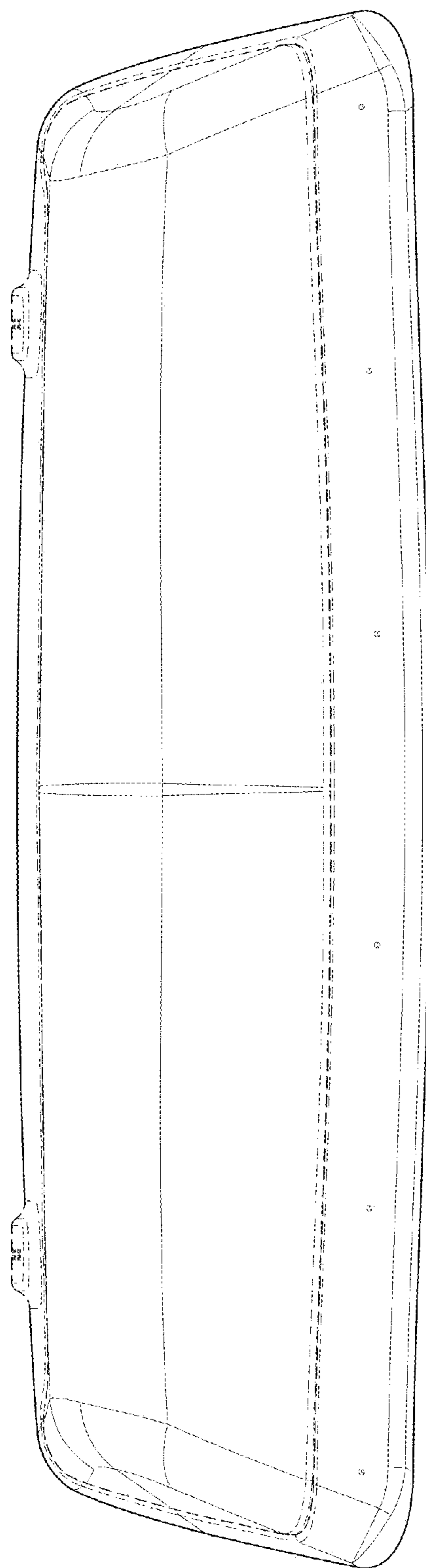


FIG. 3

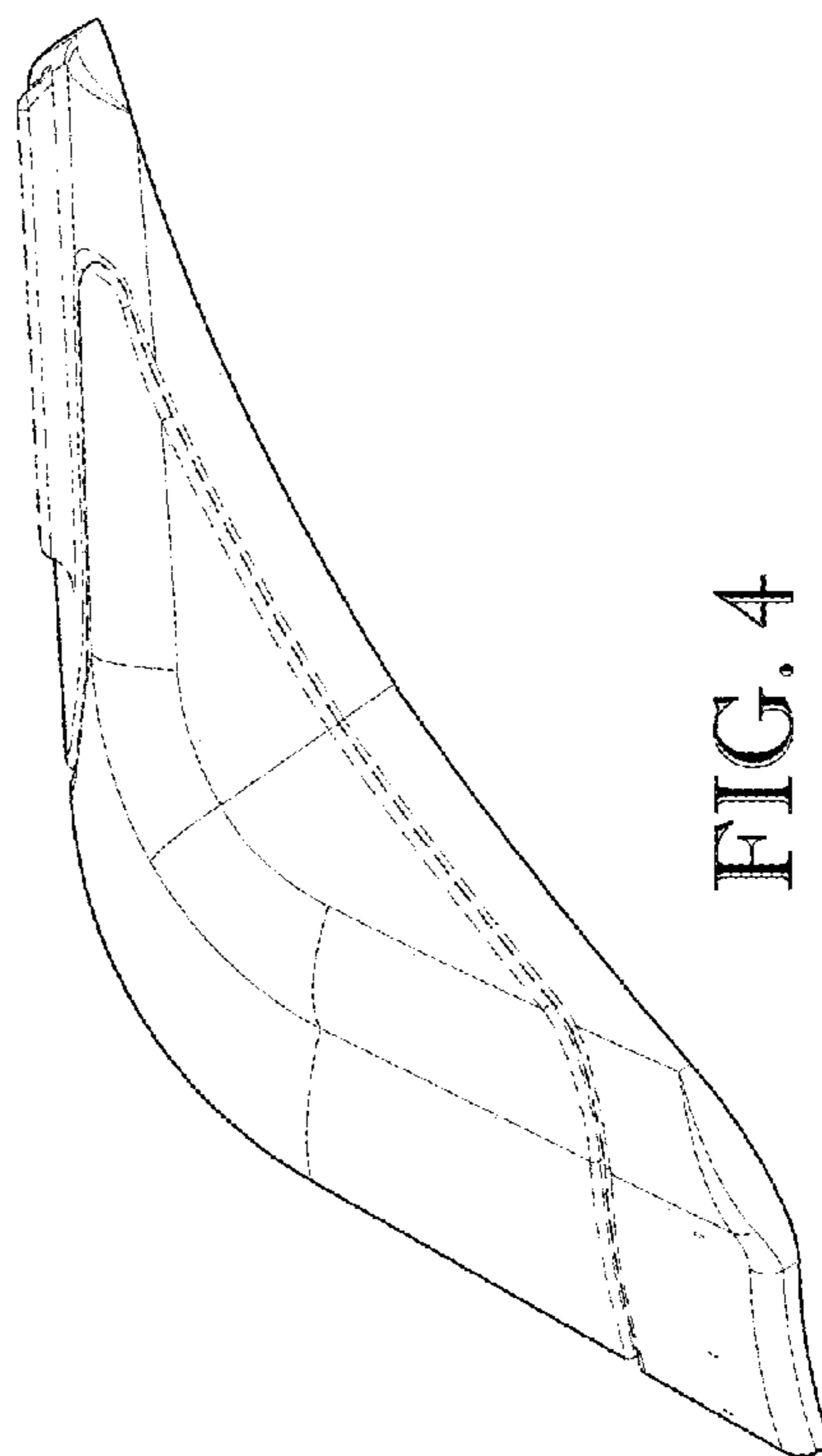


FIG. 4

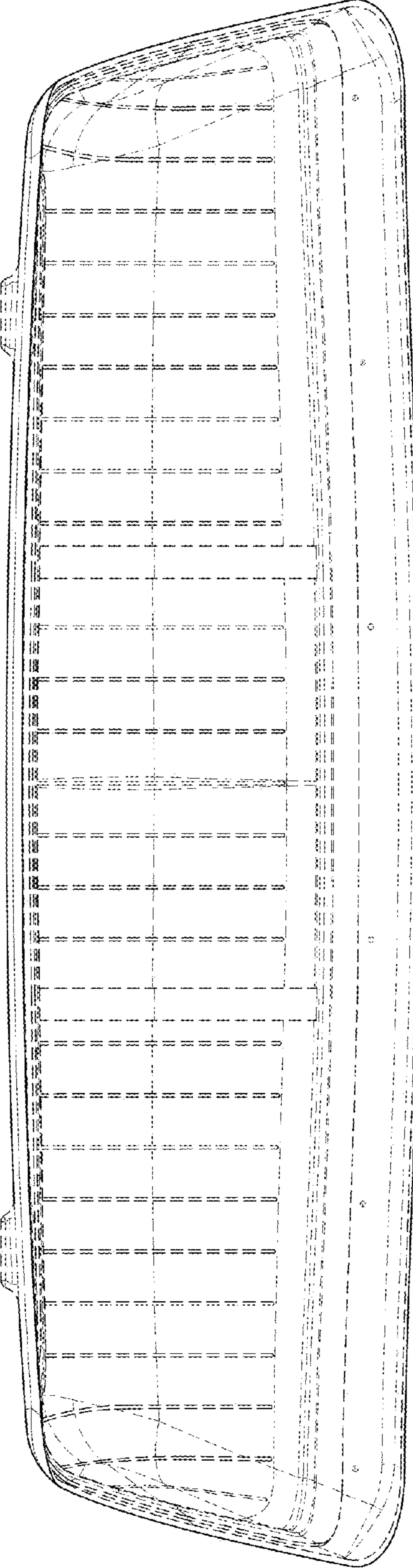


FIG. 5

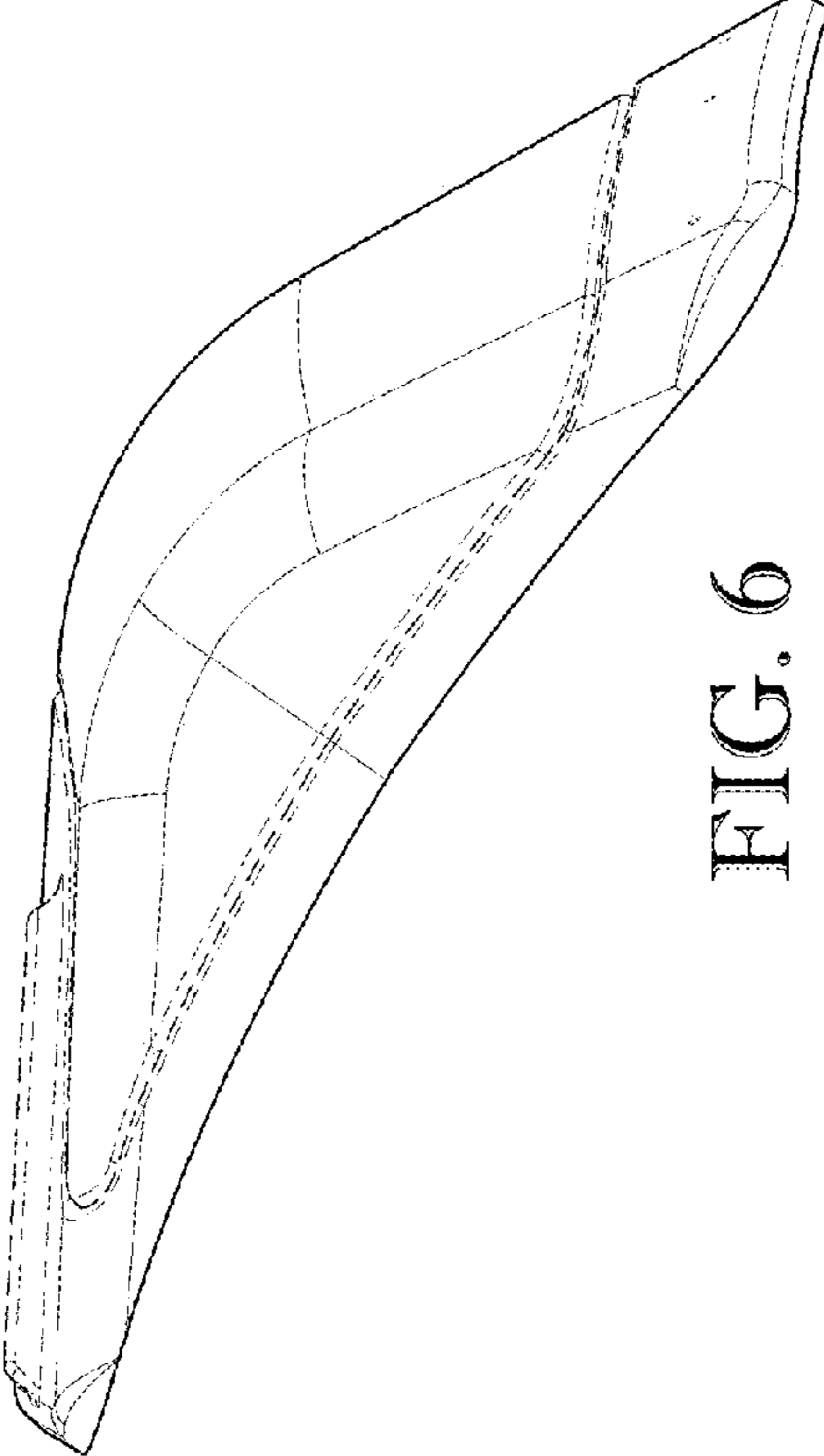


FIG. 6

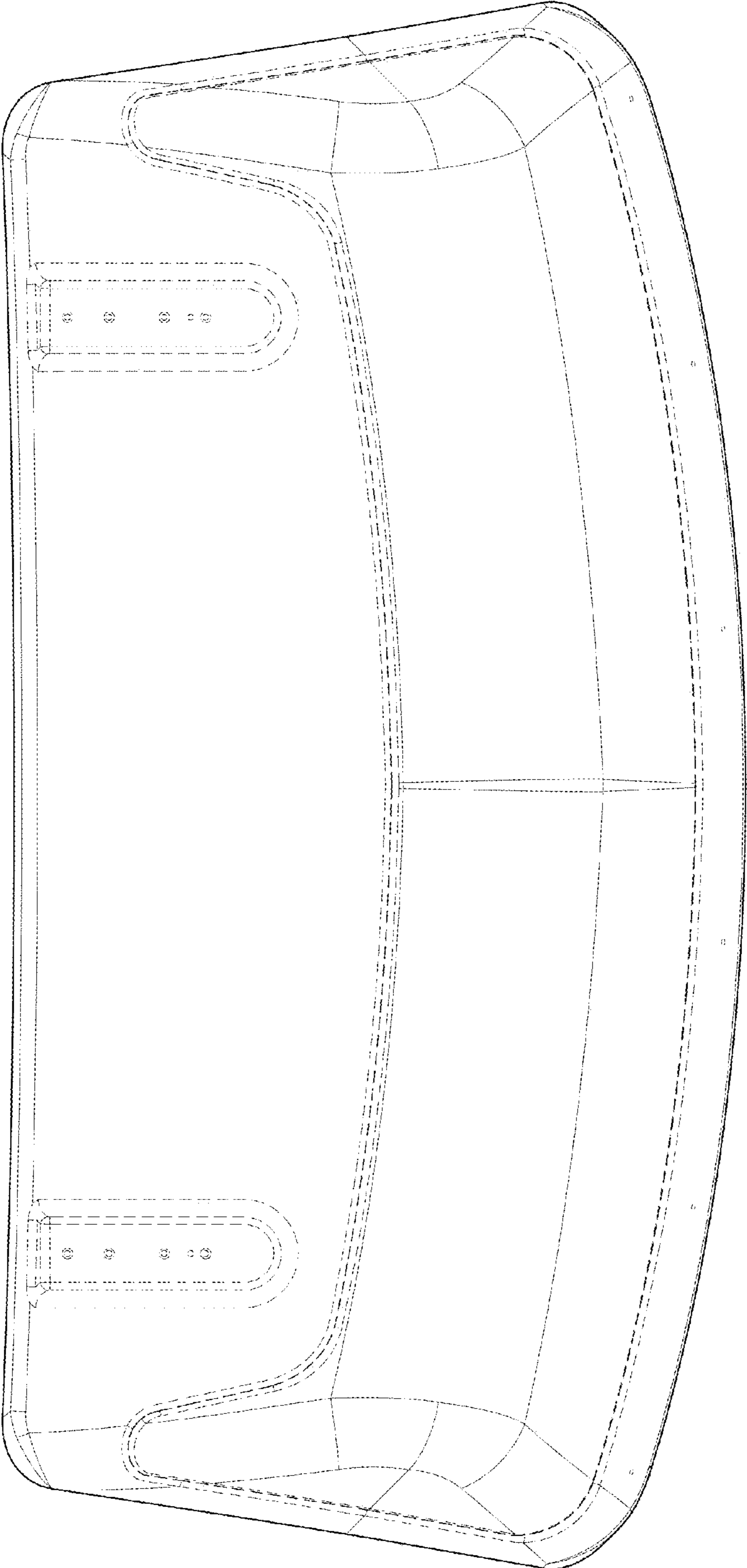


FIG. 7

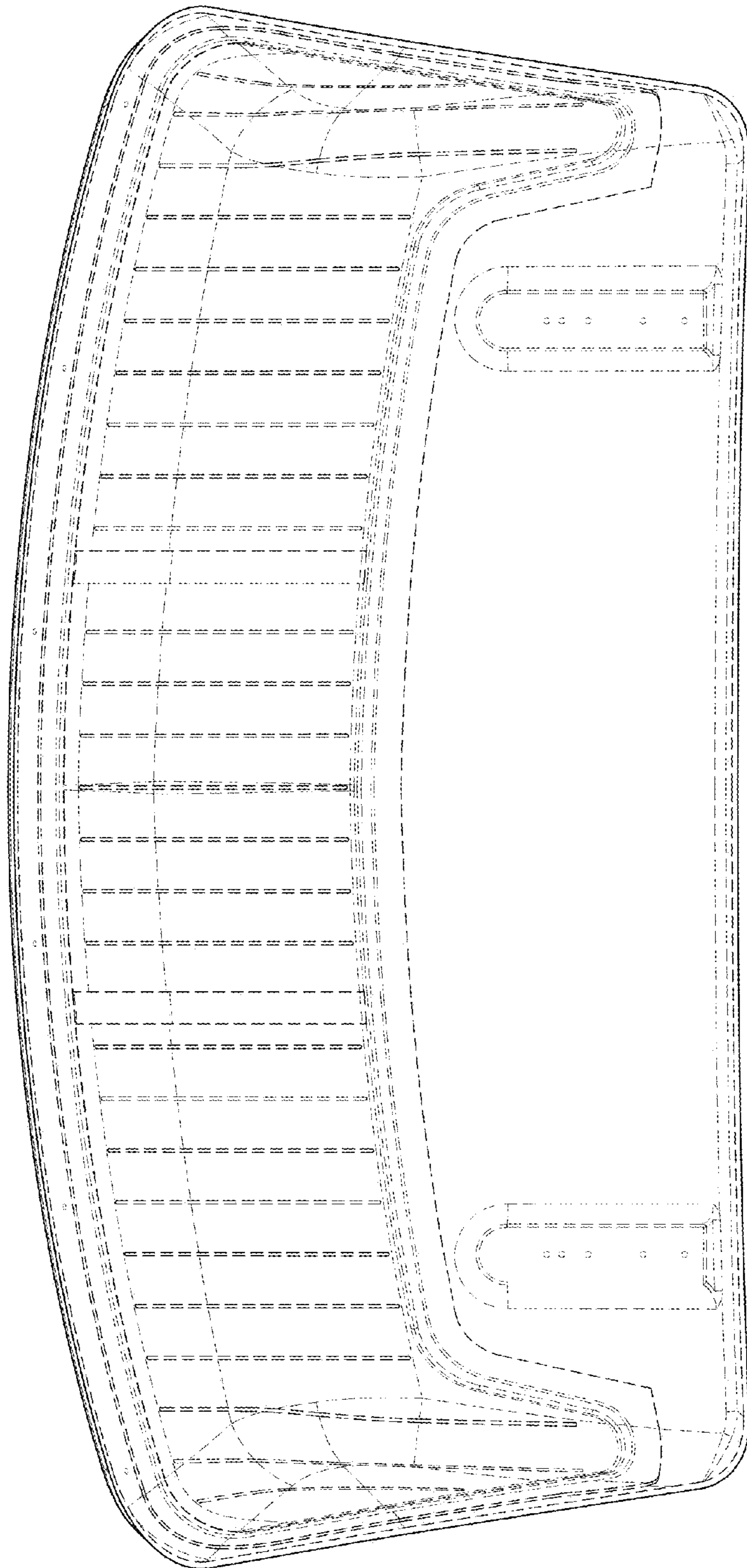


FIG. 8