



US00D747510S

(12) **United States Design Patent**
Okuda

(10) **Patent No.:** **US D747,510 S**
(45) **Date of Patent:** **** Jan. 12, 2016**

(54) **LAMP FOR A BICYCLE**

(56) **References Cited**

(71) Applicant: **Cateye Company, Ltd.**, Osaka (JP)

U.S. PATENT DOCUMENTS

(72) Inventor: **Yoji Okuda**, Osaka (JP)

D383,227	S	*	9/1997	Nagano	D26/28
D522,896	S	*	6/2006	Okuda et al.	D10/98
D555,817	S	*	11/2007	Thomson	D26/28
D592,340	S	*	5/2009	Liao et al.	D26/60
D641,092	S	*	7/2011	Okuda	D26/28
D642,714	S	*	8/2011	Chuah	D26/60
D701,982	S	*	4/2014	Kwon	D26/28
2009/0161378	A1	*	6/2009	Enz	362/511

(73) Assignee: **Cateye Co., Ltd.**, Osaka (JP)

(**) Term: **14 Years**

(21) Appl. No.: **29/475,981**

FOREIGN PATENT DOCUMENTS

(22) Filed: **Dec. 10, 2013**

TW	D105761	7/2005
TW	D130896	9/2009
TW	D140258	4/2011
TW	D146909	5/2012

(30) **Foreign Application Priority Data**

Jun. 14, 2013 (JP) 2013-013472

* cited by examiner

(51) **LOC (10) Cl.** **26-06**

Primary Examiner — Cynthia Ramirez

(52) **U.S. Cl.**

Assistant Examiner — Llorellys Martinez-Rivera

USPC **D26/28**

(74) *Attorney, Agent, or Firm* — Arnstein & Lehr LLP

(58) **Field of Classification Search**

(57) **CLAIM**

USPC D26/28-36, 39, 60-66, 121, 138-140,
D26/142; 362/84, 341, 459-468, 473,
362/475-478, 485-487, 511, 523;
D10/104.1, 111, 113.4, 114.1, 114.2,
D10/114.3, 114.9, 115; D20/10, 14, 23, 25,
D20/29-32, 35, 99; D12/187-189
CPC F21V 15/01; F21V 15/013; F21V 21/02;
F21V 21/04; F21V 7/0008

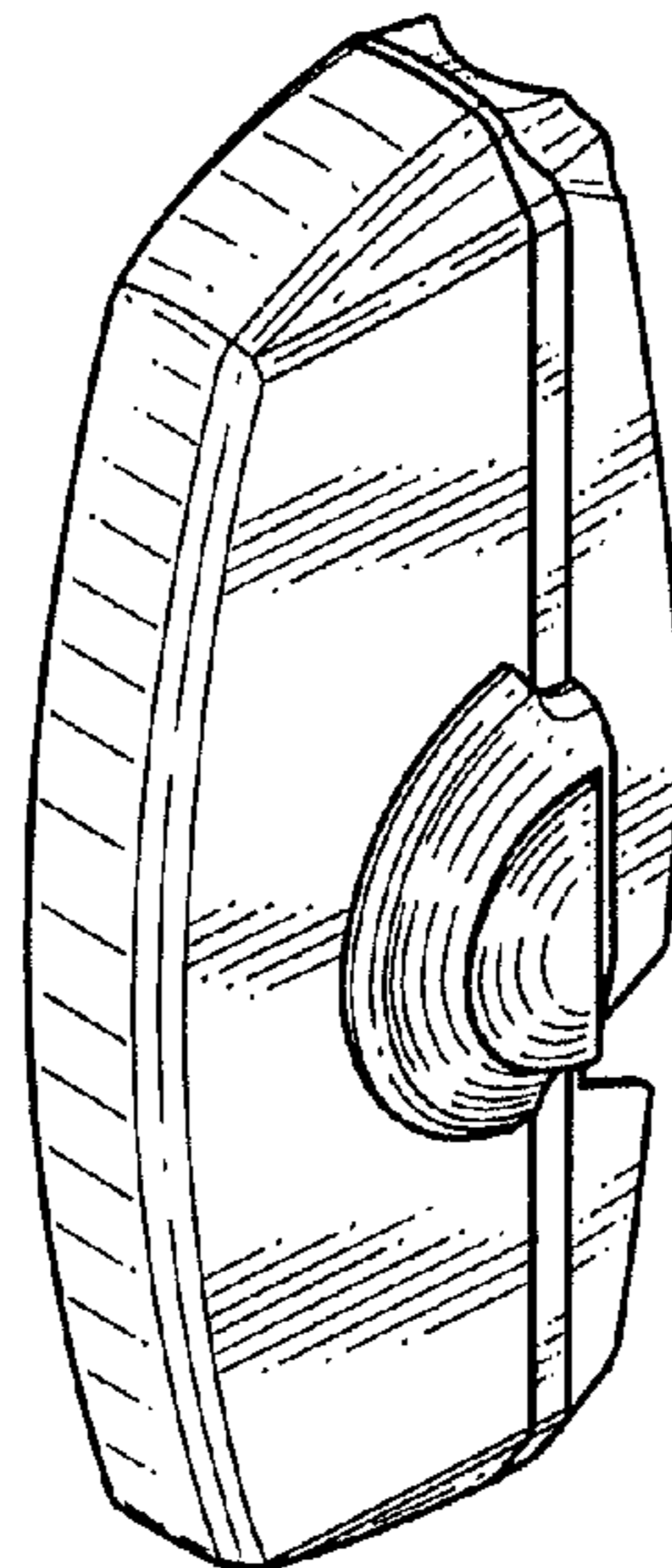
The ornamental design for a lamp for a bicycle, as shown.

DESCRIPTION

See application file for complete search history.

FIG. 1 is a perspective view of a lamp for a bicycle showing my new design;
FIG. 2 is a front view thereof;
FIG. 3 is a rear view thereof;
FIG. 4 is a top plan view thereof;
FIG. 5 is a bottom plan view thereof;
FIG. 6 is a right side view thereof; and,
FIG. 7 is a left side view thereof.

1 Claim, 4 Drawing Sheets



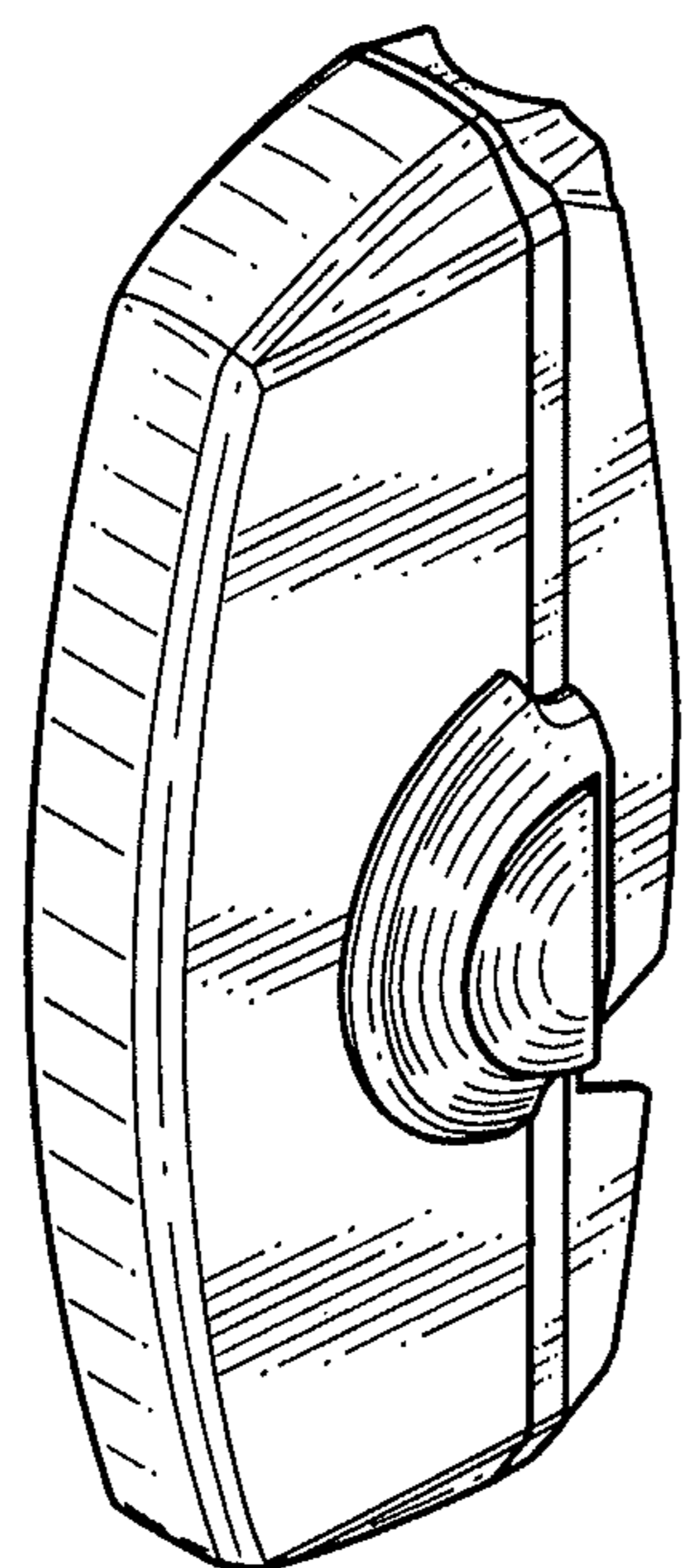


Fig. 1

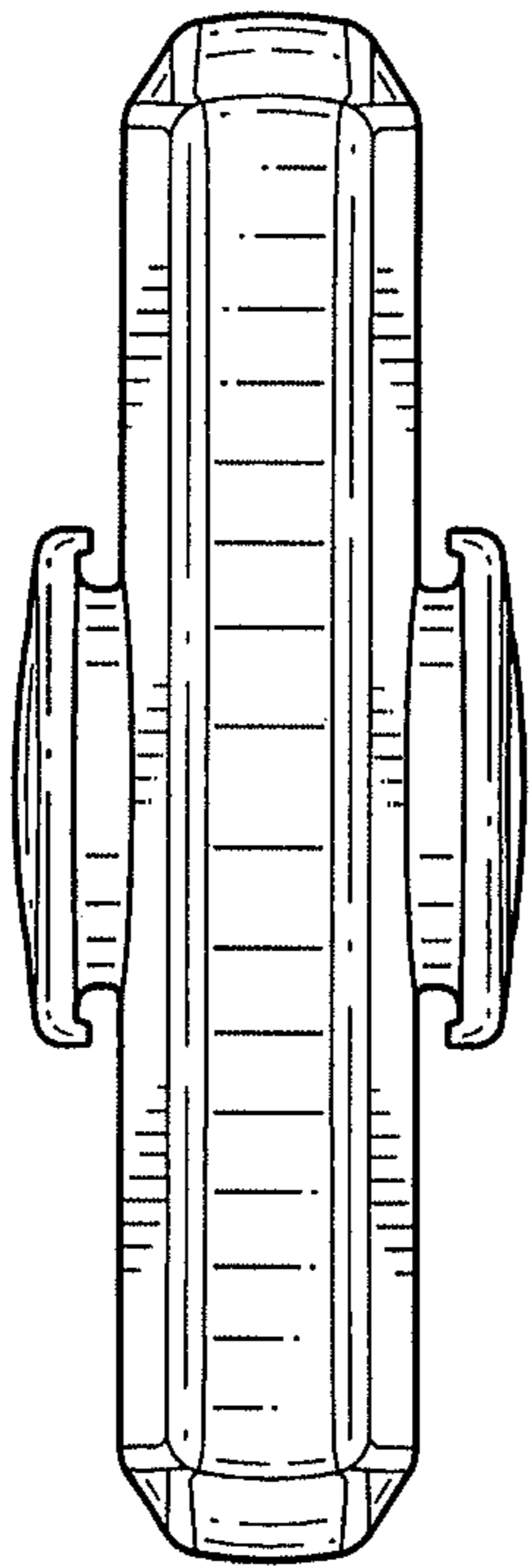


Fig. 2

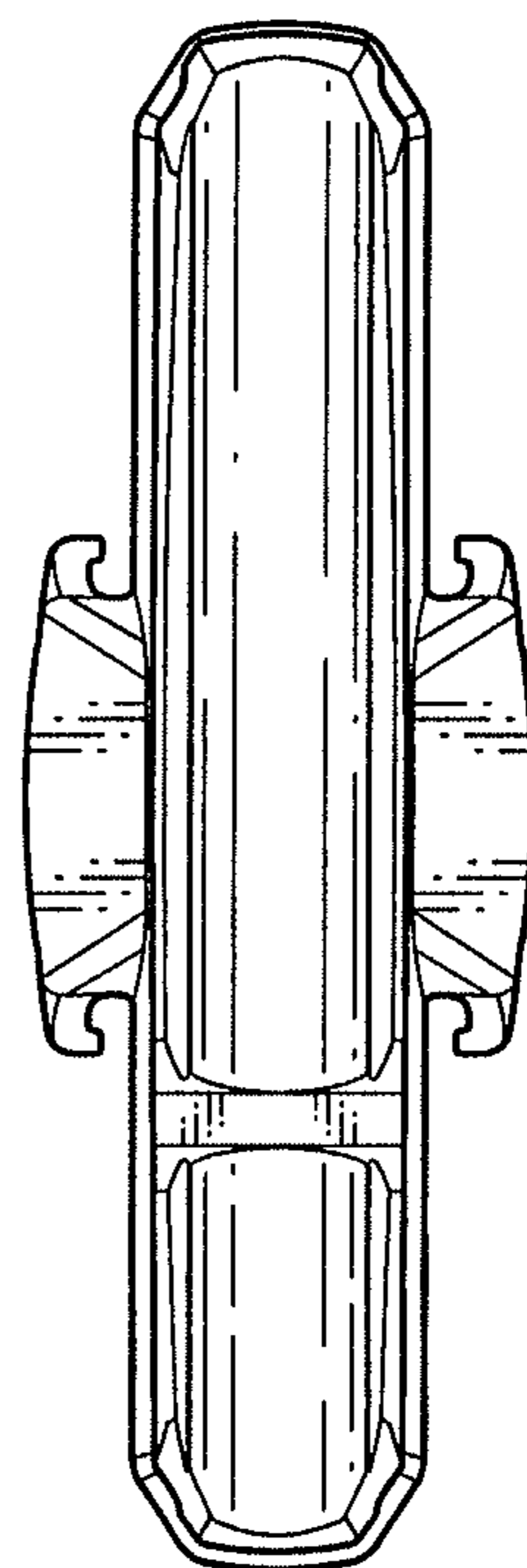


Fig. 3

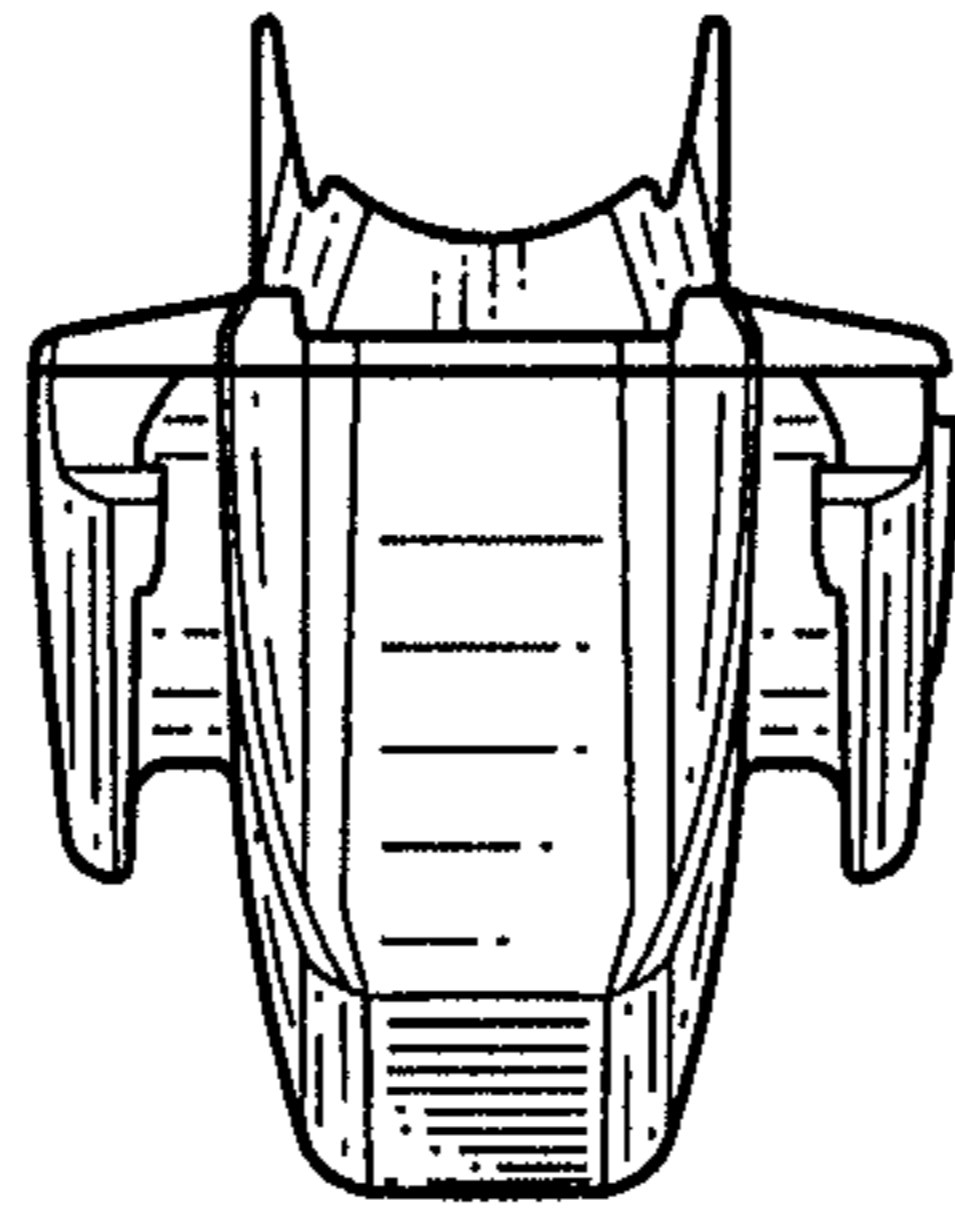


Fig. 4

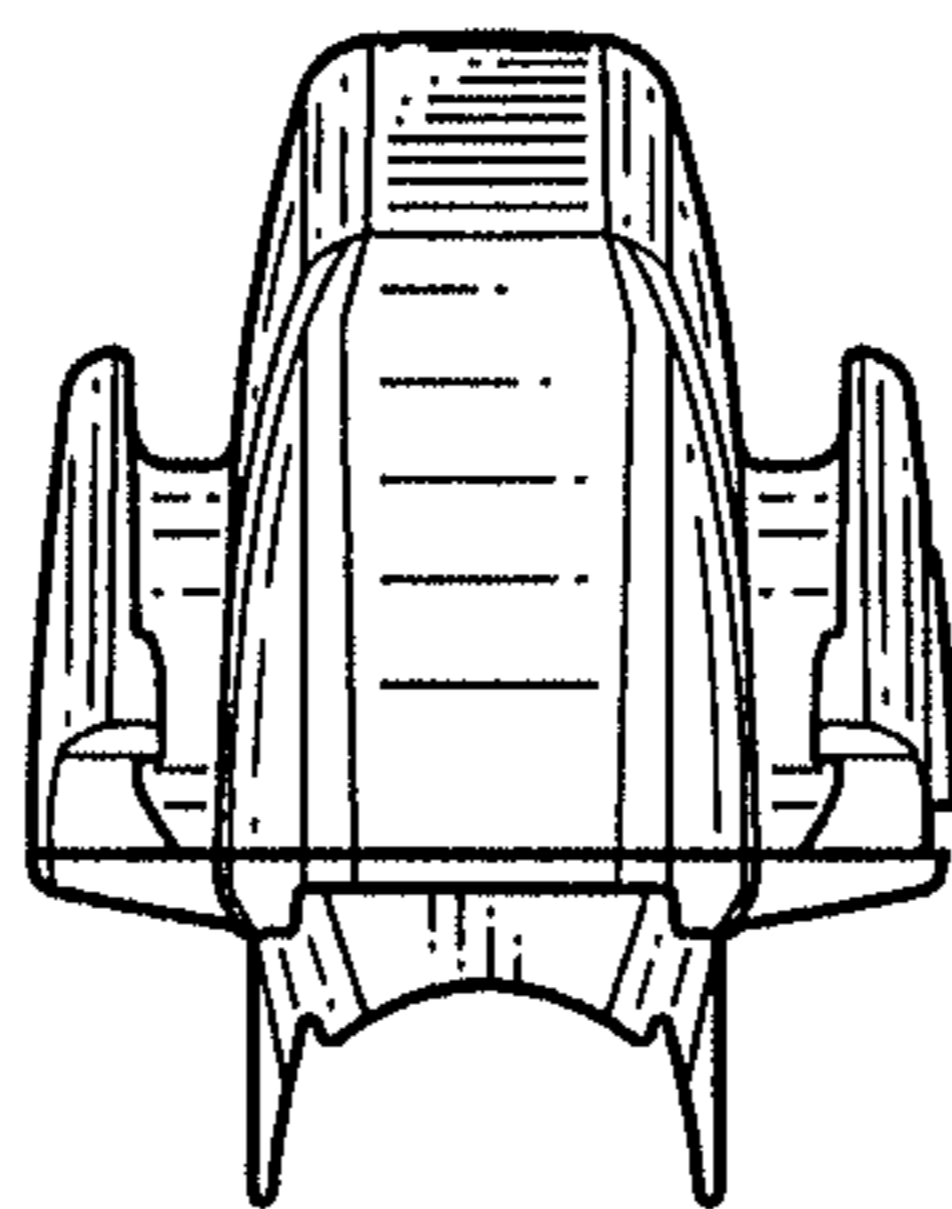


Fig. 5

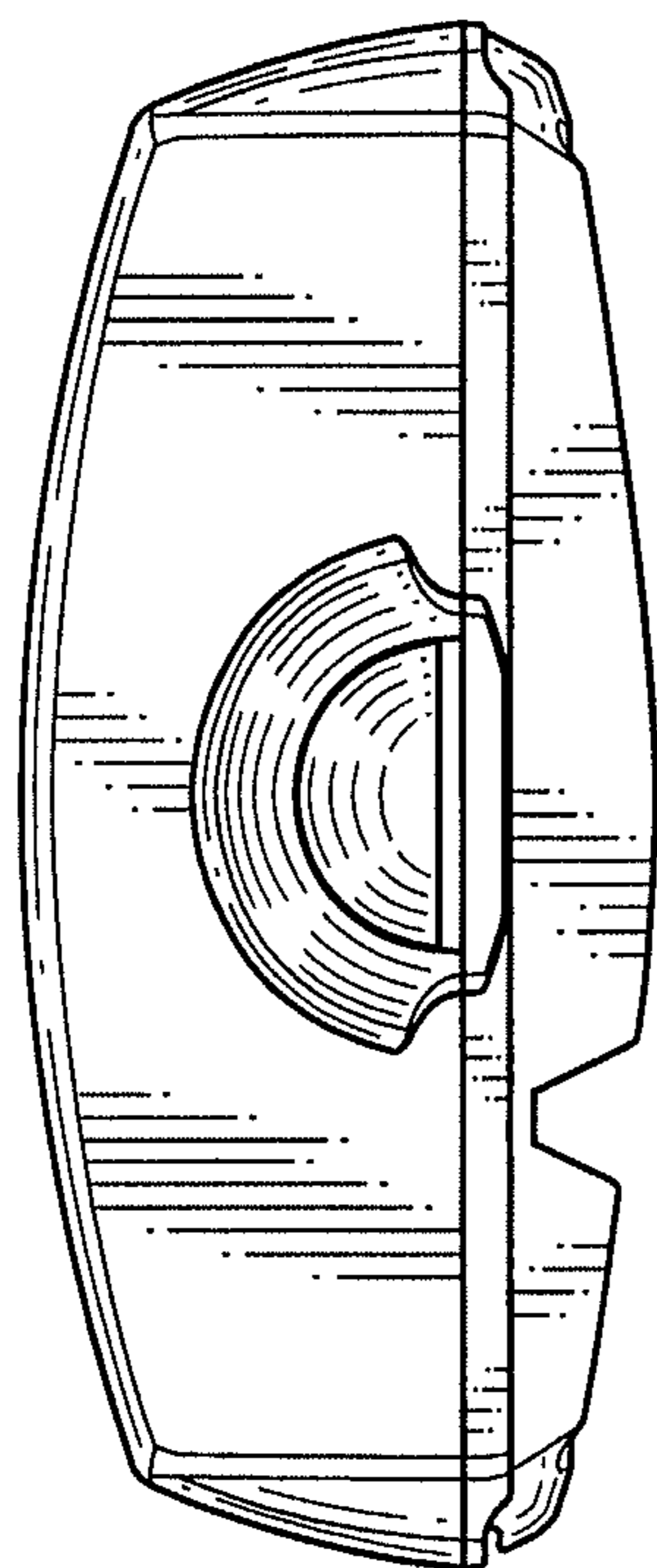


Fig. 6

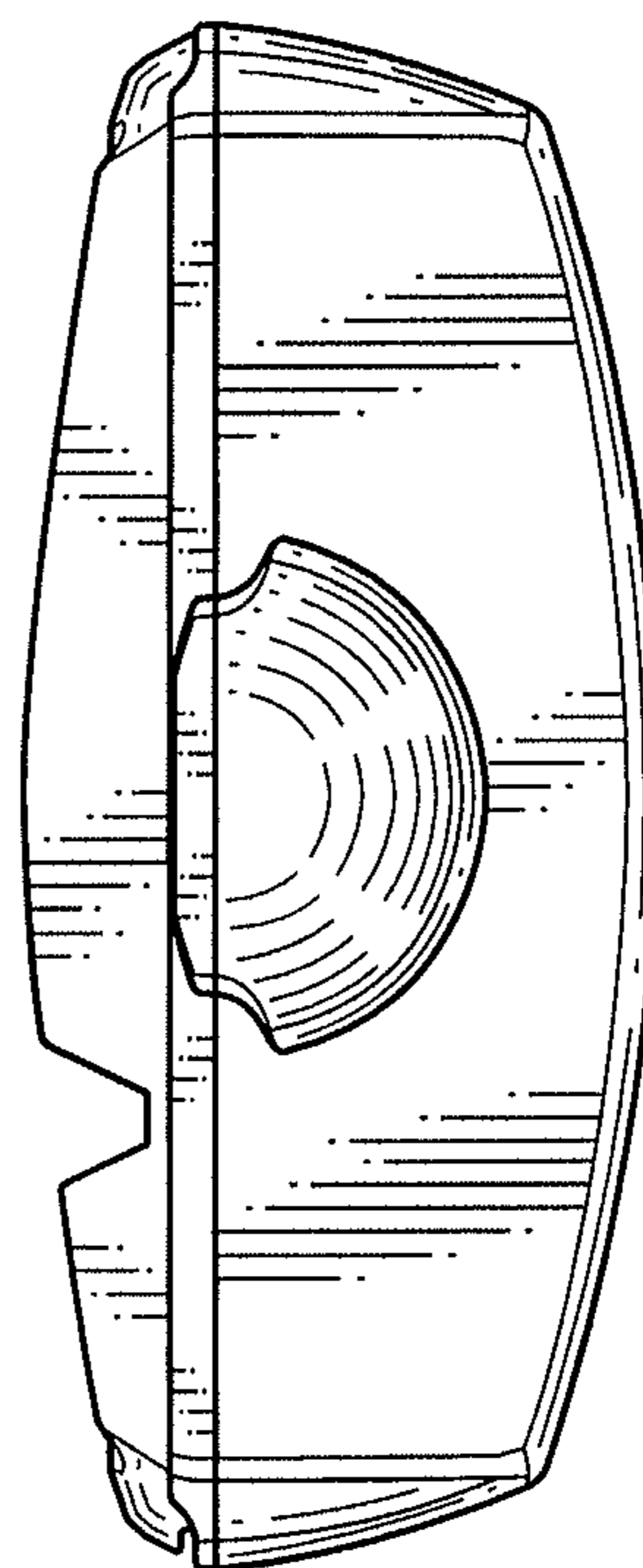


Fig. 7