



US00D747508S

(12) **United States Design Patent**
Thirumurugan

(10) **Patent No.:** **US D747,508 S**
(45) **Date of Patent:** **** Jan. 12, 2016**

- (54) **LAMP**
- (71) Applicant: **Natarajan Thirumurugan**, Wakefield, MA (US)
- (72) Inventor: **Natarajan Thirumurugan**, Wakefield, MA (US)
- (73) Assignee: **OSRAM SYLVANIA Inc.**, Wilmington, MA (US)
- (**) Term: **14 Years**
- (21) Appl. No.: **29/508,437**
- (22) Filed: **Nov. 6, 2014**
- (51) **LOC (10) Cl.** **26-04**
- (52) **U.S. Cl.**
USPC **D26/2**
- (58) **Field of Classification Search**
USPC D26/1-4; 313/313, 315, 316, 317, 318, 313/493; 315/52, 53, 56, 57, 58
CPC H01J 5/48; H01J 5/50; H01J 19/54; F21V 5/00
See application file for complete search history.

D628,320 S	11/2010	Yamamoto	
D633,226 S *	2/2011	Katsaros	D26/2
D634,451 S *	3/2011	de Visser	D26/2
D659,860 S	5/2012	Yoshinobu et al.	
D660,467 S	5/2012	Yamamoto et al.	
D668,364 S	10/2012	Yamamoto et al.	
2011/0140586 A1	6/2011	Wang	
2011/0170302 A1	7/2011	Breidenassel et al.	

OTHER PUBLICATIONS

Toshiba E-Core LED lamp on sale in Japan, Jul. 2013 (one page).

* cited by examiner

Primary Examiner — Marcus Jackson

(74) *Attorney, Agent, or Firm* — Edward S. Podszus

(57) **CLAIM**

The ornamental design for a lamp, as shown and described.

DESCRIPTION

FIG. 1 is a perspective view of the new design for a lamp as seen from the front, top;

FIG. 2 is a front elevational view thereof;

FIG. 3 is a rear elevational view thereof;

FIG. 4 is a left side elevational view thereof;

FIG. 5 is a right side elevational view thereof;

FIG. 6 is a top plan view thereof; and,

FIG. 7 is a bottom plan view thereof.

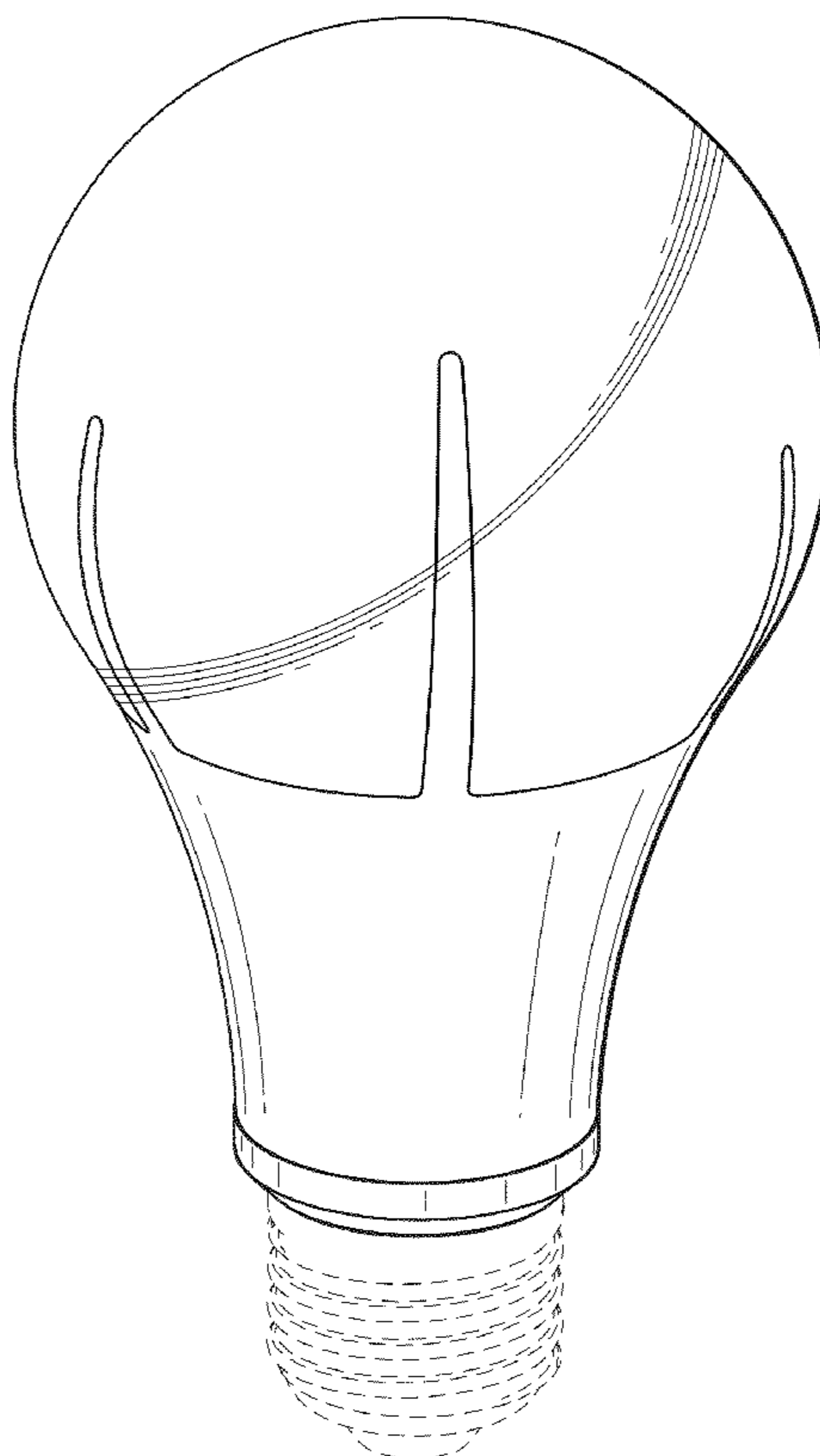
The broken line disclosure is for environmental purposes only and does not form a part of the claimed design.

(56) **References Cited**

U.S. PATENT DOCUMENTS

D543,288 S *	5/2007	Bembridge	D26/2
D610,272 S *	2/2010	Guo	D26/2

1 Claim, 7 Drawing Sheets



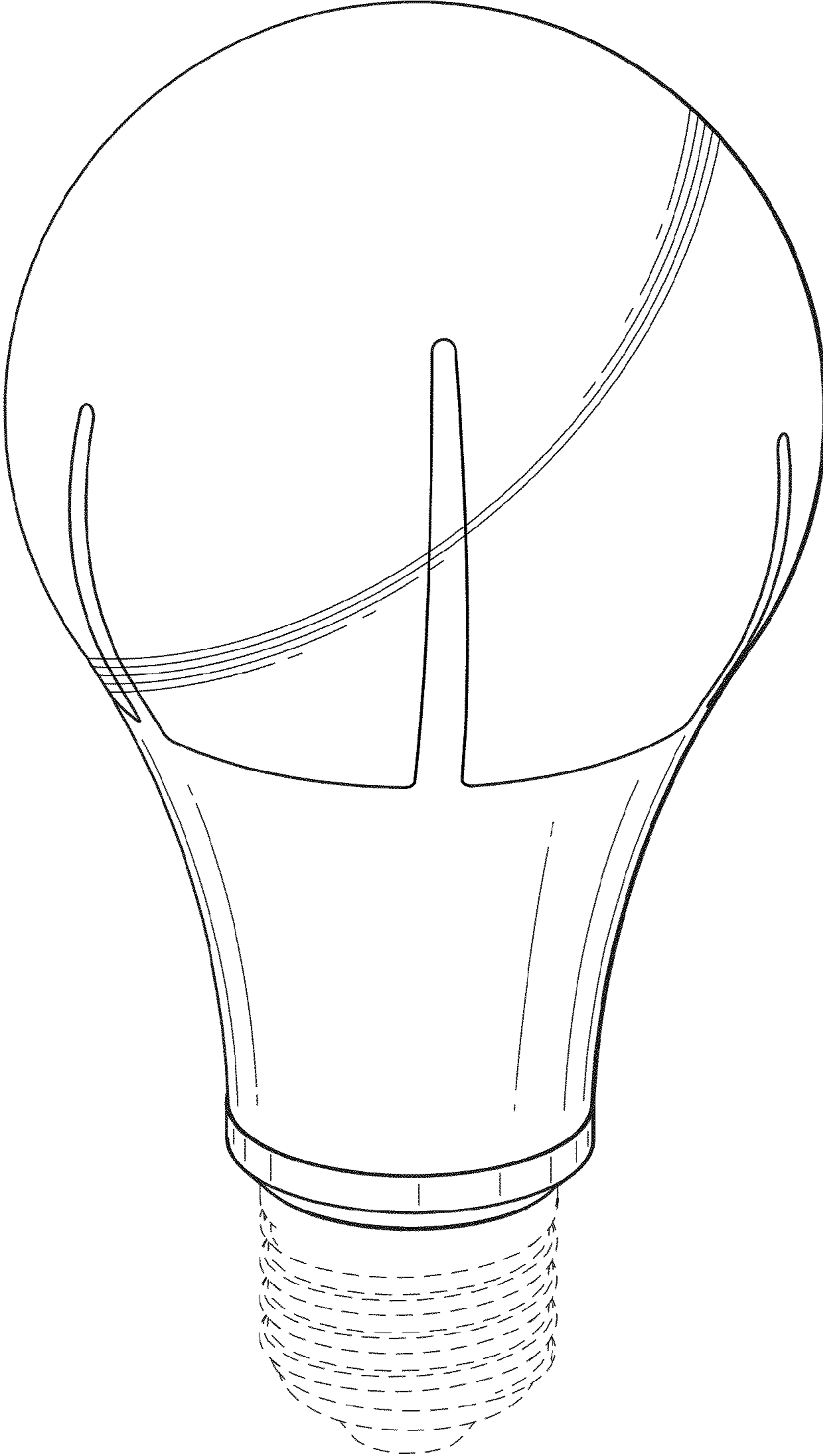


FIG. 1

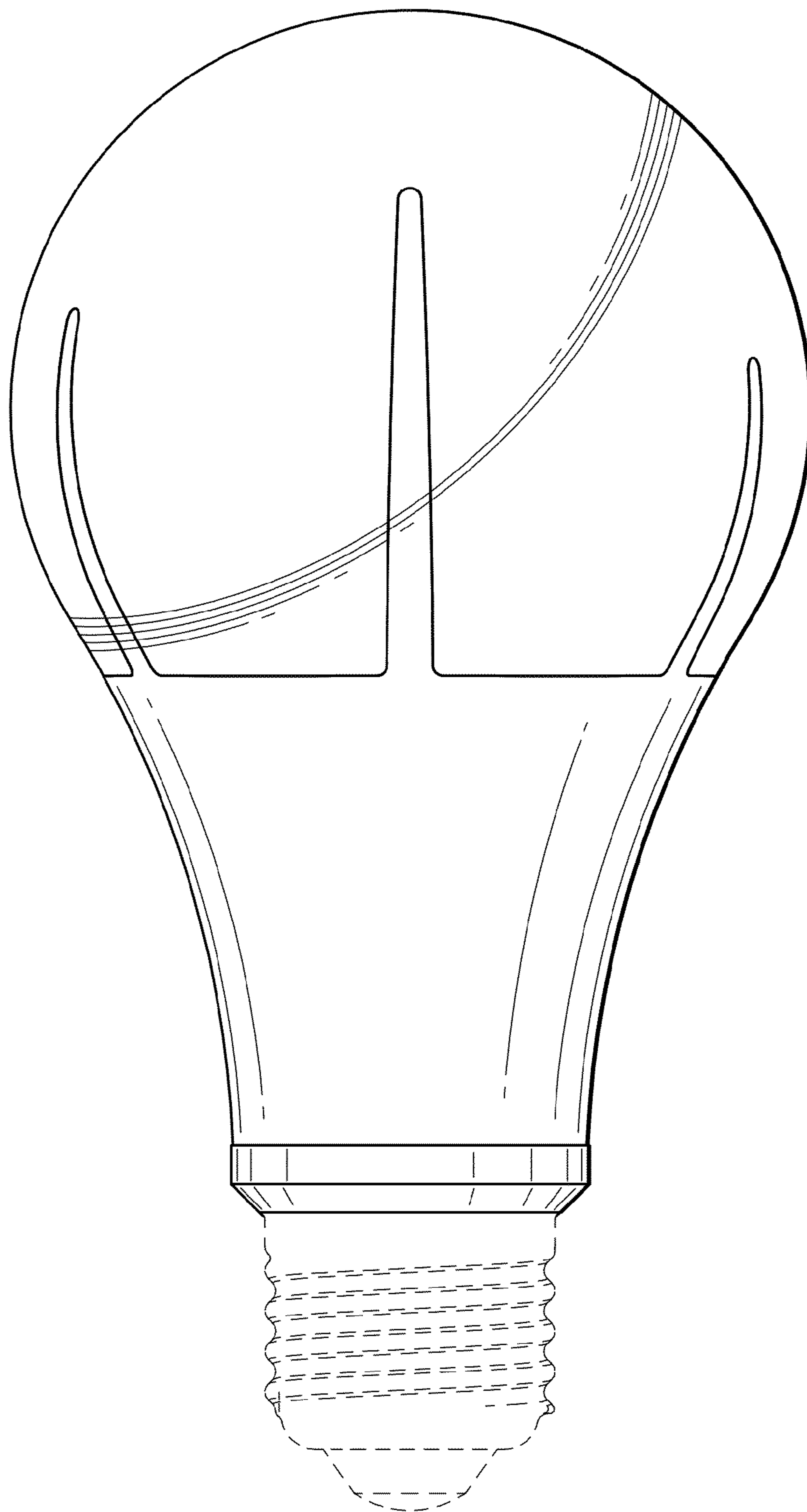


FIG. 2

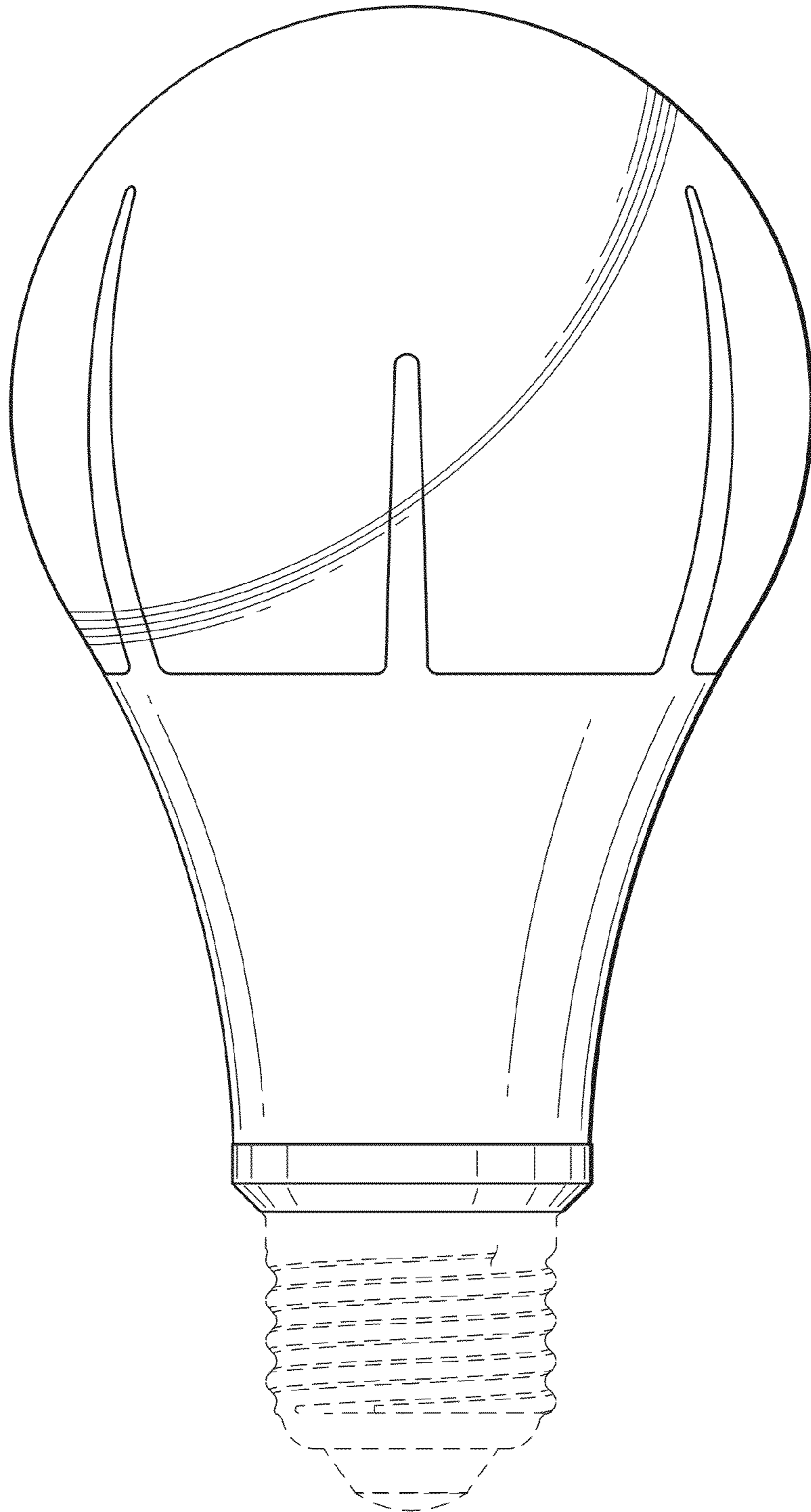


FIG. 3

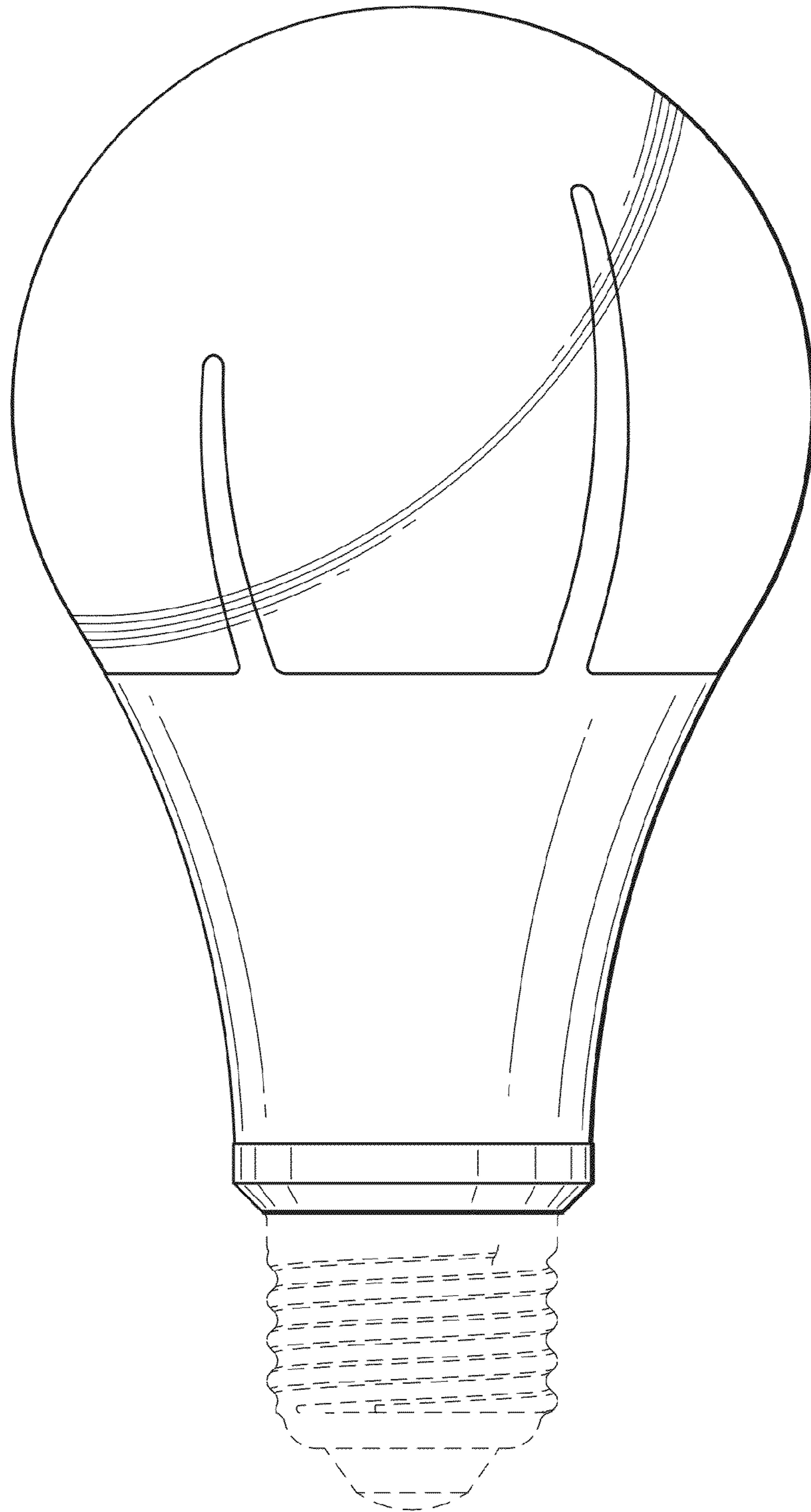


FIG. 4

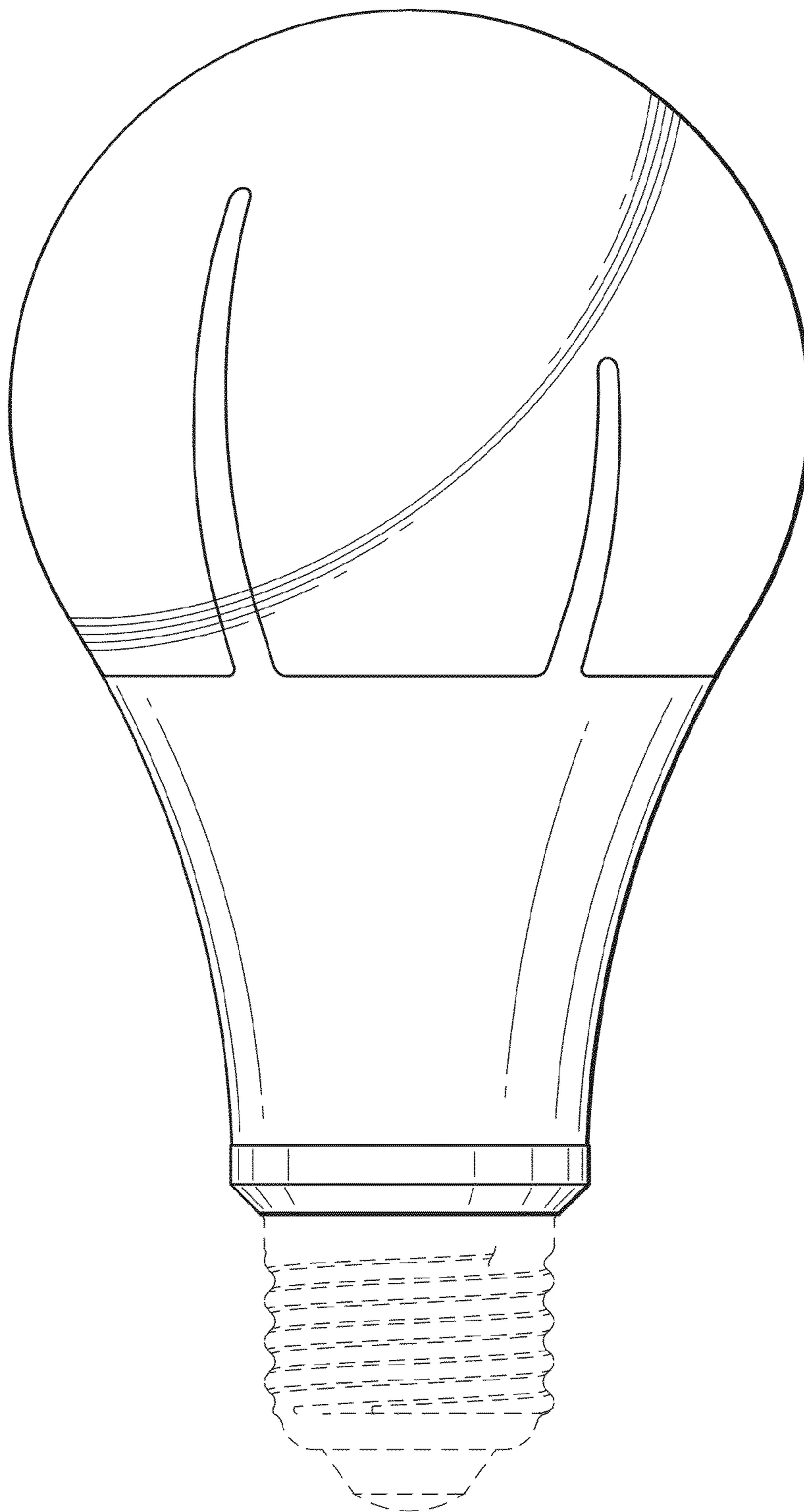


FIG. 5

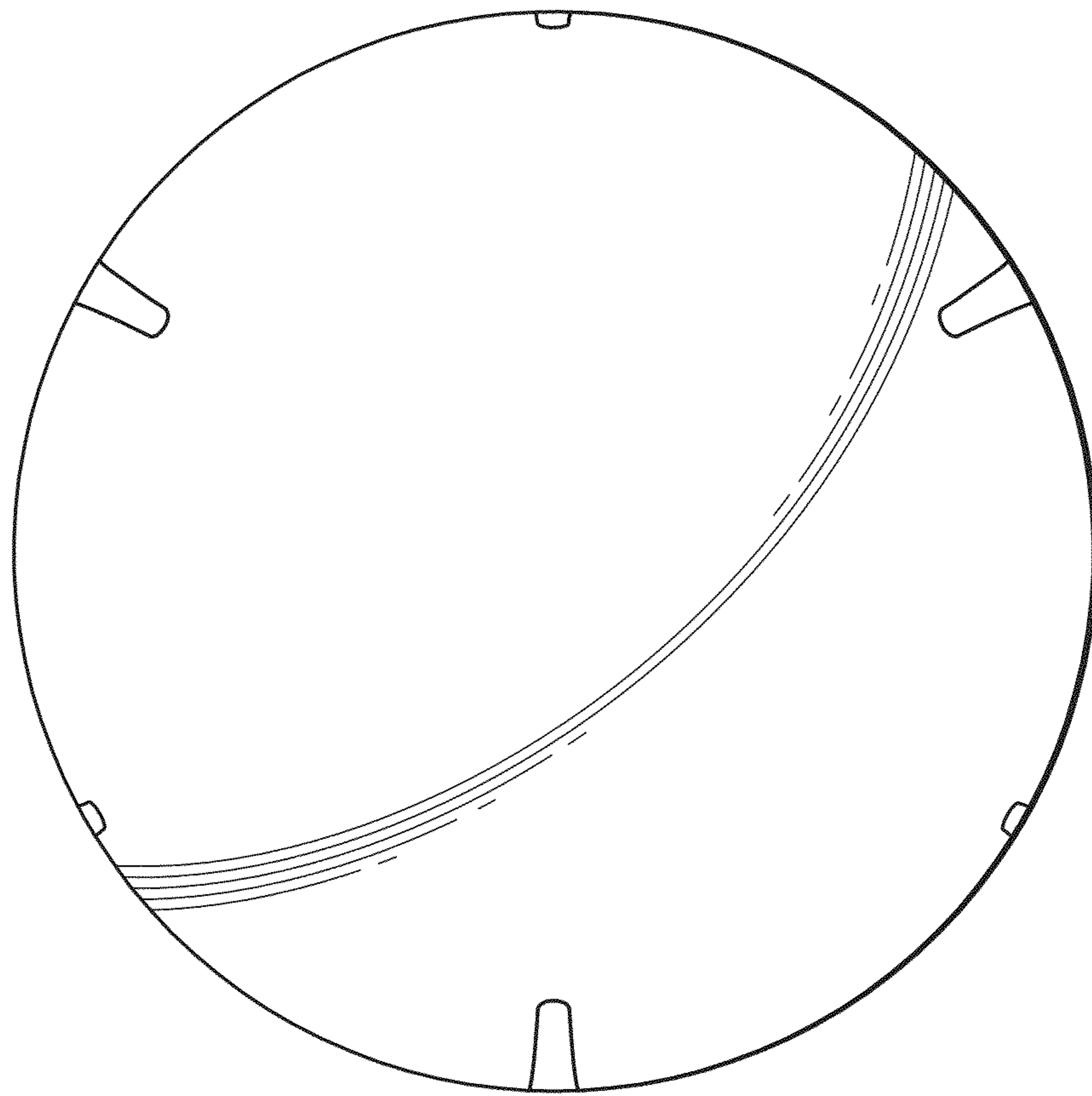


FIG. 6

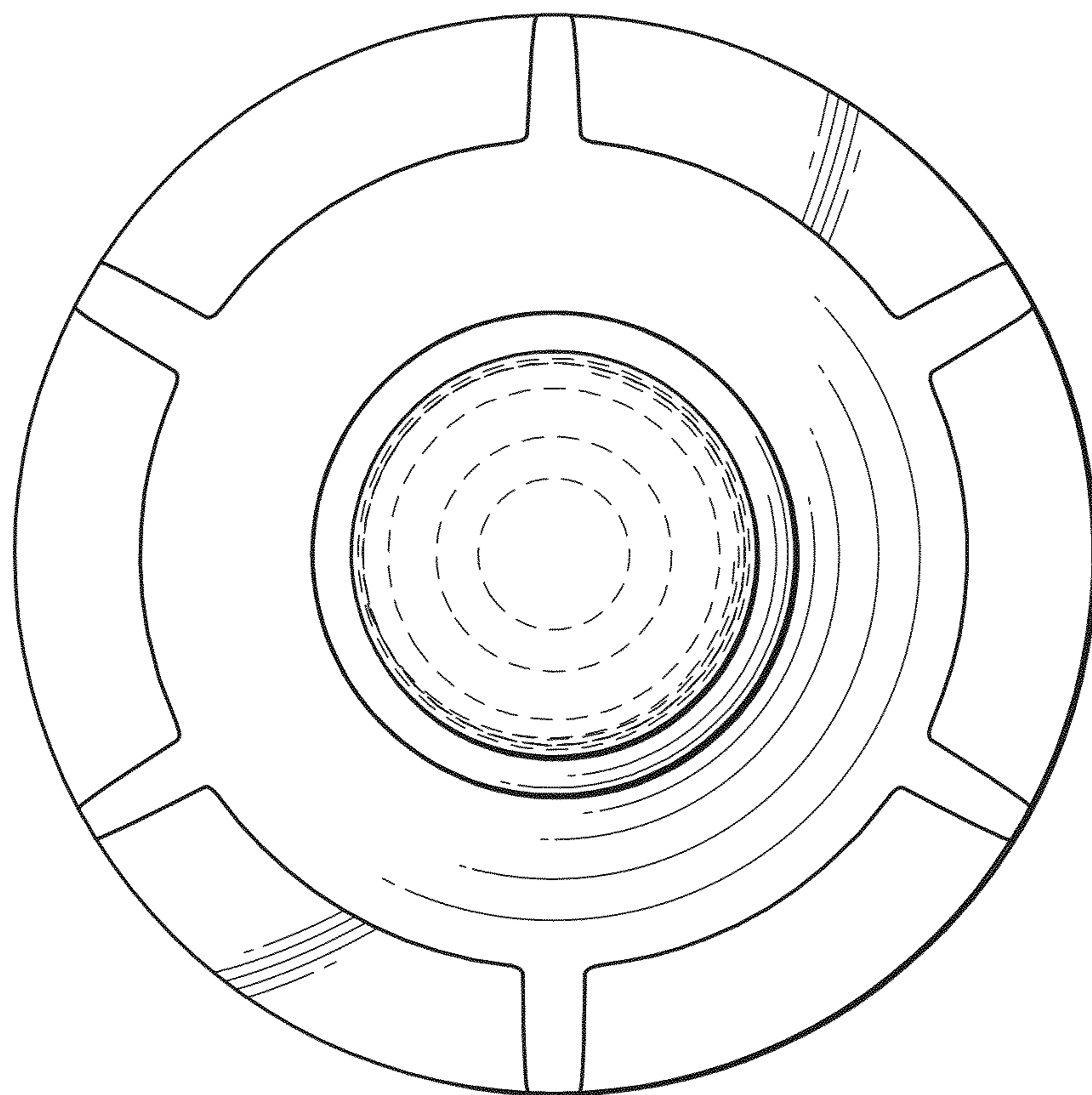


FIG. 7