



US00D747505S

(12) **United States Design Patent**
Serocki et al.

(10) **Patent No.:** **US D747,505 S**
(45) **Date of Patent:** **** Jan. 12, 2016**

(54) **LED LIGHT MODULE**

(71) Applicants: **Philip J. Serocki**, Sparta, TN (US);
William Kushner, Miami, FL (US)

(72) Inventors: **Philip J. Serocki**, Sparta, TN (US);
William Kushner, Miami, FL (US)

(73) Assignee: **Taco Metals, Inc.**, Miami, FL (US)

(**) Term: **14 Years**

(21) Appl. No.: **29/503,764**

(22) Filed: **Sep. 29, 2014**

(51) **LOC (10) Cl.** **26-04**

(52) **U.S. Cl.**
USPC **D26/1**

(58) **Field of Classification Search**
USPC D26/1-4; D13/180; 313/313, 315, 316,
313/317, 318, 493; 315/52, 53, 56, 57, 58
CPC H01J 5/48; H01J 5/50; H01J 19/54;
F21V 5/00

See application file for complete search history.

(56) **References Cited**

U.S. PATENT DOCUMENTS

D634,863 S *	3/2011	Leung	D26/1
D636,899 S *	4/2011	Shibahara	D13/180
D667,145 S *	9/2012	Bierhuizen	D26/1
D683,481 S *	5/2013	Bierhuizen	D13/180
D693,033 S *	11/2013	Takeda	D13/180

* cited by examiner

Primary Examiner — Marcus Jackson

(74) *Attorney, Agent, or Firm* — Robert M. Schwartz

(57) **CLAIM**

The ornamental design for an LED light module, as shown and described.

DESCRIPTION

FIG. 1 is a perspective view showing the new design of an LED light module.

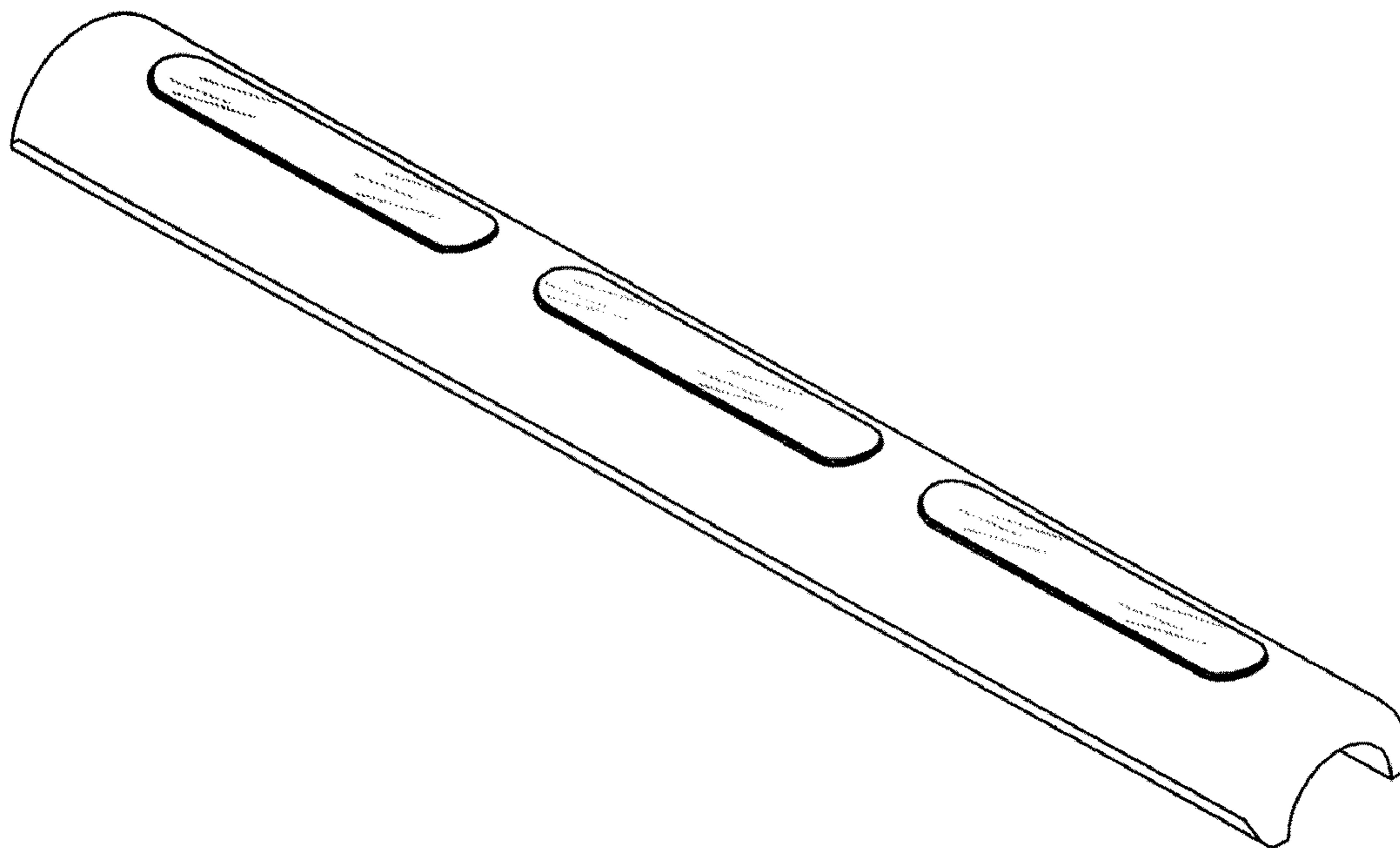
FIG. 2 is a front view showing the design. The front and rear views are the same.

FIG. 3 is a bottom view showing the design.

FIG. 4 is a top view showing the design; and,

FIG. 5 is an end view showing the design. The end views are the same.

1 Claim, 3 Drawing Sheets



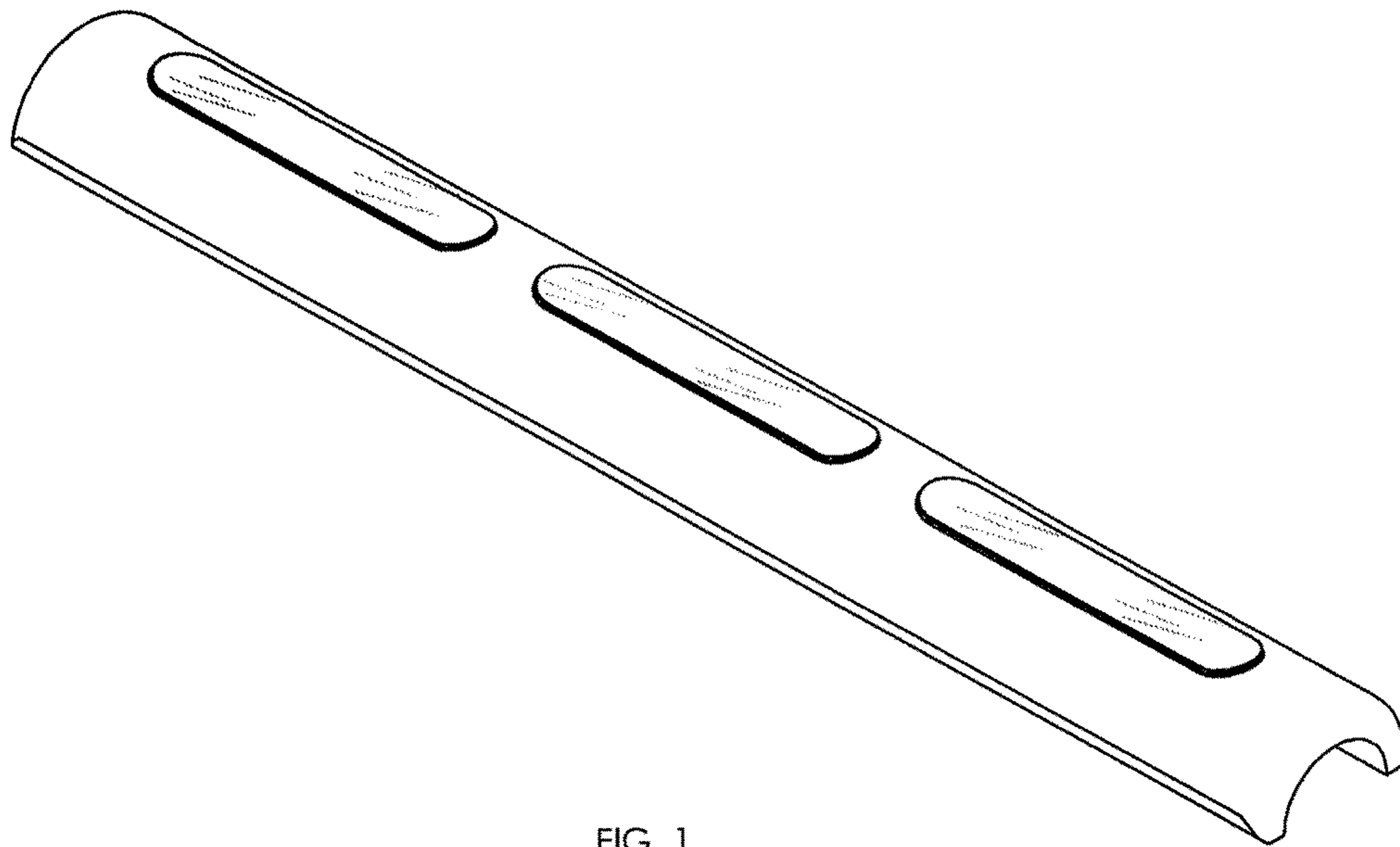


FIG. 1

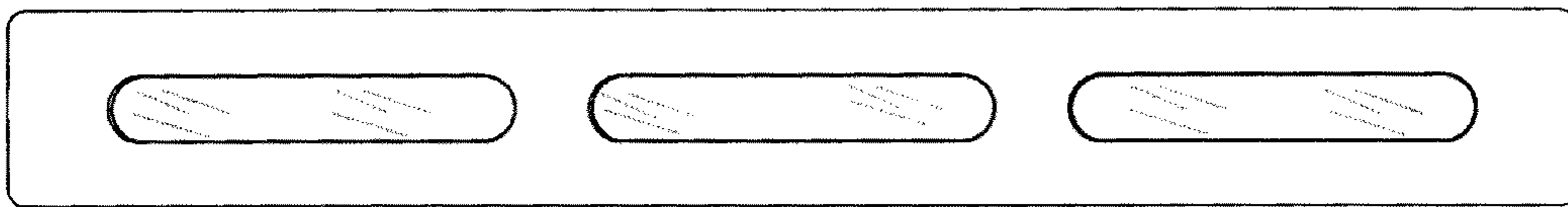


FIG. 4



FIG. 2

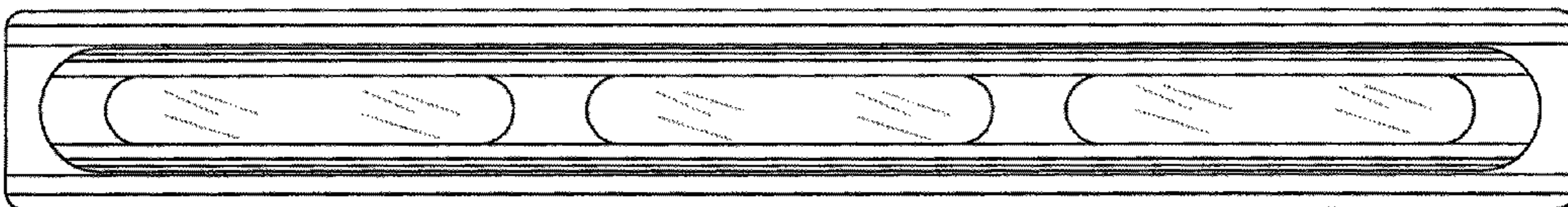


FIG. 3



FIG. 5