



US00D747498S

(12) **United States Design Patent**
Palmer

(10) **Patent No.:** **US D747,498 S**
(45) **Date of Patent:** **** Jan. 12, 2016**

(54) **HUNTING BLIND**

D479,881 S 9/2003 Blassingame et al.
6,978,862 B1 12/2005 Cotten, Sr.
7,900,645 B2 * 3/2011 Bunce et al. 135/115

(71) Applicant: **Kenneth Palmer**, Mayfield, KY (US)

* cited by examiner

(72) Inventor: **Kenneth Palmer**, Mayfield, KY (US)

Primary Examiner — Robert Delehanty

(**) Term: **14 Years**

(74) *Attorney, Agent, or Firm* — Julie A. Tennyson

(21) Appl. No.: **29/477,873**

(57) **CLAIM**

I claim the ornamental design for a hunting blind, as shown and described.

(22) Filed: **Dec. 27, 2013**

DESCRIPTION

(51) **LOC (10) Cl.** **23-03**

(52) **U.S. Cl.**

USPC **D25/16**

(58) **Field of Classification Search**

USPC D25/1, 3-4, 16, 31, 33

CPC ... A01M 31/00; A01M 31/02; A01M 31/025;

Y10S 135/901; E04H 15/54

See application file for complete search history.

FIG. 1 is back view of the hunting blind without optional foliage.

FIG. 2 is a back of the hunting blind with the windows open and without optional foliage.

FIG. 3 is an isometric view of hunting blind without optional foliage.

FIG. 4 is a side view with the door open without optional foliage.

FIG. 5 is a close-up view of the top of the hunting blind.

FIG. 6 is an isometric front view of the hunting blind with optional foliage and battery box.

FIG. 7 is an isometric back view of the hunting blind with optional foliage and battery box.

FIG. 8 is a front view of the window closed, where all the windows look the same closed; and,

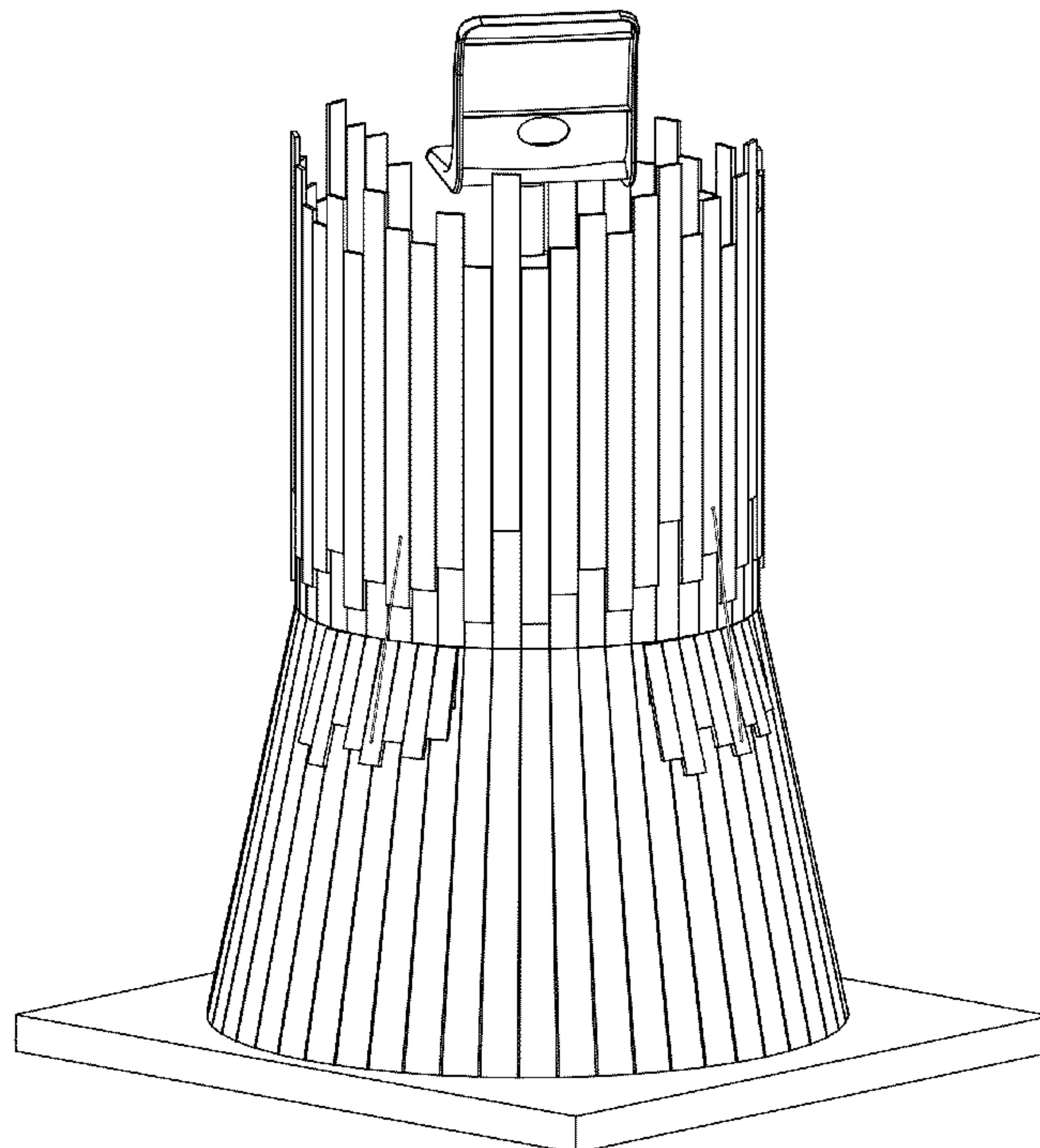
FIG. 9 is a front view of the window open, where all the windows look the same open.

(56) **References Cited**

U.S. PATENT DOCUMENTS

2,827,729	A *	3/1958	Hoene	43/1
3,220,766	A *	11/1965	Kates	297/184.16
3,336,999	A	8/1967	McSwain		
4,719,716	A	1/1988	Chrisley, Jr.		
4,782,616	A *	11/1988	Hambleton	D25/16
5,371,966	A *	12/1994	Hall	43/1

1 Claim, 9 Drawing Sheets



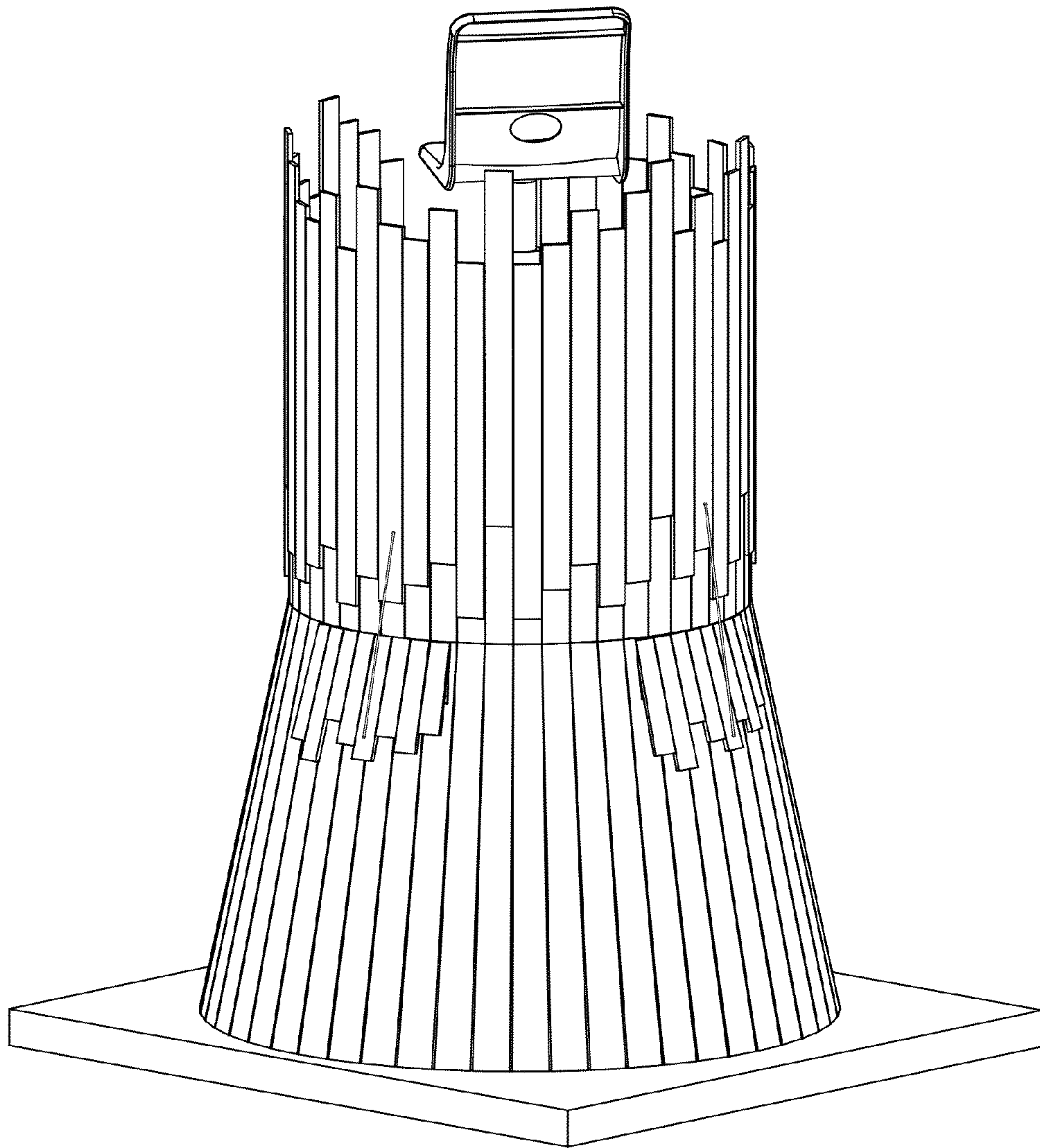


Fig. 1

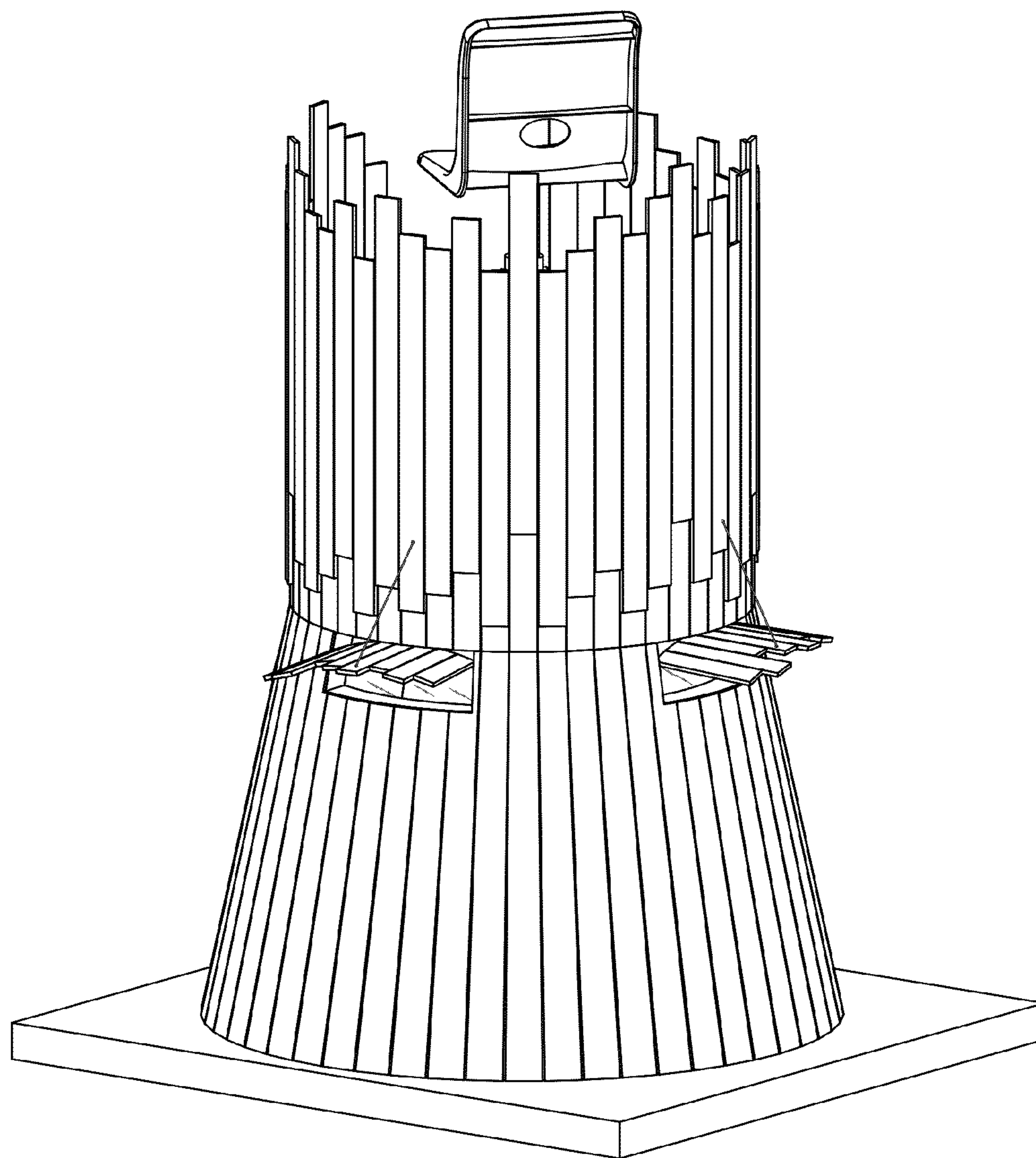


Fig. 2

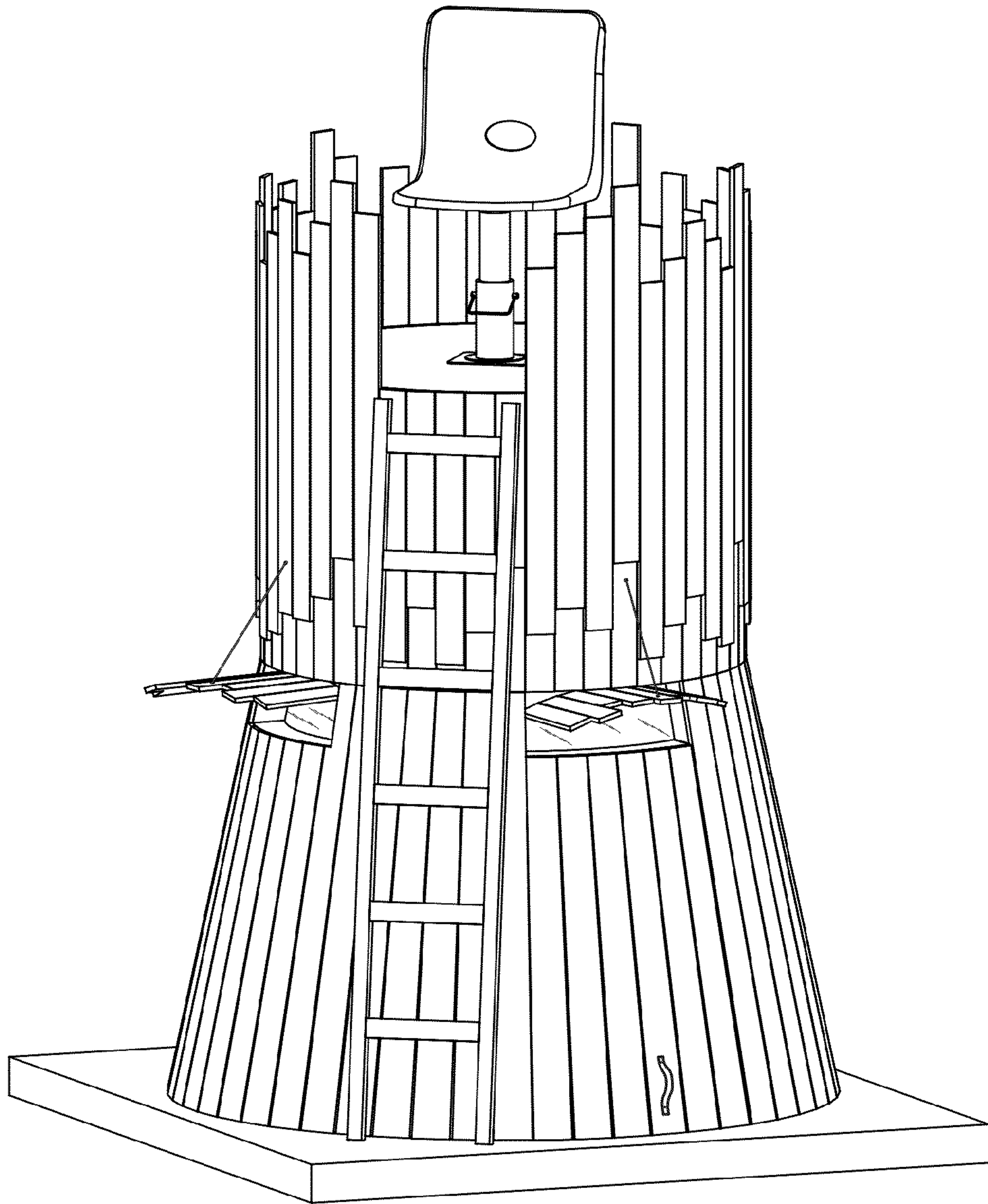


Fig. 3

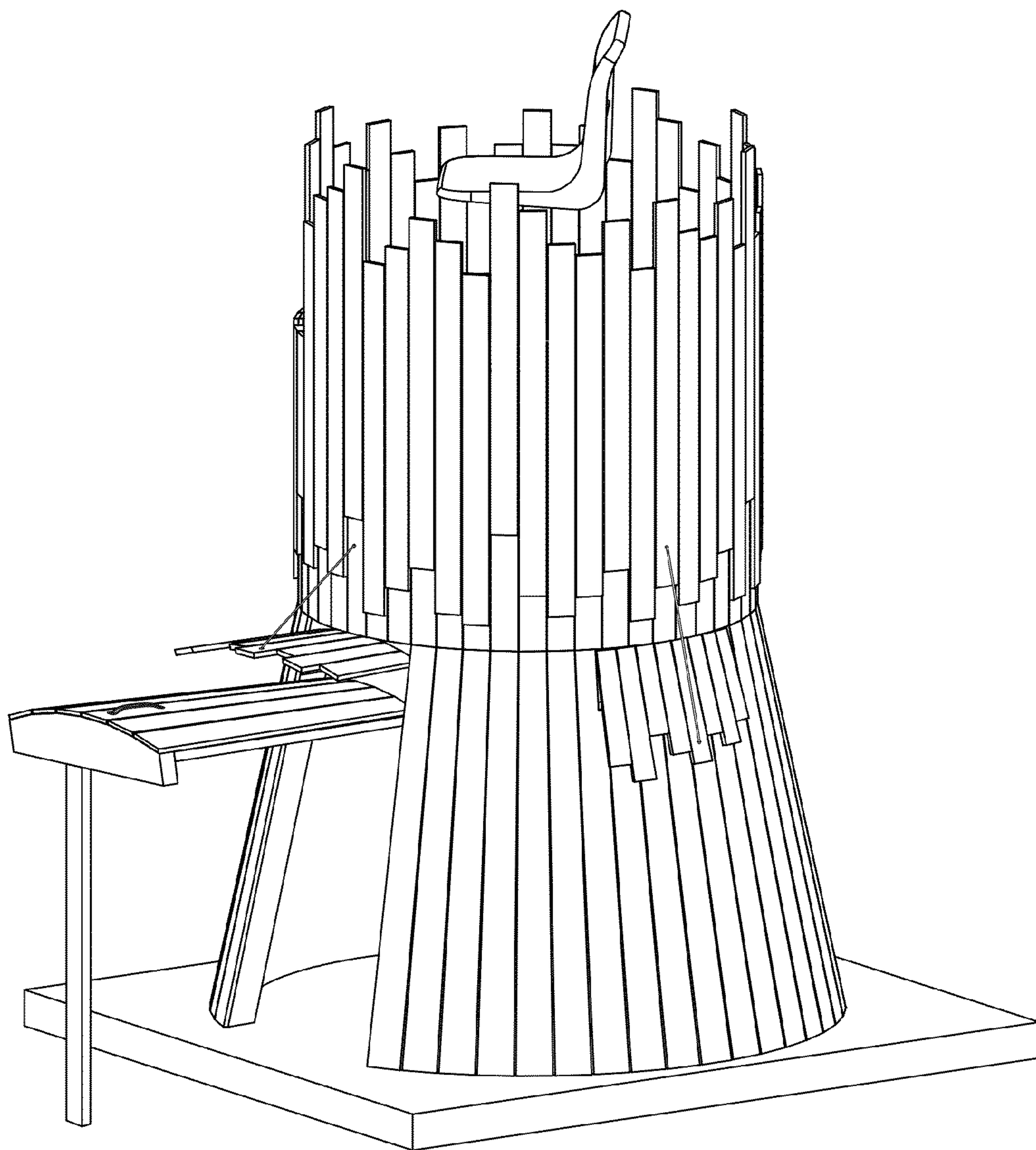


Fig. 4

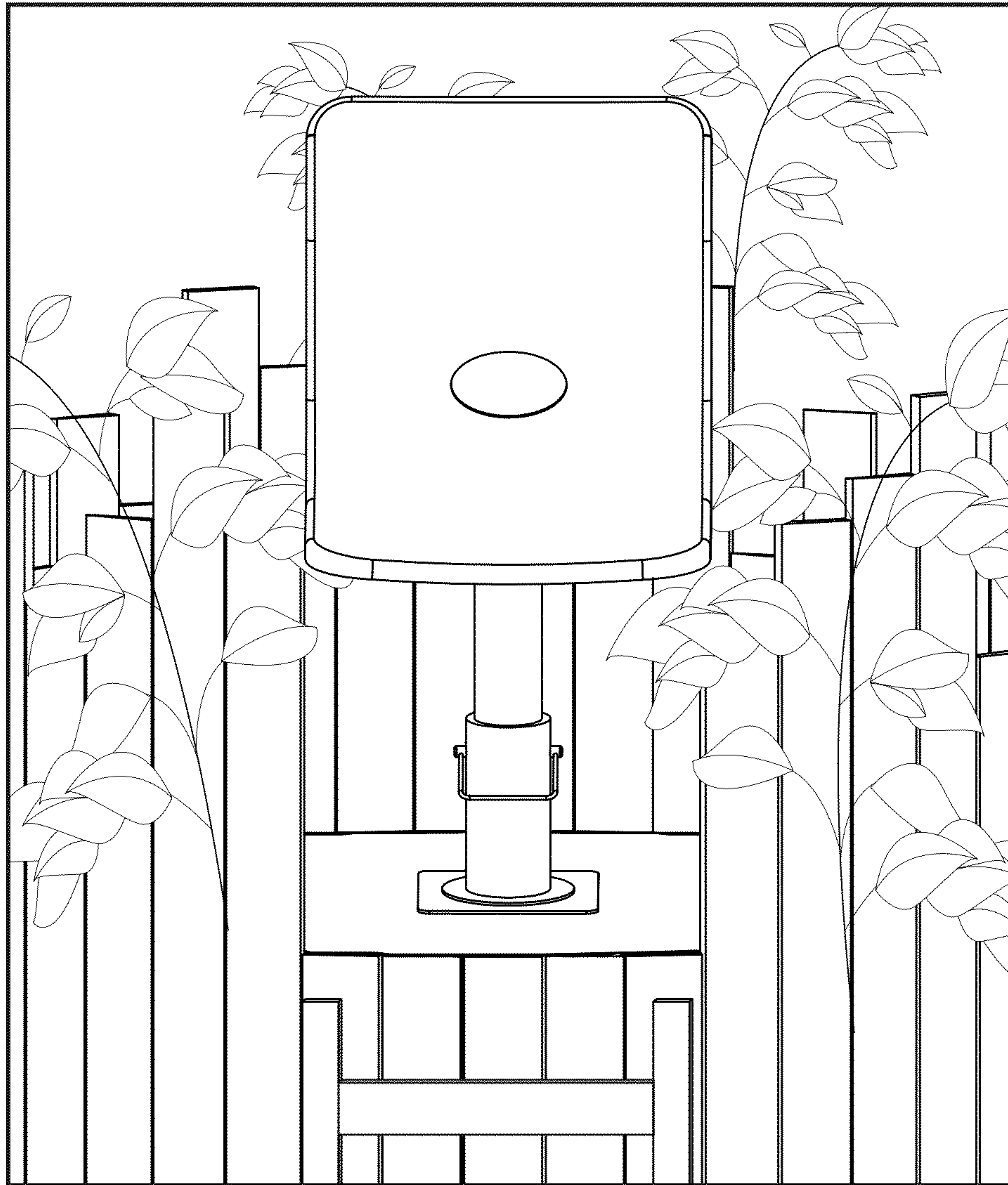


Fig. 5

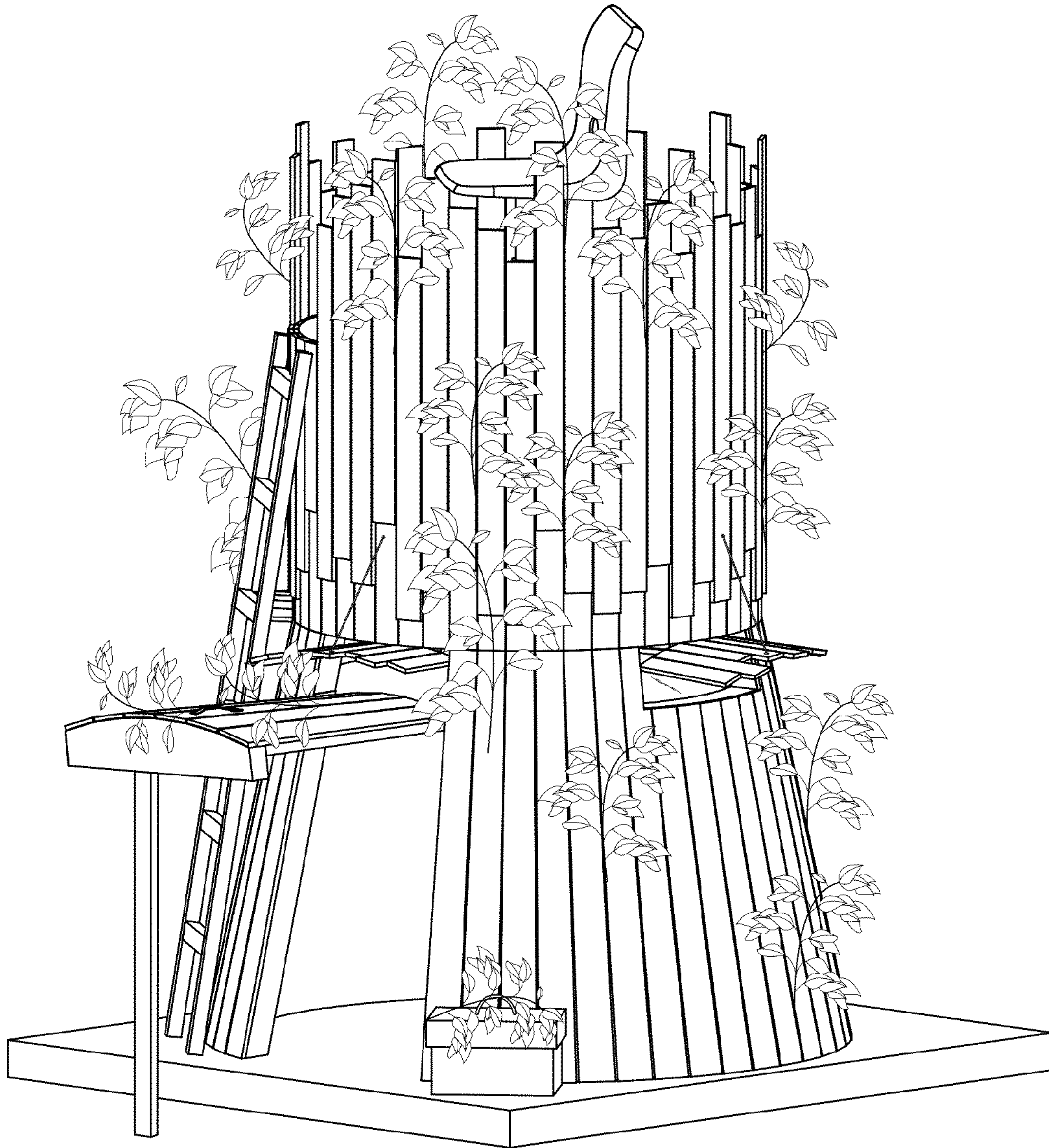


Fig. 6

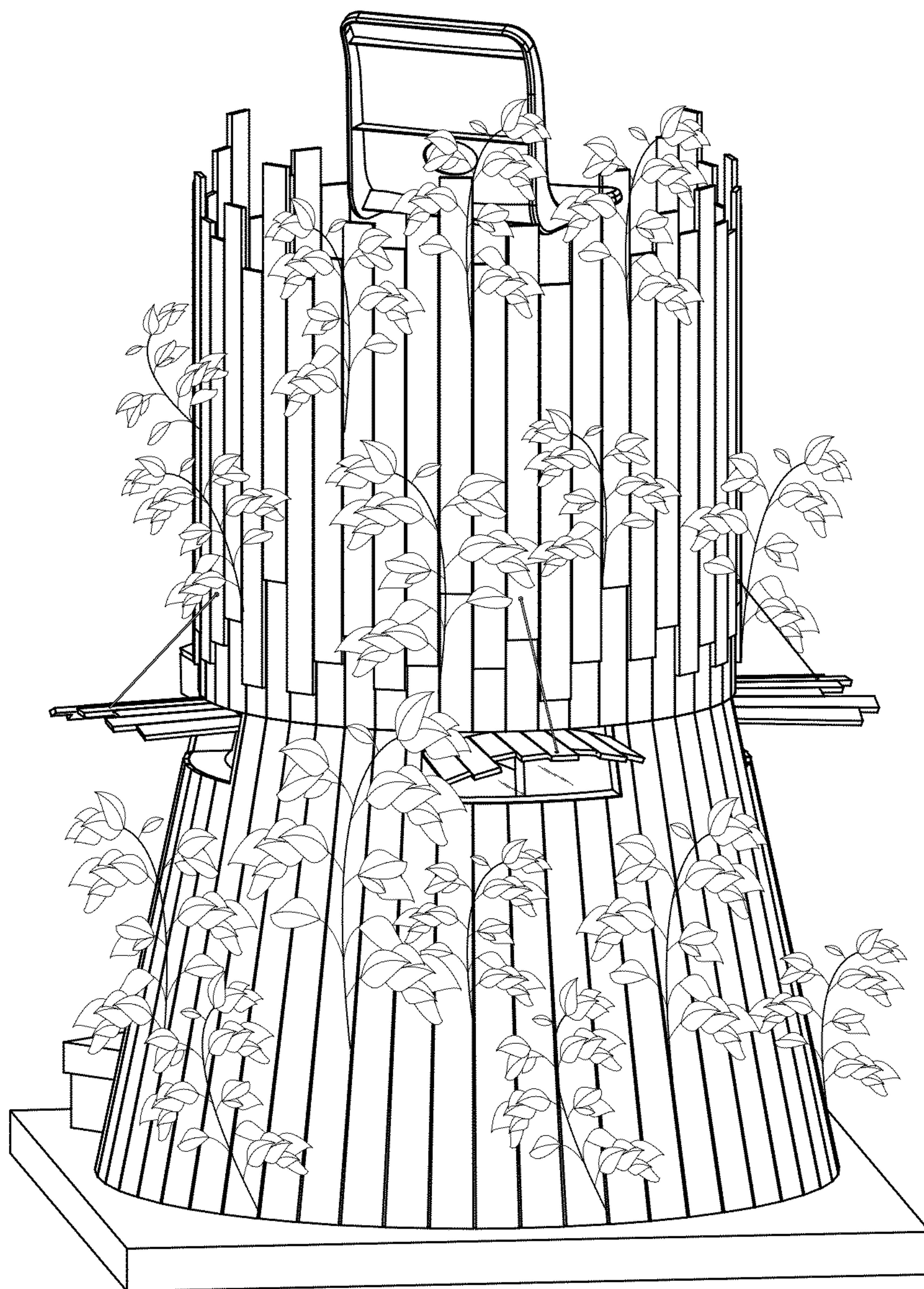


Fig. 7

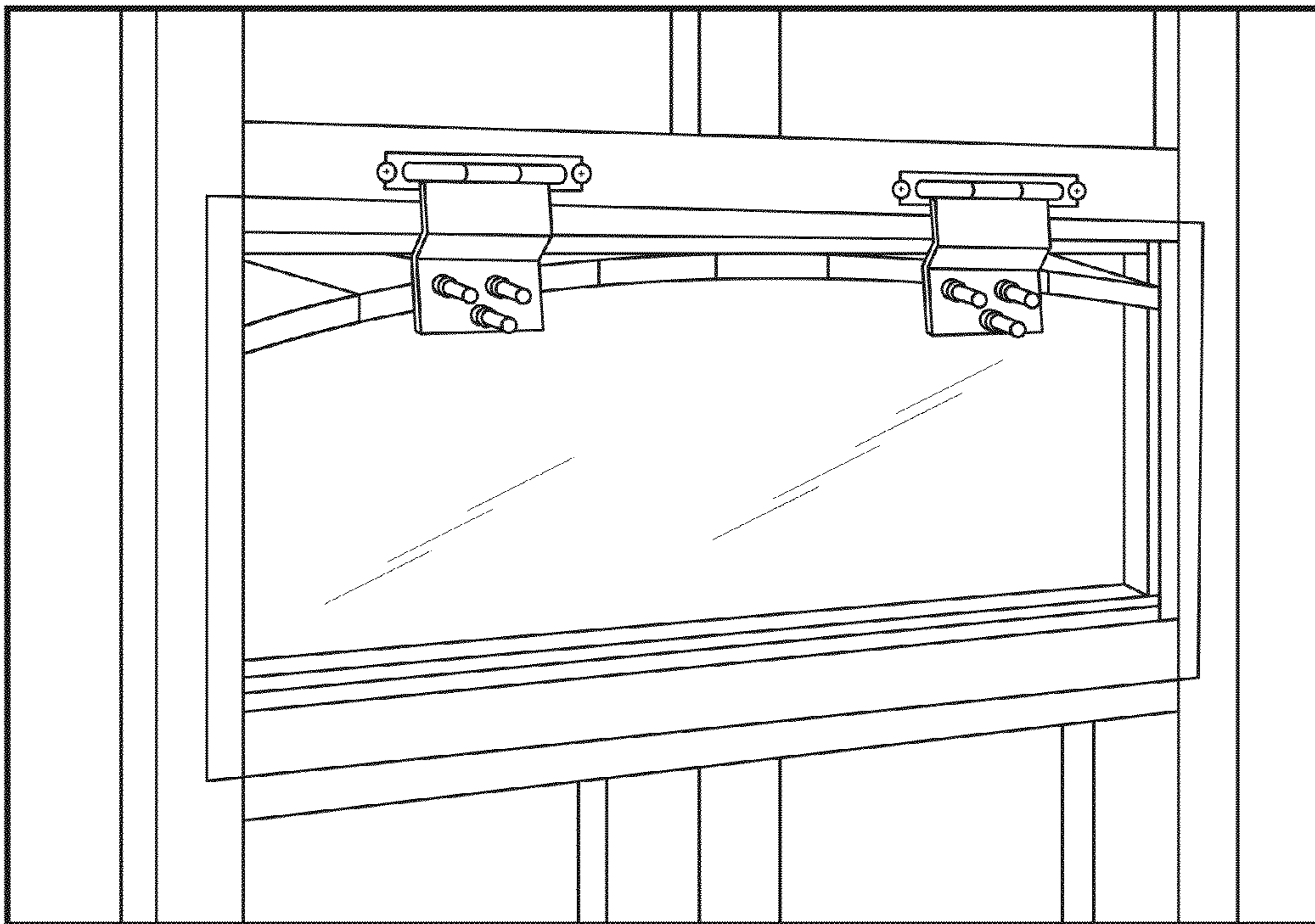


Fig. 8

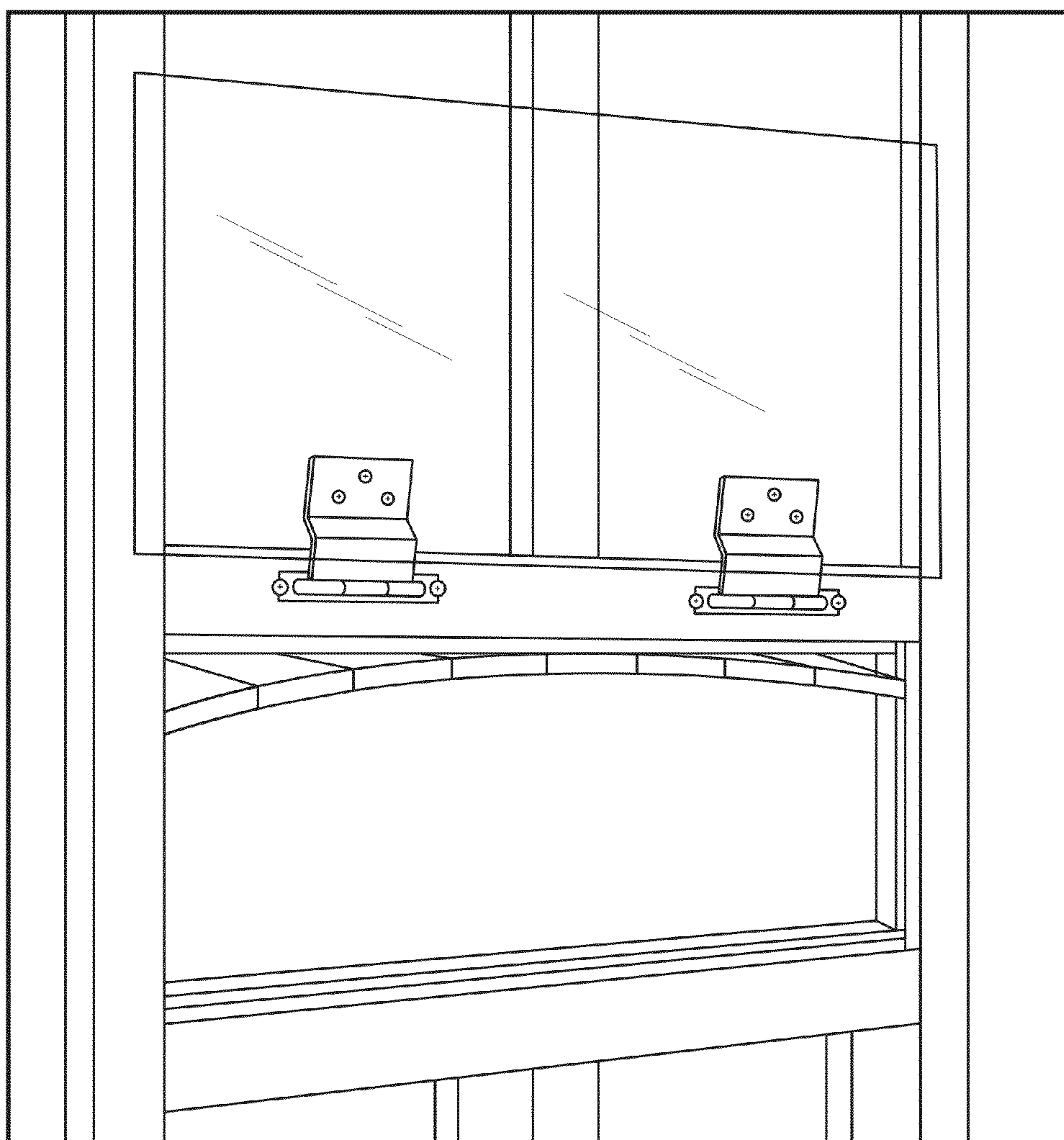


Fig. 9