



US00D747497S

(12) **United States Design Patent**
Bell

(10) **Patent No.:** **US D747,497 S**
(45) **Date of Patent:** **** Jan. 12, 2016**

- (54) **PILL CRUSHING CUP LID**
- (71) Applicant: **First Wave Products Group, LLC**,
Batavia, NY (US)
- (72) Inventor: **Brian D. Bell**, Wyoming, NY (US)
- (73) Assignee: **First Wave Products Group, LLC**,
Batavia, NY (US)
- (**) Term: **14 Years**
- (21) Appl. No.: **29/488,547**
- (22) Filed: **Apr. 21, 2014**
- (51) **LOC (10) Cl.** **24-02**
- (52) **U.S. Cl.**
USPC **D24/220; D9/436**
- (58) **Field of Classification Search**
USPC D9/434, 435, 436, 440, 449, 450, 499;
D24/220; D7/678, 679, 372, 373, 374
CPC A47J 42/10; A47J 42/38; A47J 42/40
See application file for complete search history.

(56) **References Cited**

U.S. PATENT DOCUMENTS

- 3,731,813 A * 5/1973 Tipton E02B 15/046
210/242.3
- D378,565 S * 3/1997 Cousins D7/667

(Continued)

OTHER PUBLICATIONS

First Crush Coups, firstwaveproducts.com, 3 pages. Found online
Nov. 9, 2015 at <http://firstwaveproducts.com/cups/>.*

Primary Examiner — Robert M Spear

(74) *Attorney, Agent, or Firm* — Woods Oviatt Gilman LLP;
Katherine H. McGuire, Esq.

(57) **CLAIM**

The ornamental design for a pill crushing cup lid, as shown
and described.

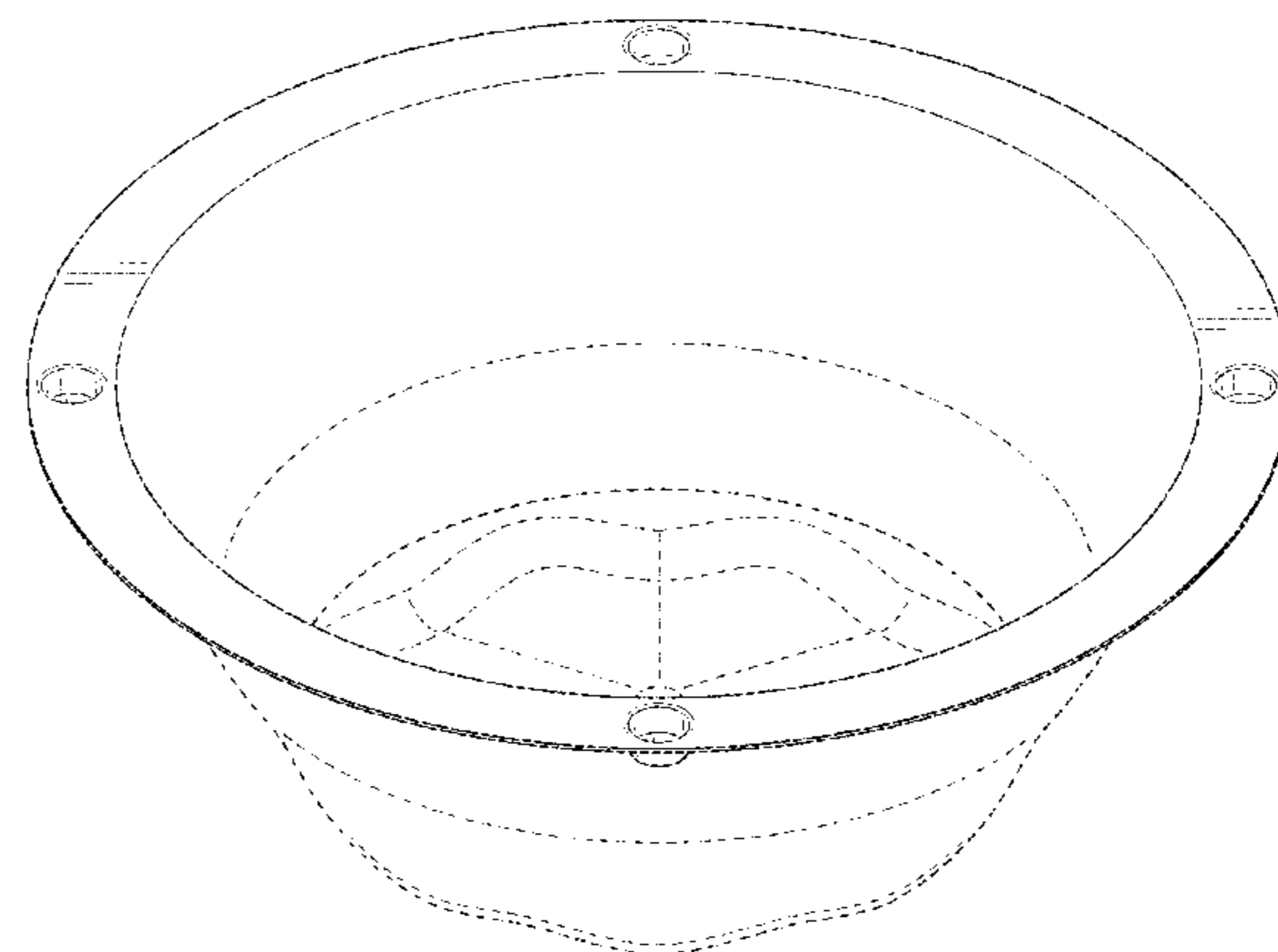
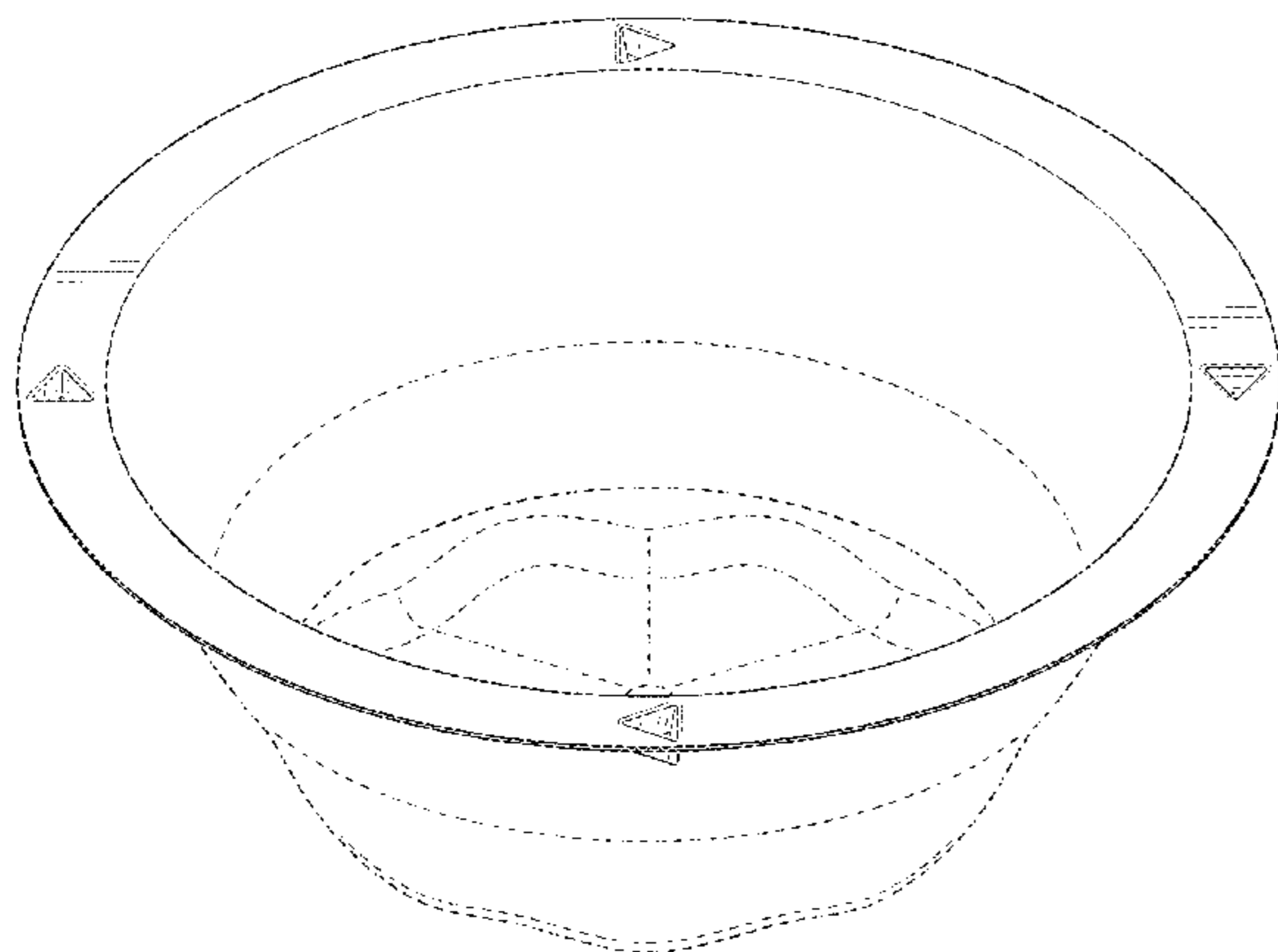
DESCRIPTION

FIG. 1 is a front perspective view of a pill crushing cup lid
showing a first embodiment of our new design;
FIG. 2 is a right side view thereof;

FIG. 3 is a left side view thereof;
FIG. 4 is a front view thereof;
FIG. 5 is a back view thereof;
FIG. 6 is a top view thereof;
FIG. 7 is a bottom view thereof;
FIG. 8 is a front perspective view of a pill crushing lid show-
ing a second embodiment of our new design;
FIG. 9 is a right side view thereof;
FIG. 10 is a left side view thereof;
FIG. 11 is a front view thereof;
FIG. 12 is a back view thereof;
FIG. 13 is a top view thereof;
FIG. 14 is a bottom view thereof;
FIG. 15 is a front perspective view of a pill crushing cup lid
showing a third embodiment of our new design;
FIG. 16 is a right side view thereof;
FIG. 17 is a left side view thereof;
FIG. 18 is a front view thereof;
FIG. 19 is a back view thereof;
FIG. 20 is a top view thereof;
FIG. 21 is a bottom view thereof;
FIG. 22 is a front perspective view of a pill crushing cup lid
showing a fourth embodiment of our new design;
FIG. 23 is a right side view thereof;
FIG. 24 is a left side view thereof;
FIG. 25 is a front view thereof;
FIG. 26 is a back view thereof;
FIG. 27 is a top view thereof;
FIG. 28 is a bottom view thereof;
FIG. 29 is a front perspective view of a pill crushing cup lid
showing a fifth embodiment of our new design;
FIG. 30 is a right side view thereof;
FIG. 31 is a left side view thereof;
FIG. 32 is a front view thereof;
FIG. 33 is a back view thereof;
FIG. 34 is a top view thereof;
FIG. 35 is a bottom view thereof;
FIG. 36 is a front perspective view of a pill crushing cup lid
showing a sixth embodiment of our new design;
FIG. 37 is a right side view thereof;
FIG. 38 is a left side view thereof;
FIG. 39 is a front view thereof;
FIG. 40 is a back view thereof;
FIG. 41 is a top view thereof; and,
FIG. 42 is a bottom view thereof.

The portions of the drawings shown in broken lines form no
part of the claimed design.

1 Claim, 30 Drawing Sheets



(56)

References Cited

U.S. PATENT DOCUMENTS

D378,724 S * 4/1997 Young D7/360
D391,440 S * 3/1998 Cousins D7/360
6,196,481 B1 * 3/2001 Barbagli A47J 42/04
241/169.1
D472,143 S * 3/2003 Martin D9/434

D481,312 S * 10/2003 Martin D9/435
D514,398 S * 2/2006 Feil D7/400
D604,800 S * 11/2009 Vreeland D23/209
7,735,763 B2 * 6/2010 Bell B02C 19/08
241/169.1
D694,900 S * 12/2013 Hohl D24/220
D694,901 S * 12/2013 Hohl D24/220
D739,234 S * 9/2015 Antal, Sr. D9/445

* cited by examiner

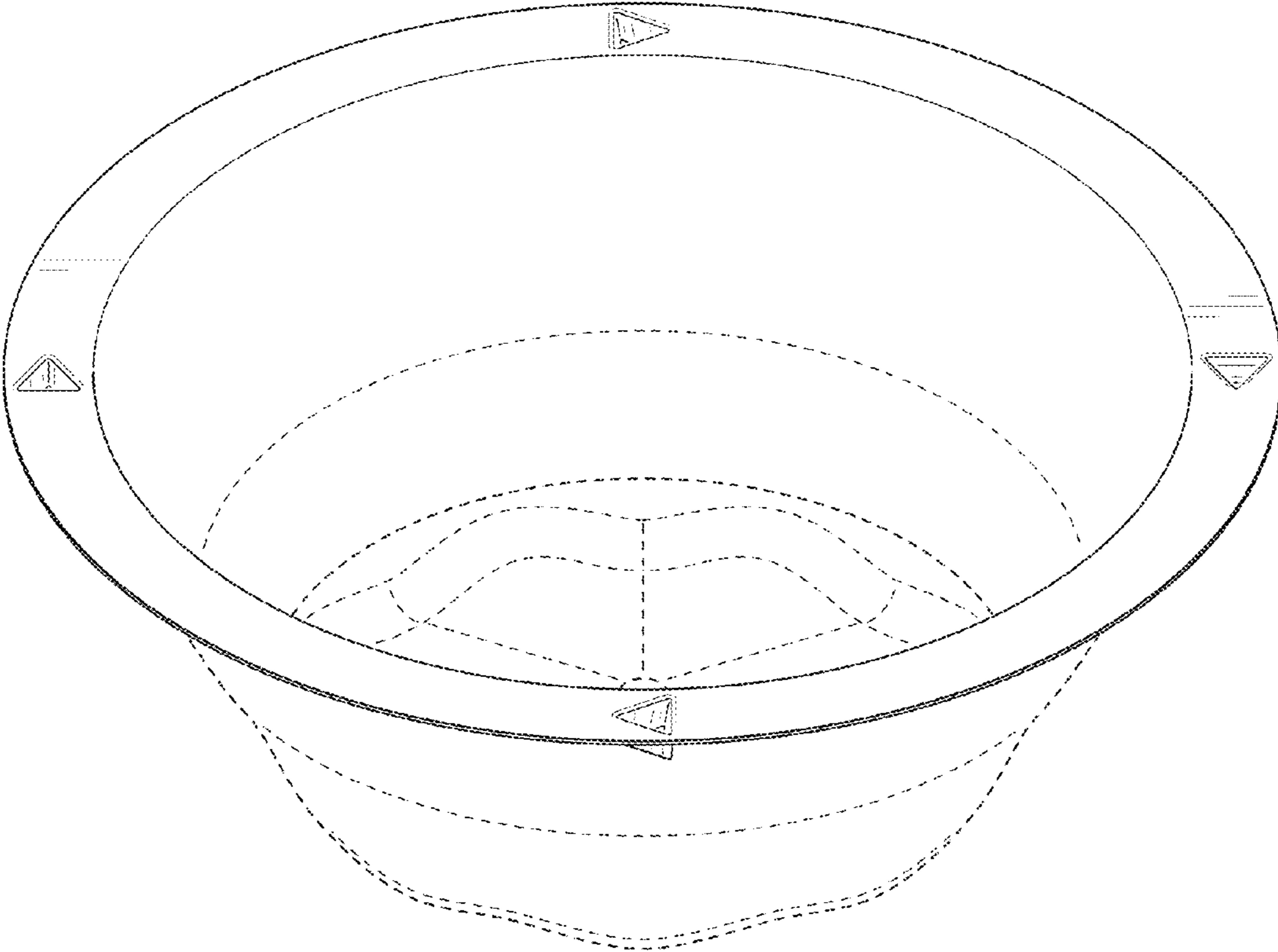


FIG. 1

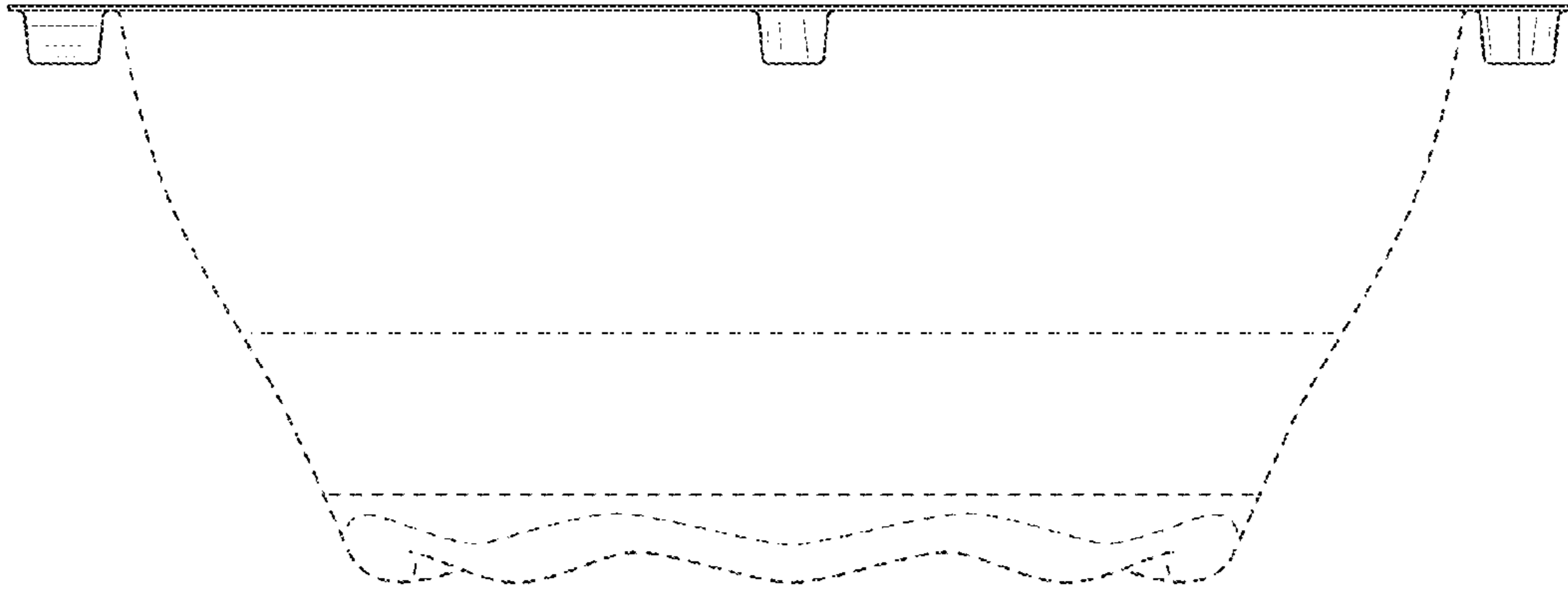


FIG. 2

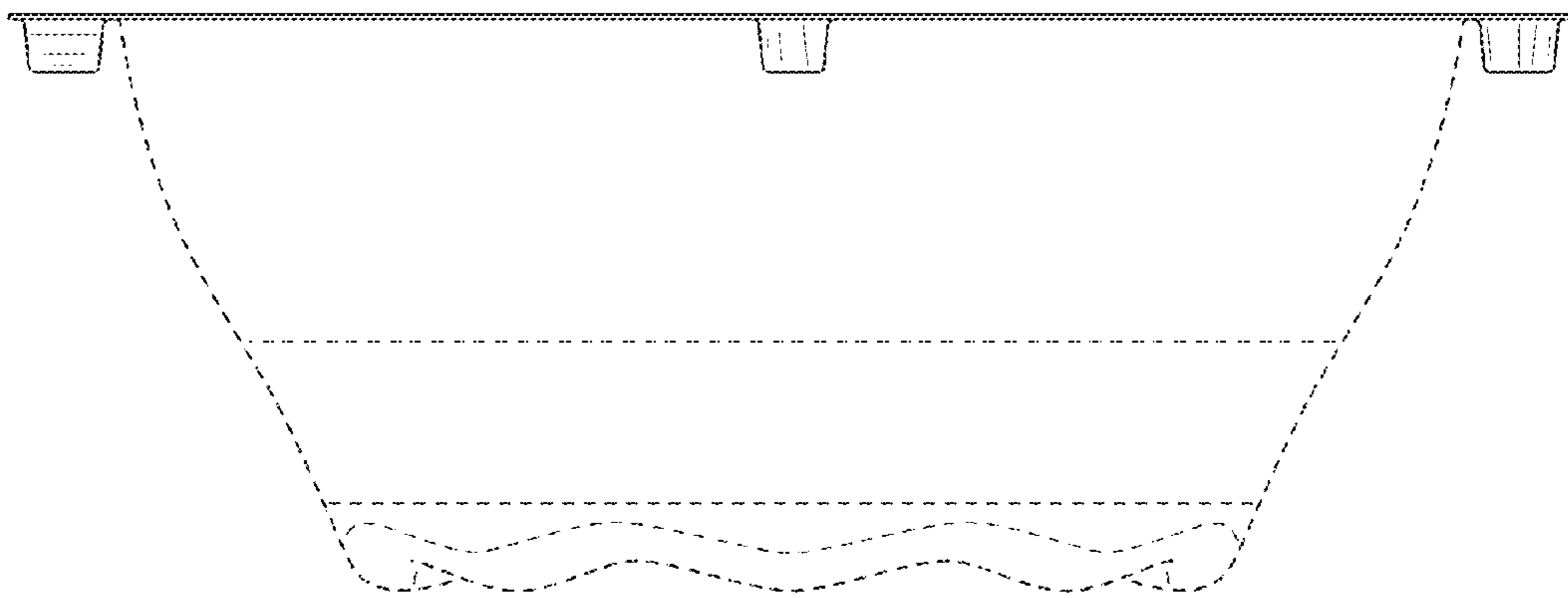


FIG. 3

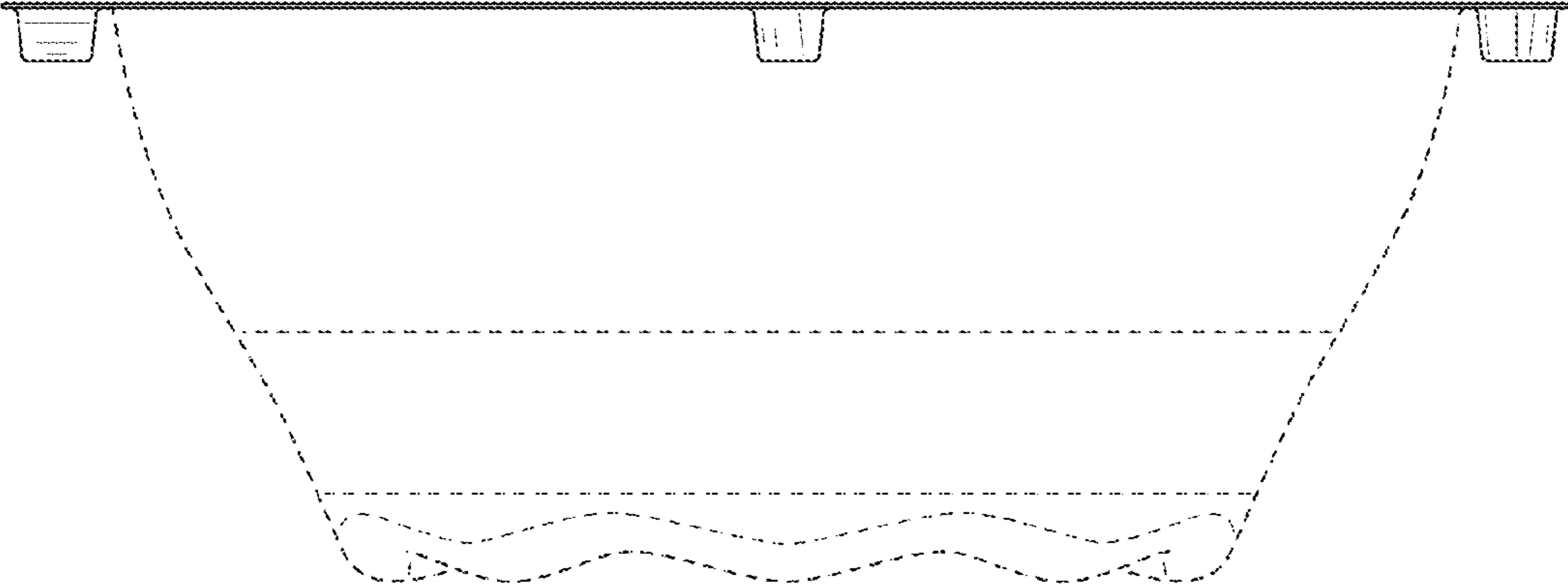


FIG. 4

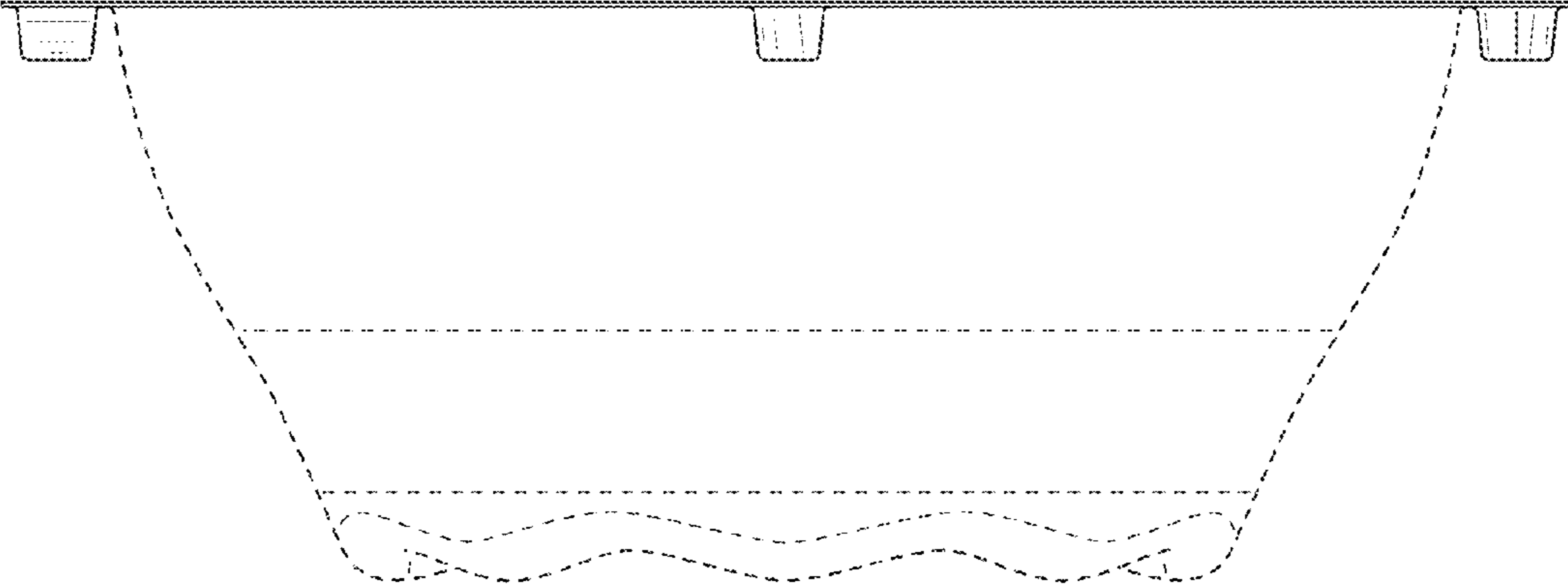


FIG. 5

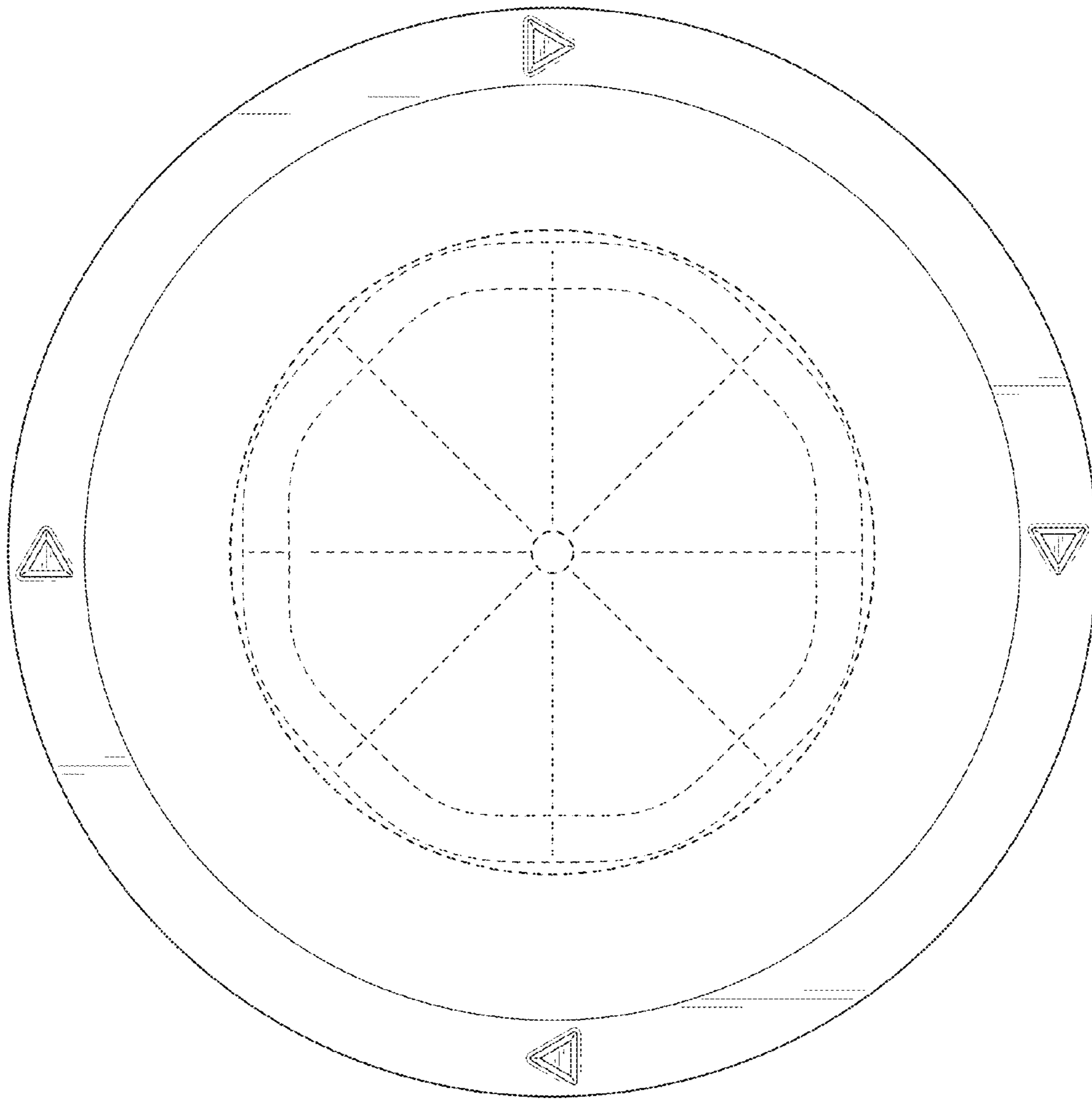


FIG. 6

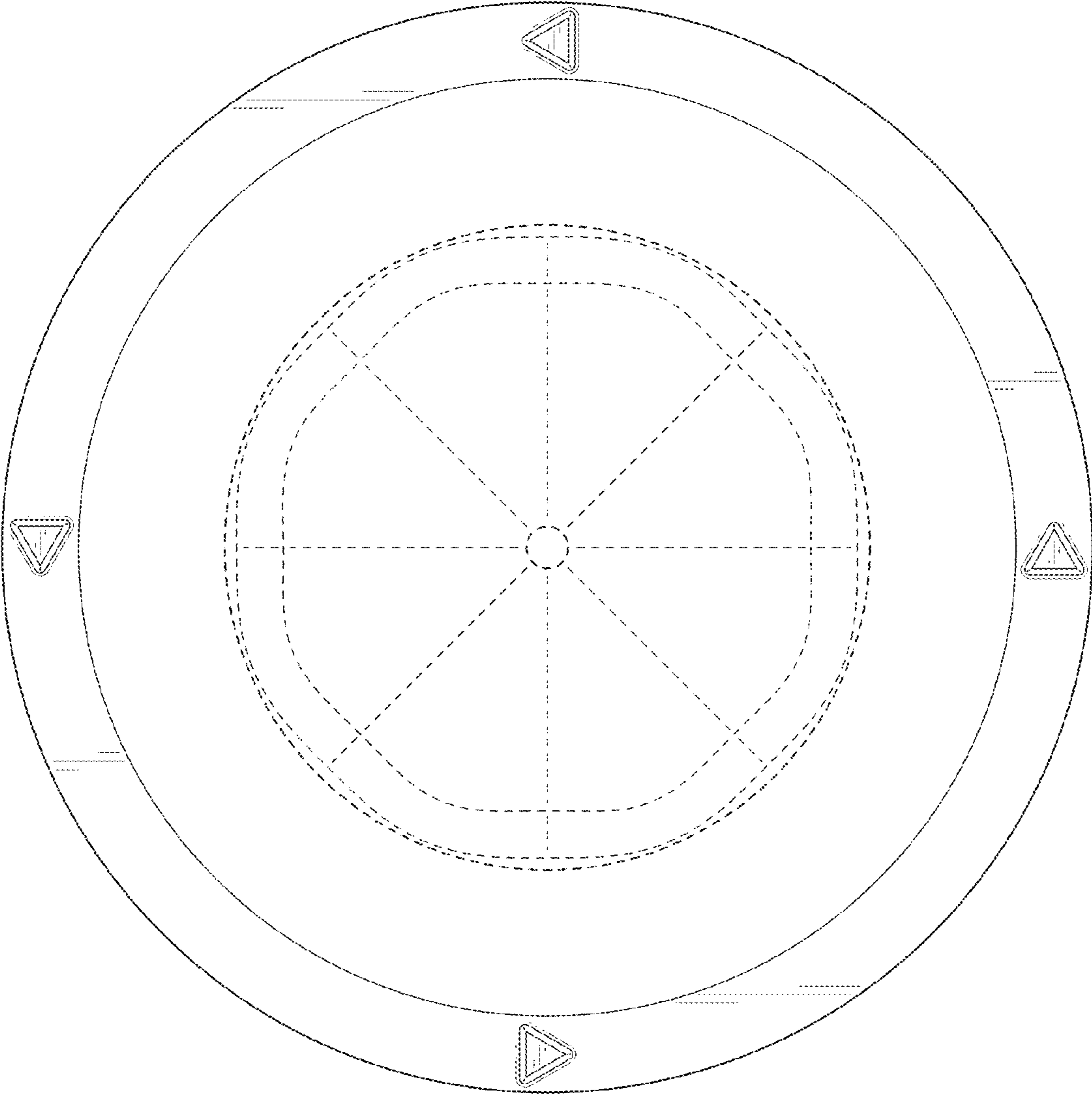


FIG. 7

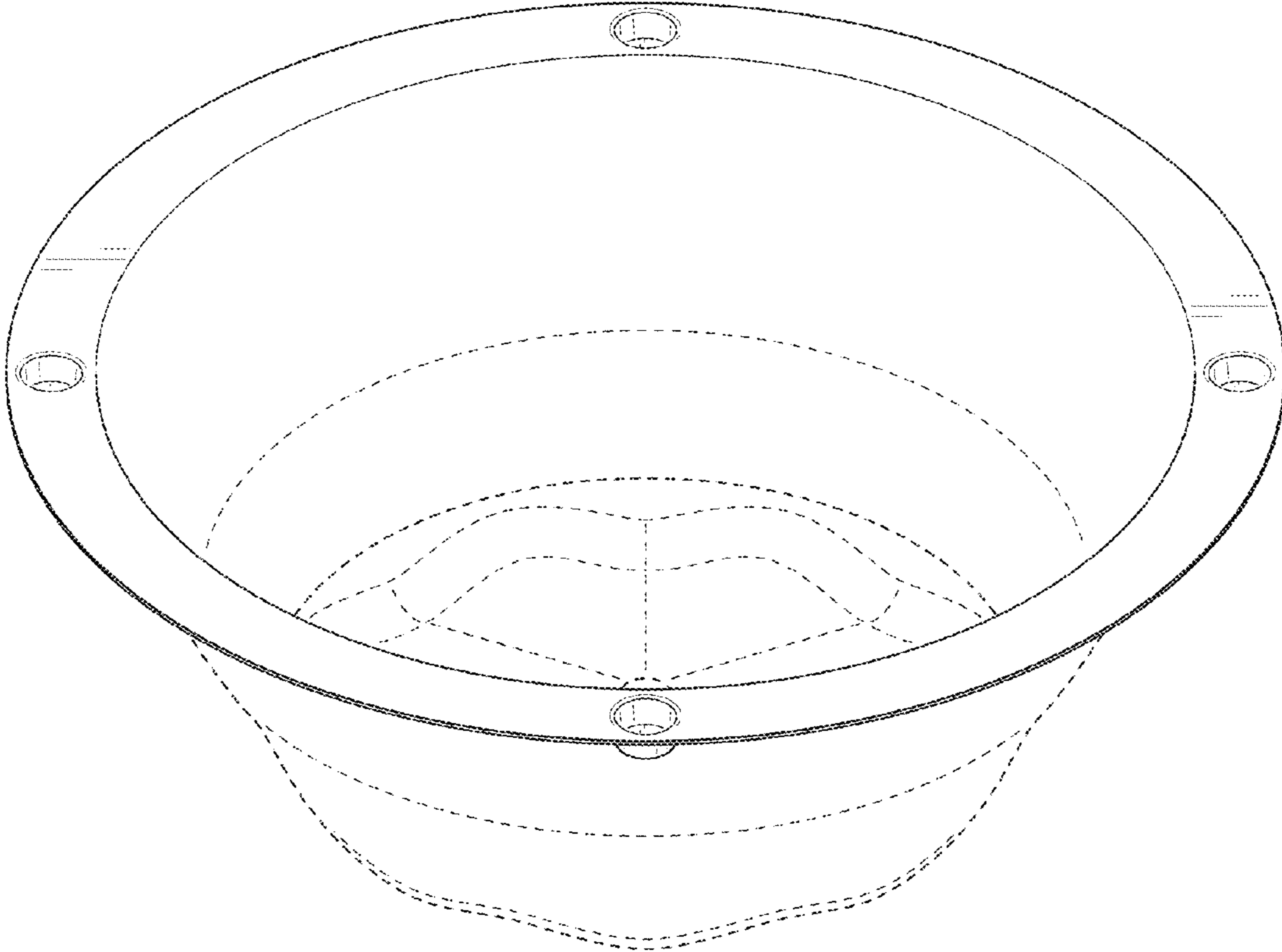


FIG. 8

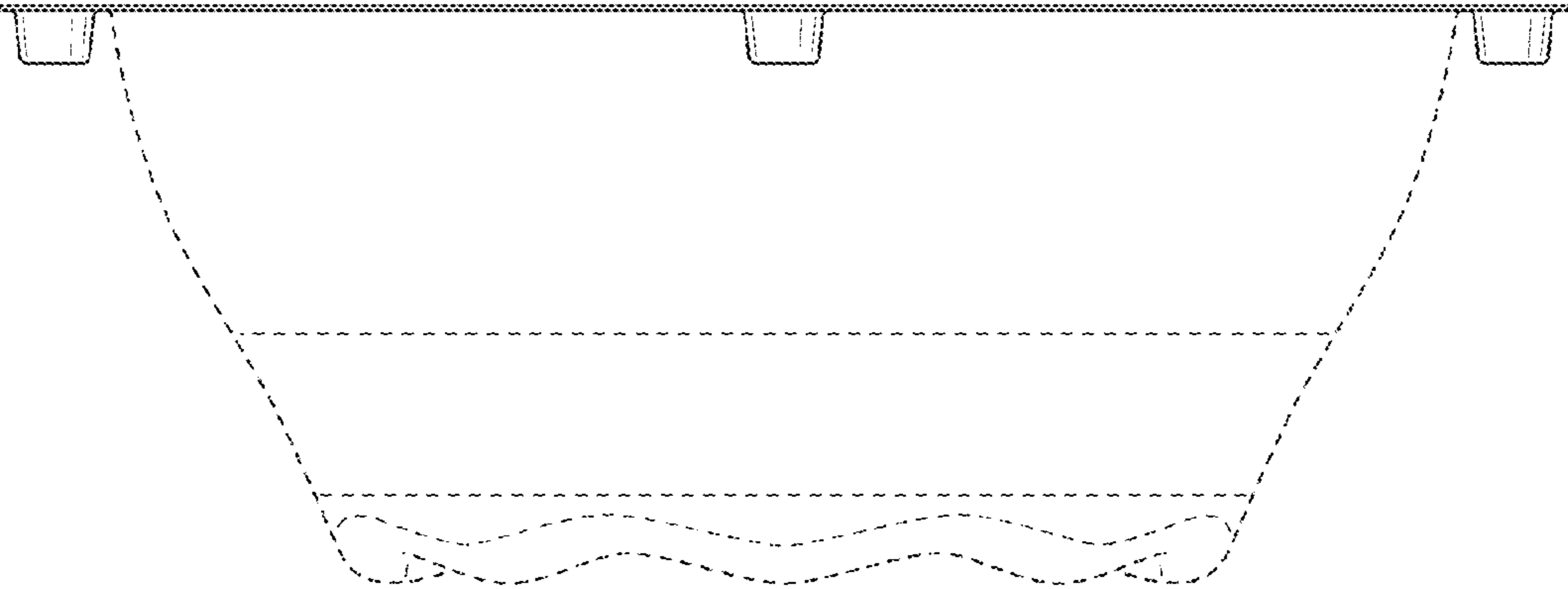


FIG. 9

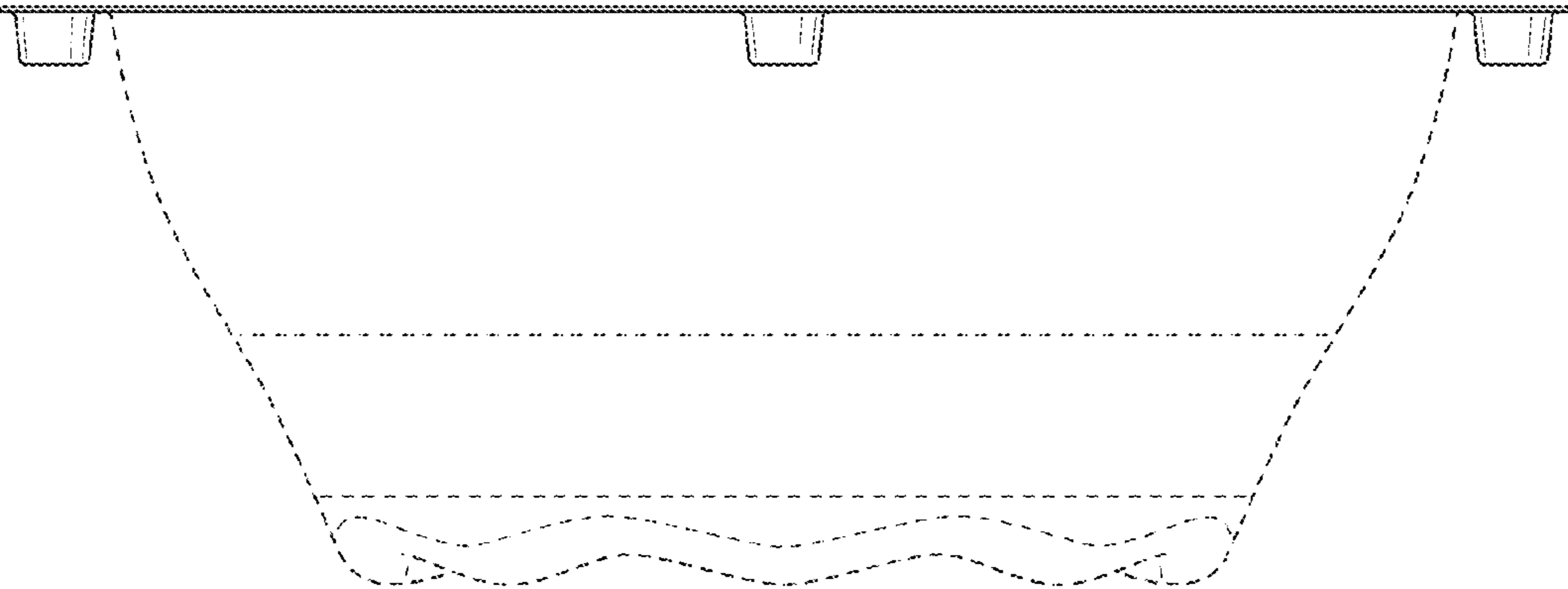


FIG. 10

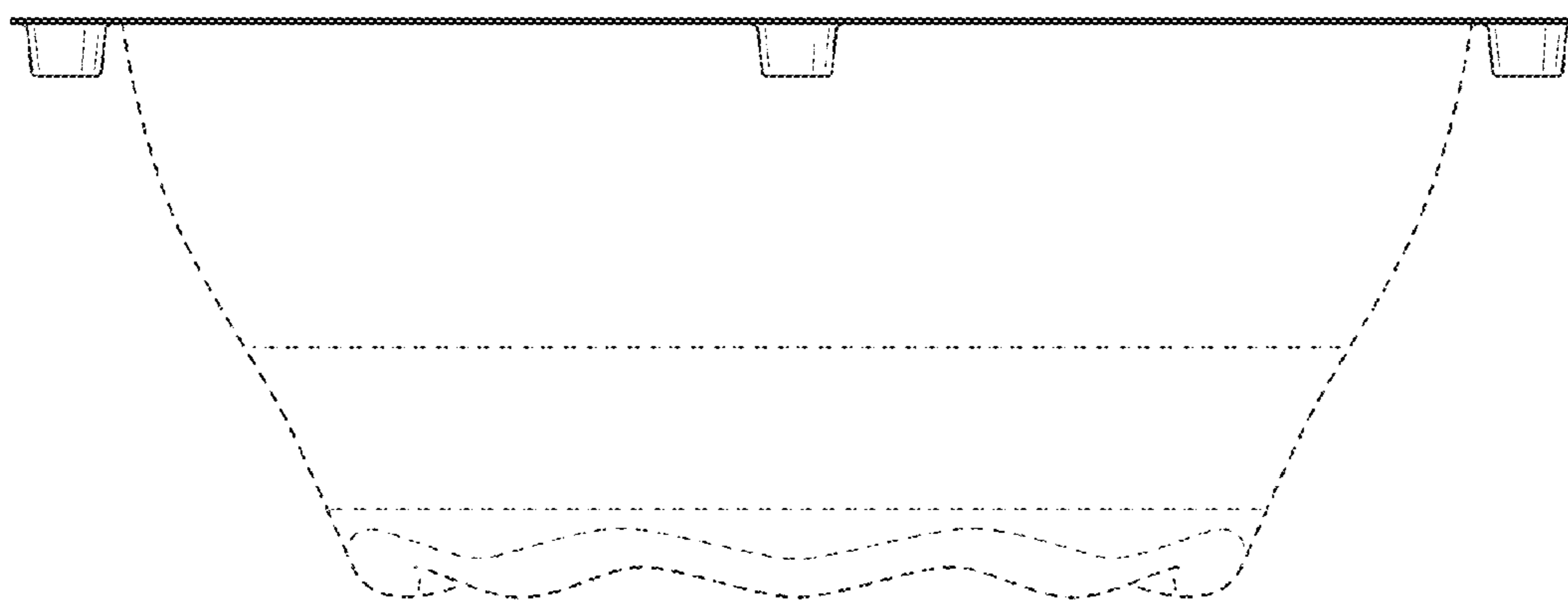


FIG. 11

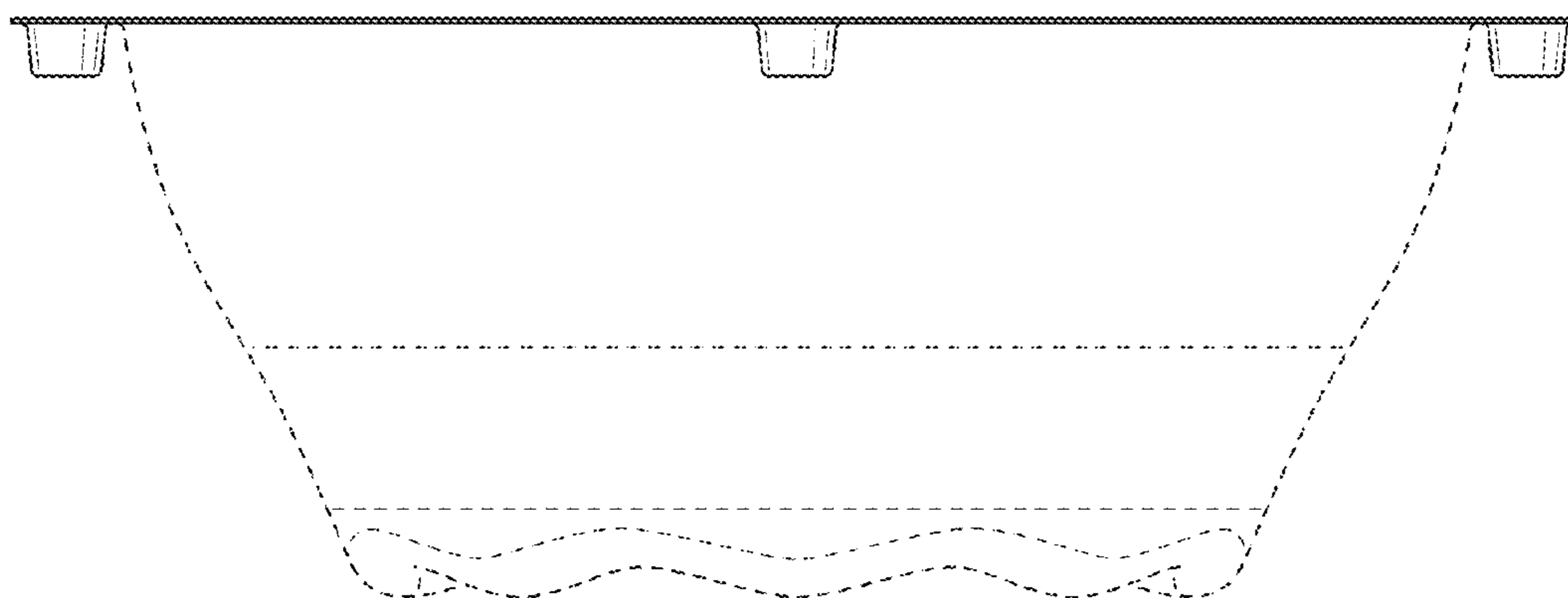


FIG. 12

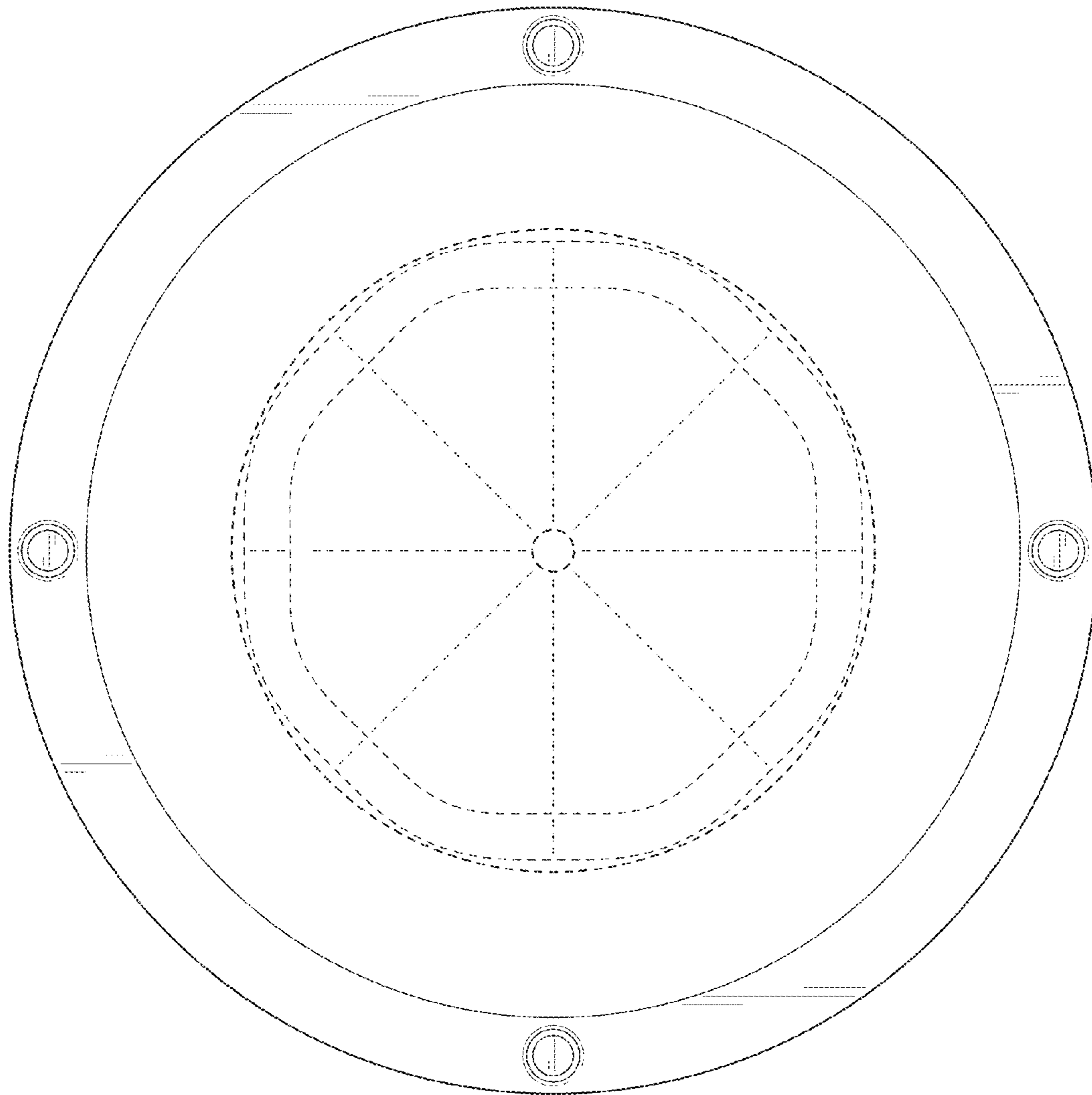


FIG. 13

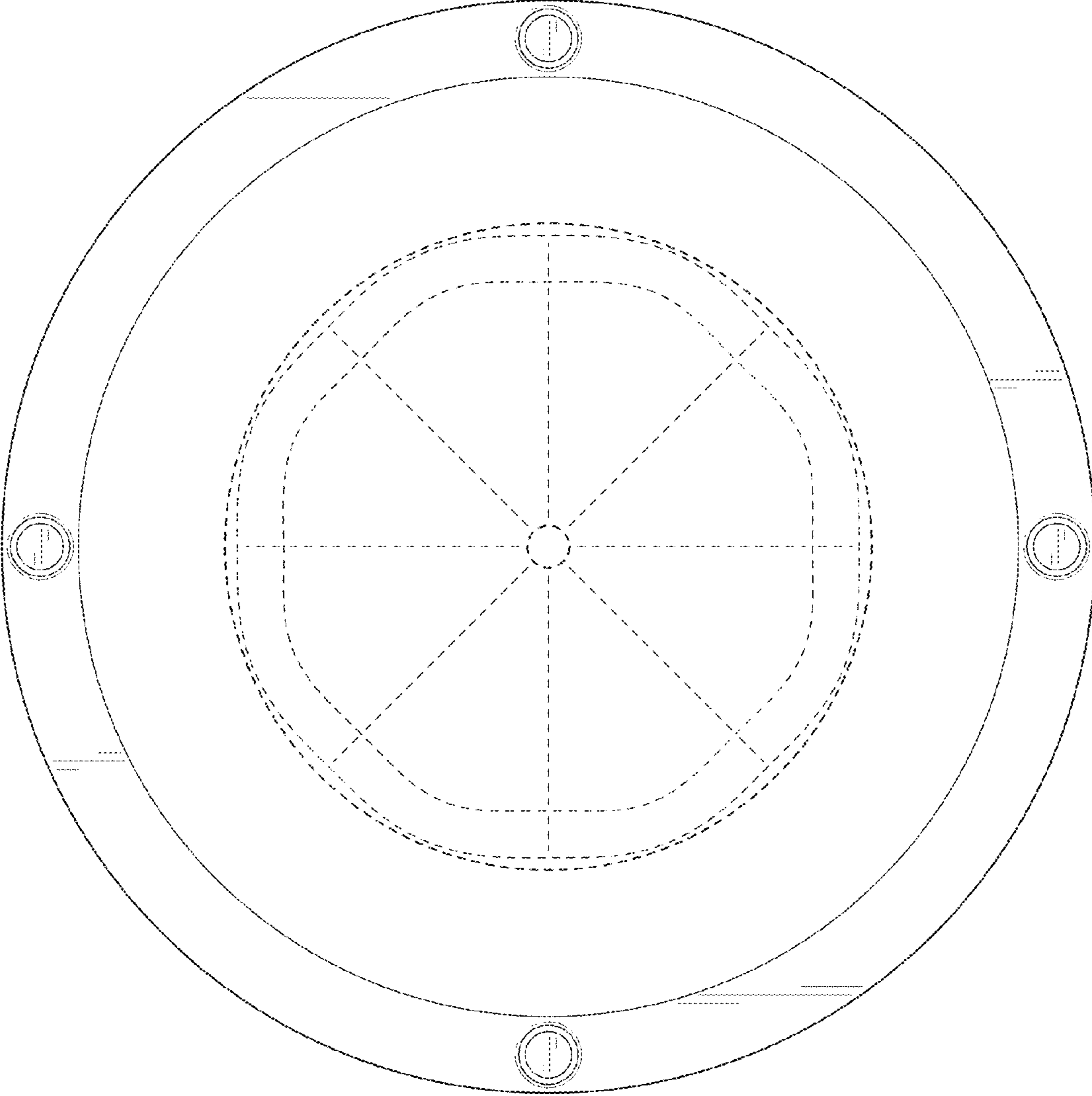


FIG. 14

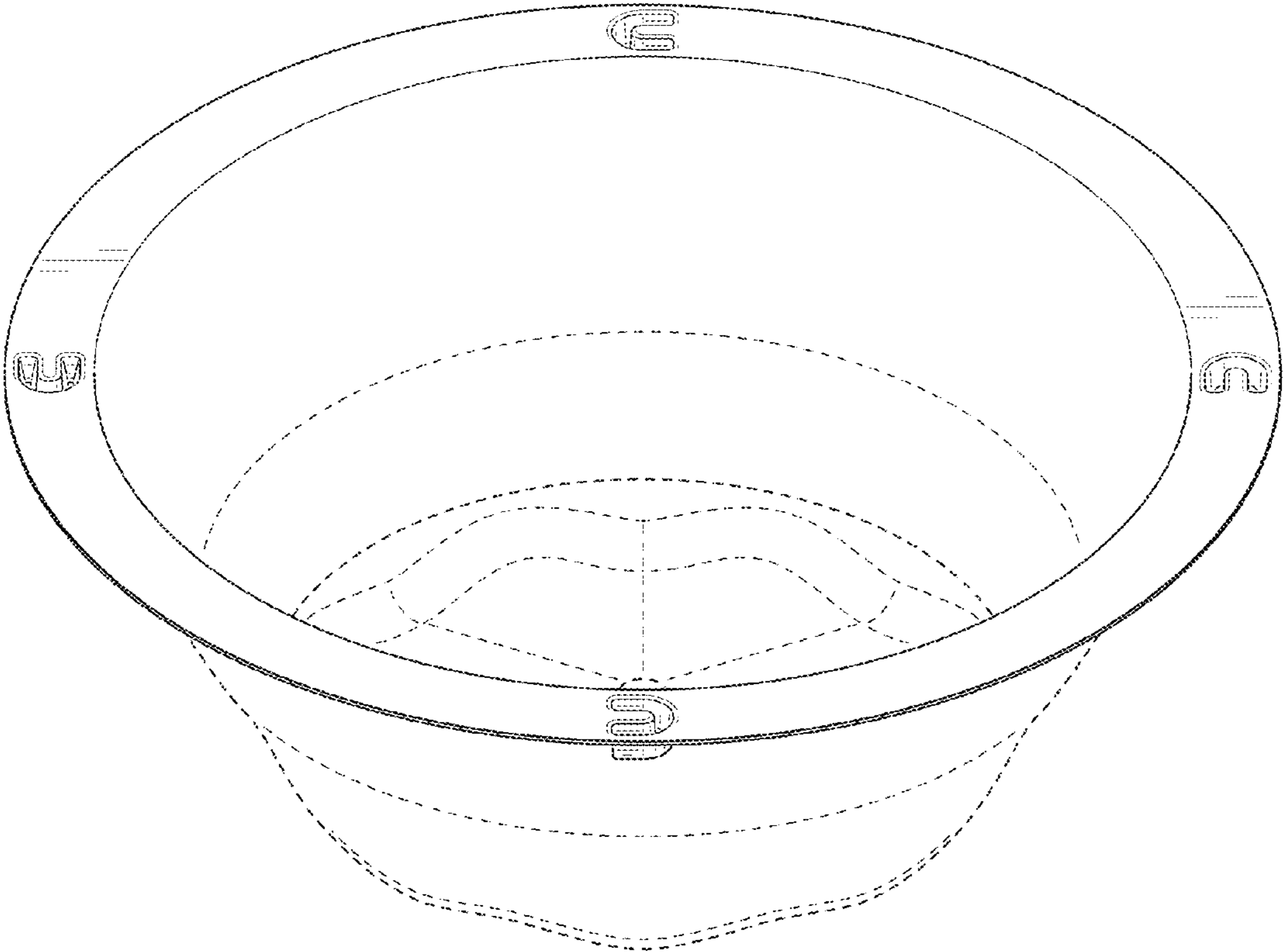


FIG. 15

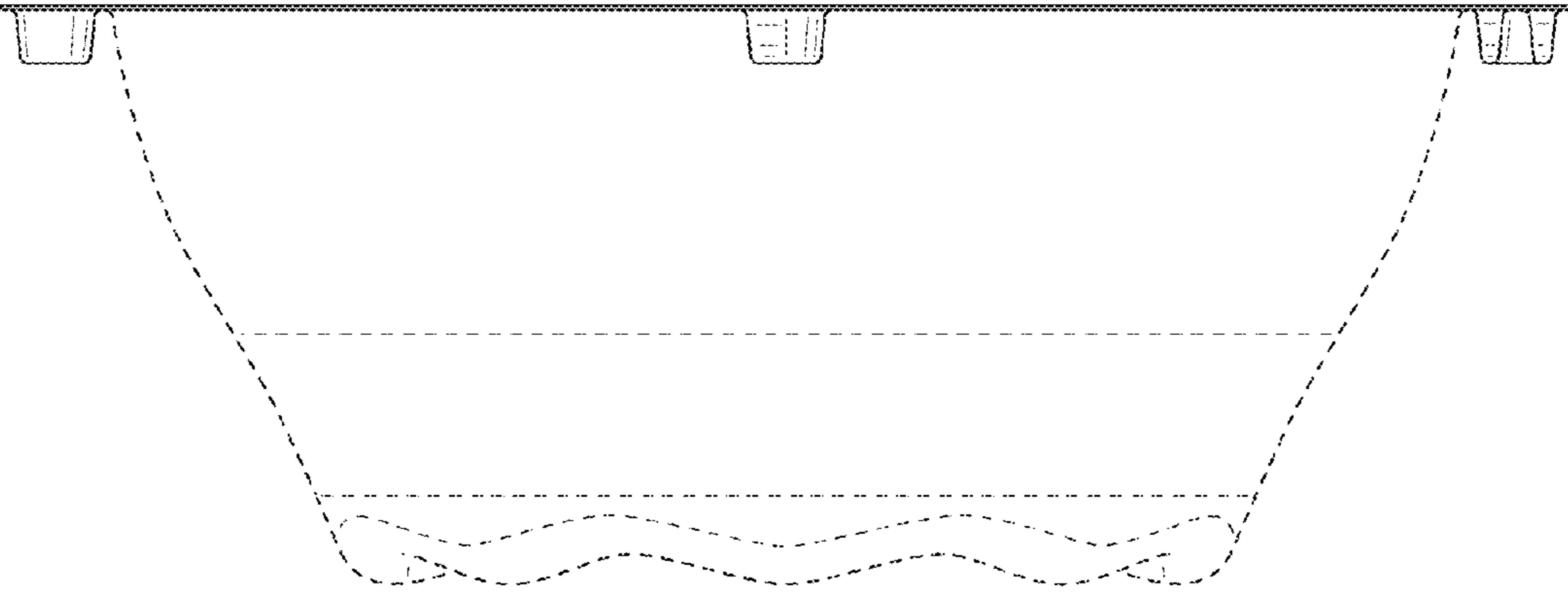


FIG. 16

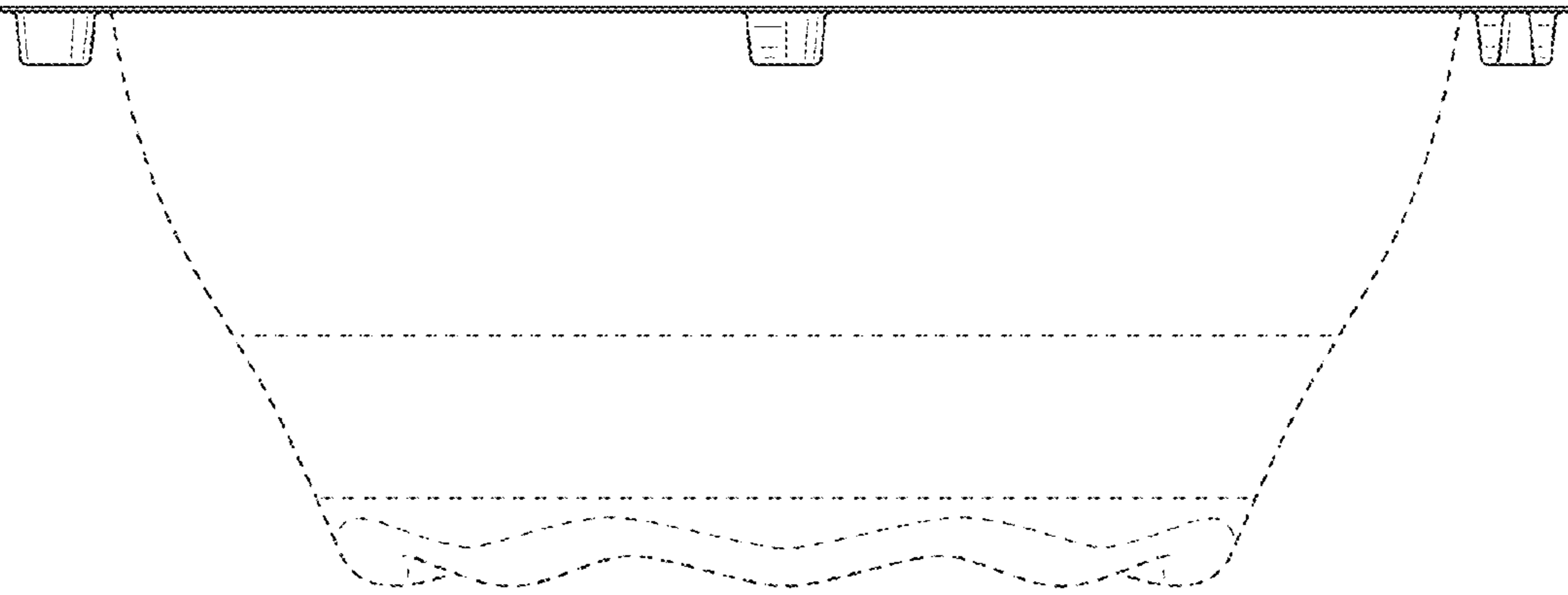


FIG. 17

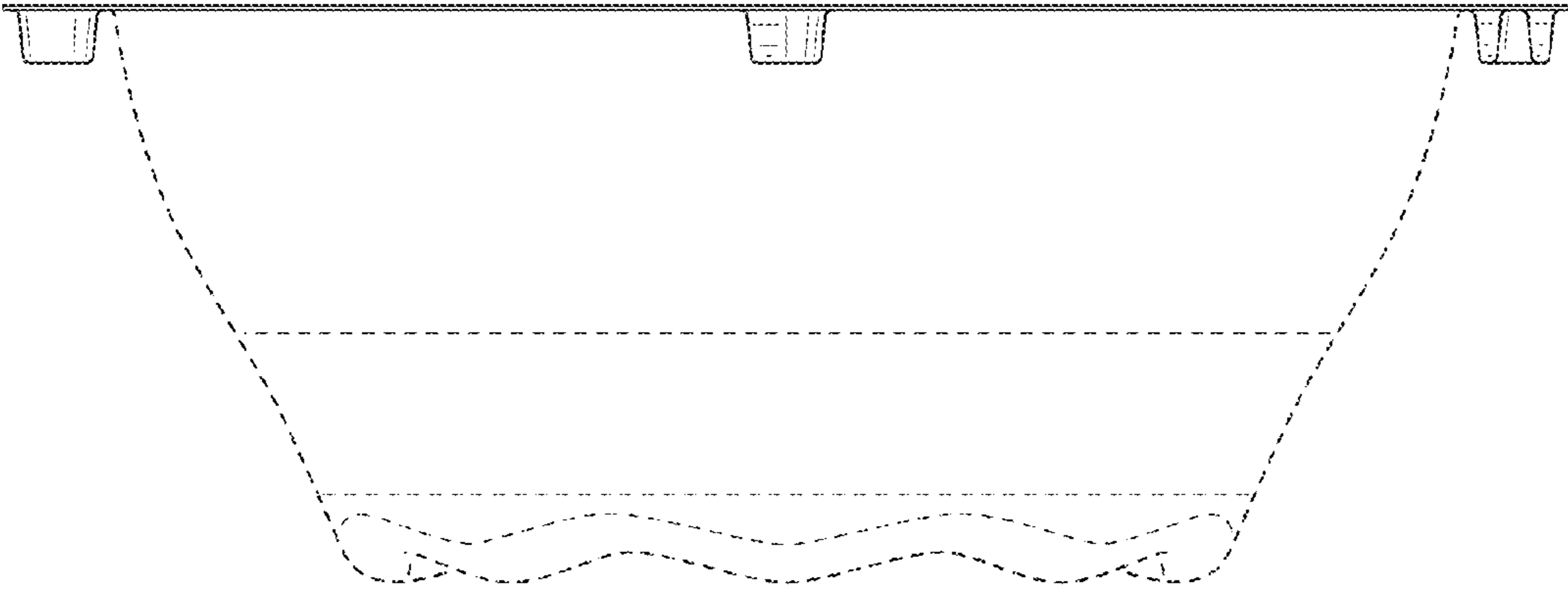


FIG. 18

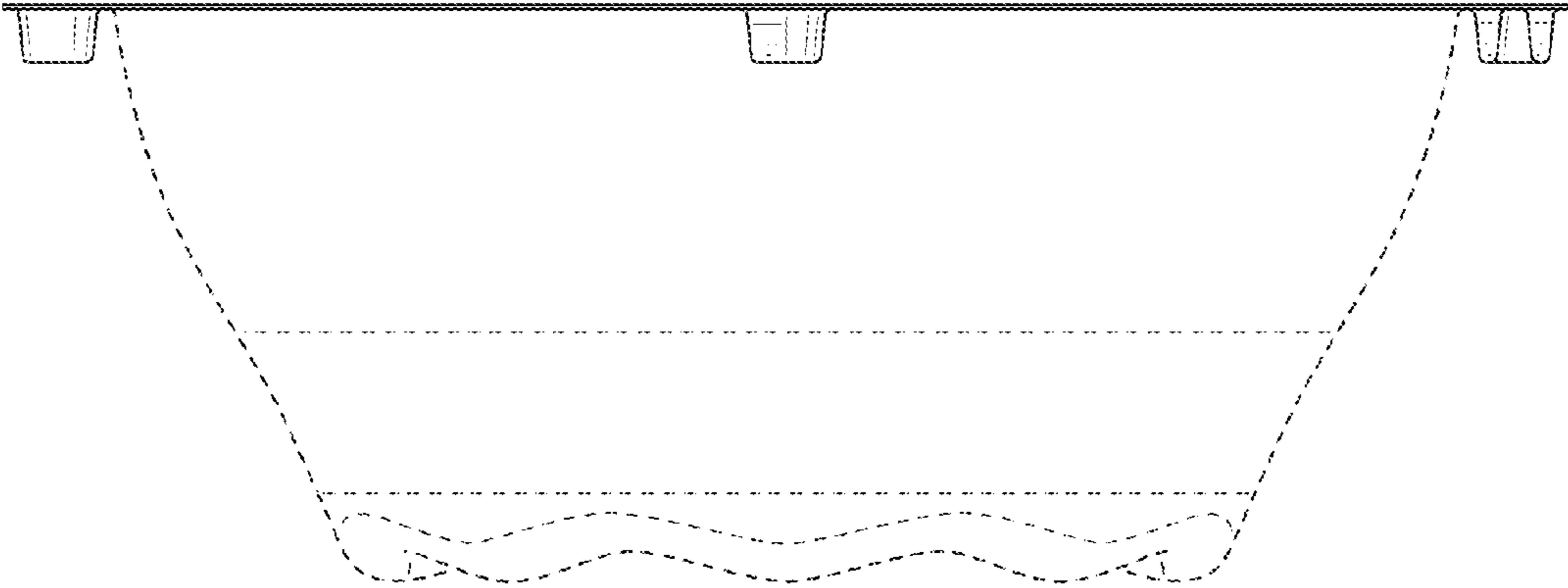


FIG. 19

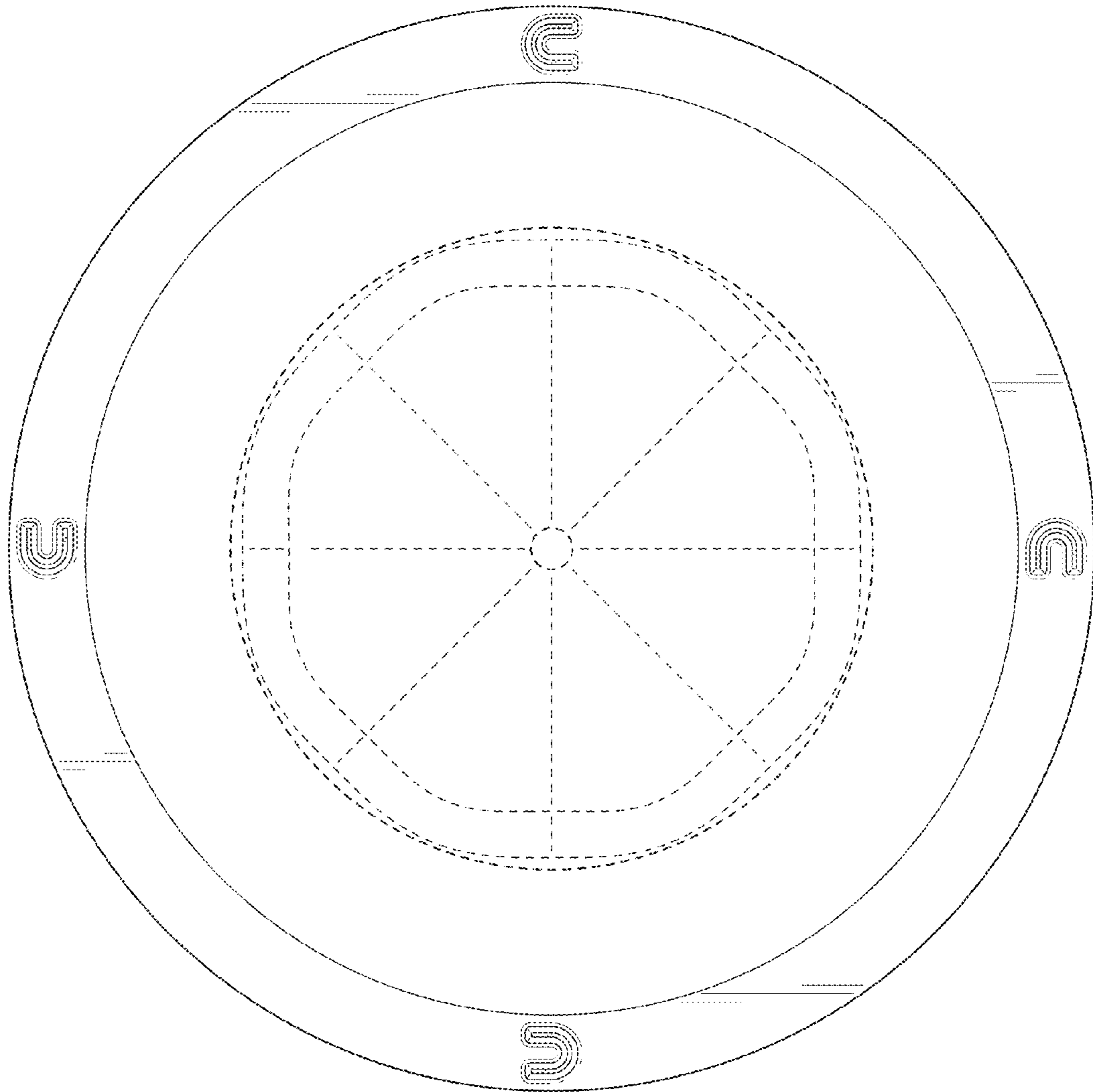


FIG. 20

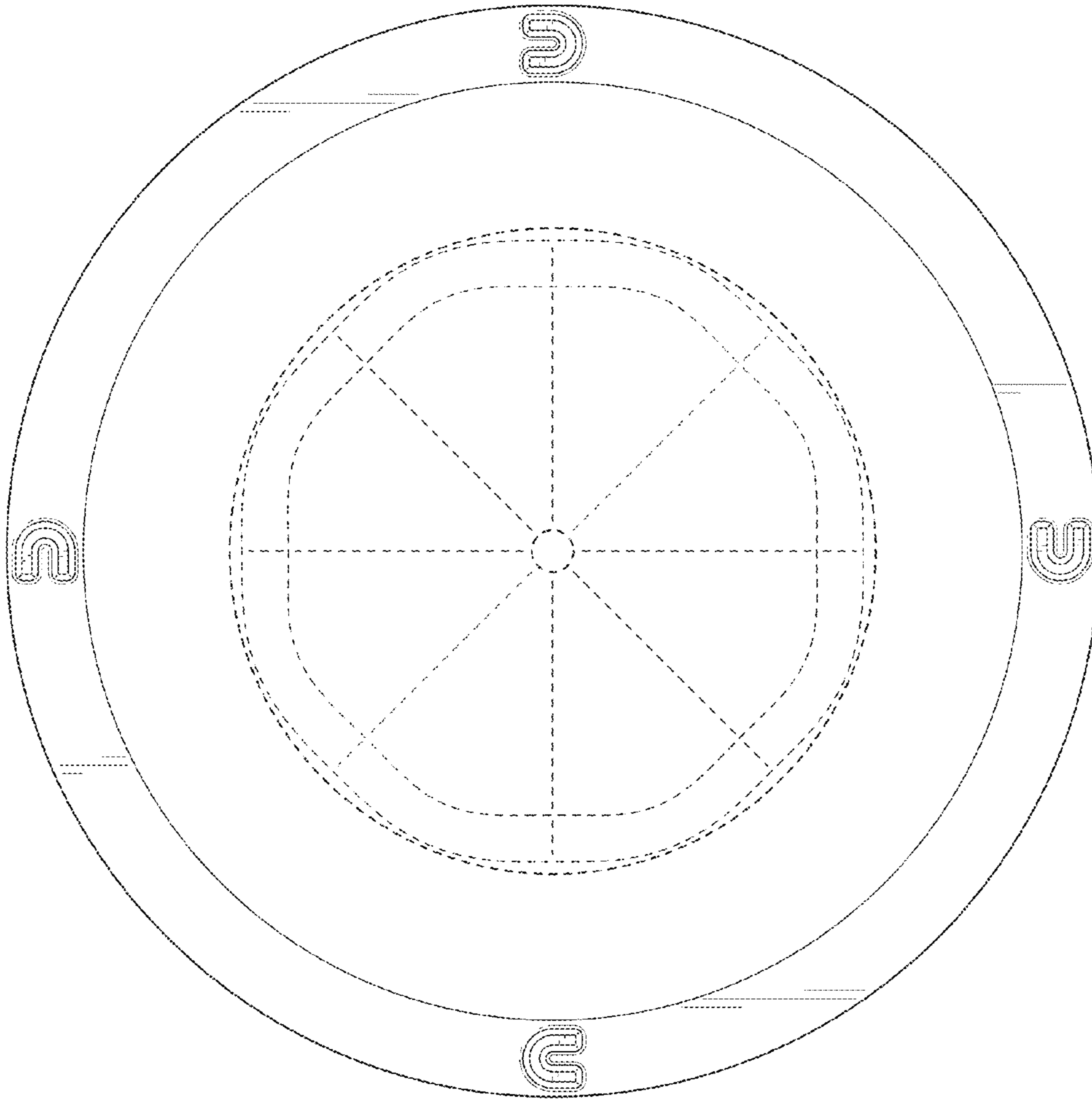


FIG. 21

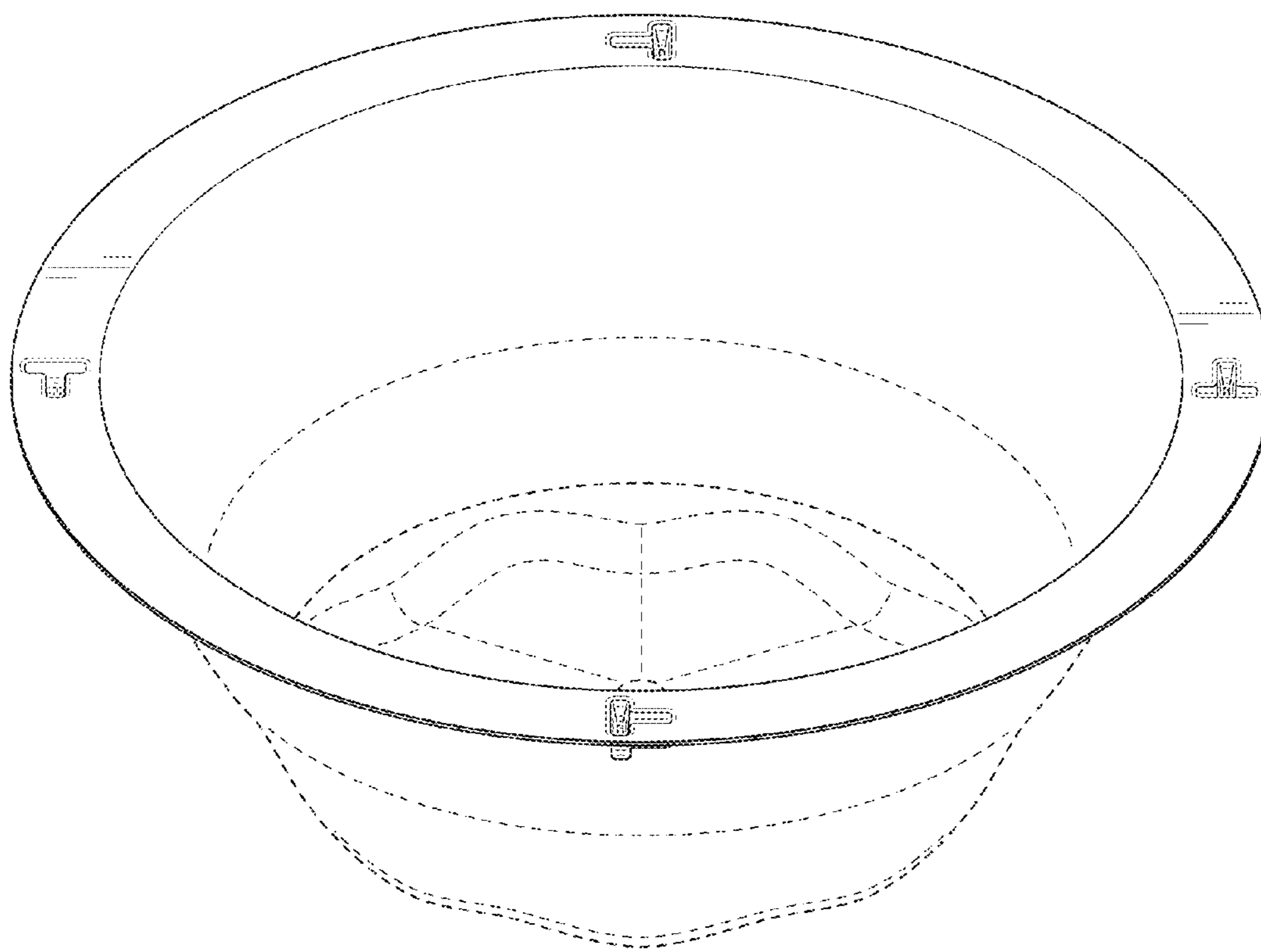


FIG. 22

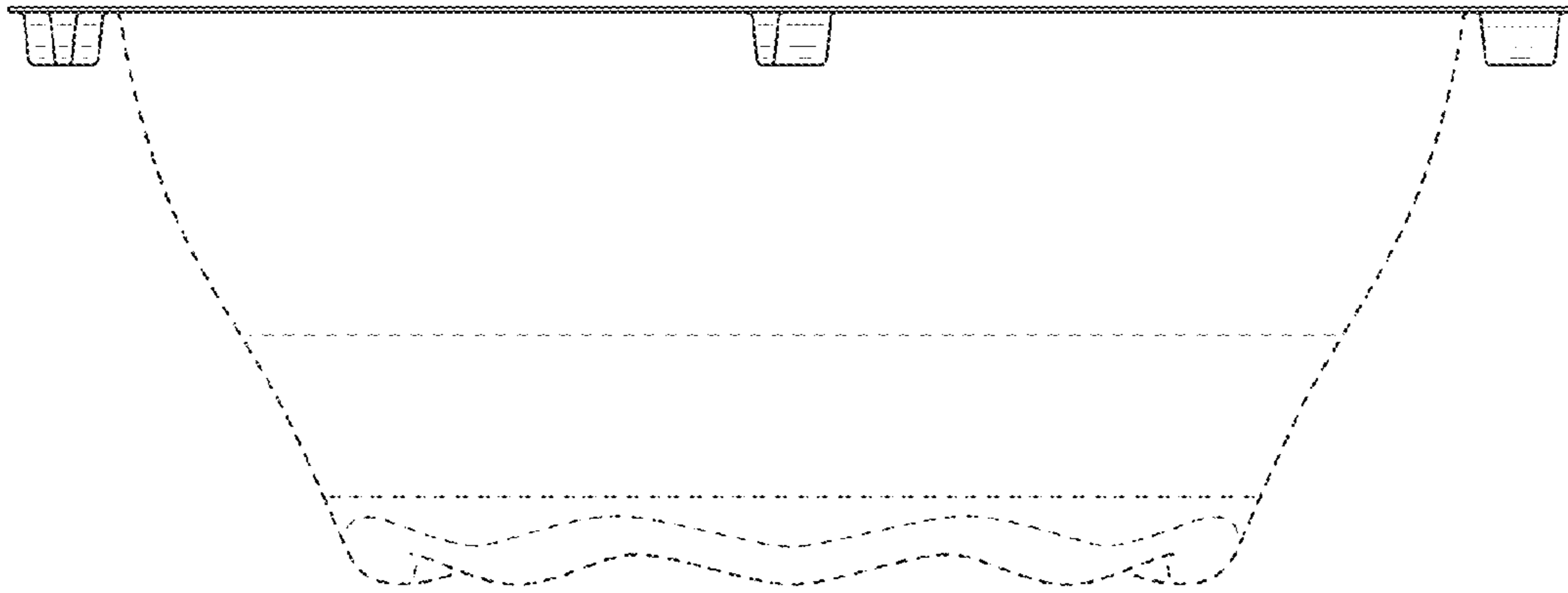


FIG. 23

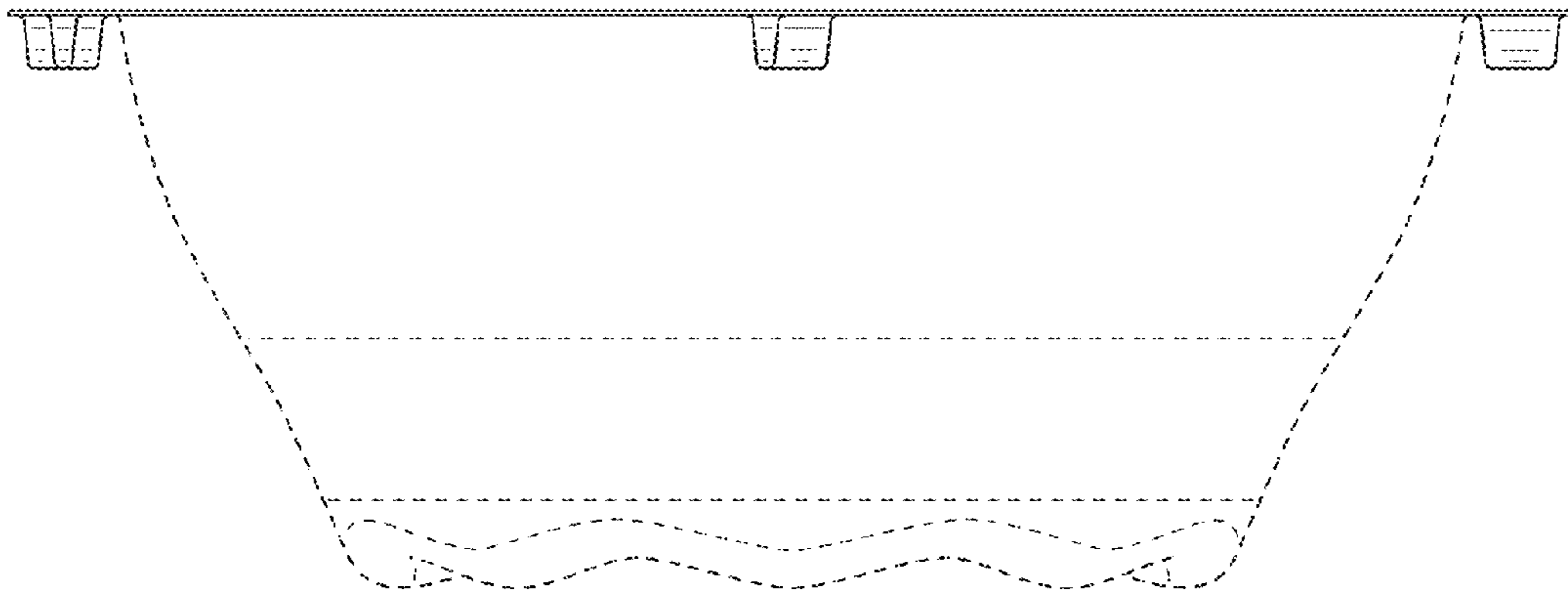


FIG. 24

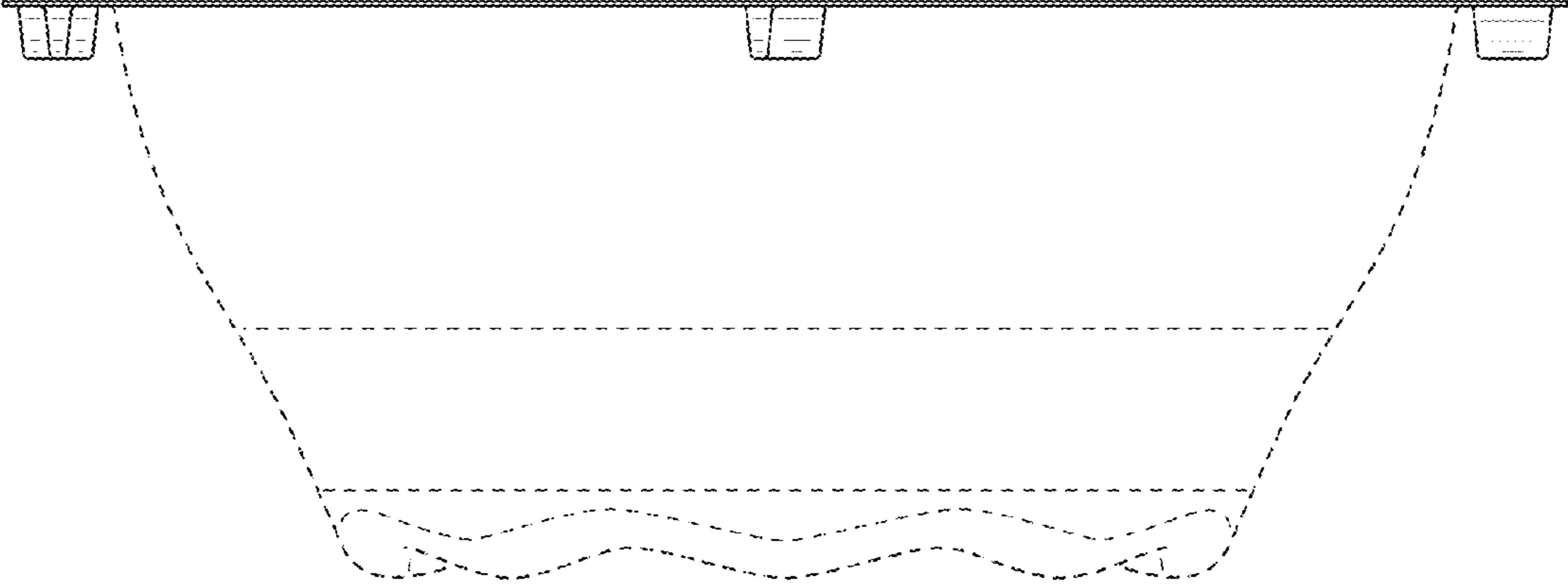


FIG. 25

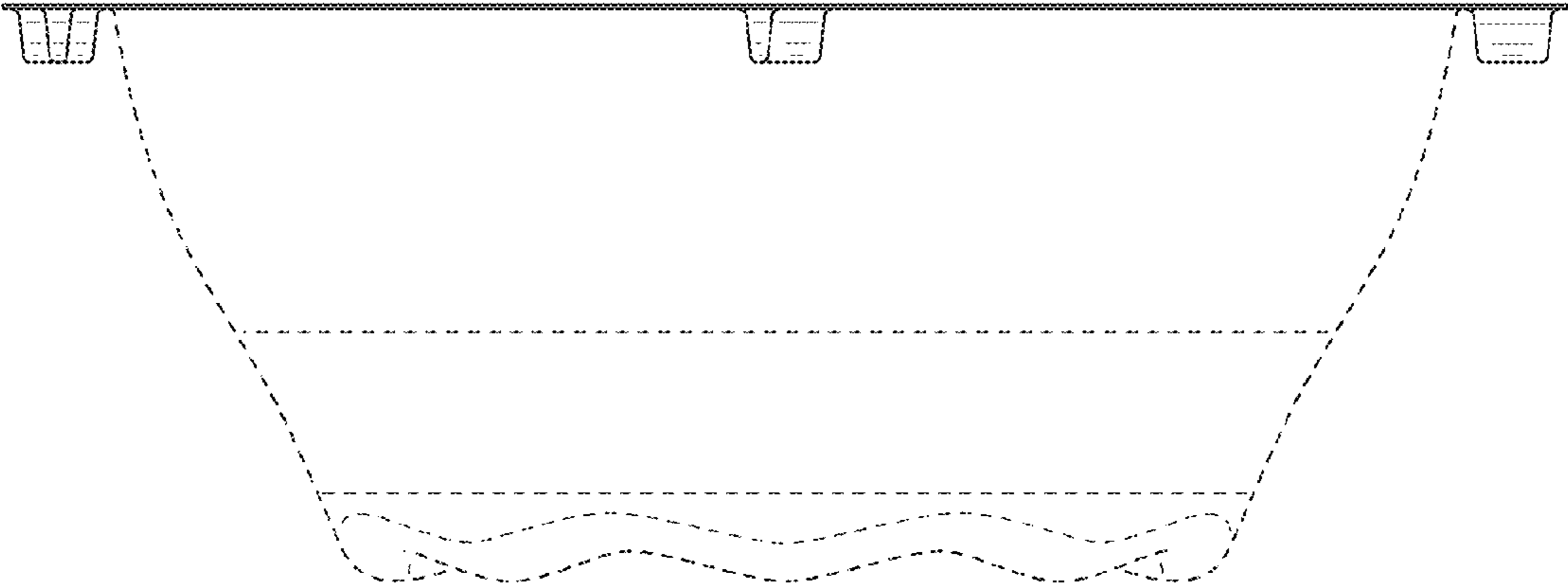


FIG. 26

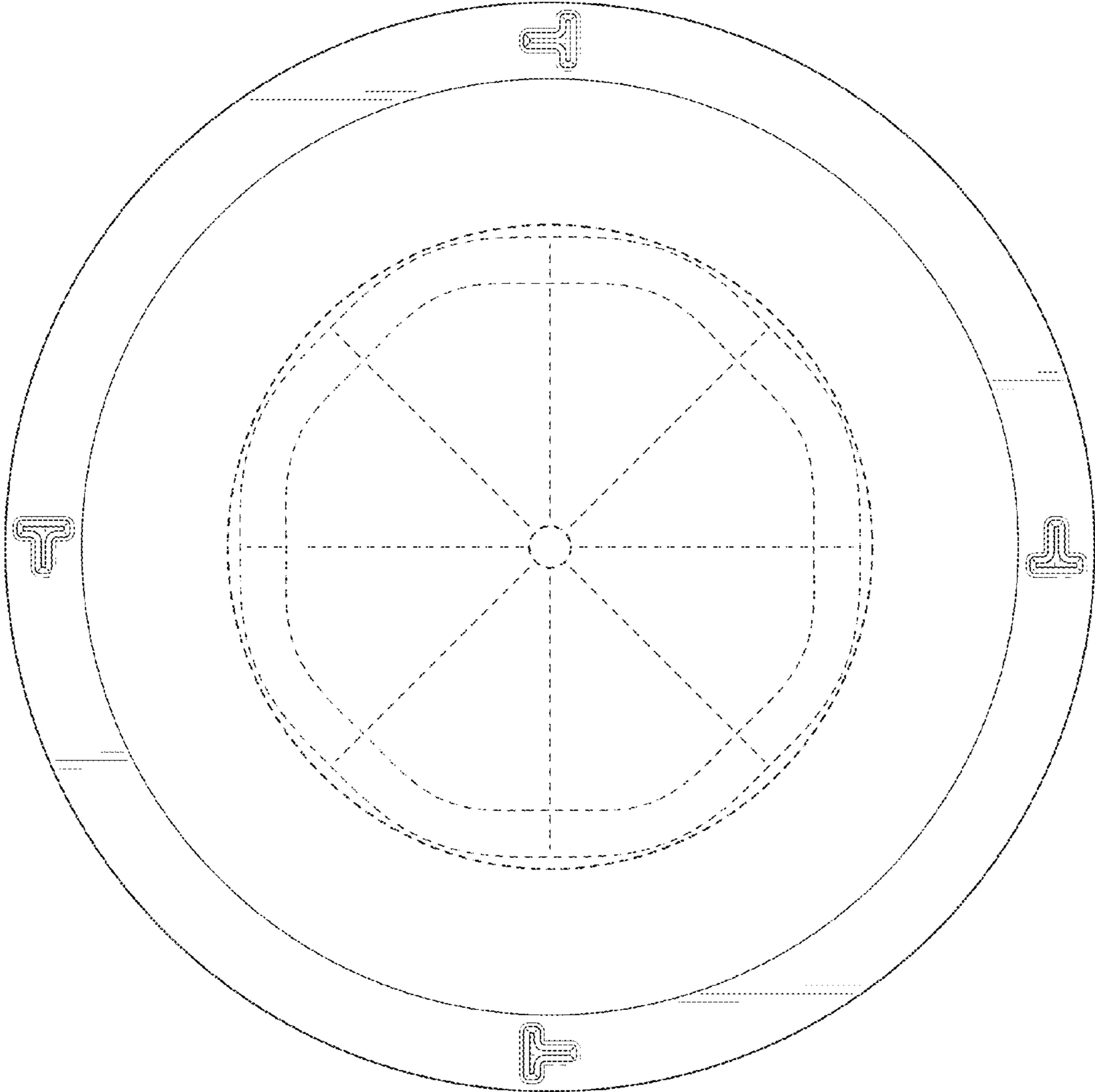


FIG. 27

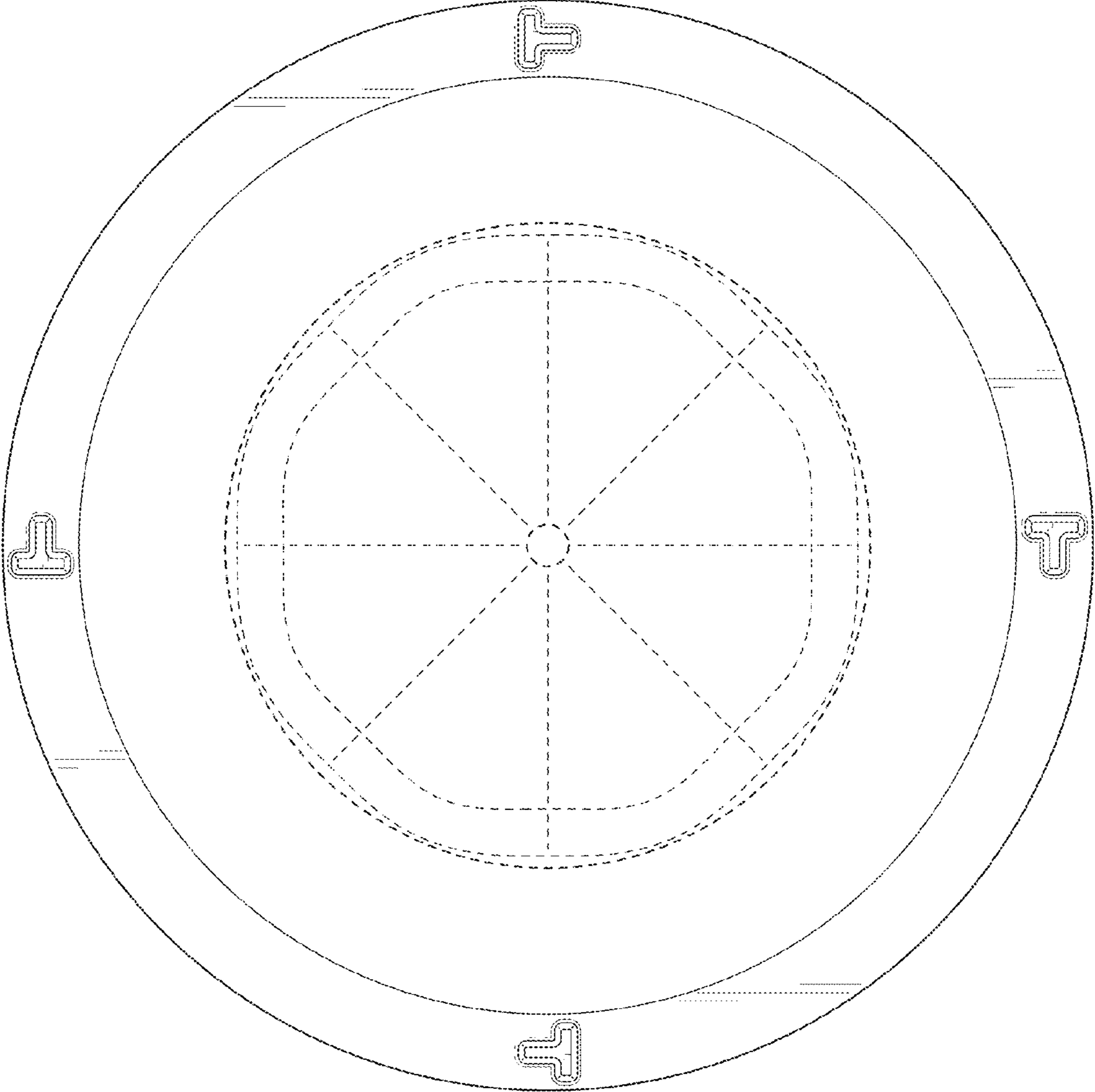


FIG. 28

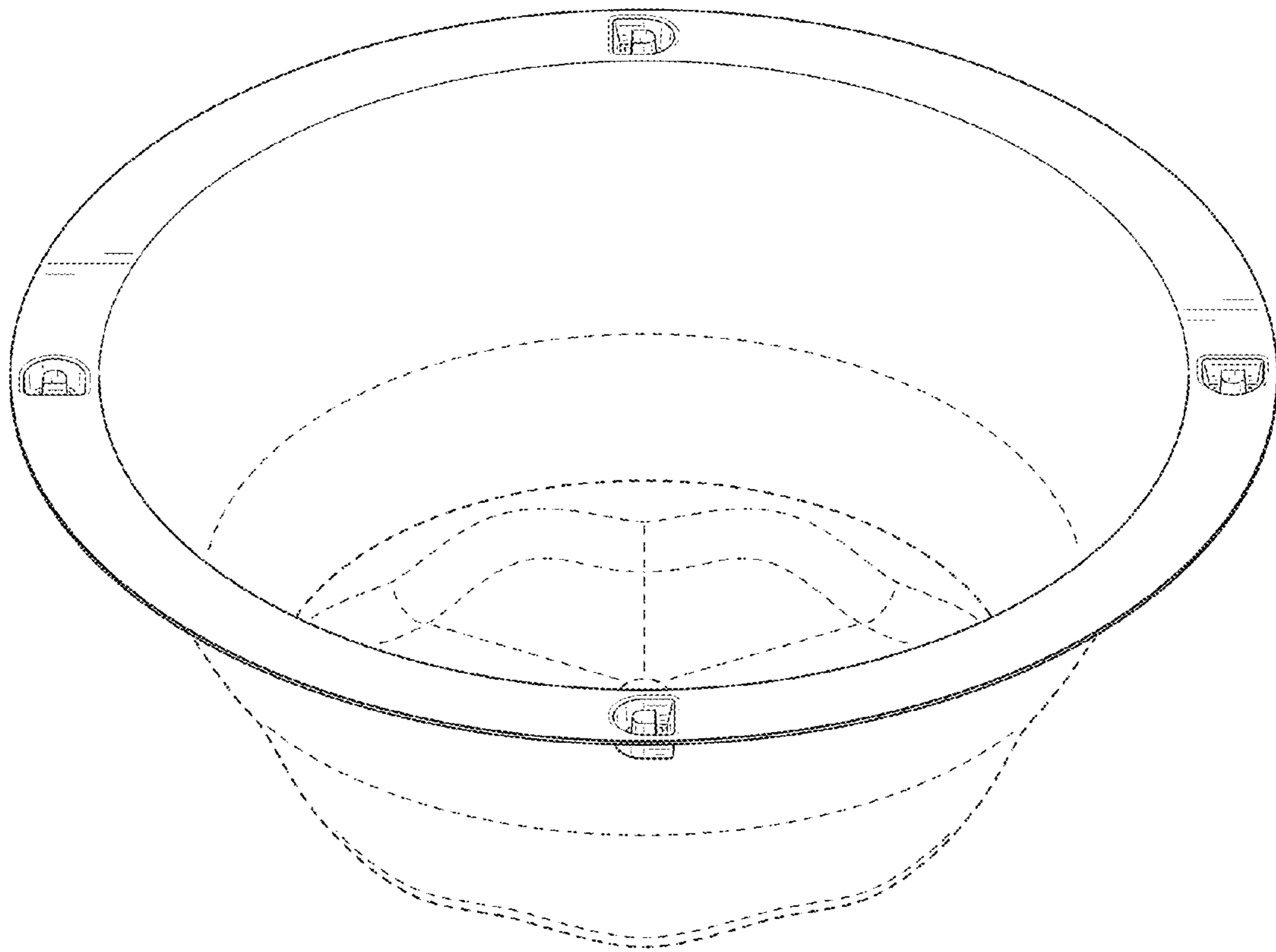


FIG. 29

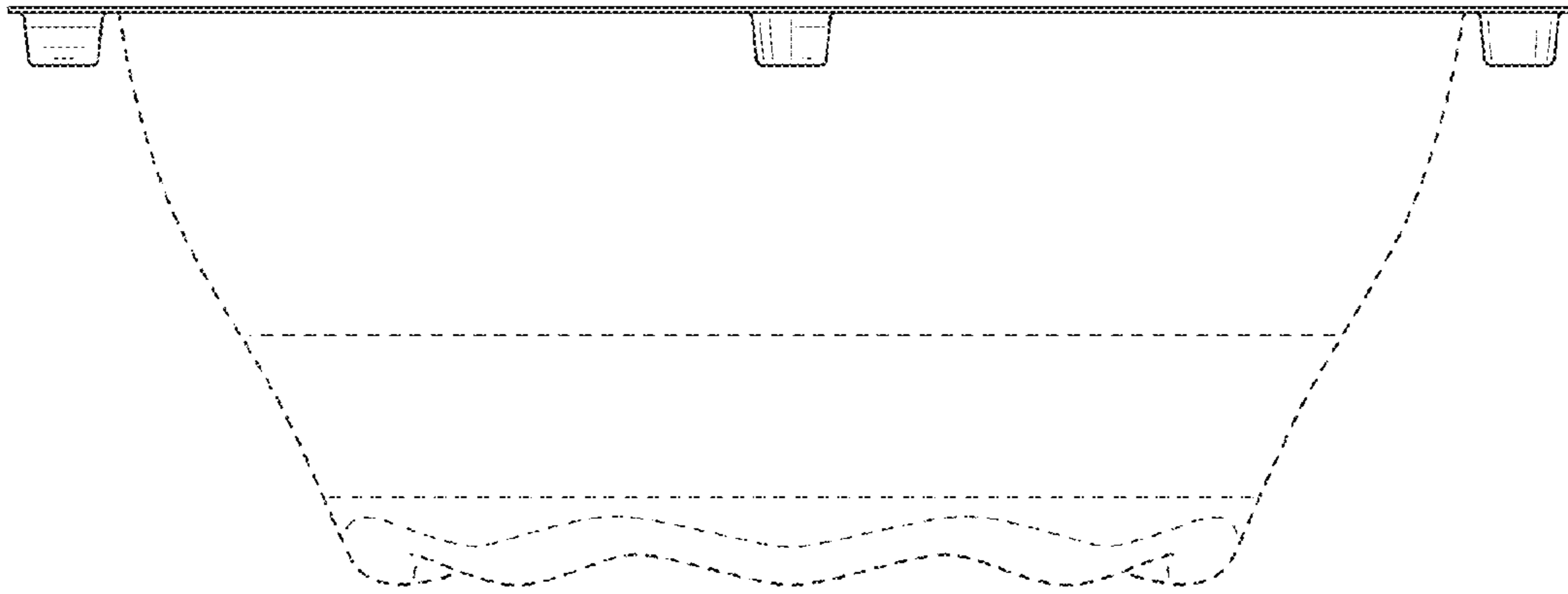


FIG. 30

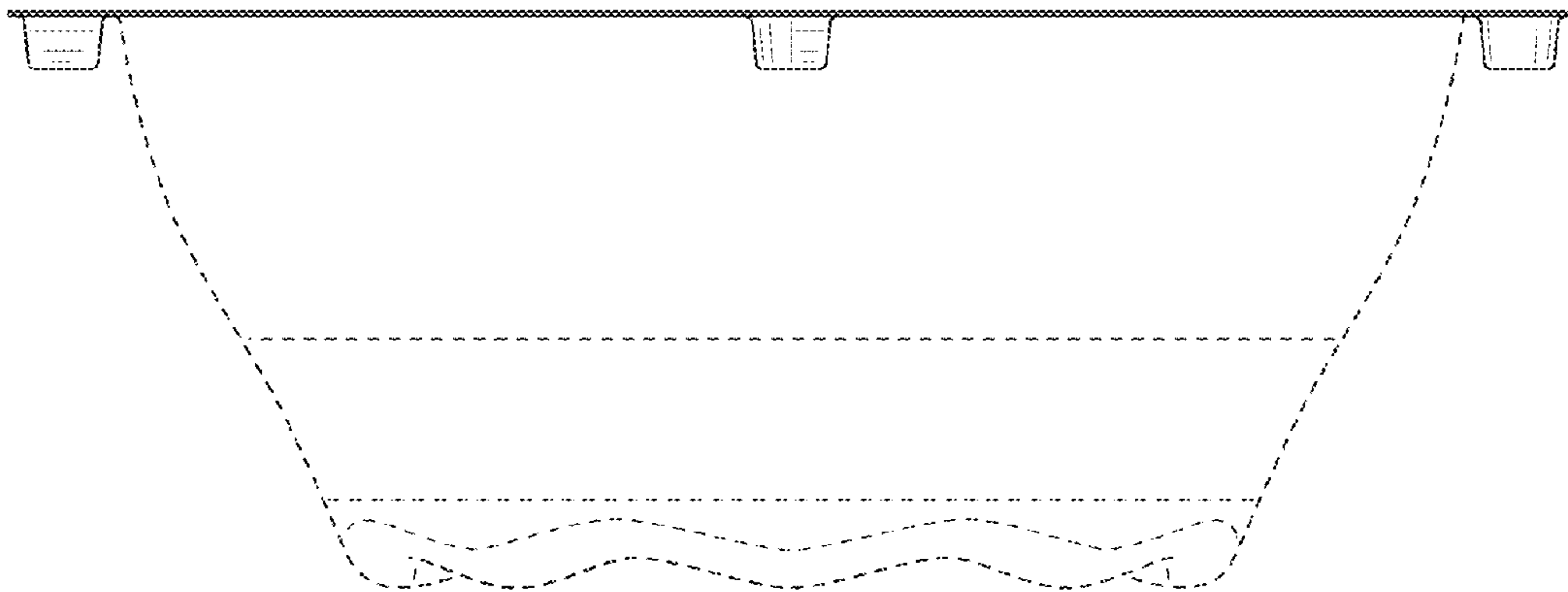


FIG. 31

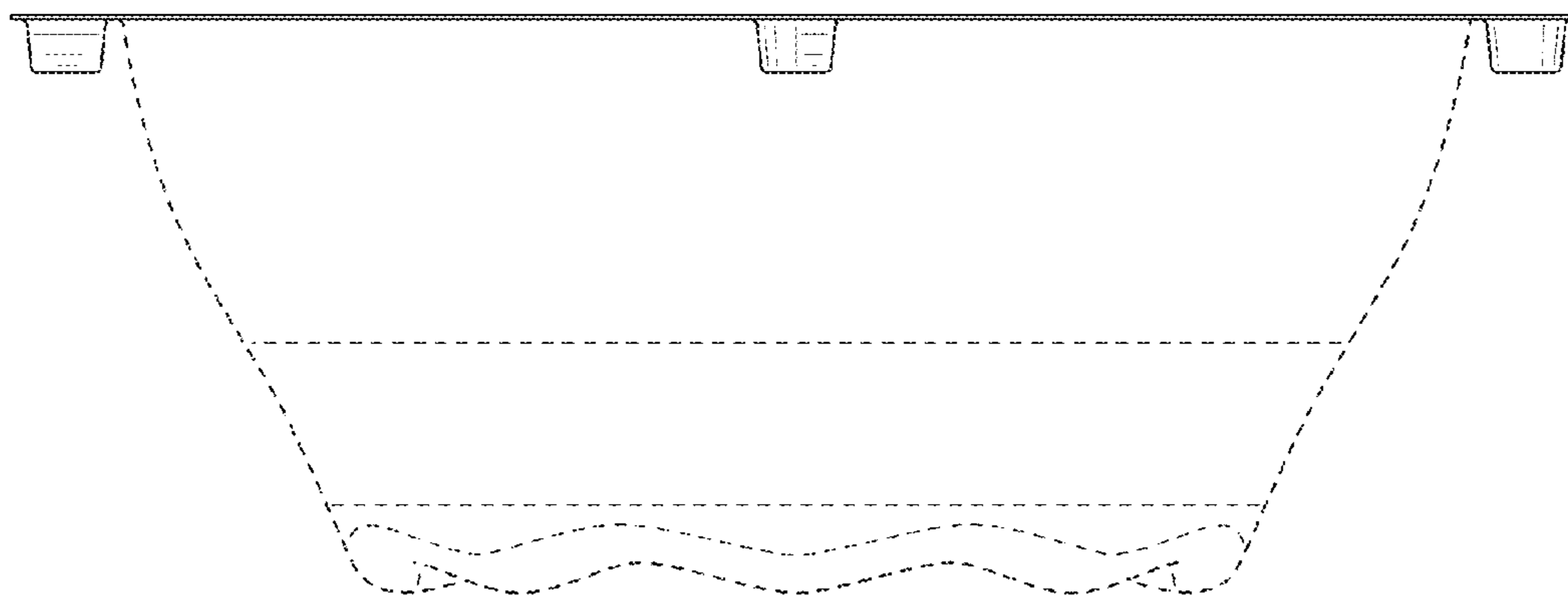


FIG. 32

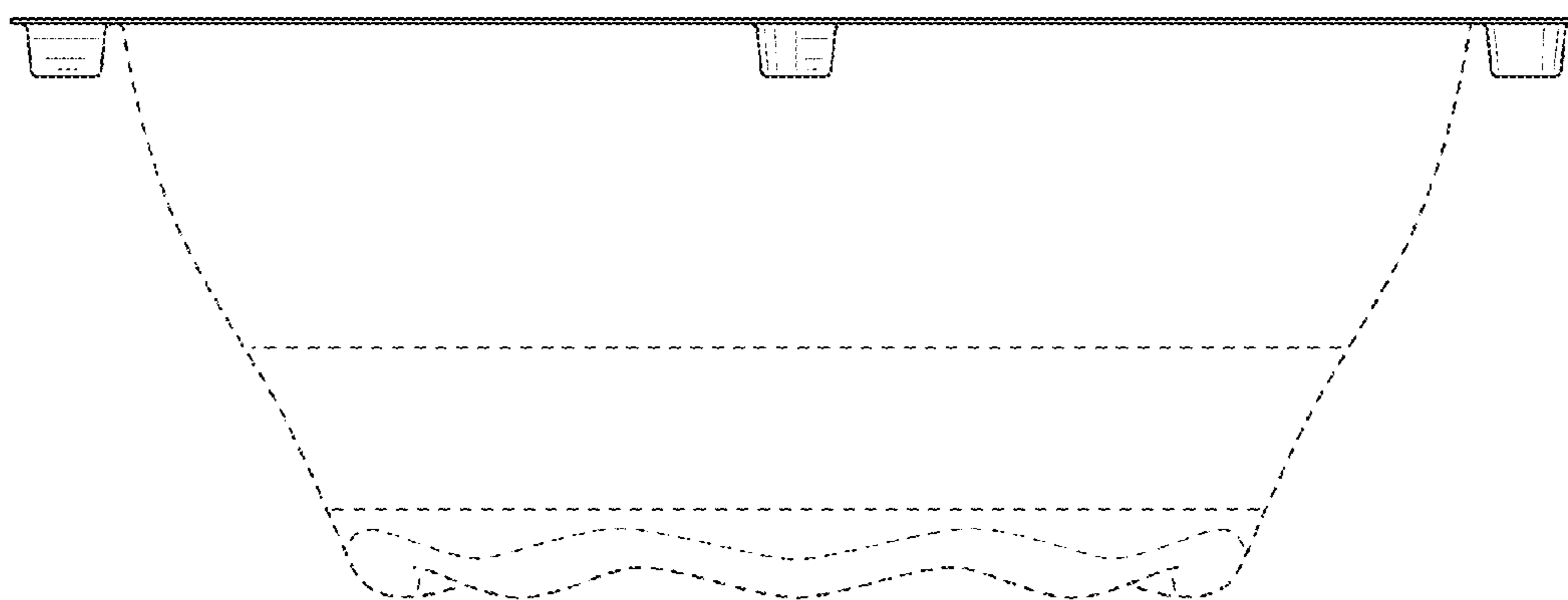


FIG. 33

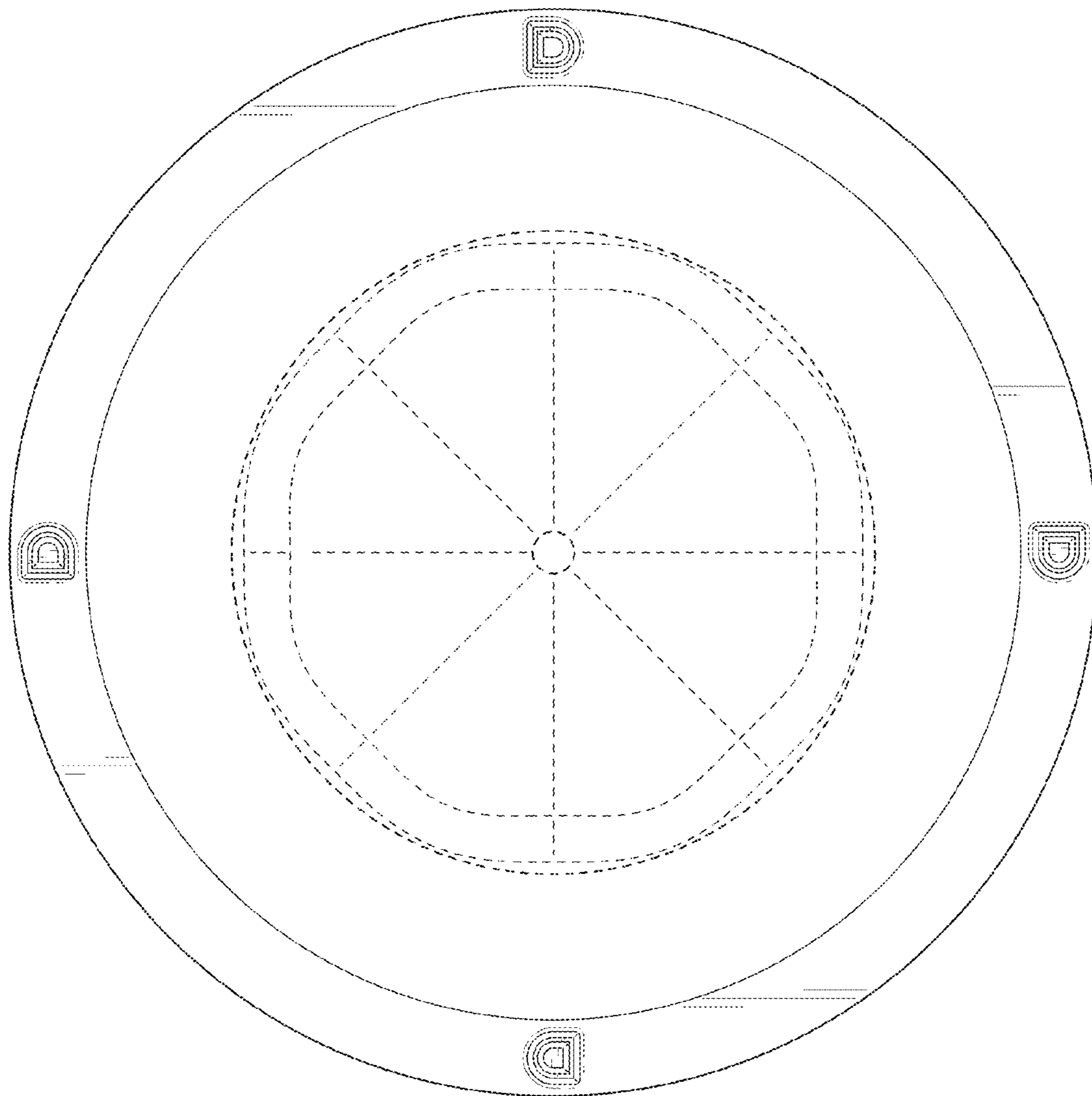


FIG. 34

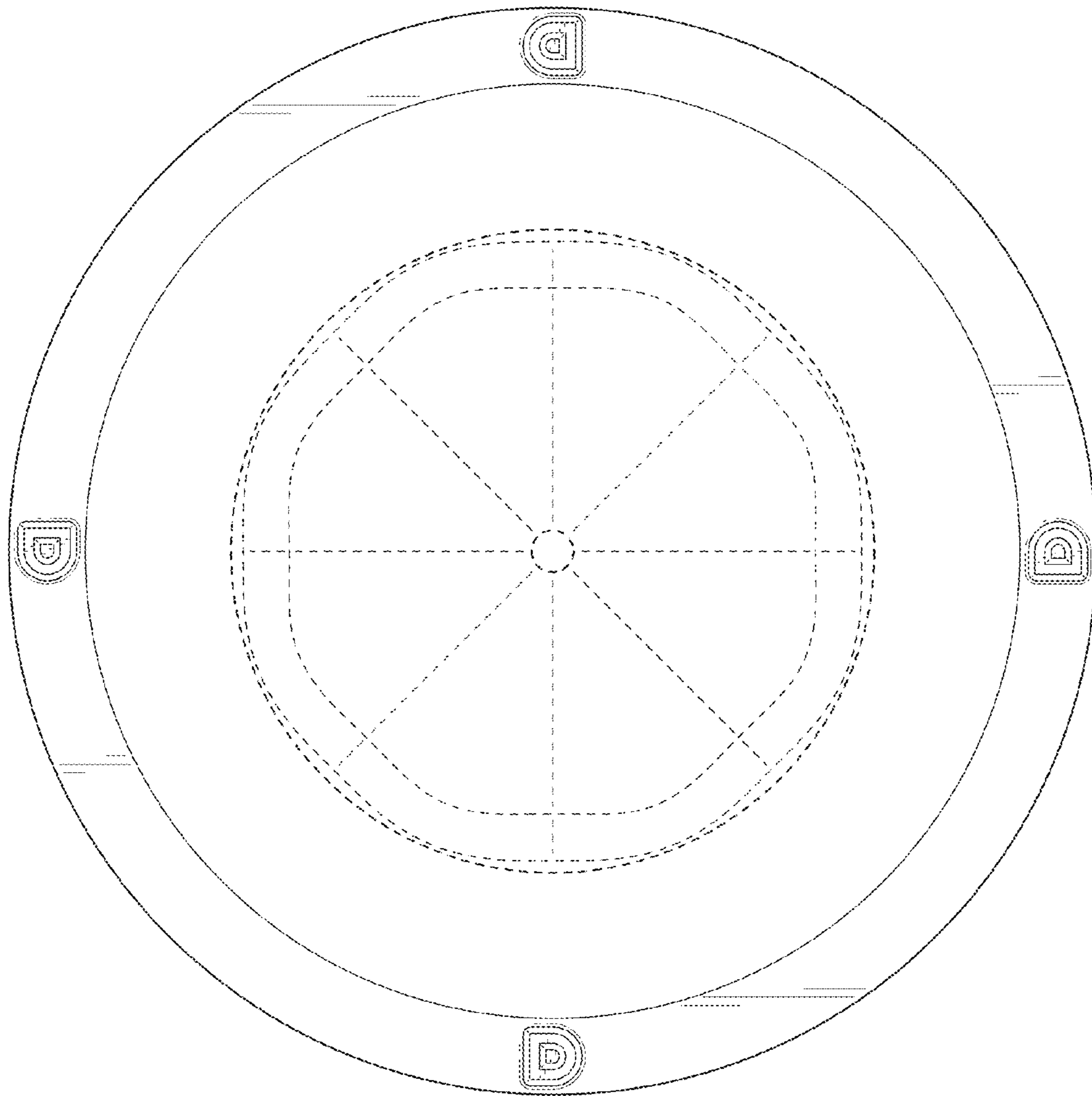


FIG. 35

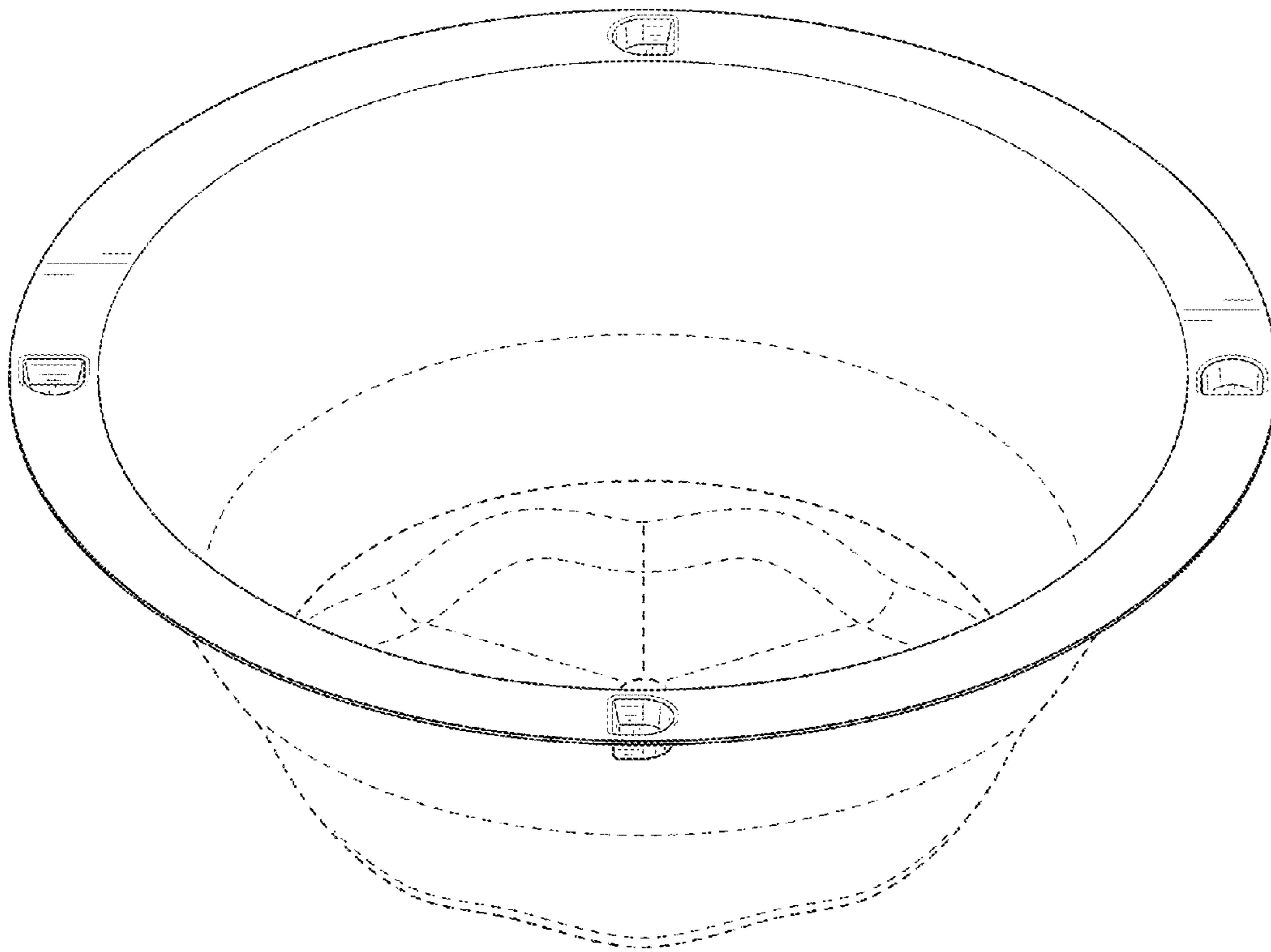


FIG. 36

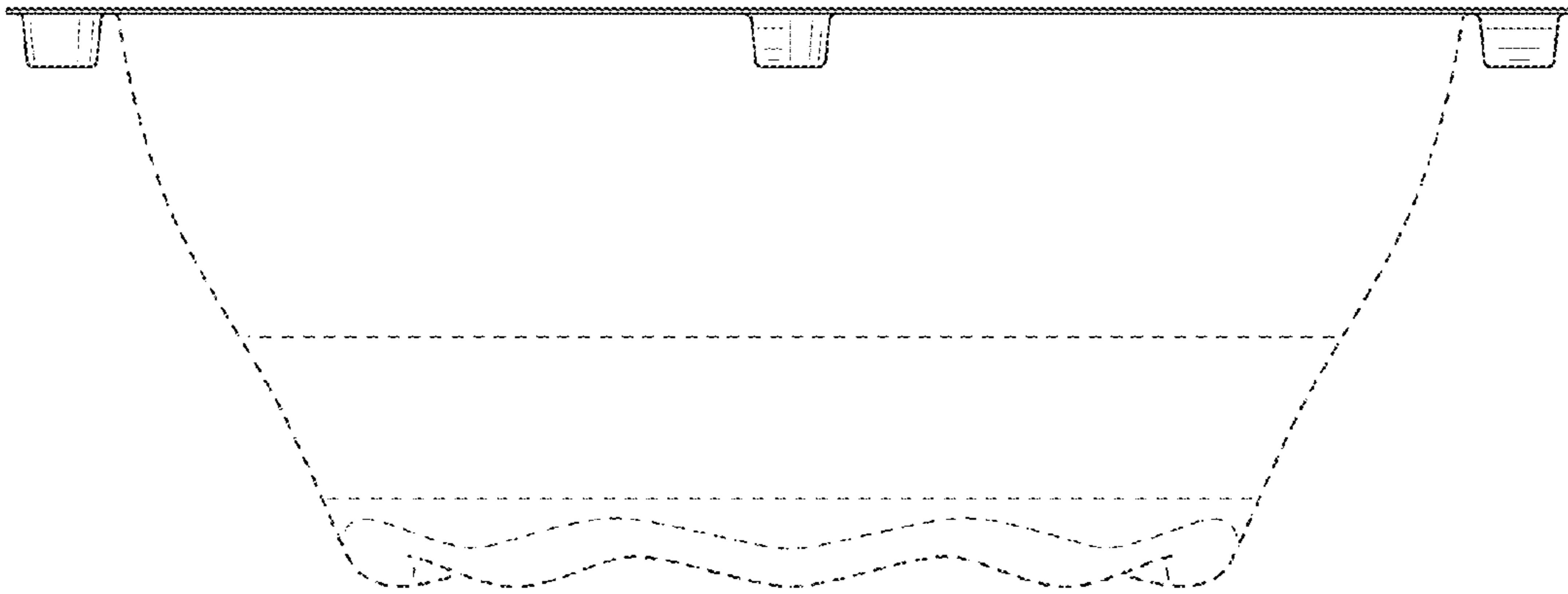


FIG. 37

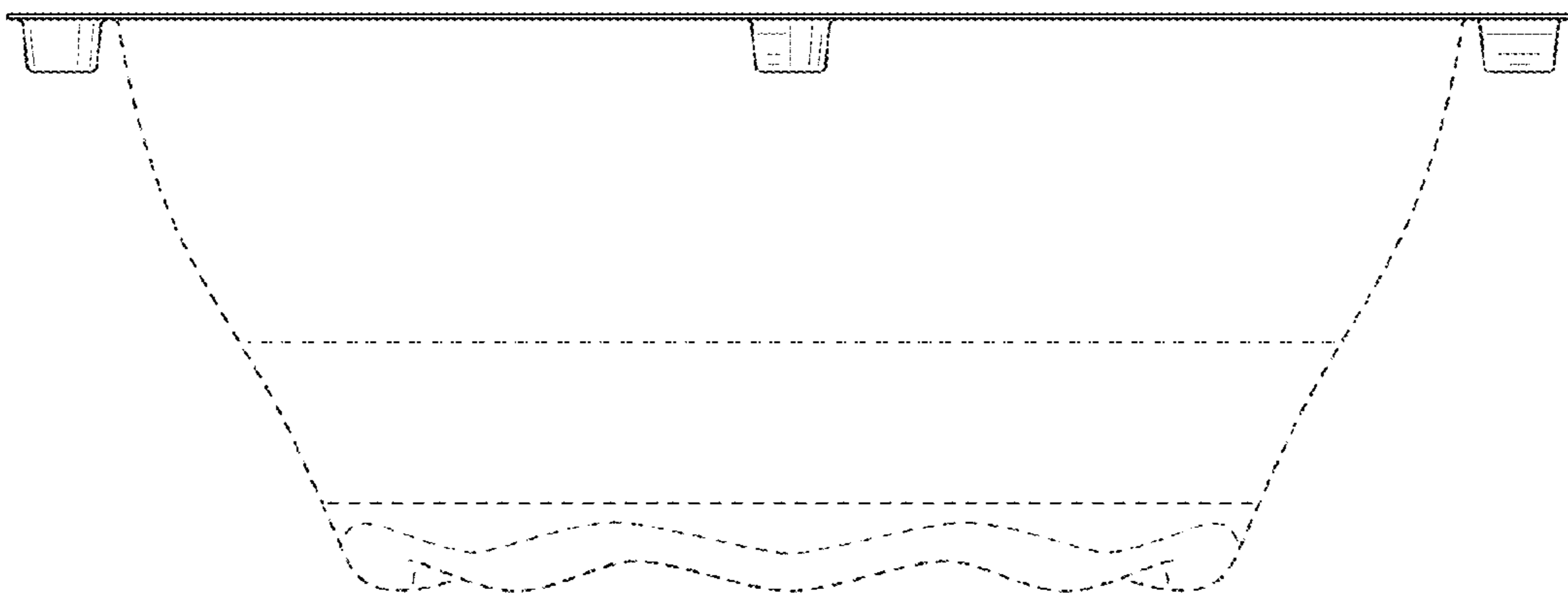


FIG. 38

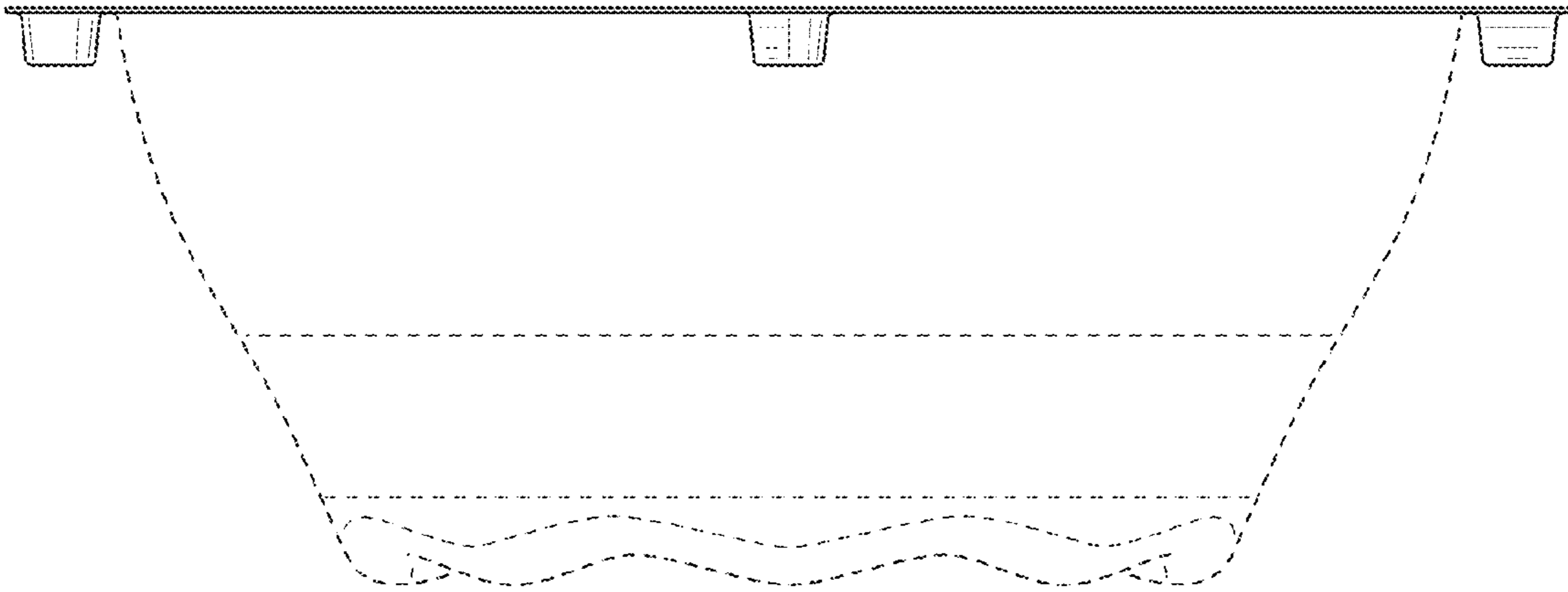


FIG. 39

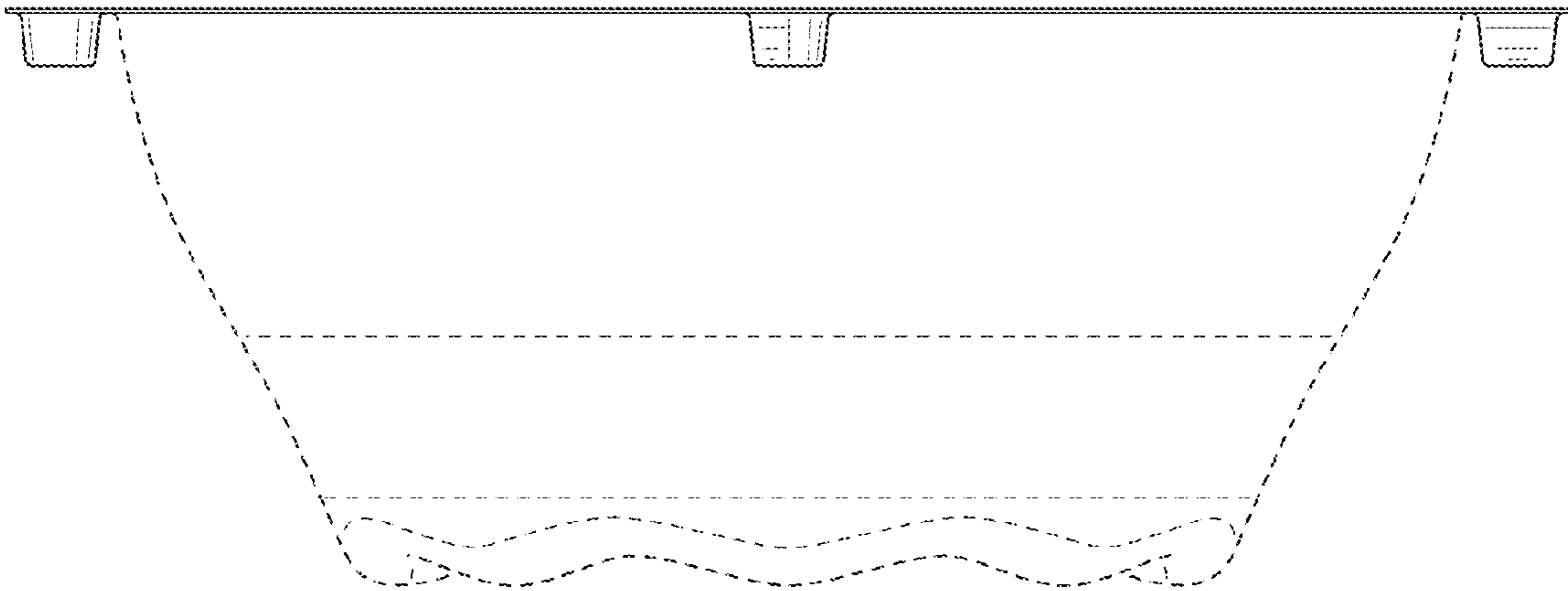


FIG. 40

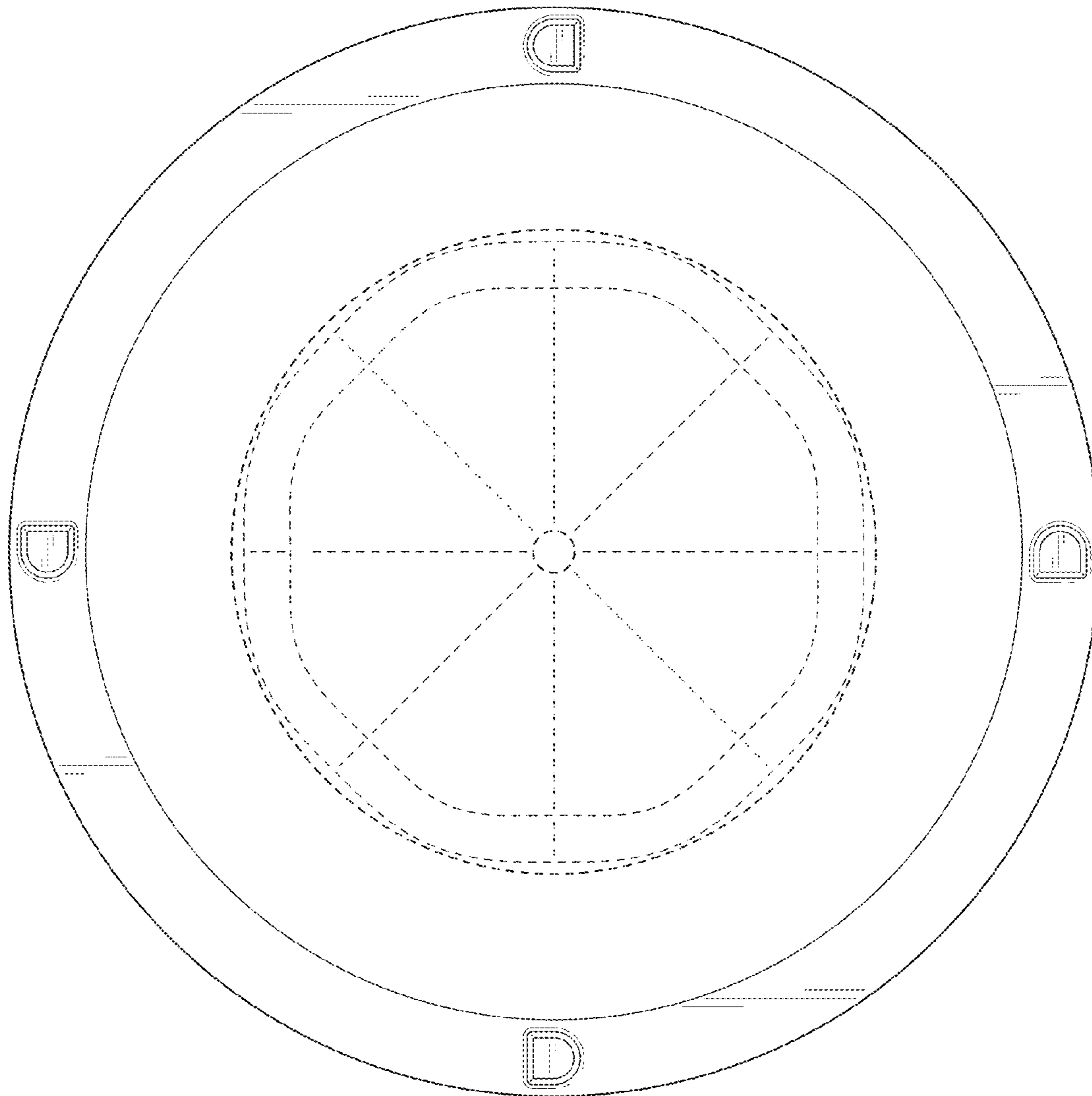


FIG. 41

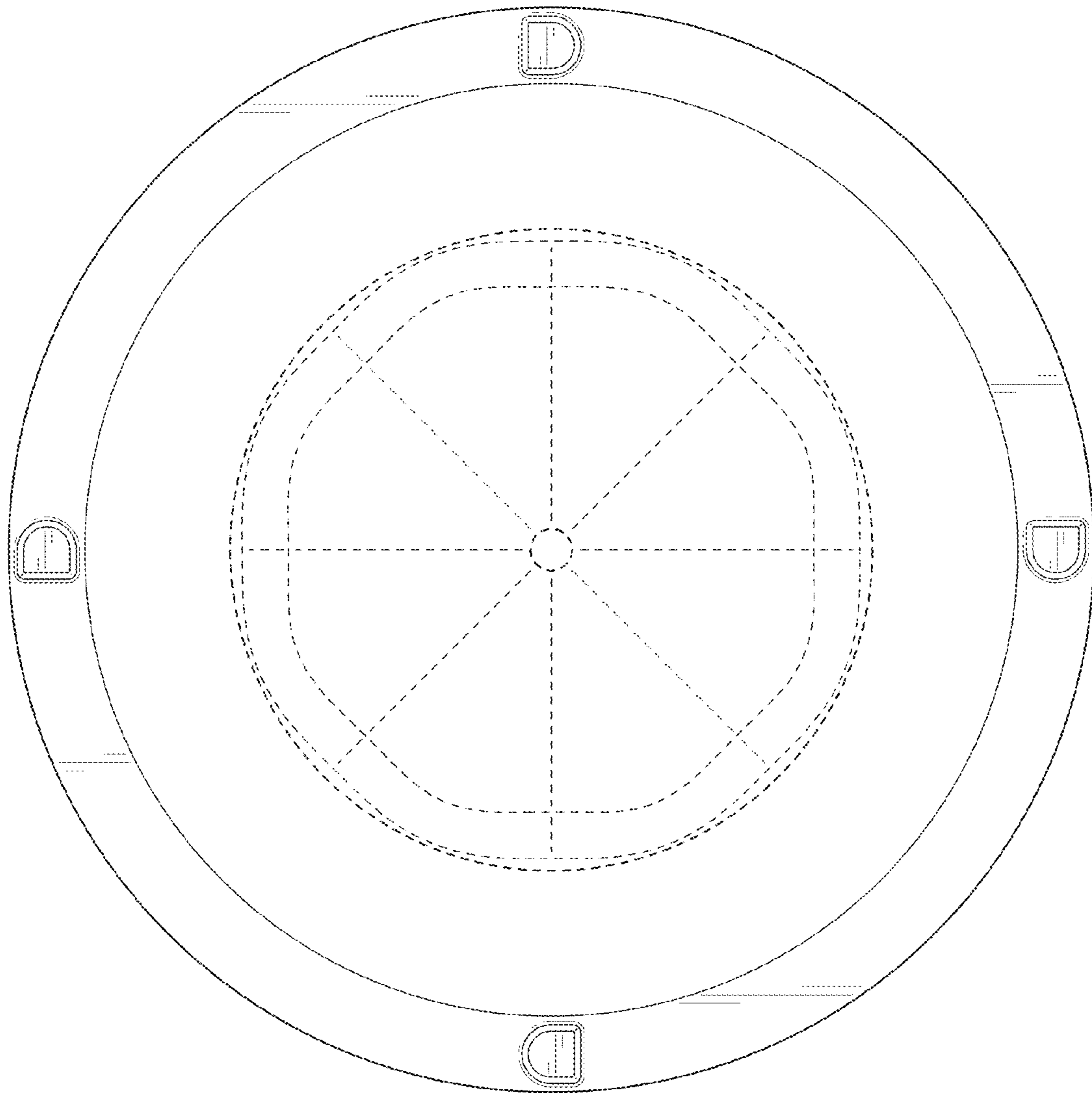


FIG. 42