



US00D747496S

(12) **United States Design Patent**
Ade et al.

(10) **Patent No.:** **US D747,496 S**
(45) **Date of Patent:** **** Jan. 12, 2016**

(54) **RADIATION PROBE**

(71) Applicant: **University of the Witwatersrand, Johannesburg, Johannesburg (ZA)**

(72) Inventors: **Nicholas Ade, Johannesburg (ZA); Tom Leong Nam, Johannesburg (ZA)**

(73) Assignee: **University of the Witswatersrand, Johannesburg, Johannesburg (ZA)**

(**) Term: **14 Years**

(21) Appl. No.: **29/456,332**

(22) Filed: **May 30, 2013**

(30) **Foreign Application Priority Data**

Dec. 3, 2012 (ZA) F2012/02184

(51) **LOC (10) Cl.** **24-01**

(52) **U.S. Cl.**
USPC **D24/187; D10/47**

(58) **Field of Classification Search**
USPC D24/186, 167, 214, 158, 216; D10/46, D10/47, 57, 78; D13/146, 152; 600/436; 250/367, 388; 174/50, 58, 66, 480, 174/650, 657, 666; 220/3.2; 138/109
CPC G01T 1/161; G01T 1/1613; G01T 1/202; G01T 1/18; H02G 3/086; H02G 3/08; F16L 33/003

See application file for complete search history.

(56) **References Cited**

U.S. PATENT DOCUMENTS

982,535 A * 1/1911 Rudkiewicz H02G 3/085
174/666

2,485,586 A * 10/1949 Goldstein G01T 1/18
250/388

2,640,619 A * 6/1953 Schneiderman H02G 3/083
220/3.2

D243,038 S * 1/1977 Ray D24/167

D246,956 S * 1/1978 Perry D10/78

D264,317 S * 5/1982 Tanzman D10/47

D266,404 S * 10/1982 Goldak D10/46

D274,893 S * 7/1984 Kallon et al. D10/78

D280,183 S * 8/1985 Braun D10/46

4,936,478 A * 6/1990 Bozdeck G09F 13/04
174/657

5,399,868 A * 3/1995 Jones G01T 1/26
600/436

D365,326 S * 12/1995 Starec D13/146

D371,429 S * 7/1996 Ternlind D23/386

D390,481 S * 2/1998 Atterbury D10/47

D413,532 S * 9/1999 Atterbury D10/78

6,043,895 A * 3/2000 Masterson G01N 21/8507
356/436

D423,377 S * 4/2000 Atterbury D10/47

6,069,317 A * 5/2000 Wagganer H02G 3/088
174/650

6,191,422 B1 * 2/2001 Thurston A61B 6/4258
250/367

D459,244 S * 6/2002 Rigby D10/47

D459,246 S * 6/2002 Power D10/47

D507,241 S * 7/2005 Koessler D13/152

7,109,416 B1 * 9/2006 Reed H02G 15/113
174/50

7,446,266 B1 * 11/2008 Gretz H02G 3/06
174/66

7,939,767 B2 * 5/2011 Tiefenthaler H02G 3/22
174/480

(Continued)

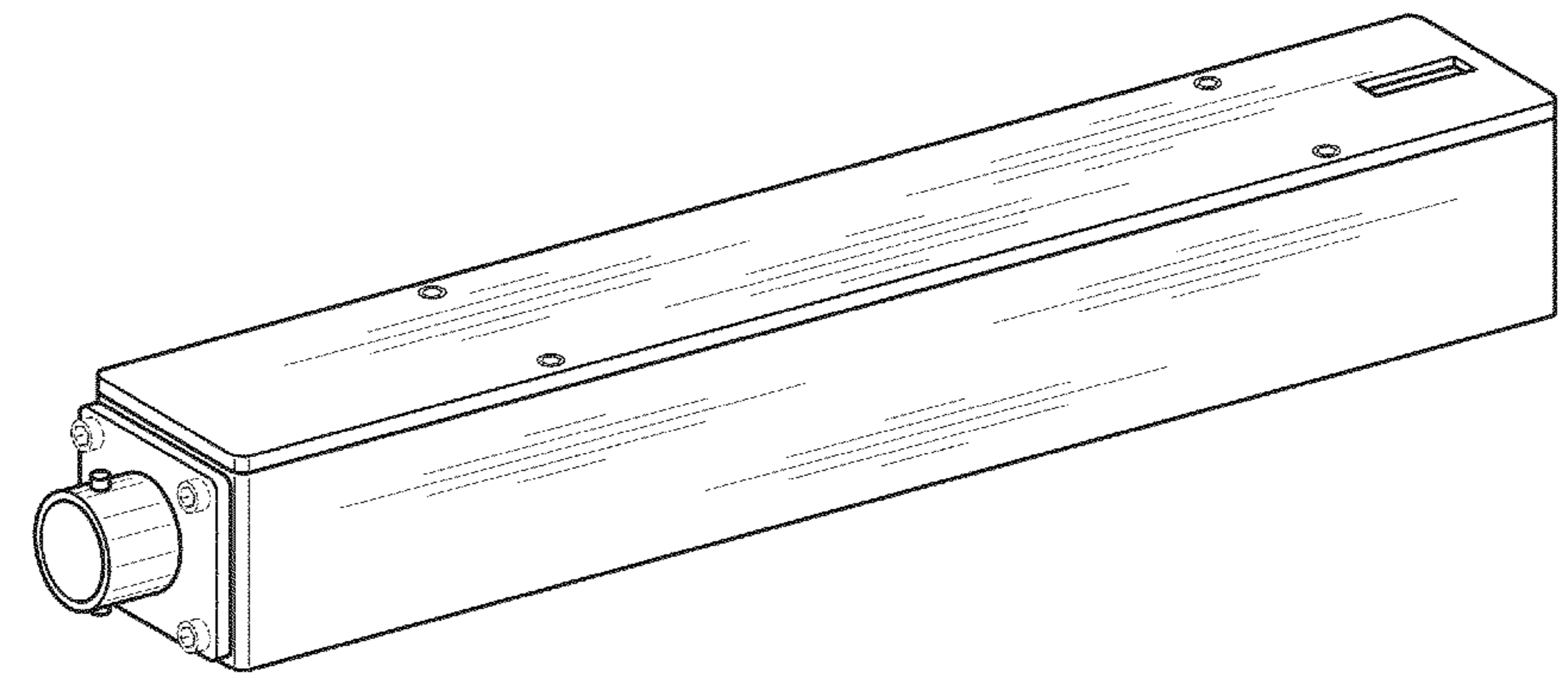
Primary Examiner — T. Chase Nelson
Assistant Examiner — Mark Cavanna
(74) *Attorney, Agent, or Firm* — Choate, Hall & Stewart LLP; Charles E. Lyon

(57) **CLAIM**
The ornamental design for a radiation probe, as shown and described.

DESCRIPTION

FIG. 1 is a perspective view of a radiation probe showing our new design;
FIG. 2 is a top view thereof;
FIG. 3 is a front view thereof;
FIG. 4 is a bottom view thereof;
FIG. 5 is a rear view thereof;
FIG. 6 is a left side view thereof; and,
FIG. 7 is a right side view thereof.
The broken lines depict portions of the radiation probe that form no part of the claimed design.

1 Claim, 2 Drawing Sheets



US D747,496 S

Page 2

(56)

References Cited

U.S. PATENT DOCUMENTS

8,242,386 B1 *	8/2012	Baldwin	H02G 3/081 174/50
D669,799 S *	10/2012	Okudaira	D10/47
D682,791 S *	5/2013	Nikayin	D13/152
D686,995 S *	7/2013	Nikayin	D13/152
D691,496 S *	10/2013	Kazaoka	D10/47
D716,462 S *	10/2014	Perryman	D24/214
2006/0207783 A1 *	9/2006	Lammens, Jr.	H02G 15/08 174/58
2011/0120582 A1 *	5/2011	Veillette	H02G 3/086 138/109

* cited by examiner

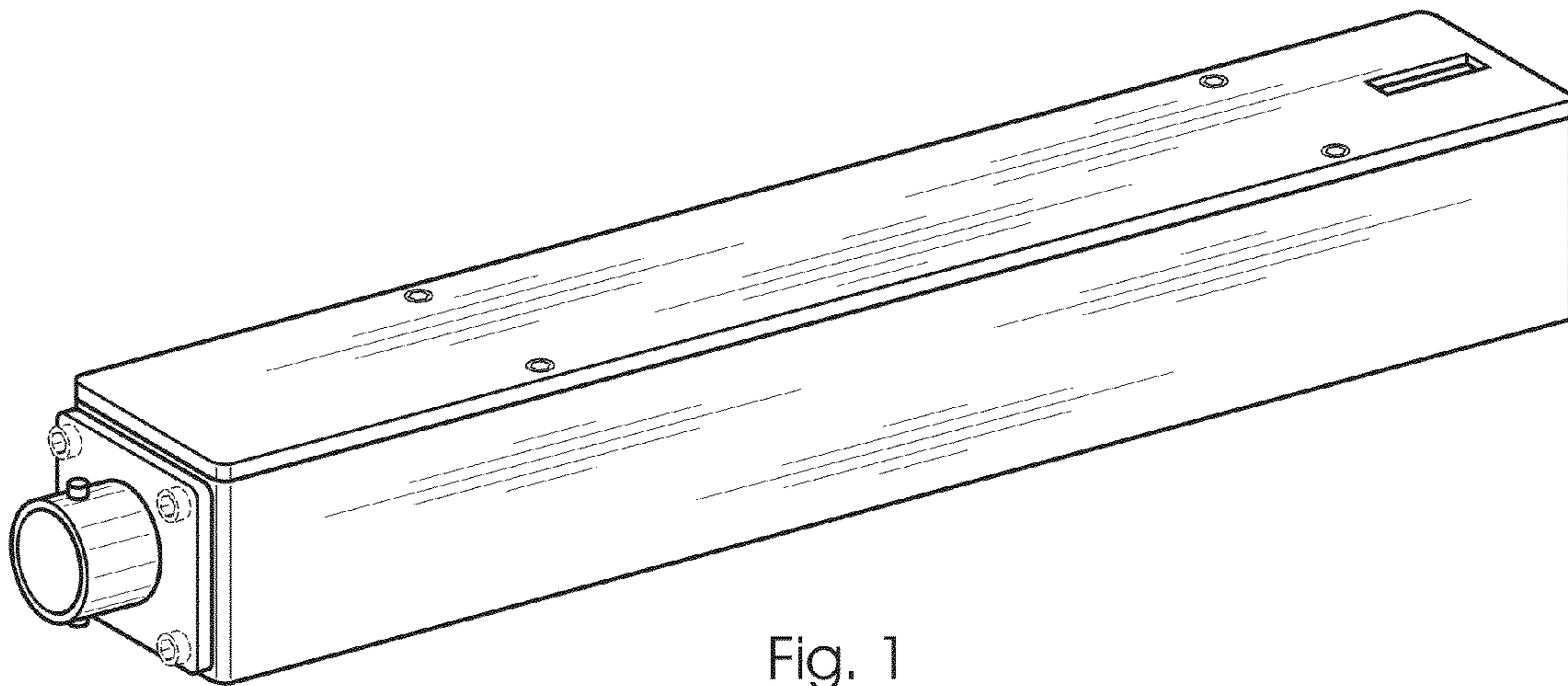


Fig. 1

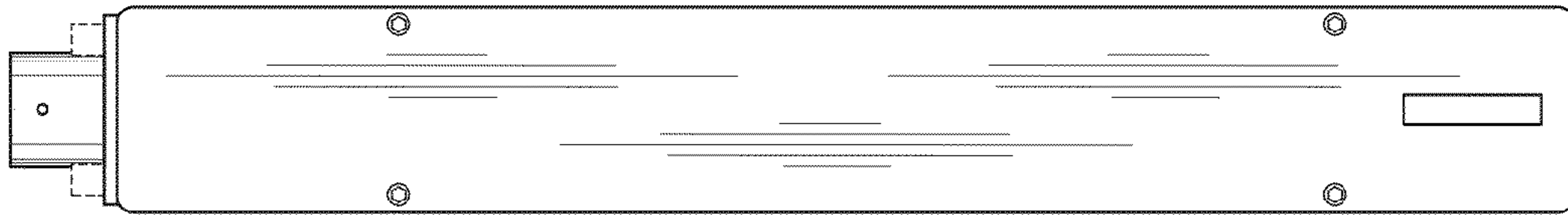


Fig. 2

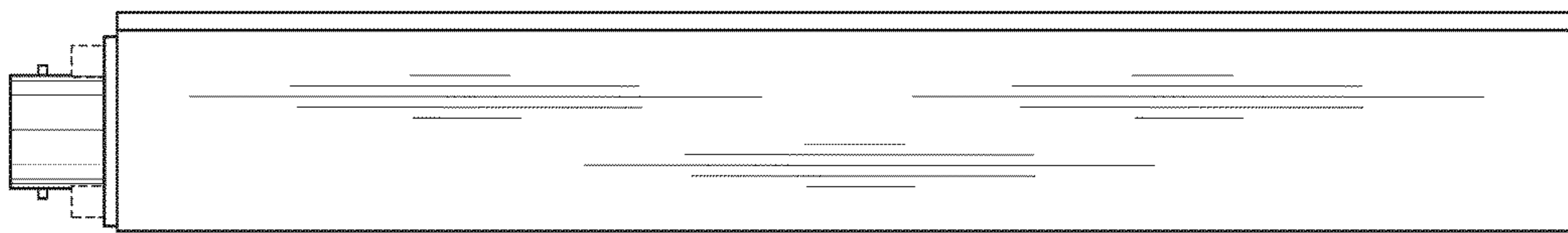


Fig. 3

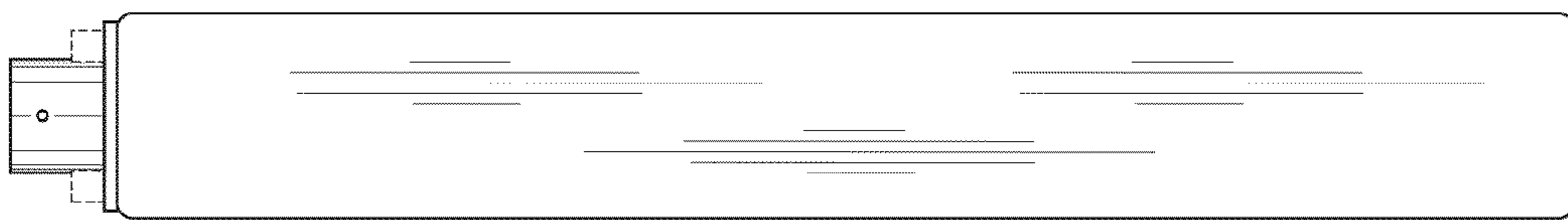


Fig. 4

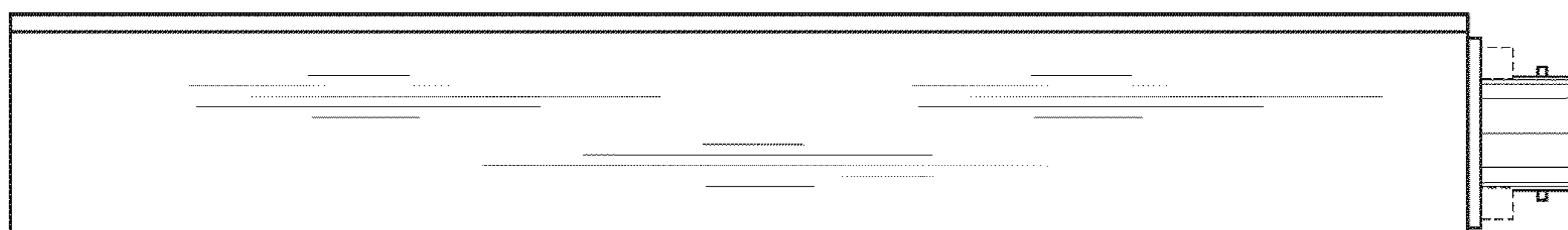


Fig. 5

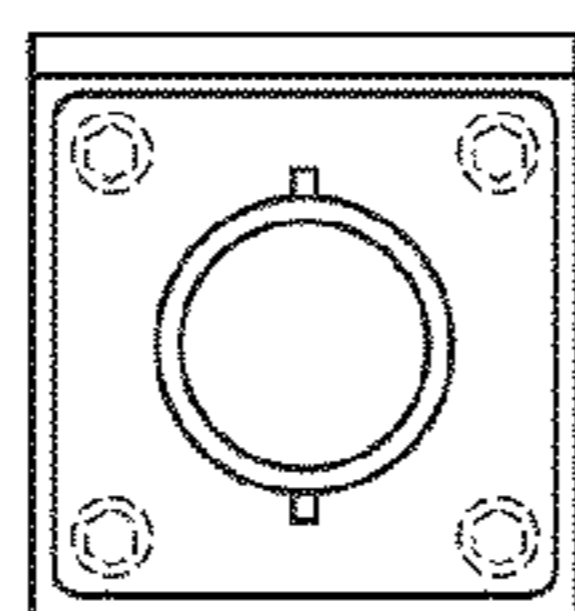


Fig. 6

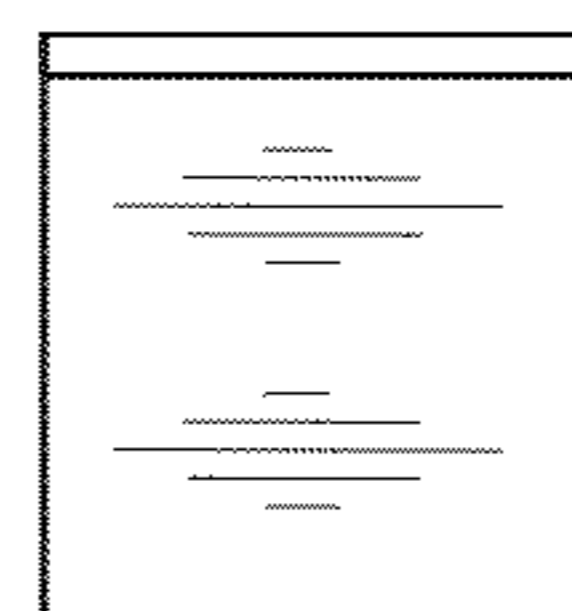


Fig. 7