



US00D747492S

(12) **United States Design Patent**
Kim

(10) **Patent No.:** **US D747,492 S**
(45) **Date of Patent:** **** Jan. 12, 2016**

(54) **ORTHODONTIC BRACKET**

(71) Applicant: **Jong Ho Kim**, Seoul (KR)

(72) Inventor: **Jong Ho Kim**, Seoul (KR)

(**) Term: **14 Years**

(21) Appl. No.: **29/494,261**

(22) Filed: **Jun. 18, 2014**

(30) **Foreign Application Priority Data**

Dec. 20, 2013 (KR) 30-2013-0064369

(51) **LOC (10) Cl.** **24-99**

(52) **U.S. Cl.**
USPC **D24/180**

(58) **Field of Classification Search**
USPC D24/176-182; 433/3, 8-18
CPC A61C 7/12; A61C 7/14; A61C 7/00;
A61C 7/16; A61C 7/146; A61C 7/28; A61C
7/20; A61C 7/282; A61C 7/141
See application file for complete search history.

(56) **References Cited**

U.S. PATENT DOCUMENTS

4,487,581 A * 12/1984 Adler 433/16
D303,708 S * 9/1989 Pospisil D24/180
D331,974 S * 12/1992 Bjork et al. D24/180
D358,649 S * 5/1995 Moschik D24/180
6,648,638 B2 * 11/2003 Castro et al. 433/8

8,157,562 B2 * 4/2012 Swain 433/9
8,920,164 B2 * 12/2014 Tamura et al. 433/10
2014/0272751 A1 * 9/2014 Cosse et al. 433/9
2014/0272752 A1 * 9/2014 Huang 433/11

* cited by examiner

Primary Examiner — Wan Laymon

(74) *Attorney, Agent, or Firm* — Jianq Chyun IP Office

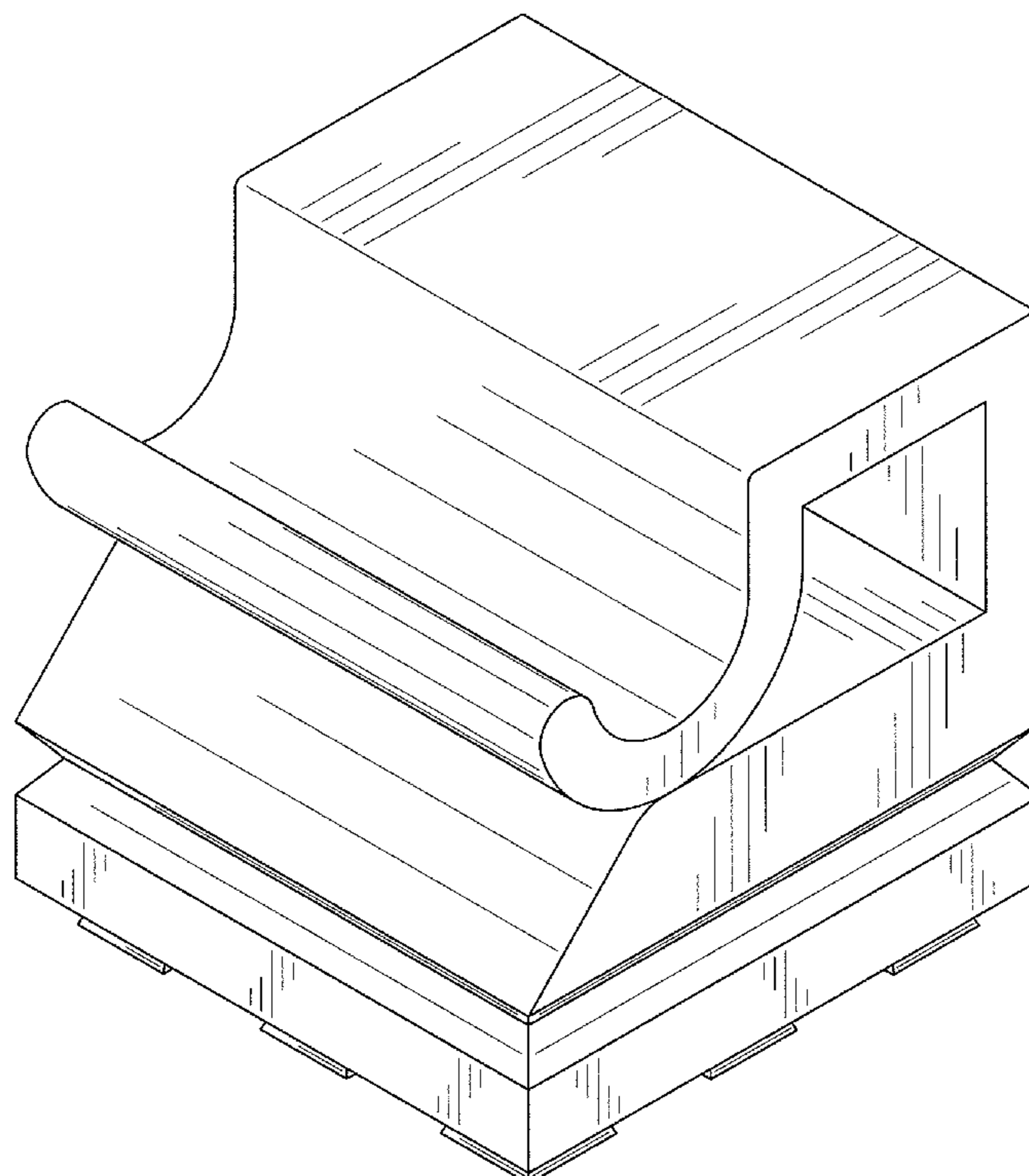
(57) **CLAIM**

The ornamental design for an orthodontic bracket, as shown and described.

DESCRIPTION

FIG. 1 is a perspective view of an orthodontic bracket showing my new design;
FIG. 2 is a front view thereof;
FIG. 3 is a rear view thereof;
FIG. 4 is a left side view thereof;
FIG. 5 is a right side view thereof;
FIG. 6 is a top plan view thereof;
FIG. 7 is a bottom plan view thereof;
FIG. 8 is a reference view of usage, wherein the wire is inserted between the orthodontic brackets of the present design adhered to the teeth; and,
FIG. 9 is a reference view of usage, wherein the wire is inserted in the orthodontic bracket of the present design adhered to the tooth.
The broken lines shown in FIGS. 8 and 9 represent the environment only and form no part of the claimed design.

1 Claim, 9 Drawing Sheets



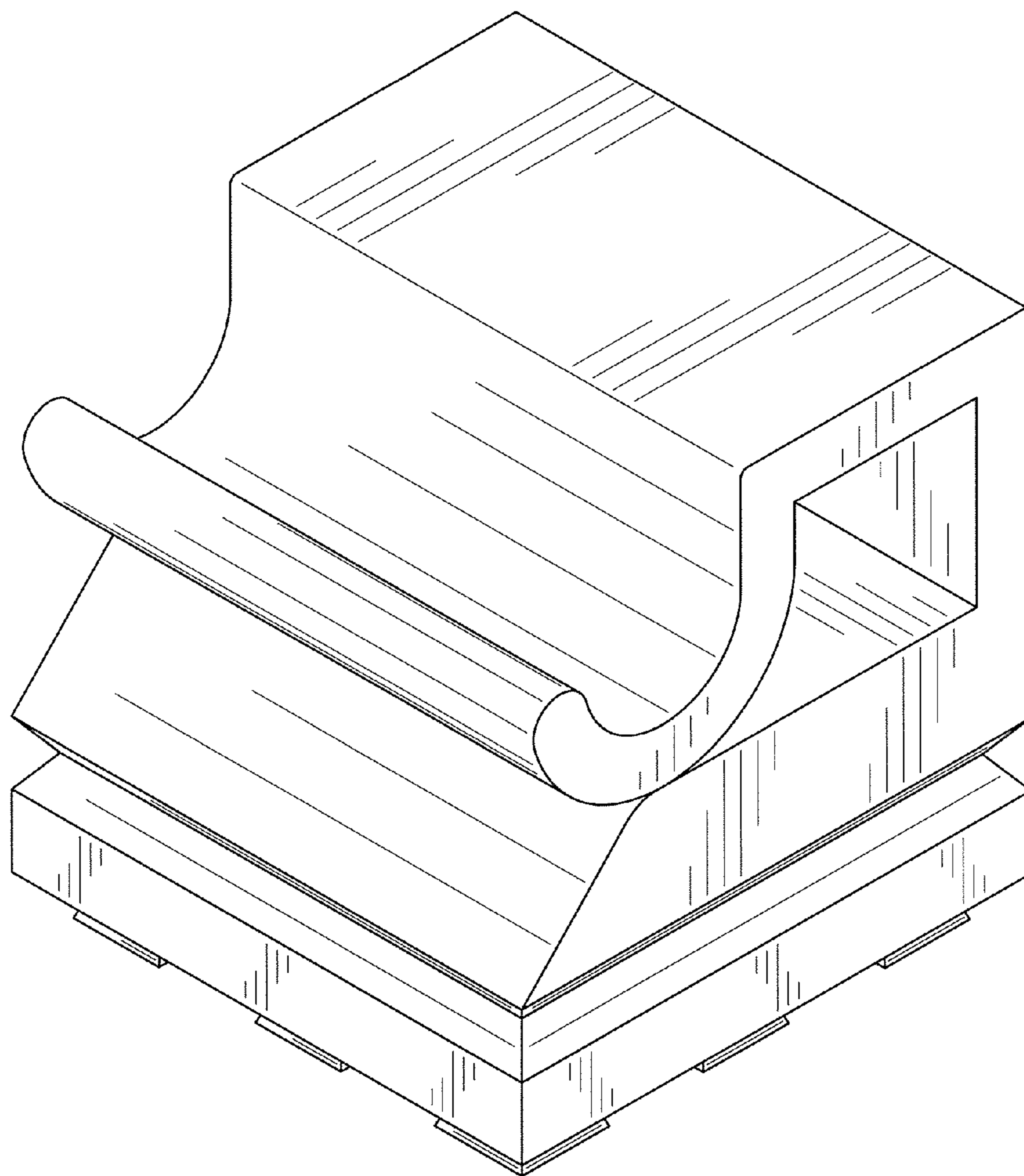


FIG. 1

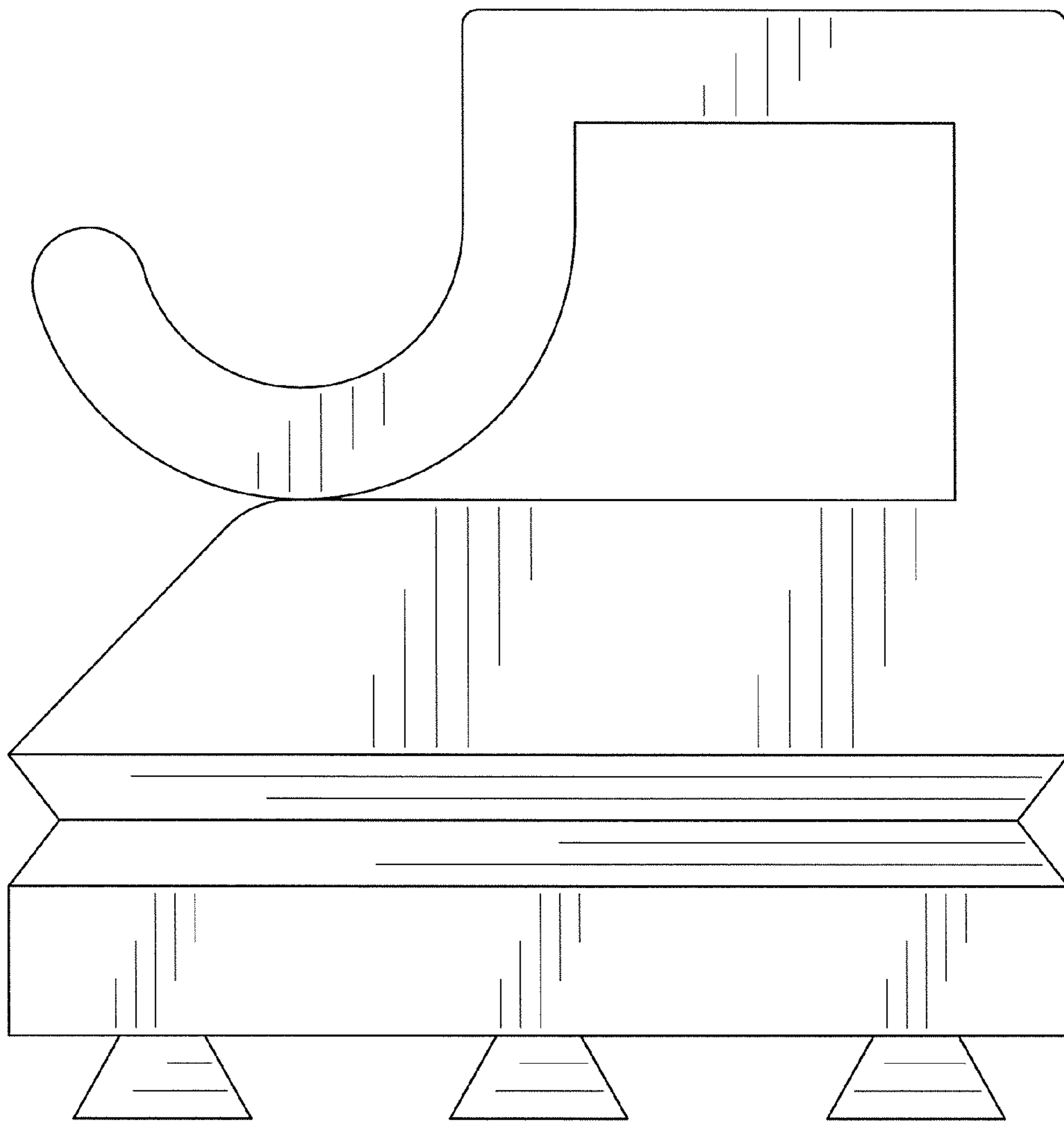


FIG. 2

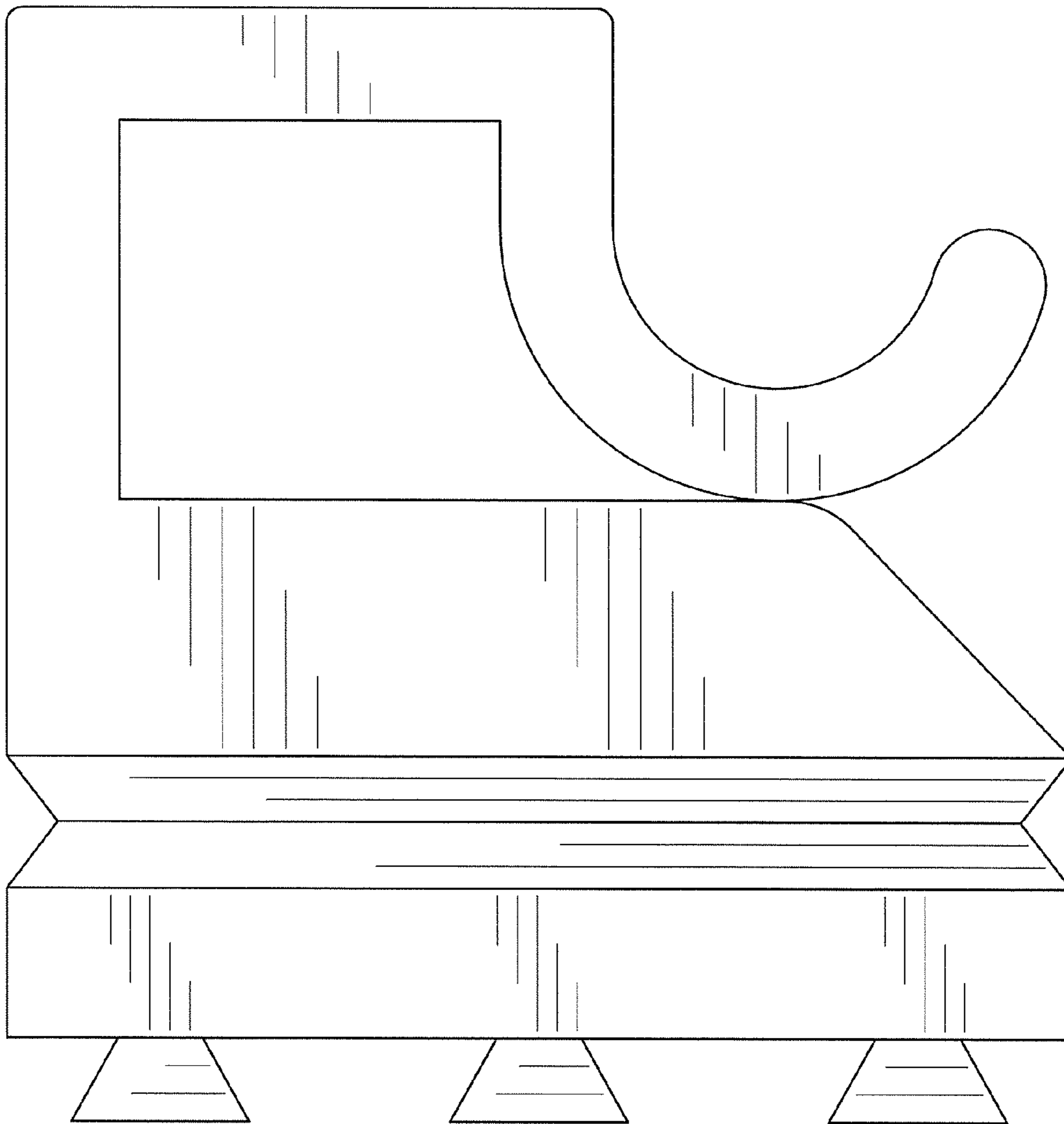


FIG. 3

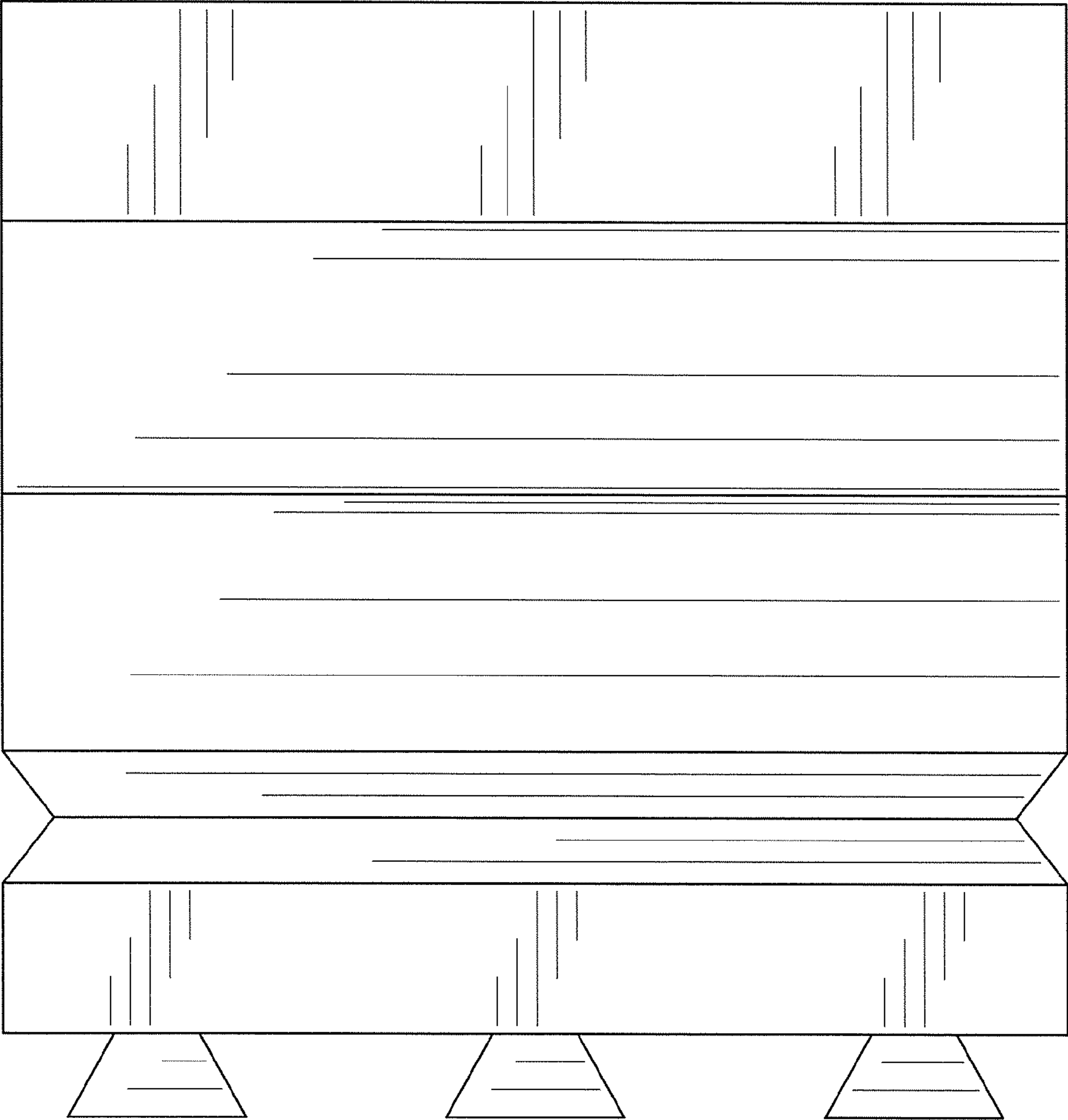


FIG. 4

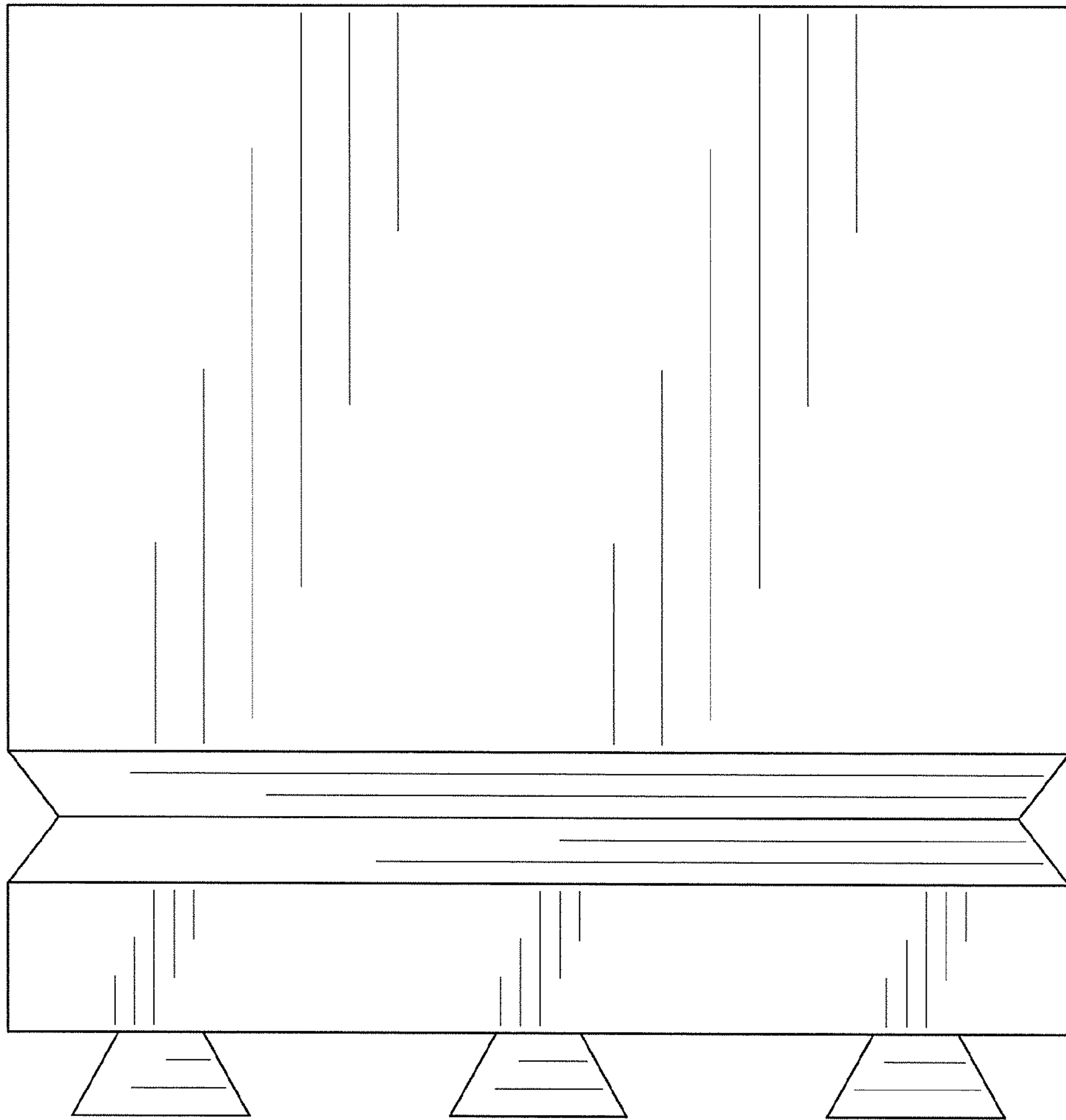


FIG. 5

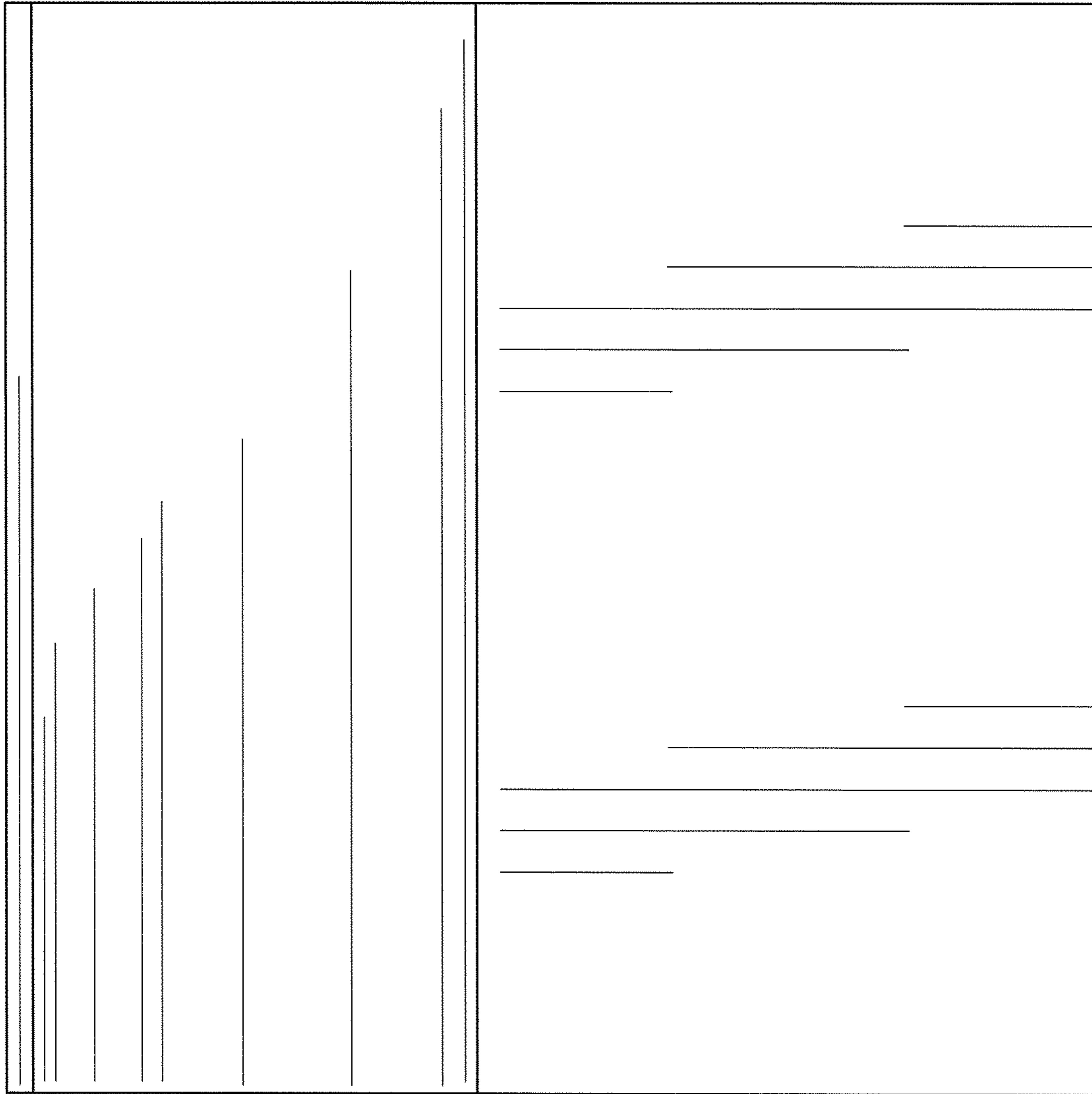


FIG. 6

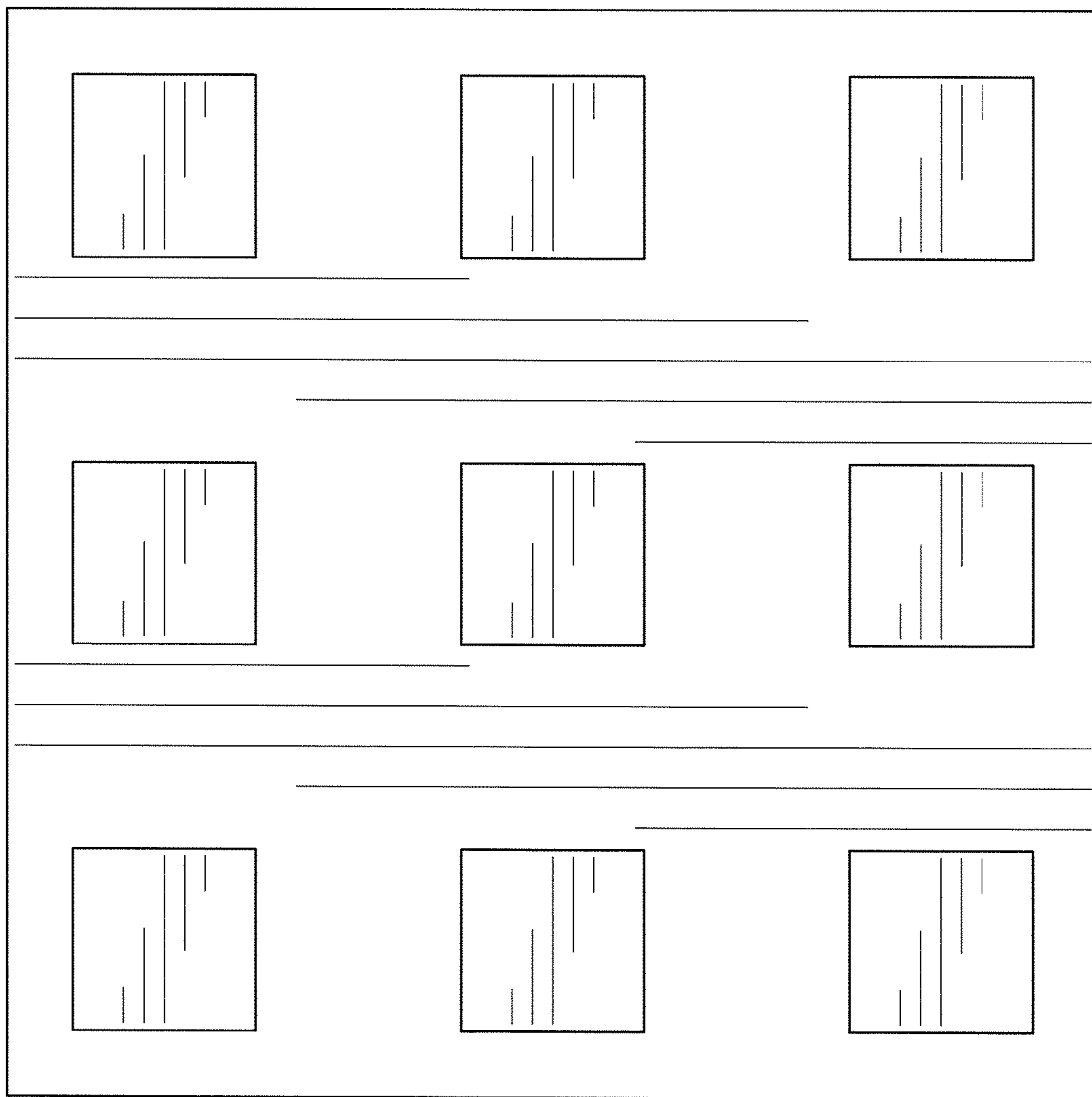


FIG. 7

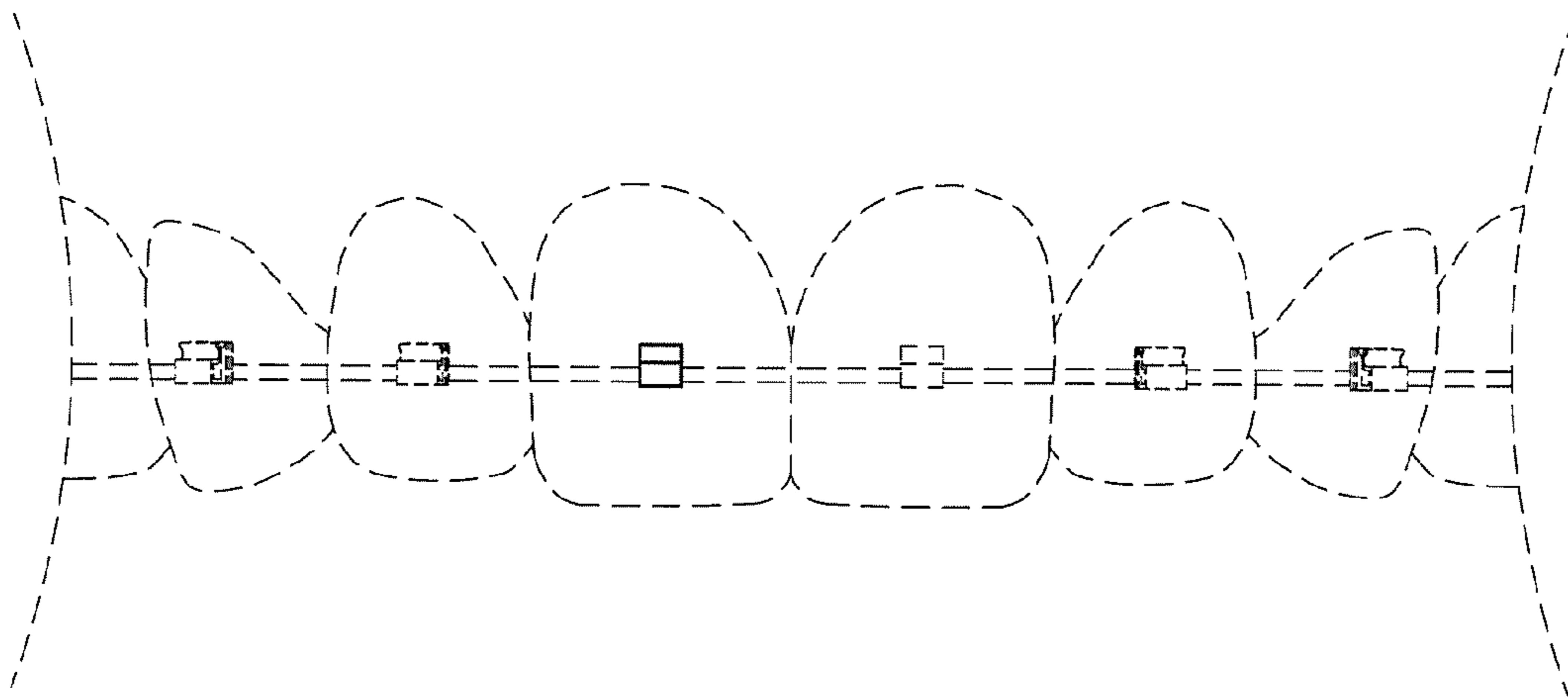


FIG. 8

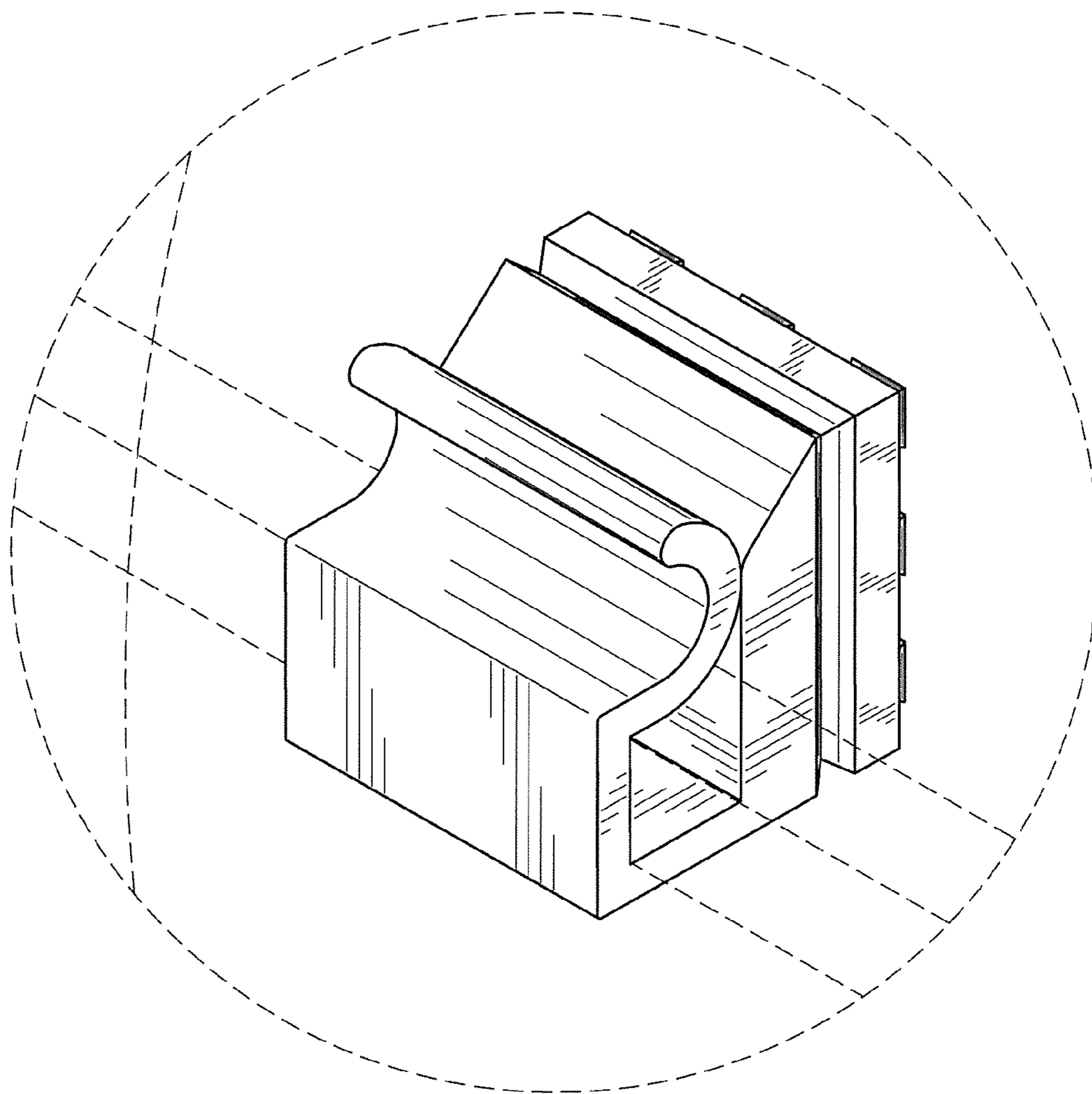


FIG. 9