



US00D747489S

(12) **United States Design Patent**  
**Ahlstrom et al.**

(10) **Patent No.:** **US D747,489 S**  
(45) **Date of Patent:** **\*\* Jan. 12, 2016**

(54) **GLUCOSE METER**

(71) Applicant: **Roche Diabetes Care, Inc.**,  
Indianapolis, IN (US)

(72) Inventors: **Joakim Ahlstrom**, Taby (SE); **Michel A. Cadio**, Carmel, IN (US); **Sebastian Liedtke**, Heidelberg (DE); **Aydin Mert**, Orebro (SE)

(73) Assignee: **Roche Diabetes Care, Inc.**,  
Indianapolis, IN (US)

(\*\*) Term: **14 Years**

(21) Appl. No.: **29/510,576**

(22) Filed: **Dec. 1, 2014**

**Related U.S. Application Data**

(62) Division of application No. 29/490,174, filed on May 7, 2014, now Pat. No. Des. 721,177.

(51) **LOC (10) Cl.** ..... **24-01**

(52) **U.S. Cl.**  
USPC ..... **D24/169**

(58) **Field of Classification Search**  
USPC ..... D24/216, 223, 231, 232, 107, 169, 186;  
D10/81; 422/68.1, 420, 500;  
435/287.1, 287.3; 436/43, 45, 47;  
600/309, 365, 368, 583, 584  
CPC . G01N 33/48707; G01N 33/52; G01N 33/49;  
G01N 33/492  
See application file for complete search history.

(56) **References Cited**

**U.S. PATENT DOCUMENTS**

D406,895 S 3/1999 Byrd et al.  
D473,310 S 4/2003 Schlagheck et al.

D499,805 S \* 12/2004 D'Agostino ..... D24/169  
D546,457 S 7/2007 Hannant et al.  
D562,458 S 2/2008 Padain  
D581,056 S \* 11/2008 Kurokawa et al. .... D24/186  
D648,029 S \* 11/2011 Presta et al. .... D24/169  
D696,404 S 12/2013 Golnik et al.  
D713,963 S 9/2014 Liedtke et al.  
2010/0113896 A1 5/2010 Cadio et al.  
2011/0034786 A1 2/2011 Cadio et al.  
2014/0051958 A1\* 2/2014 Fern et al. .... 600/365

**OTHER PUBLICATIONS**

Accu-Chek® Active Meter System, [www.accu-chek.com/us/glucose-meters/active.html](http://www.accu-chek.com/us/glucose-meters/active.html) (printed therefrom on Apr. 15, 2014).  
Acco-Chek® Advantage Meter System, [www.accu-chek.com/us/glucosemeters/advantage.html](http://www.accu-chek.com/us/glucosemeters/advantage.html) (printed therefrom on Apr. 15, 2014).  
Acco-Chek® Aviva Plus System, [www.accu-chek.com/us/glucosemeters/aviva.html](http://www.accu-chek.com/us/glucosemeters/aviva.html) (printed therefrom on Apr. 15, 2014).  
Acco-Chek® Compact Plus Meter System, [www.accu-chek.com/us/glucosemeters/compact-plus.html](http://www.accu-chek.com/us/glucosemeters/compact-plus.html) (printed therefrom on Apr. 15, 2014).  
Accu-Chek® Nano Meter, [www.accu-chek.com/us/glucose-meters/nano.html](http://www.accu-chek.com/us/glucose-meters/nano.html) (printed therefrom on Apr. 15, 2014).

\* cited by examiner

*Primary Examiner* — Anhdao Doan

(74) *Attorney, Agent, or Firm* — Roche Diabetes Care, Inc.

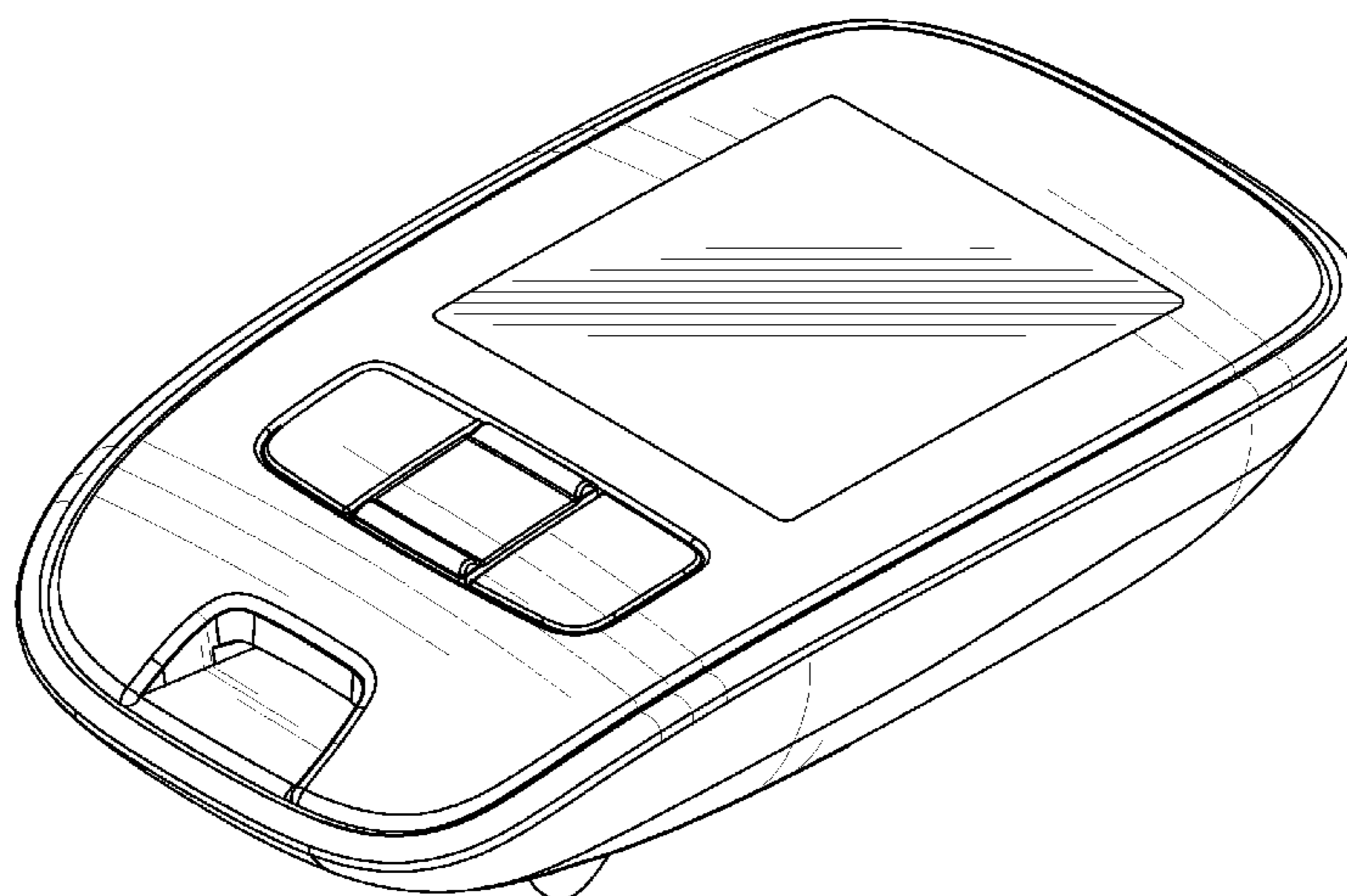
(57) **CLAIM**

The ornamental design for a glucose meter, as shown and described.

**DESCRIPTION**

FIG. 1 is a perspective view of a glucose meter; FIG. 2 is a bottom view of the glucose meter; FIG. 3 is a top view of the glucose meter; FIG. 4 is a front view of the glucose meter; FIG. 5 is a rear view of the glucose meter; and, FIG. 6 is a side view of the glucose meter.

**1 Claim, 3 Drawing Sheets**



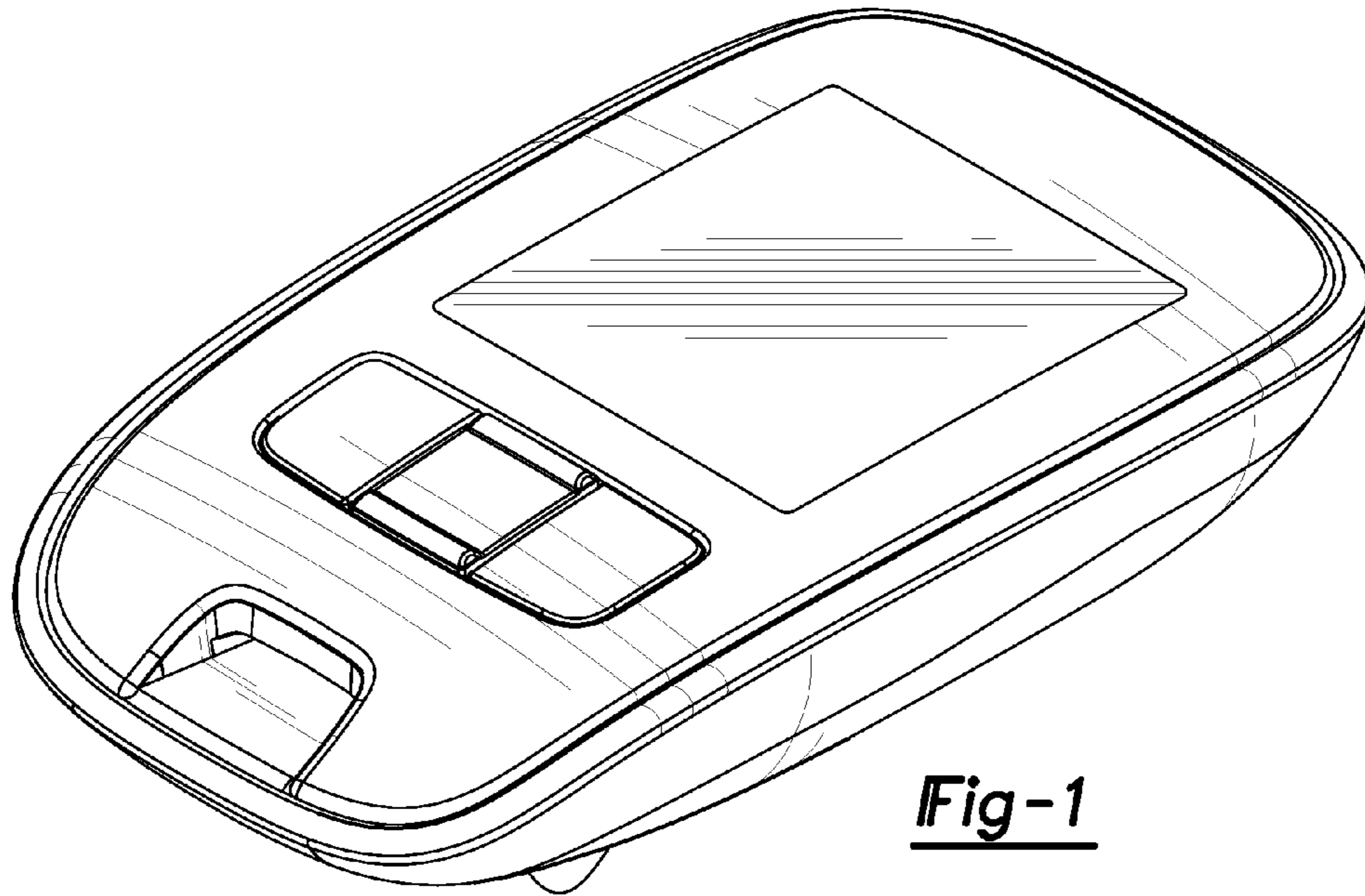


Fig-1

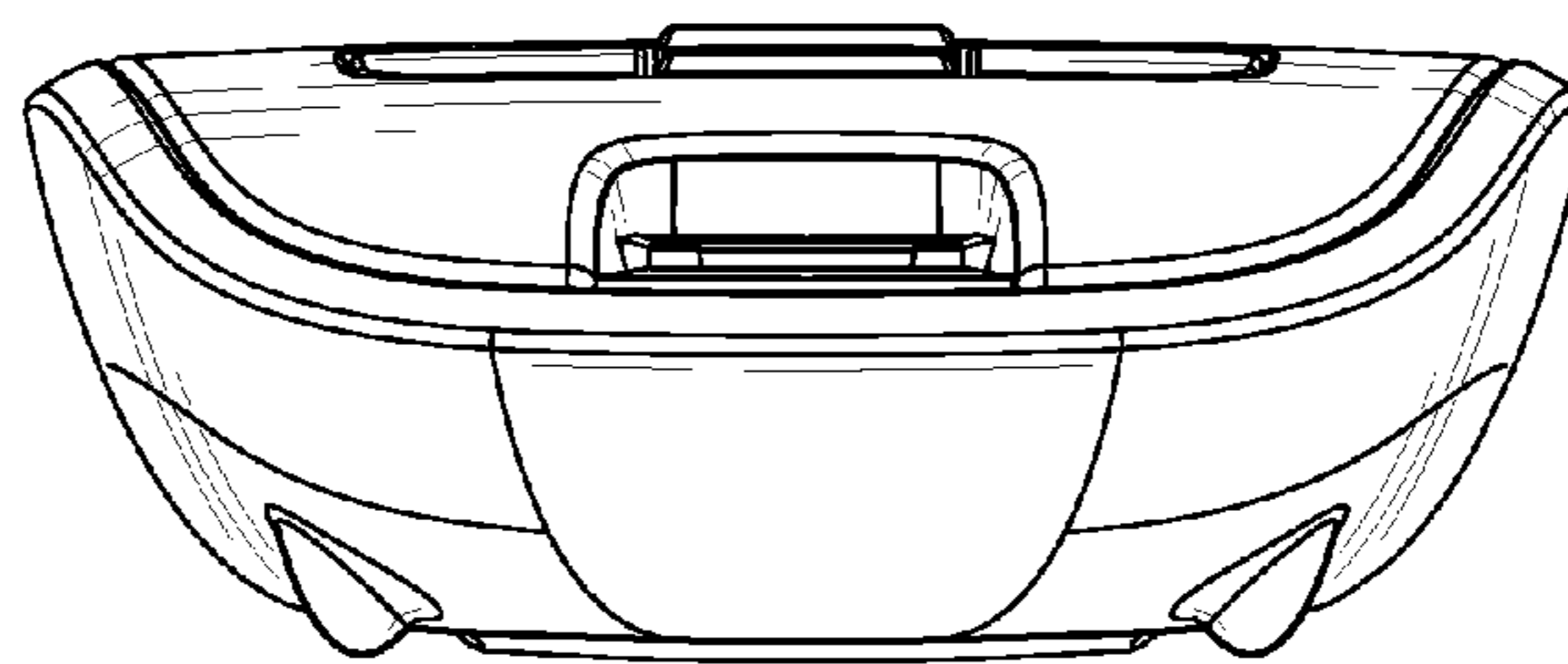


Fig-2

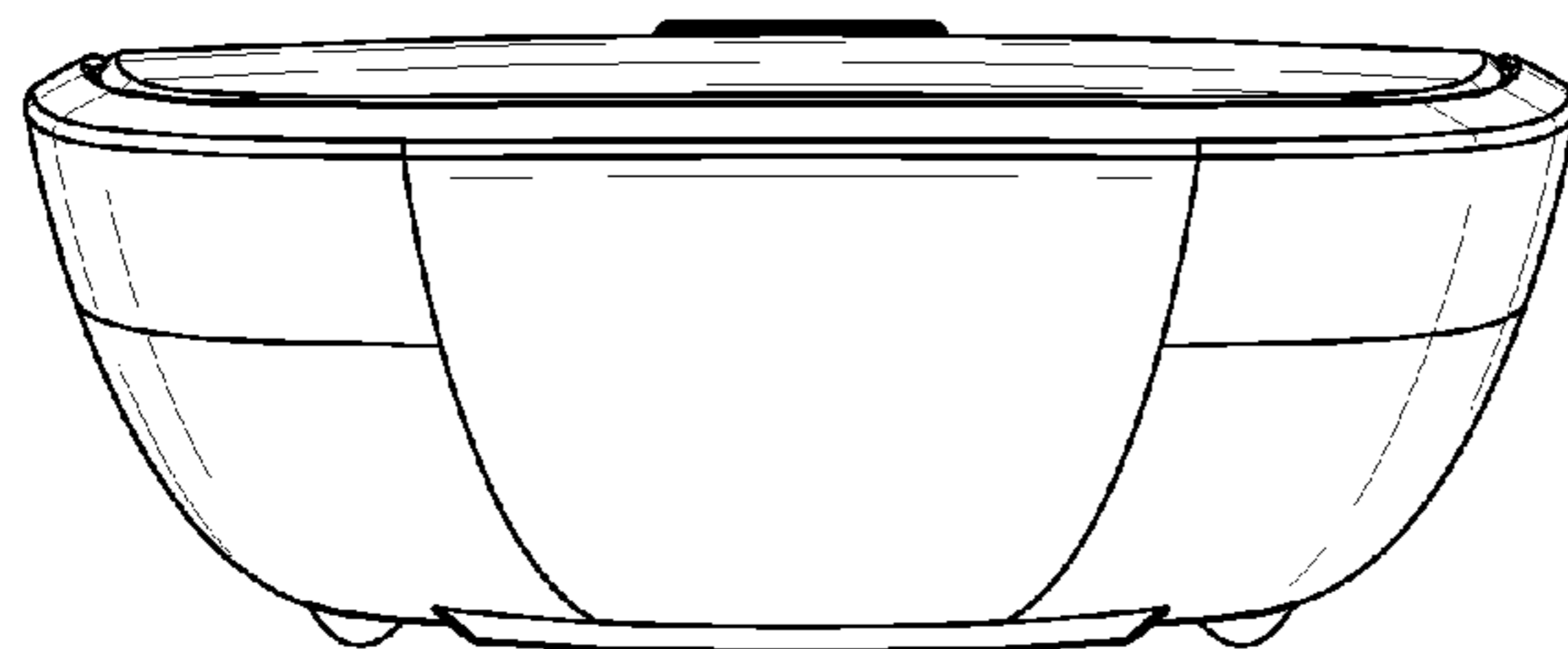


Fig-3

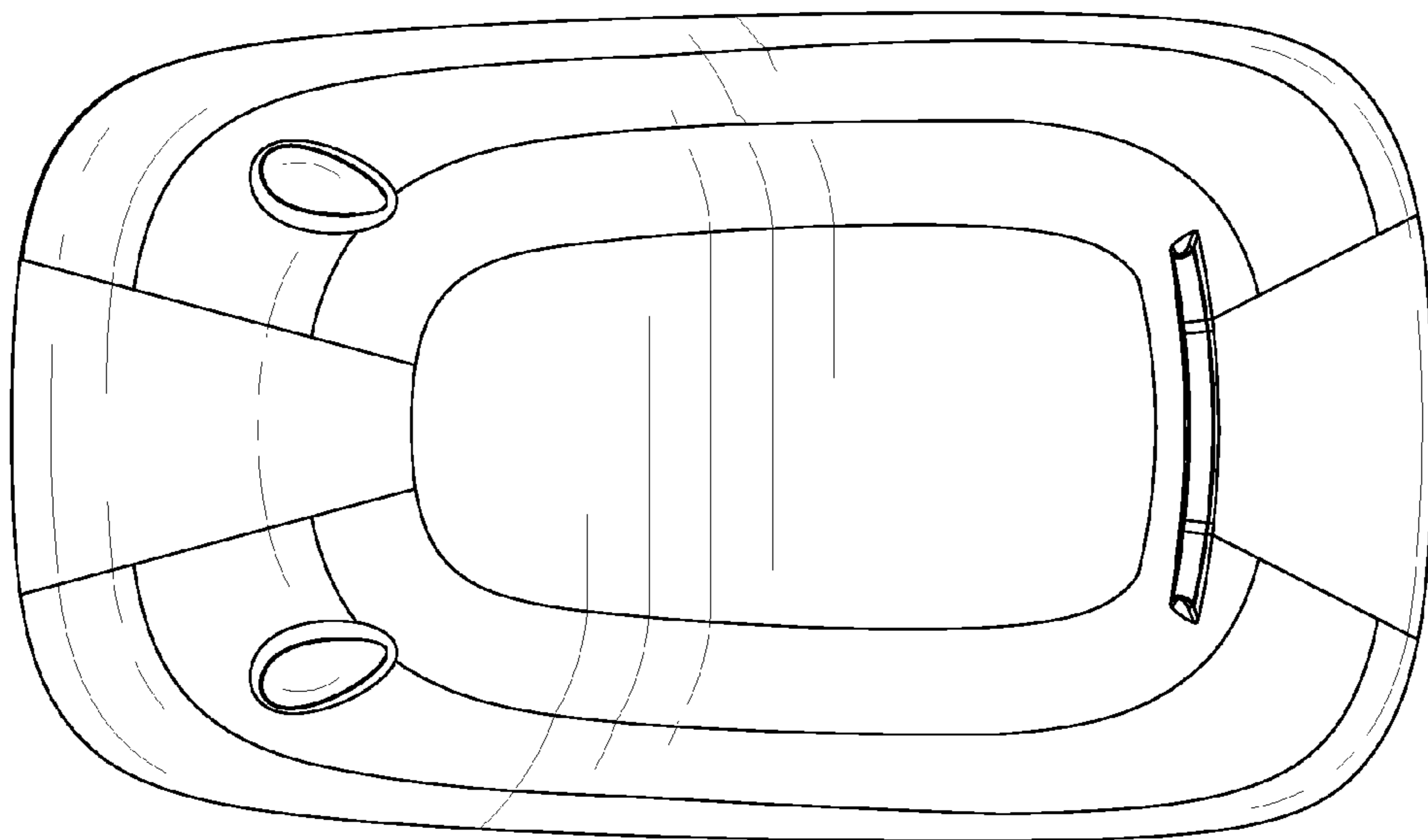


Fig-5

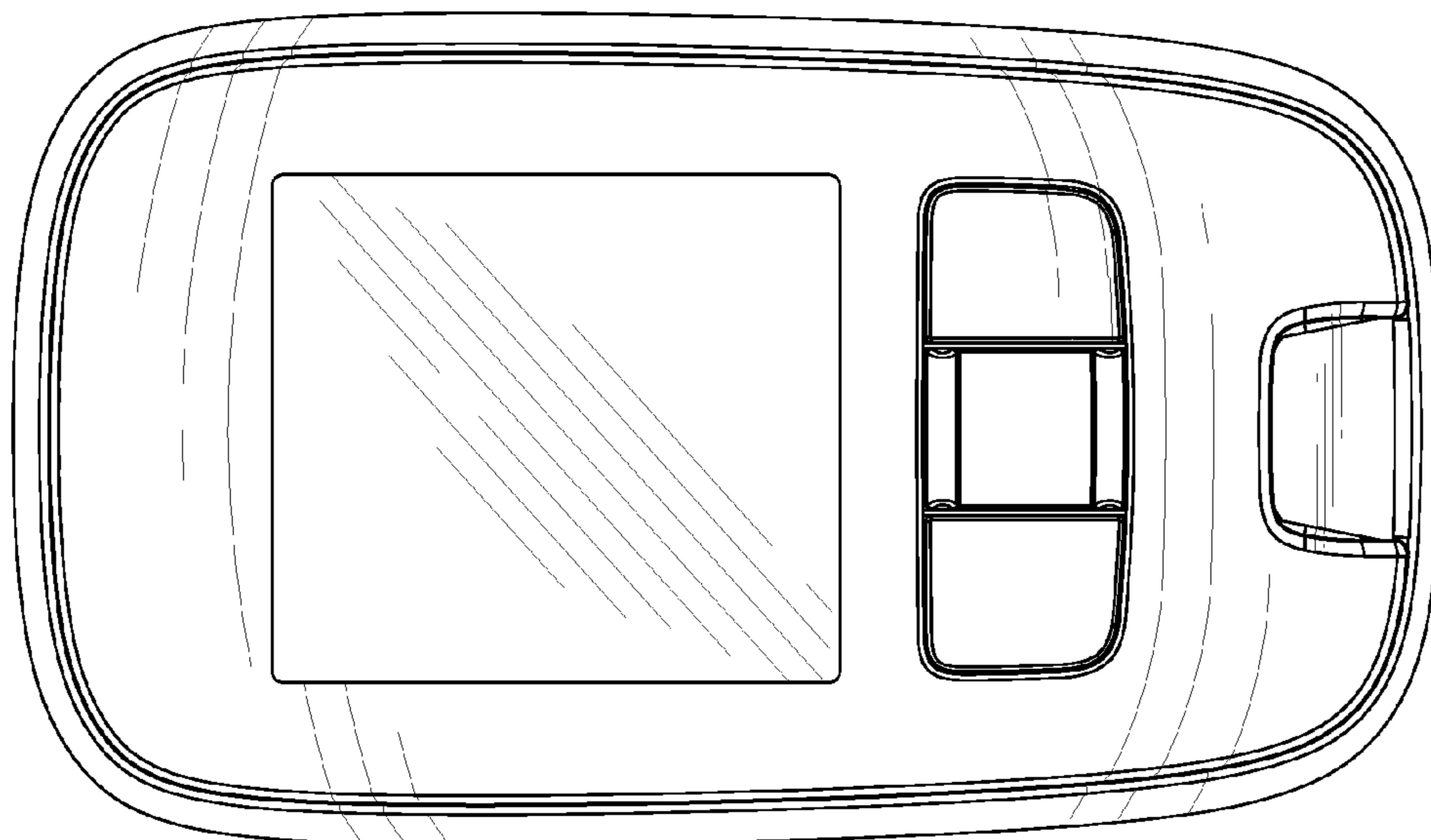


Fig-4

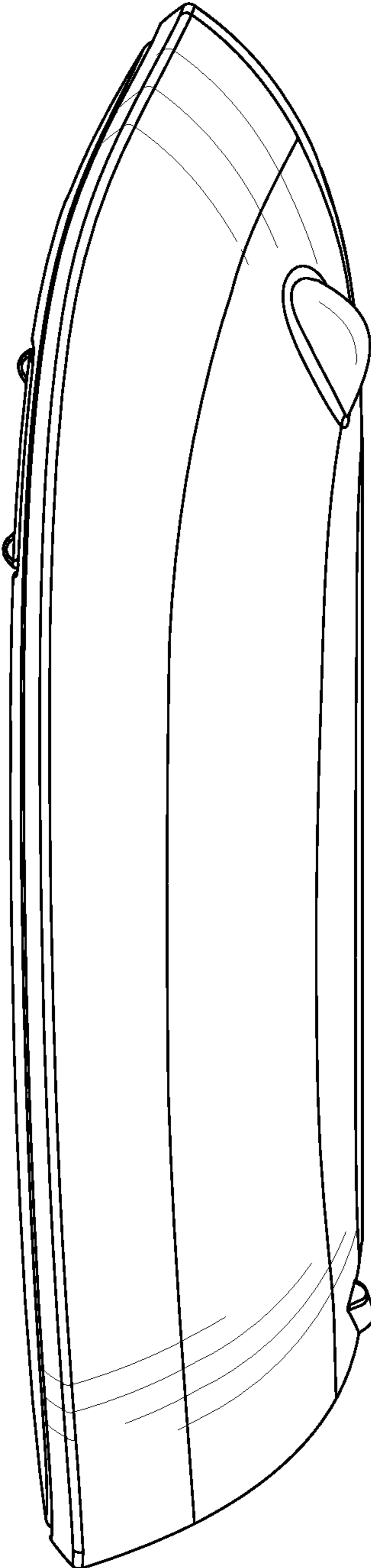


Fig-6