



US00D747486S

(12) **United States Design Patent**
Ishiwata

(10) **Patent No.:** **US D747,486 S**
(45) **Date of Patent:** **** Jan. 12, 2016**

- (54) **INTERBODY IMPLANT**
- (71) Applicant: **NANTO.PRECISION CO., LTD.**,
Numazu-shi, Shizuoka-ken (JP)
- (72) Inventor: **Teruo Ishiwata**, Numazu (JP)
- (73) Assignee: **NANTOH CO., LTD.**, Numazu-Shi,
Shizuoka-Ken (JP)
- (**) Term: **14 Years**
- (21) Appl. No.: **29/518,356**
- (22) Filed: **Feb. 23, 2015**

Related U.S. Application Data

- (62) Division of application No. 29/438,098, filed on Nov. 26, 2012, now Pat. No. Des. 735,337.
- (51) **LOC (10) Cl.** **24-02**
- (52) **U.S. Cl.**
USPC **D24/156**
- (58) **Field of Classification Search**
USPC D24/155-156, 176; D8/387; D15/21,
D15/28
CPC .. A61C 8/0089; A61C 8/0069; A61C 8/0054;
A61C 8/00; A61C 8/0096; A61C 8/0039;
A61C 8/0063; A61C 8/006; A61C 8/0001;
A61C 8/0012; A61C 8/0075; A61C 13/225
See application file for complete search history.

(56) **References Cited**

U.S. PATENT DOCUMENTS

5,368,160	A *	11/1994	Leuschen et al.	206/339
5,558,230	A *	9/1996	Fischer et al.	206/570
D446,859	S *	8/2001	Hurson	D24/156
D556,907	S *	12/2007	Rassoli	D24/156
D562,454	S *	2/2008	Rassoli	D24/156
D587,371	S *	2/2009	Purga et al.	D24/156

D587,373	S *	2/2009	Purga et al.	D24/156
D616,548	S *	5/2010	Fares et al.	D24/156
7,921,991	B2 *	4/2011	Sato et al.	206/63.5
8,083,054	B2 *	12/2011	Nihei et al.	206/63.5
D659,829	S *	5/2012	Nihei et al.	D24/156
8,292,075	B2 *	10/2012	Liao et al.	206/438
2004/0112781	A1 *	6/2004	Hofverberg et al.	206/438
2007/0295620	A1 *	12/2007	Collet et al.	206/63.5
2008/0261177	A1 *	10/2008	Ford et al.	433/174
2010/0227294	A1 *	9/2010	Takagi et al.	433/174
2010/0236947	A1 *	9/2010	Liao et al.	206/63.5
2010/0243485	A1 *	9/2010	Sato et al.	206/63.5

* cited by examiner

Primary Examiner — Susan Bennett Hattan

Assistant Examiner — Charles Hanson

(74) *Attorney, Agent, or Firm* — Plumsea Law Group, LLC

(57) **CLAIM**

The ornamental design for an interbody implant, as shown and described.

DESCRIPTION

FIG. 1 is a perspective view of an interbody implant showing an abutment only.

FIG. 2 is a front elevation view thereof. A rear elevation view is a mirror image of the front elevation view.

FIG. 3 is a left side elevation view thereof.

FIG. 4 is a right side elevation view thereof.

FIG. 5 is a top plan view thereof.

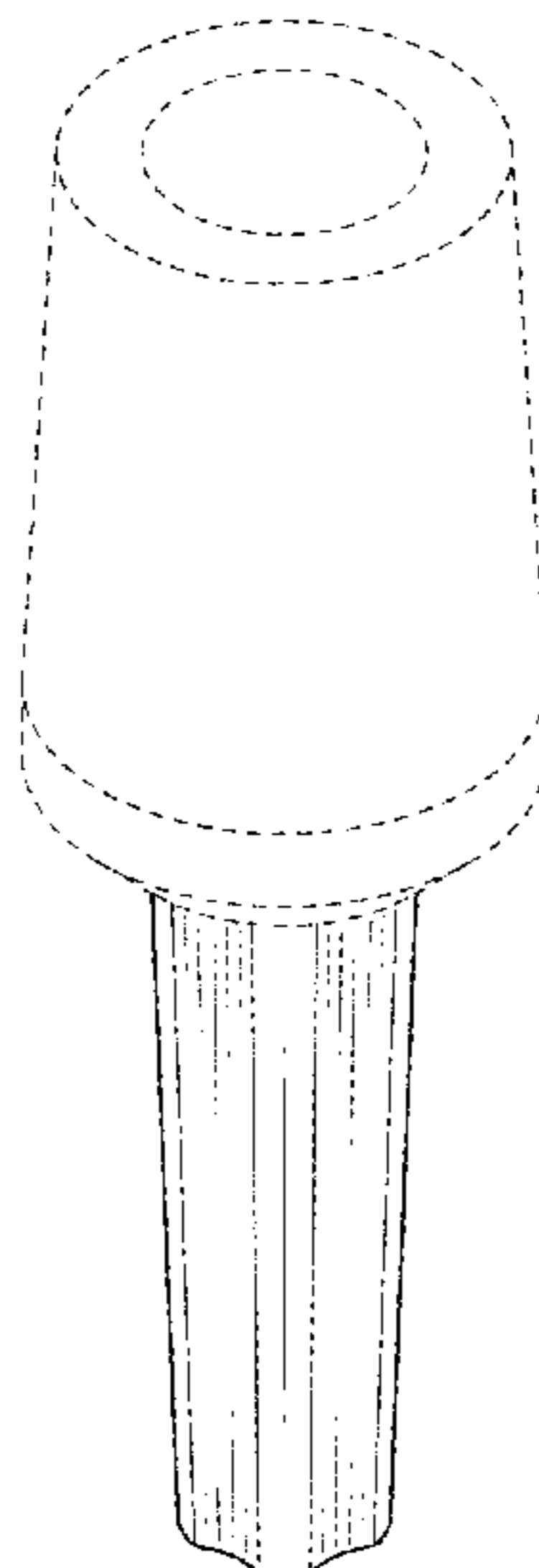
FIG. 6 is a bottom plan view thereof.

FIG. 7 is an enlarged cross-sectional view taken along 7-7 in FIG. 2.

FIG. 8 is a cross-sectional view taken along 8-8 in FIG. 6; and, FIG. 9 is a cross-sectional view taken along 9-9 in FIG. 6.

The portion of the interbody implant shown in broken lines is for the purpose of showing environmental structure only and forms no part of the claimed design.

1 Claim, 9 Drawing Sheets



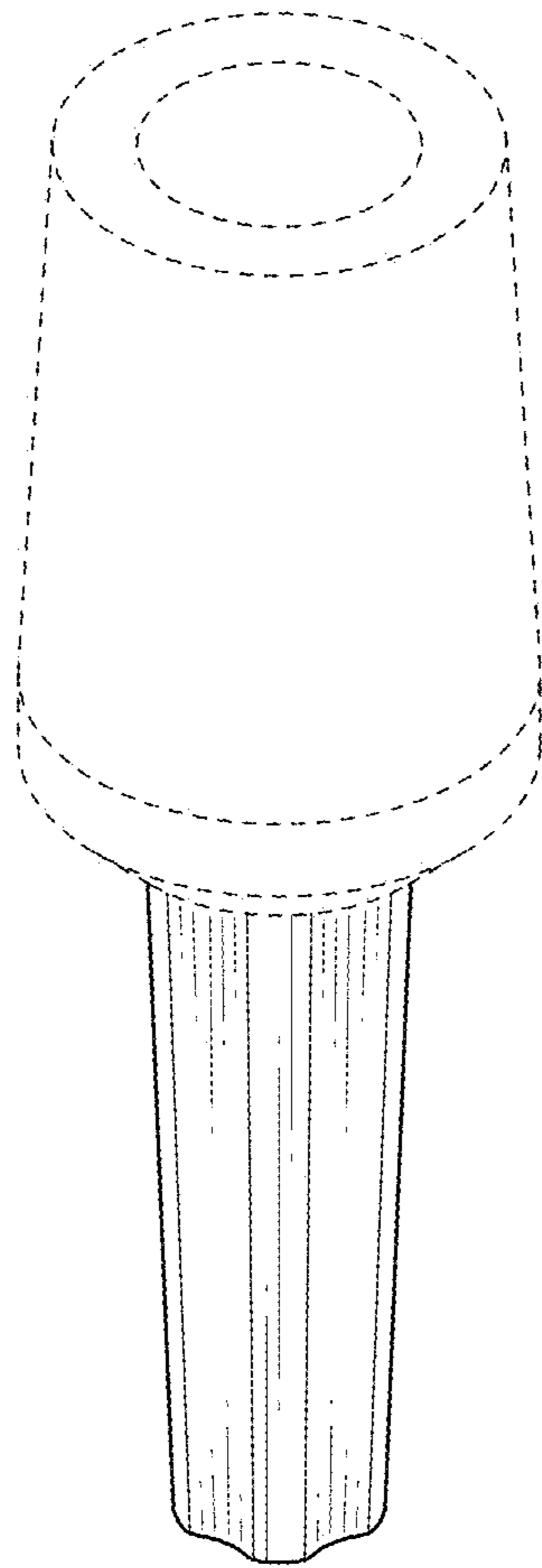


FIG. 1

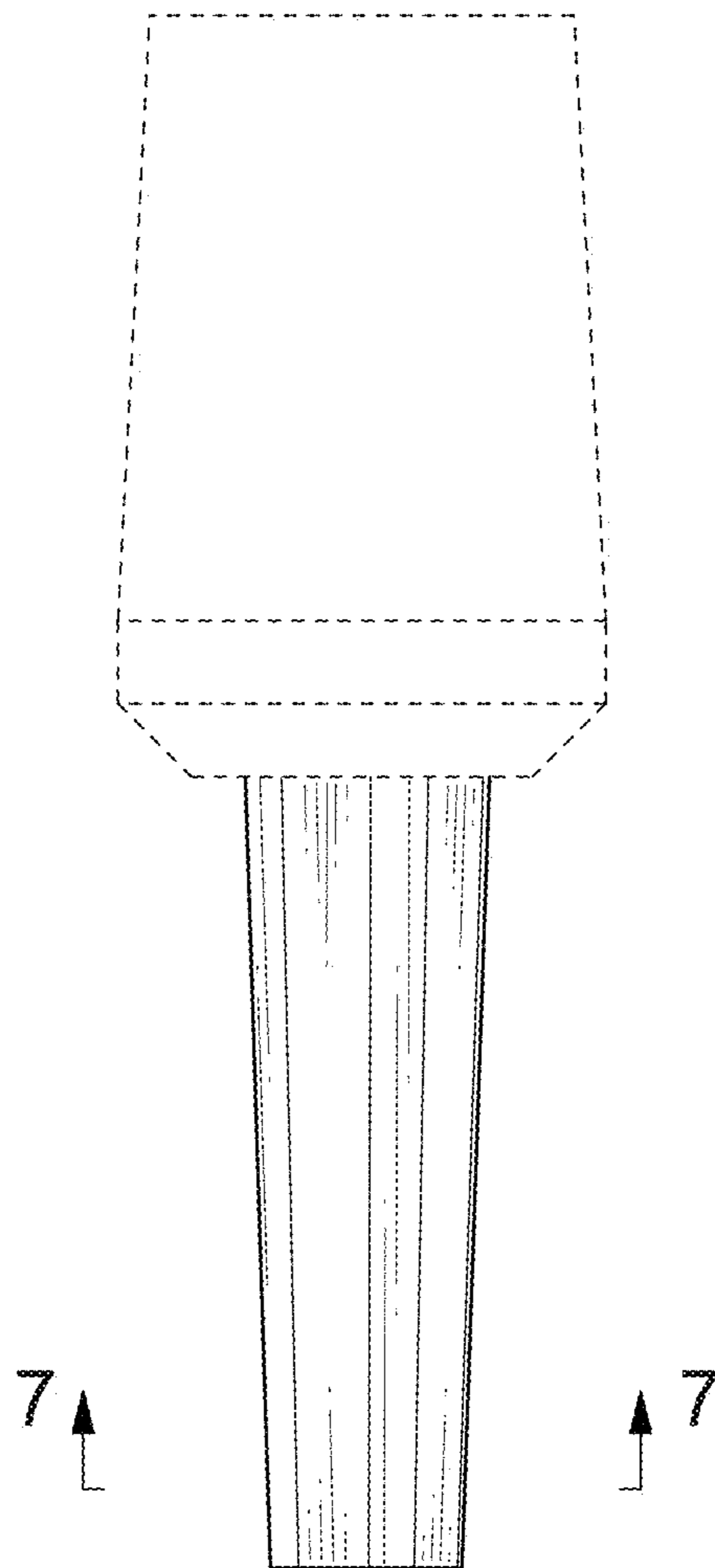


FIG. 2

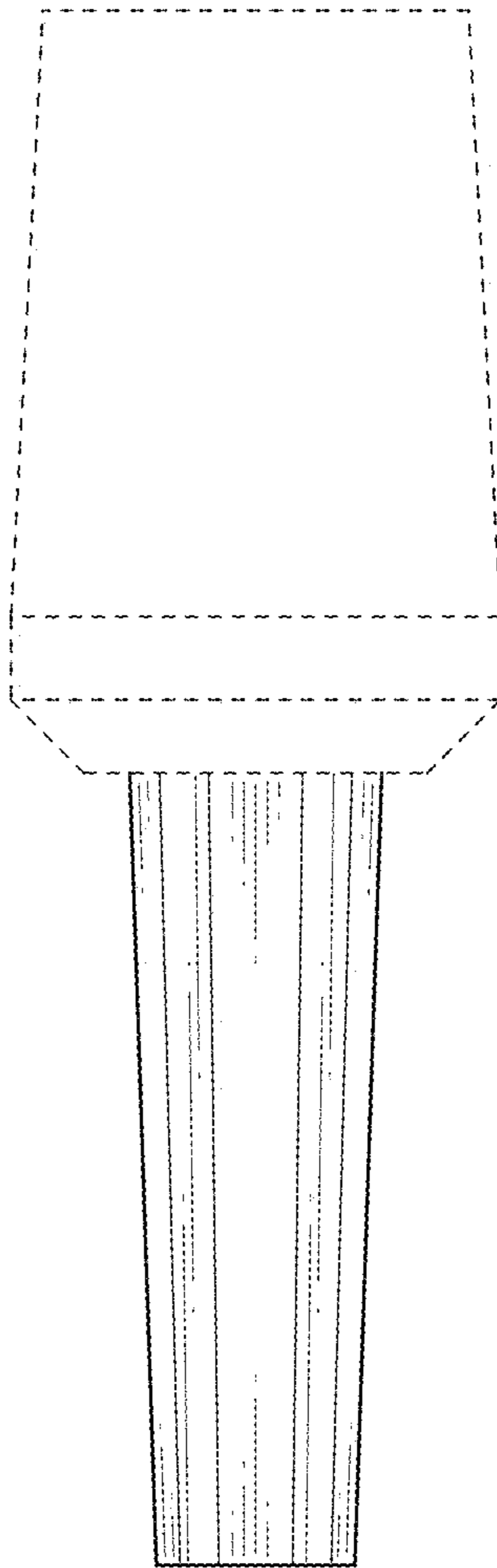


FIG. 3

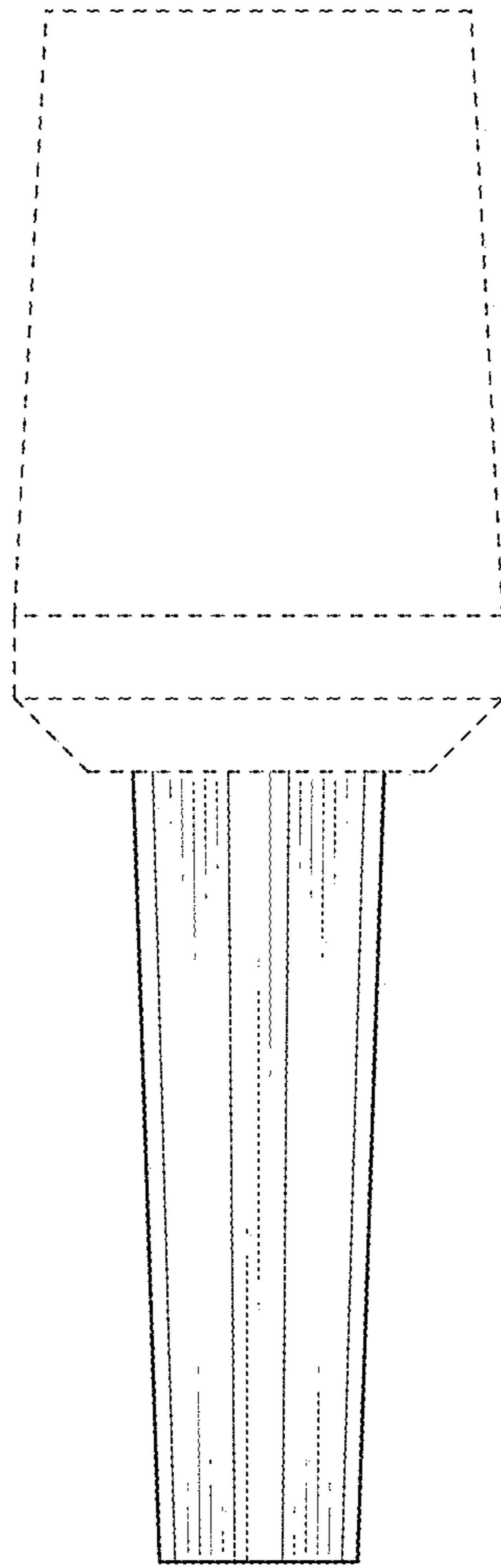


FIG. 4

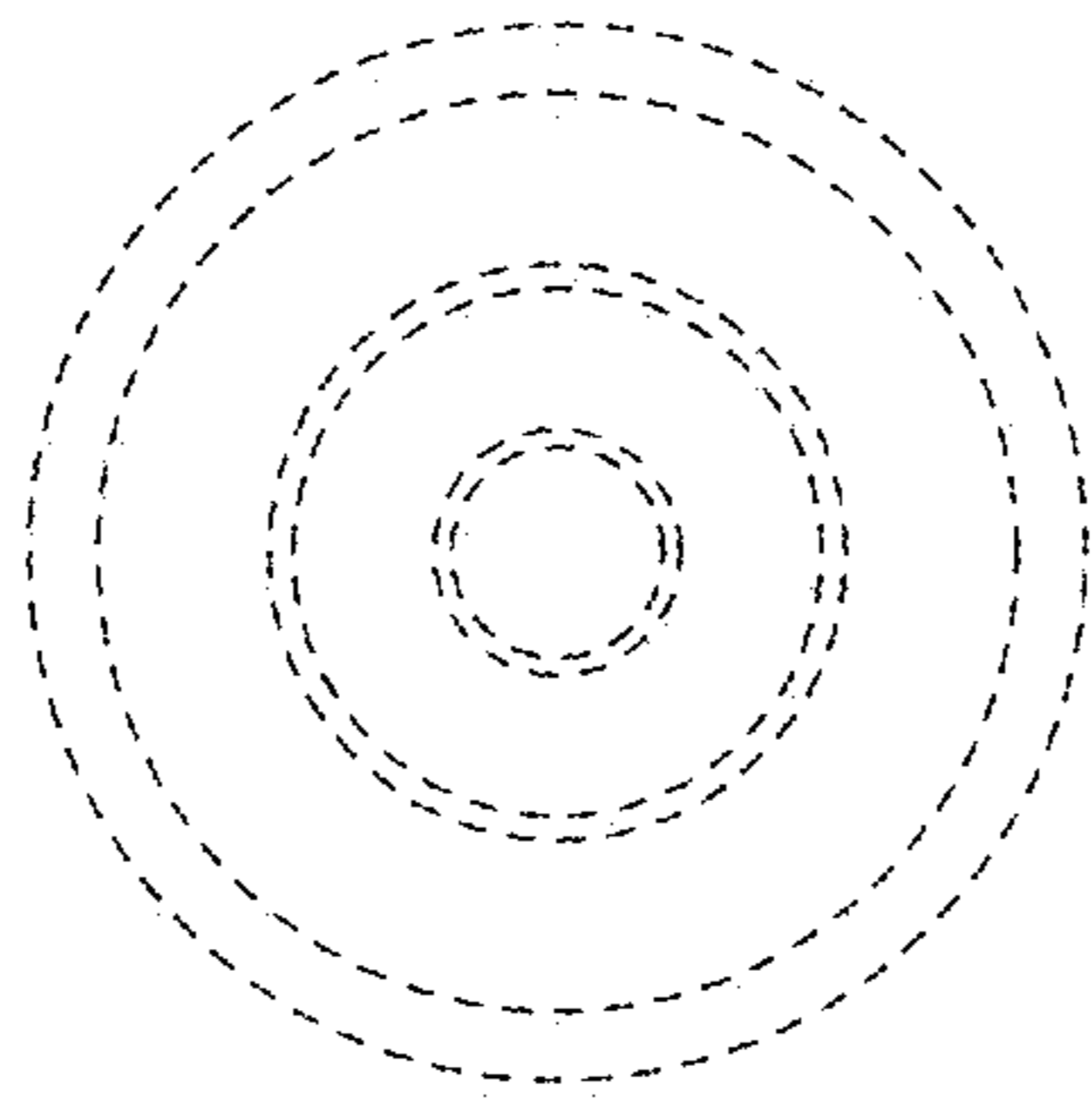


FIG. 5

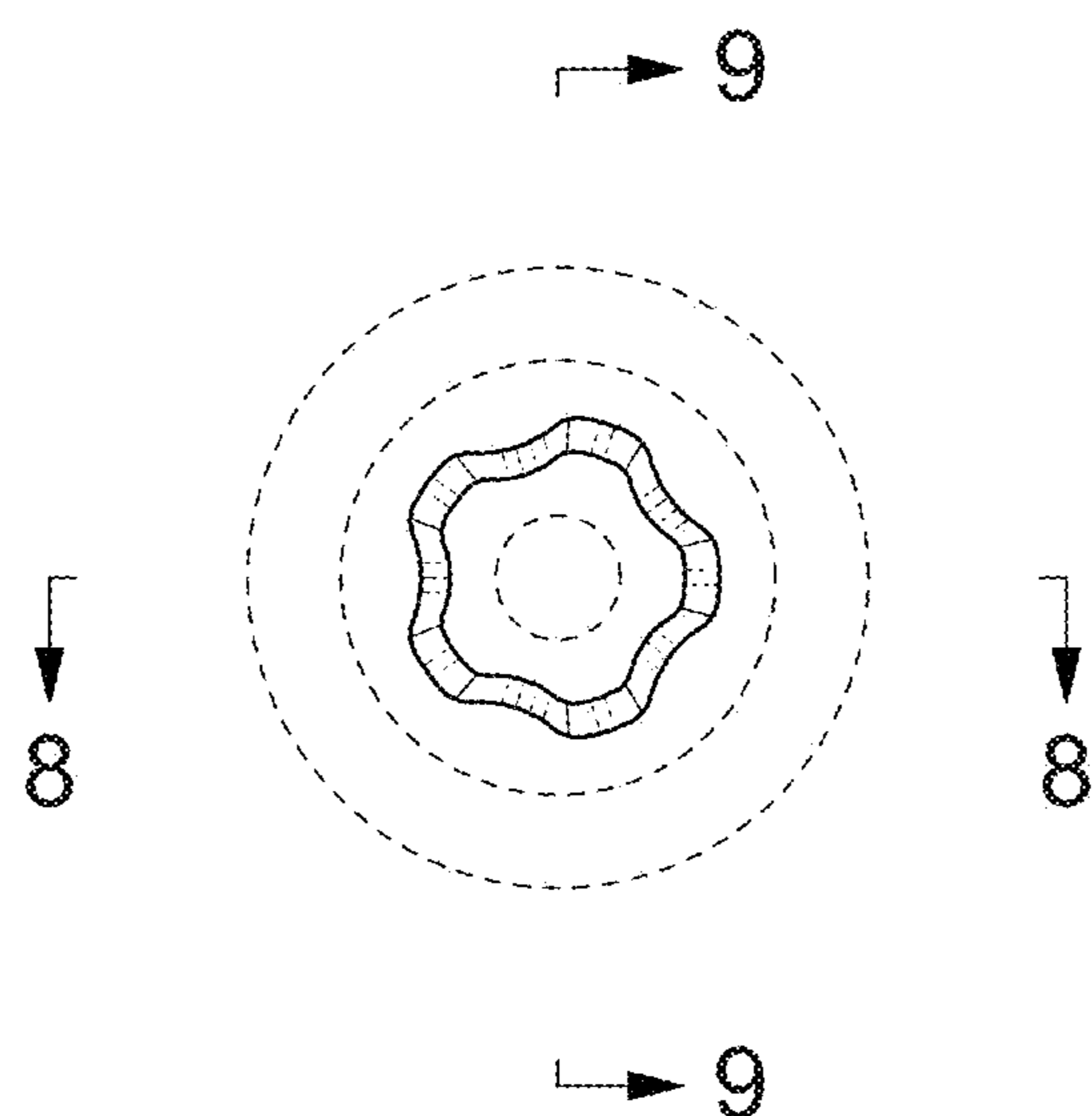


FIG. 6

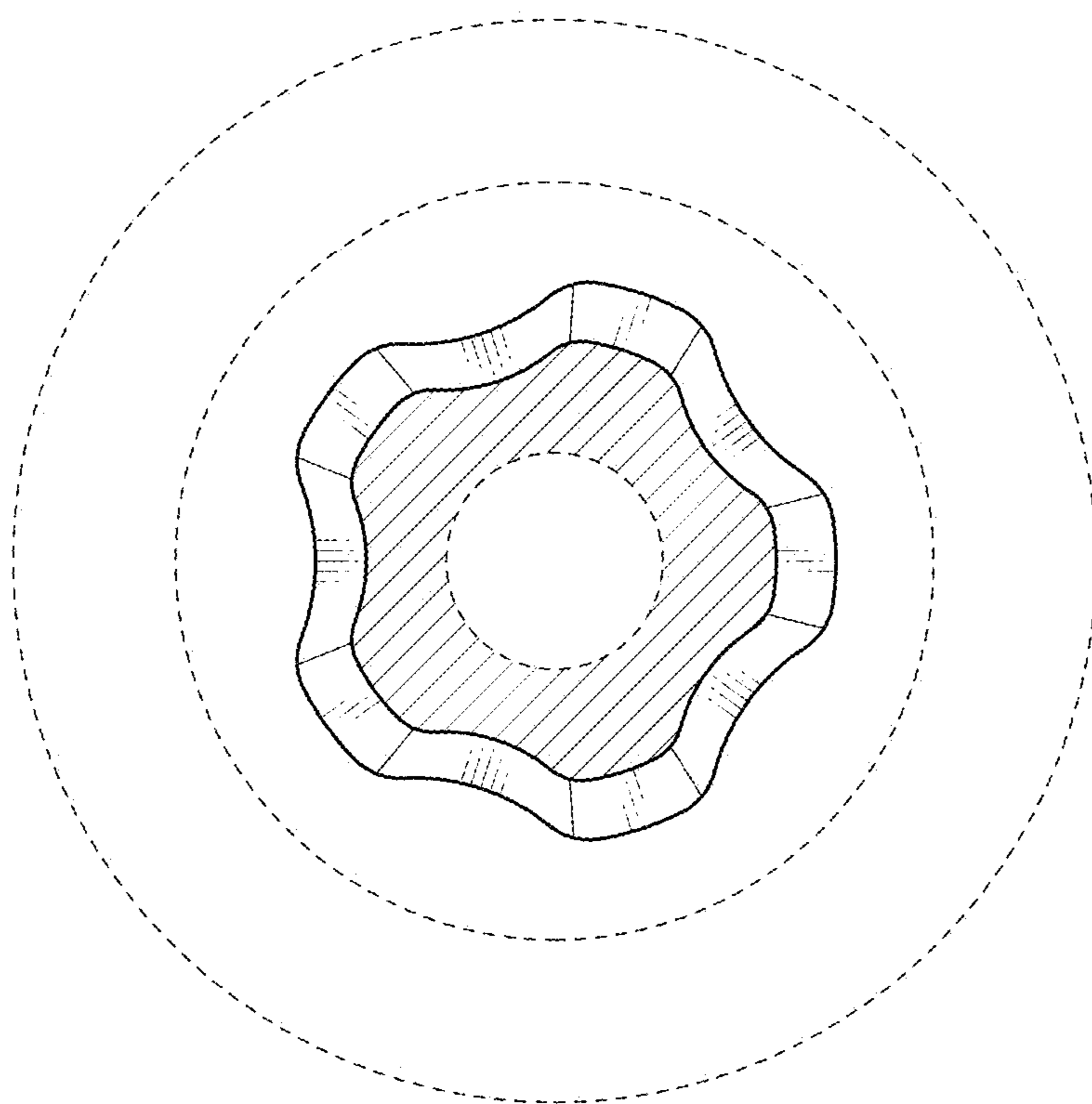


FIG. 7

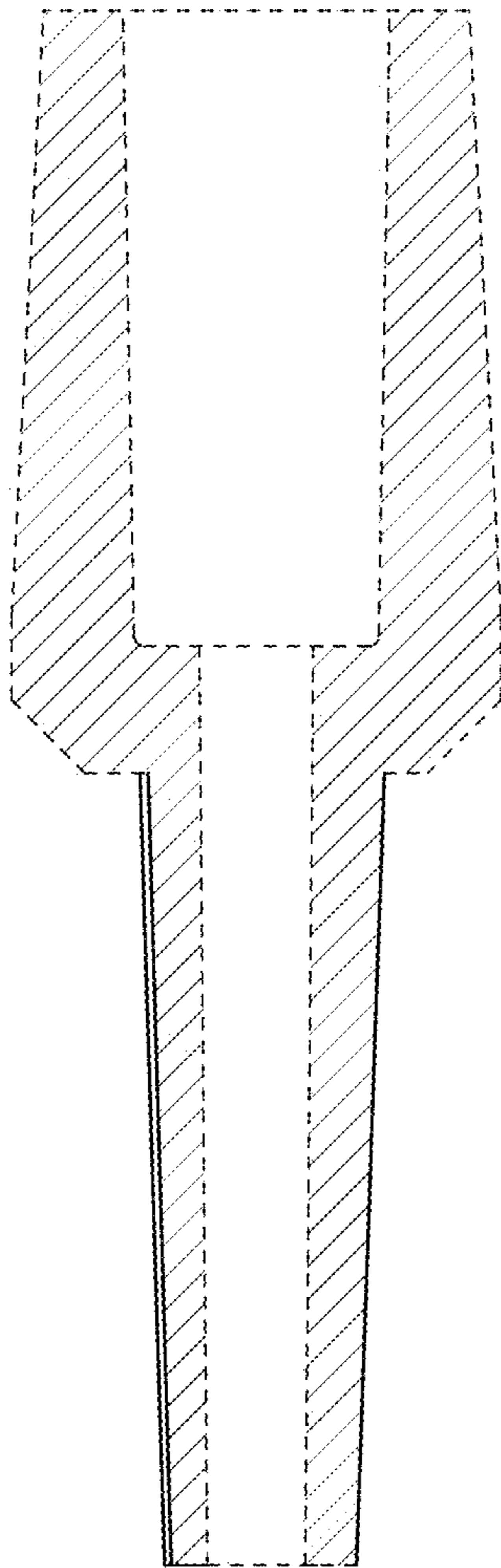


FIG. 8

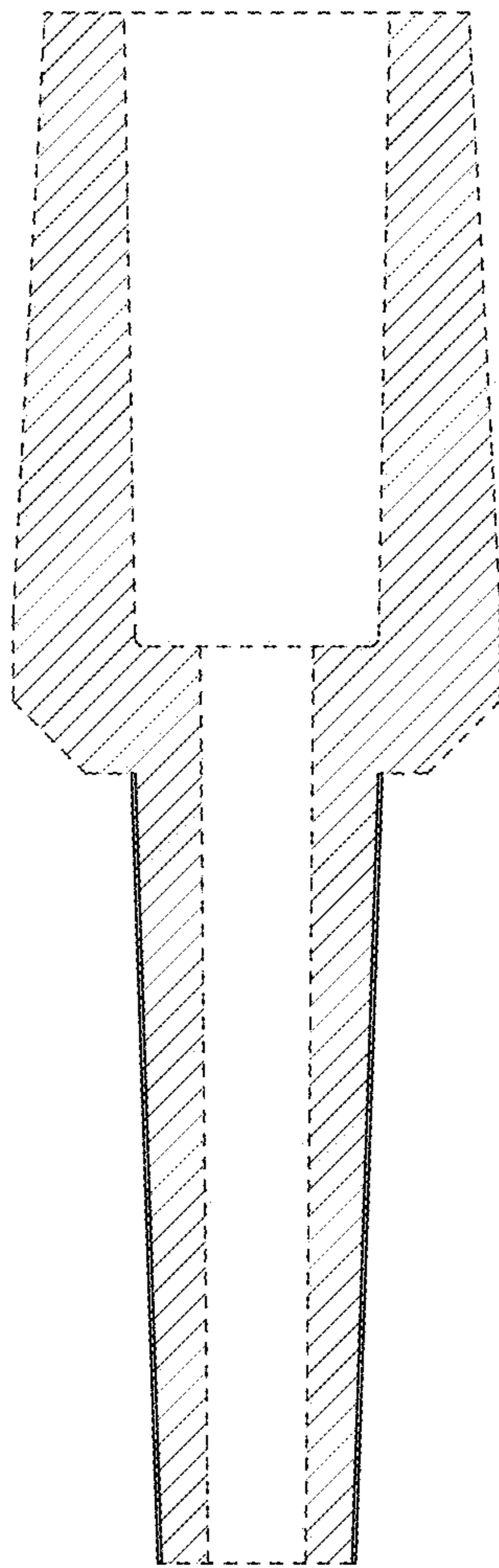


FIG. 9