



US00D747484S

(12) **United States Design Patent**  
**Schiffman et al.**

(10) **Patent No.:** **US D747,484 S**  
(45) **Date of Patent:** **\*\* \*Jan. 12, 2016**

(54) **SPINAL FUSION DOWEL**

(71) Applicant: **NuTech Spine, Inc.**, Birmingham, AL (US)

(72) Inventors: **Jeffrey S. Schiffman**, Rancho Santa Fe, CA (US); **Robert K. Eastlack**, San Diego, CA (US); **Richard S. Maly**, San Diego, CA (US); **Howard P. Walthall, Jr.**, Birmingham, AL (US)

(73) Assignee: **NUTECH SPINE, INC.**, Birmingham, AL (US)

(\*) Notice: This patent is subject to a terminal disclaimer.

(\*\*) Term: **14 Years**

(21) Appl. No.: **29/443,995**

(22) Filed: **Jan. 24, 2013**

(51) **LOC (10) Cl.** ..... **24-02**

(52) **U.S. Cl.**  
USPC ..... **D24/155**

(58) **Field of Classification Search**  
USPC ..... D24/155, 133, 135; 623/17.15, 17.16, 623/17.12; 604/500; 606/61, 86 A, 247, 279  
See application file for complete search history.

(56) **References Cited**

**U.S. PATENT DOCUMENTS**

6,008,433	A *	12/1999	Stone	.....	623/20.14
D444,878	S *	7/2001	Walter	.....	D24/155
D445,188	S *	7/2001	Walter	.....	D24/155
6,823,871	B2 *	11/2004	Schmieding	.....	128/898
D524,443	S *	7/2006	Blain	.....	D24/155
D541,940	S *	5/2007	Blain	.....	D24/155
D611,147	S *	3/2010	Hanson et al.	.....	D24/155
D615,653	S *	5/2010	Horton	.....	D24/155
D623,748	S *	9/2010	Horton et al.	.....	D24/155

D623,749	S *	9/2010	Horton et al.	.....	D24/155
D627,468	S *	11/2010	Richter et al.	.....	D24/155
D631,967	S *	2/2011	Horton	.....	D24/155
7,892,261	B2 *	2/2011	Bonutti	.....	606/279
D650,481	S *	12/2011	Gottlieb et al.	.....	D24/155
D653,757	S *	2/2012	Binder	.....	D24/155
D674,900	S *	1/2013	Janice et al.	.....	D24/155
D677,791	S *	3/2013	Danacioglu et al.	.....	D24/155
D681,205	S *	4/2013	Farris et al.	.....	D24/155
2003/0105526	A1 *	6/2003	Bryant et al.	.....	623/16.11
2006/0015184	A1 *	1/2006	Winterbottom et al.	...	623/18.11
2012/0143334	A1 *	6/2012	Boyce et al.	.....	623/16.11
2013/0144389	A1 *	6/2013	Bonutti	.....	623/17.16

\* cited by examiner

*Primary Examiner* — Ian Simmons

*Assistant Examiner* — Charles Hanson

(74) *Attorney, Agent, or Firm* — C. Brandon Browning; Maynard Cooper and Gale, P.C.

(57) **CLAIM**

The ornamental design for a spinal fusion dowel, as shown and described.

**DESCRIPTION**

FIG. 1 is a perspective view of a spinal fusion dowel in accordance with a preferred embodiment of the present invention.

FIG. 2 is a top plan view of the spinal fusion dowel of FIG. 1. FIG. 3 is a bottom plan view of the spinal fusion dowel of FIG. 1.

FIG. 4 is an elevational view of a first lateral side of the spinal fusion dowel of FIG. 1.

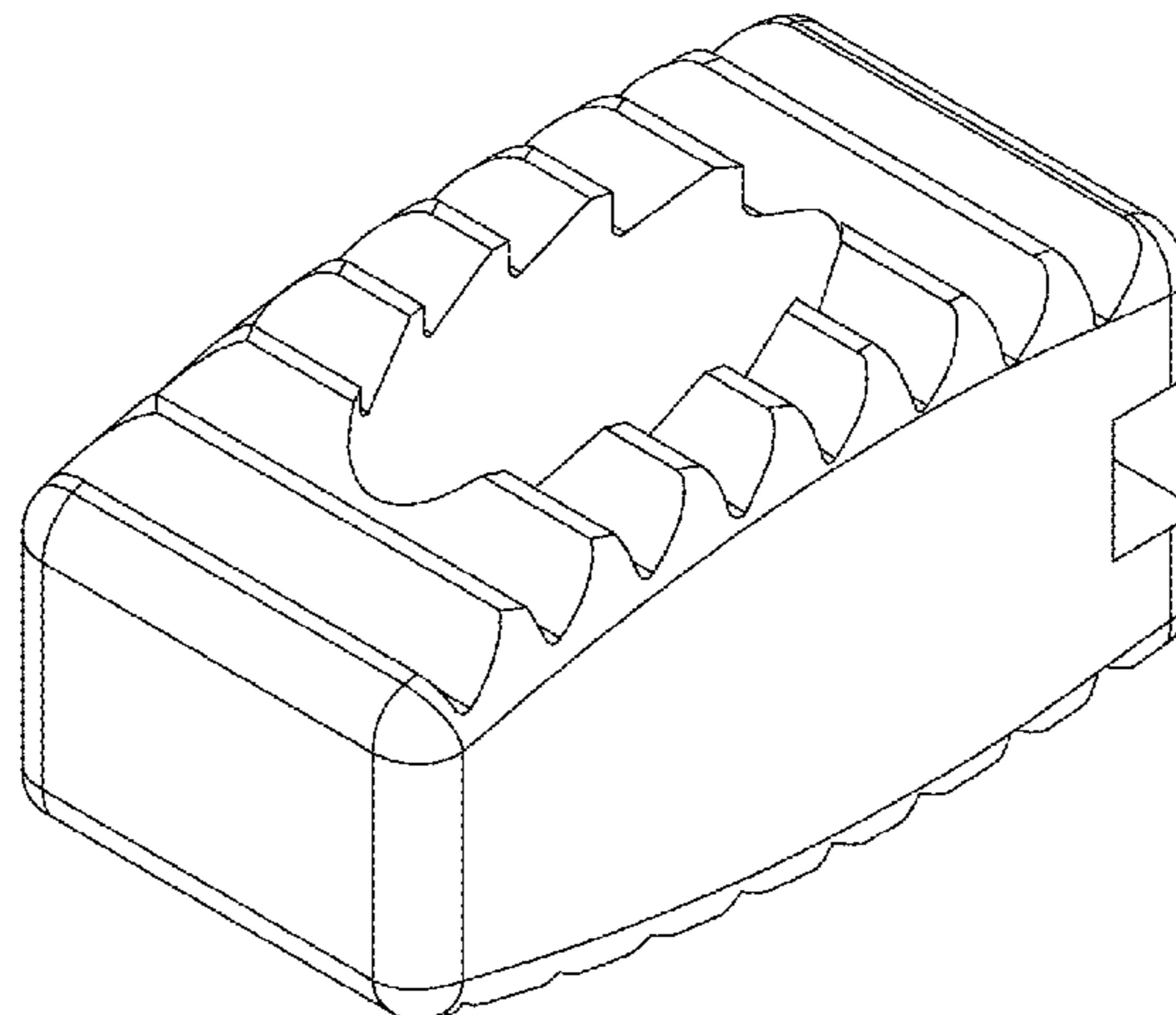
FIG. 5 is an elevational view of a second lateral side of the spinal fusion dowel of FIG. 1.

FIG. 6 is an elevational view of a first end of the spinal fusion dowel of FIG. 1; and,

FIG. 7 is an elevational view of a second end of the spinal fusion dowel of FIG. 1.

The broken line showing forms no part of the claimed design.

**1 Claim, 4 Drawing Sheets**



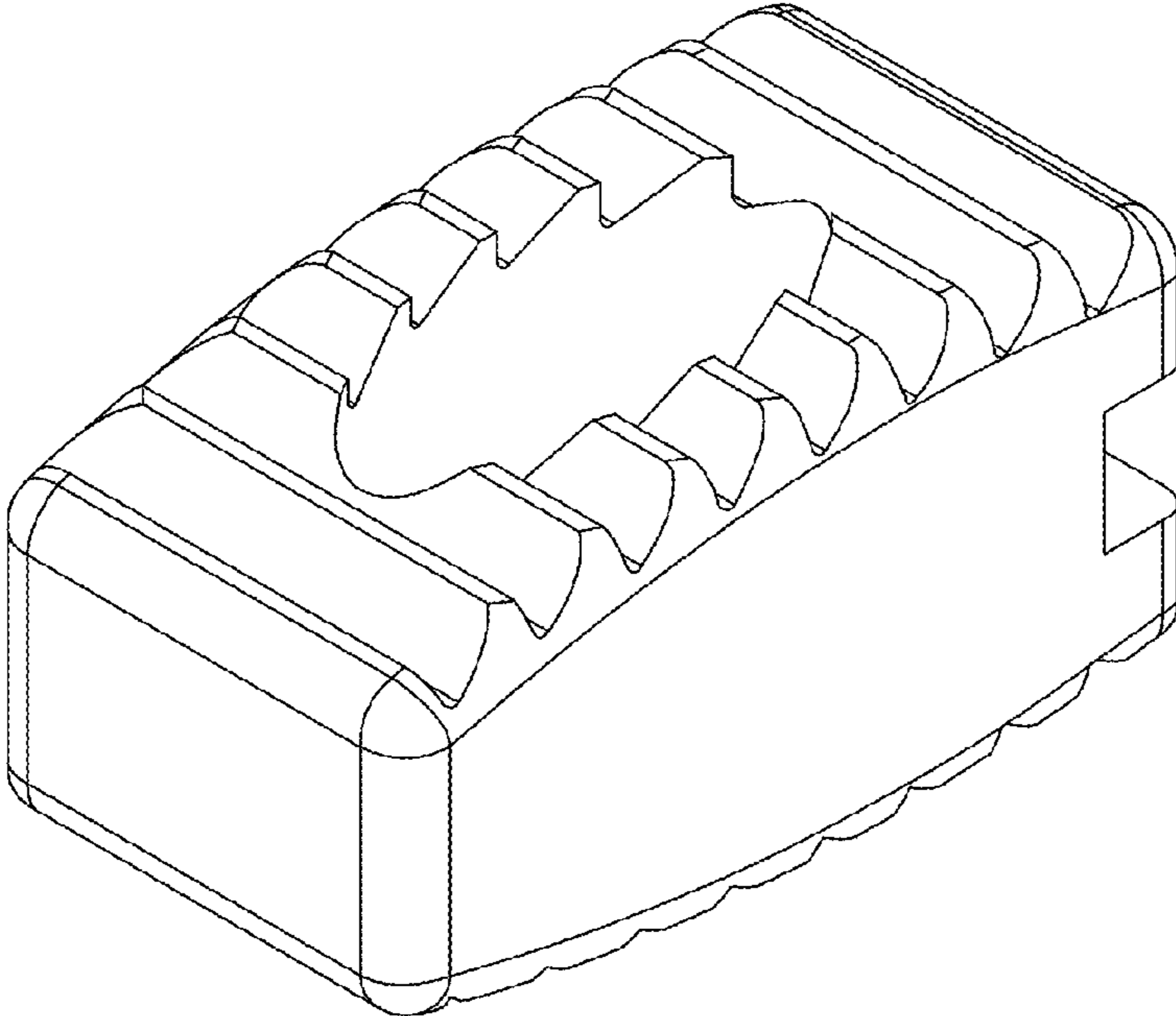


FIG. 1

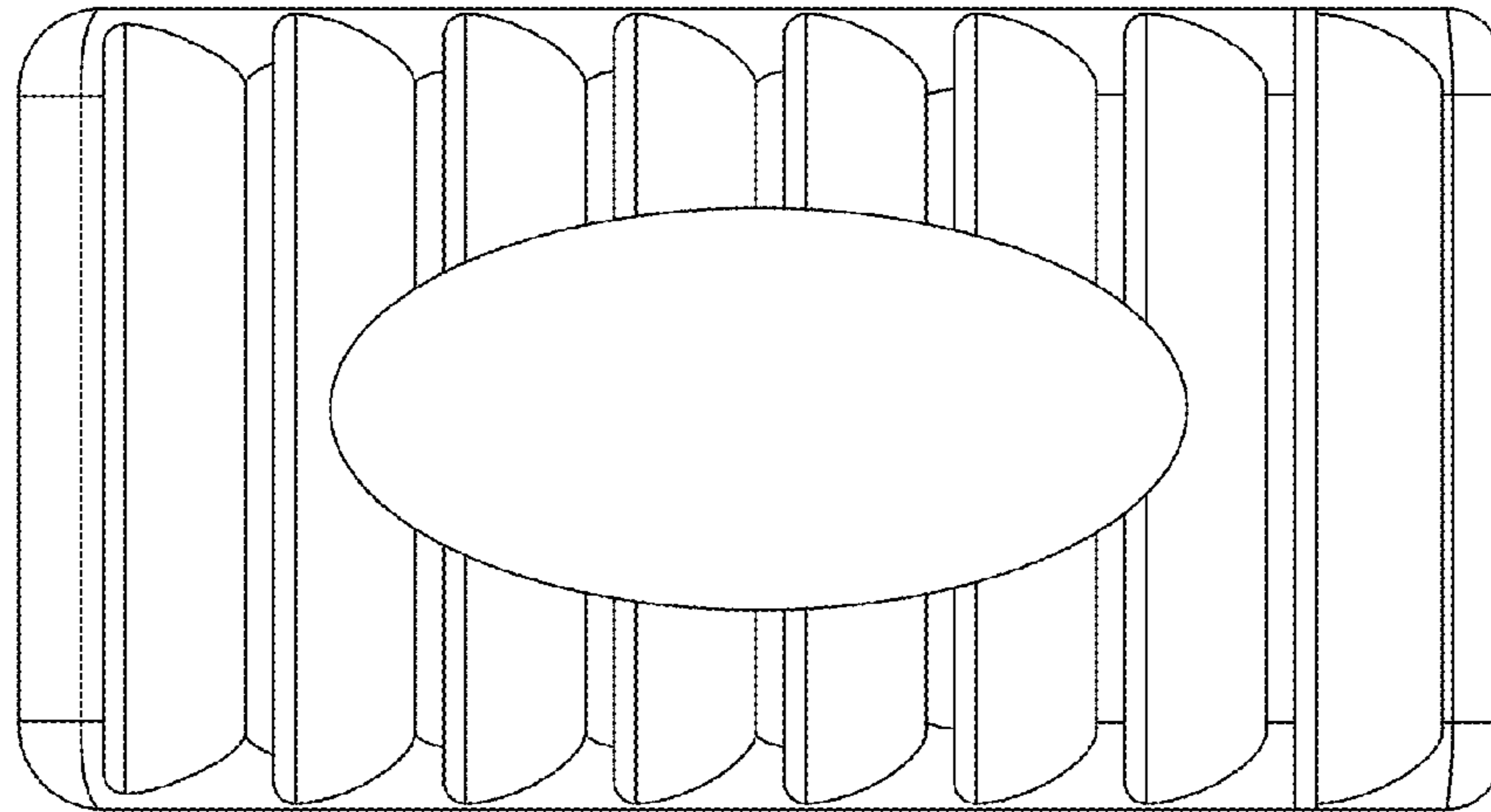


FIG. 2

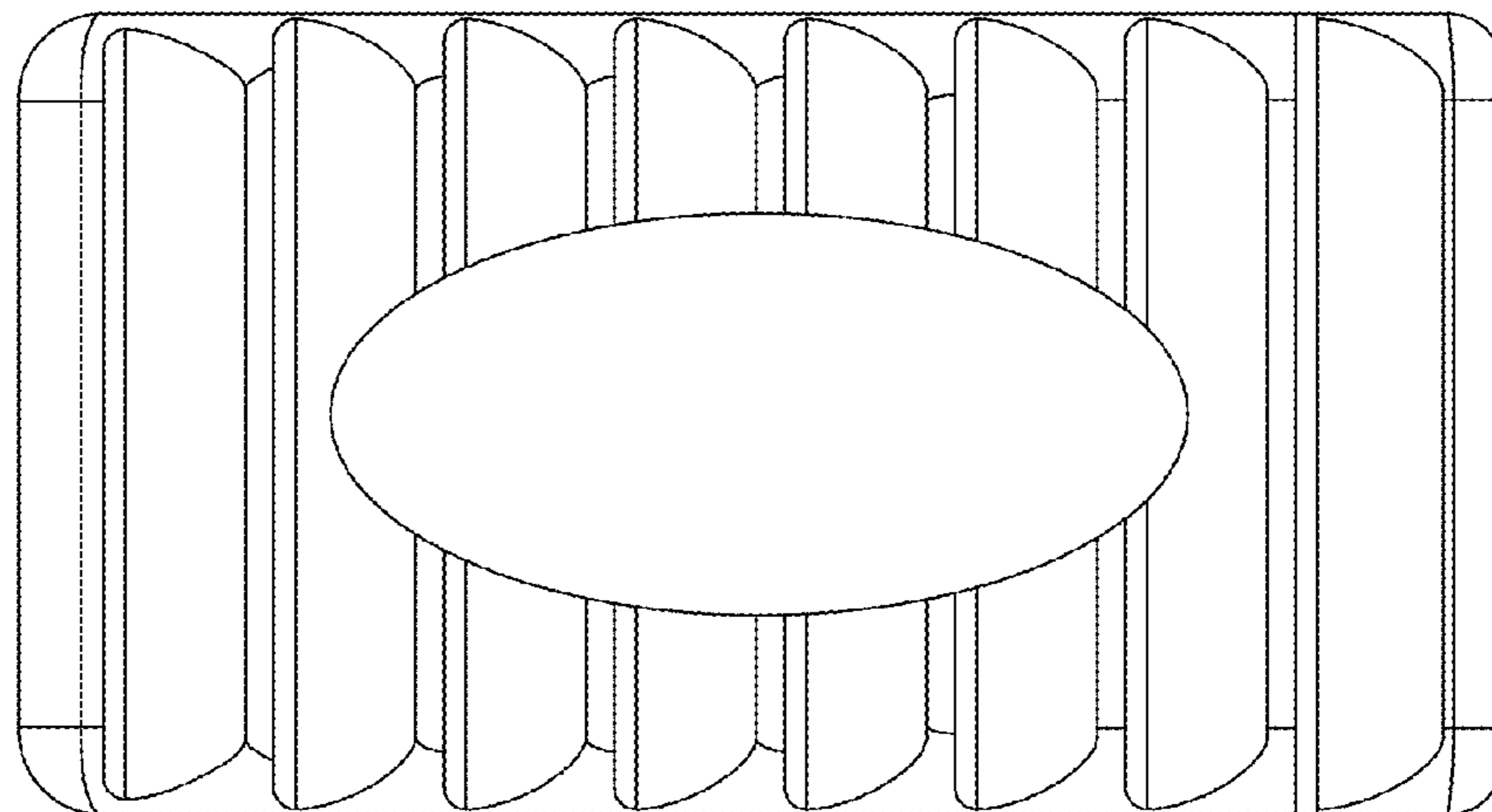


FIG. 3

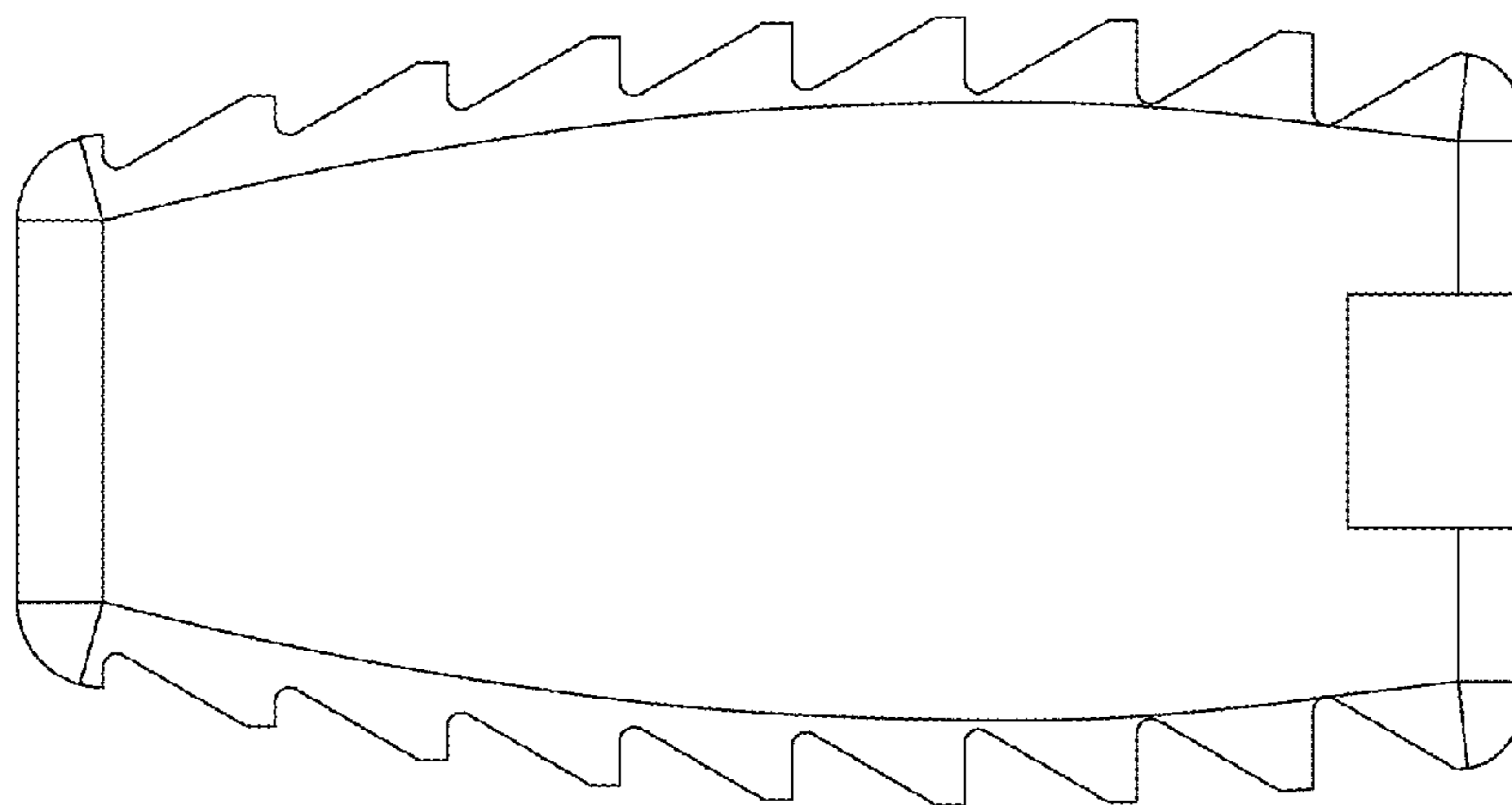


FIG. 4

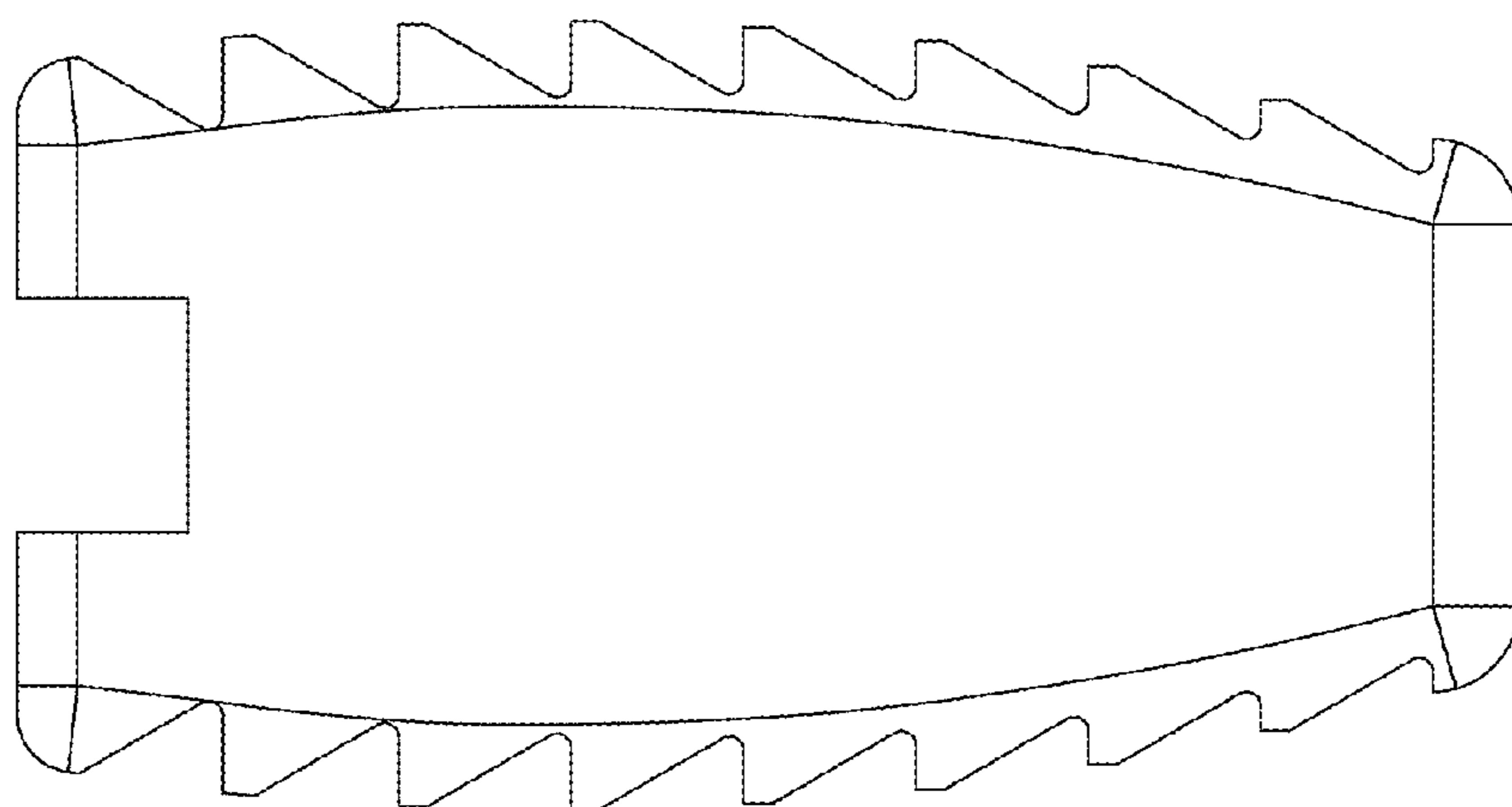


FIG. 5

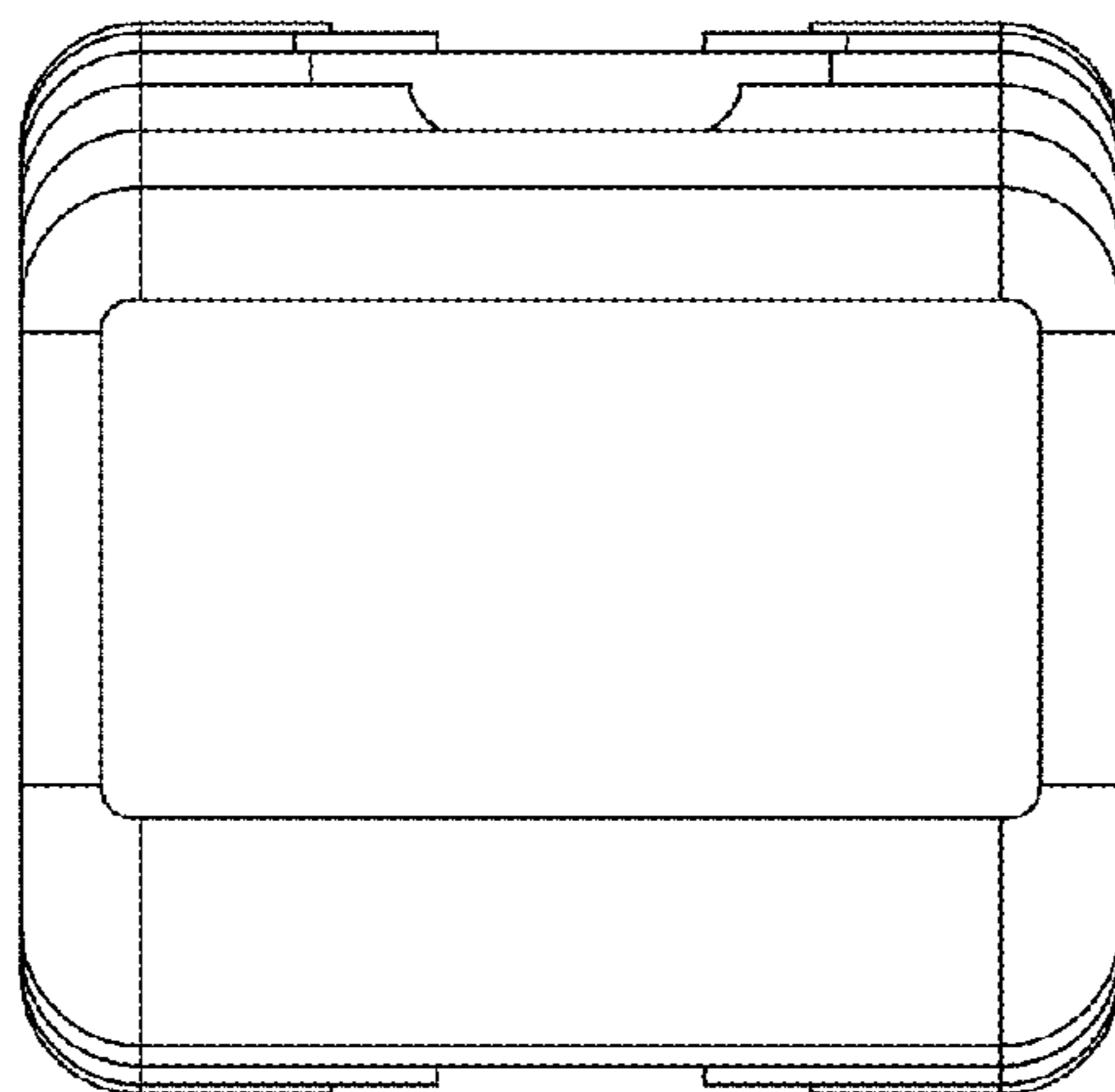


FIG. 6

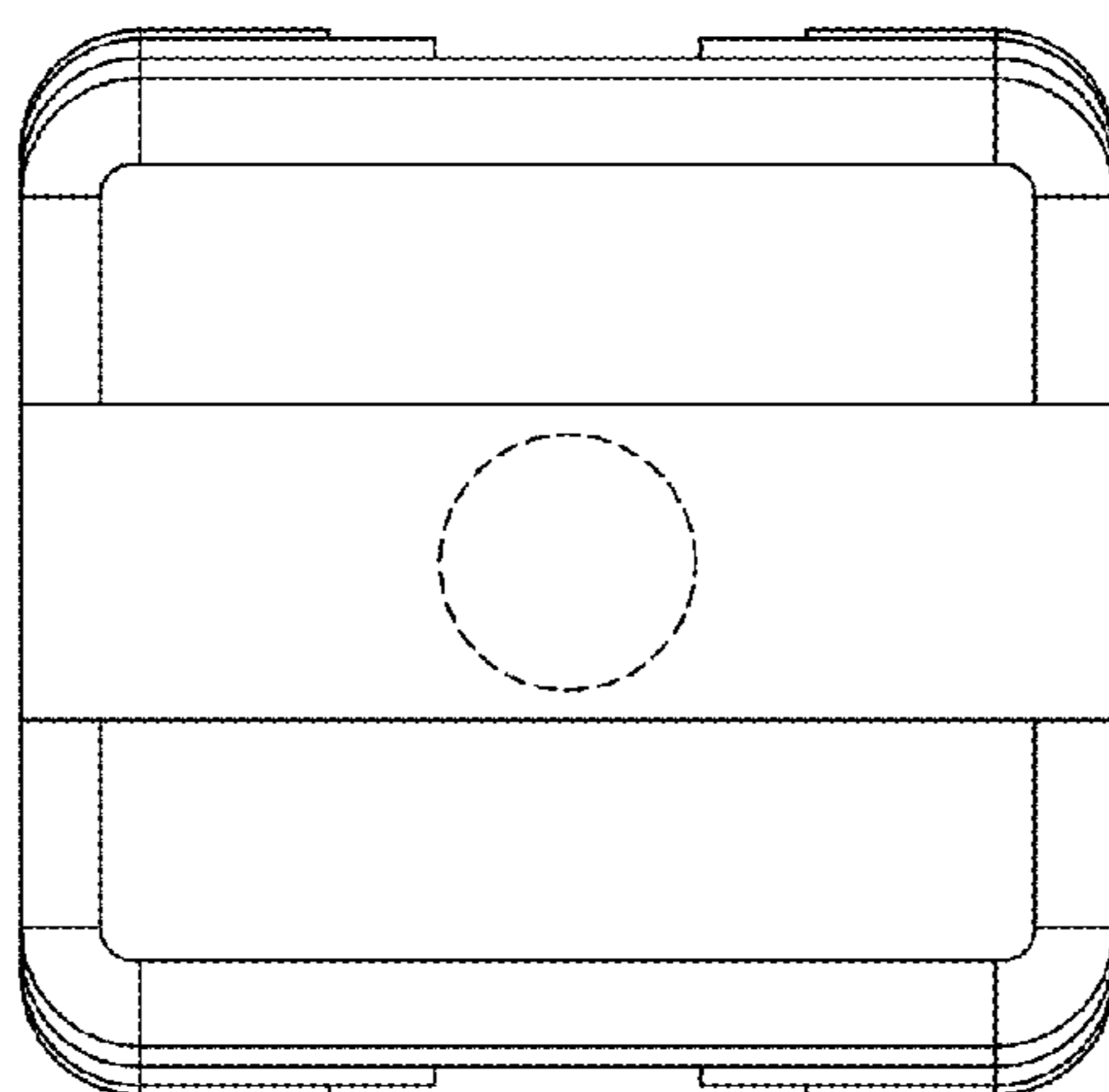


FIG. 7