



US00D747483S

(12) **United States Design Patent**
Nilsson et al.

(10) **Patent No.:** **US D747,483 S**
(45) **Date of Patent:** **** Jan. 12, 2016**

(54) **BALANCE FEEDBACK DEVICE**
(75) Inventors: **Daniel Nilsson**, Minneapolis, MN (US);
Lars Oddsson, Edina, MN (US); **Dan Leach**, Edina, MN (US)

(73) Assignee: **RxFunction, Inc.**, Edina, MN (US)

(**) Term: **14 Years**

(21) Appl. No.: **29/419,937**

(22) Filed: **May 3, 2012**

(51) **LOC (10) Cl.** **24-02**

(52) **U.S. Cl.**
USPC **D24/155**

(58) **Field of Classification Search**
USPC D24/155-156; D3/215, 218; 600/587,
600/595; 607/48, 144; D10/32
CPC A61F 2/80; A61F 2/60; A61F 2/76;
A61F 2/68; A61F 2/64; A61F 2220/0025;
A61F 2220/41; A61F 2002/607; A61F
2002/802; A61F 2002/5007
See application file for complete search history.

(56) **References Cited**

U.S. PATENT DOCUMENTS

4,745,930	A	5/1988	Confer	128/779
D382,995	S *	9/1997	Hale	D3/215
5,678,448	A	10/1997	Fullen et al.	73/172
6,174,294	B1	1/2001	Crabb et al.	600/592
D496,155	S *	9/2004	Londono	D3/215

D536,867	S *	2/2007	Sexson	D3/218
D537,623	S *	3/2007	Dennis et al.	D3/218
D625,204	S *	10/2010	Kimura	D10/32
D637,918	S *	5/2011	Cobbett et al.	D10/31
D640,143	S *	6/2011	Virgili	D10/32
8,209,036	B2 *	6/2012	Nathan et al.	607/144
8,556,830	B2 *	10/2013	Sherman et al.	600/587
8,597,210	B2 *	12/2013	Sherman et al.	600/595
8,694,110	B2 *	4/2014	Nathan et al.	607/48
D724,556	S *	3/2015	Choi et al.	D14/138 R

* cited by examiner

Primary Examiner — Susan Bennett Hattan

Assistant Examiner — Charles Hanson

(74) *Attorney, Agent, or Firm* — Davis, Brown, Koehn,
Shors & Roberts, P.C.; Sean D. Solberg

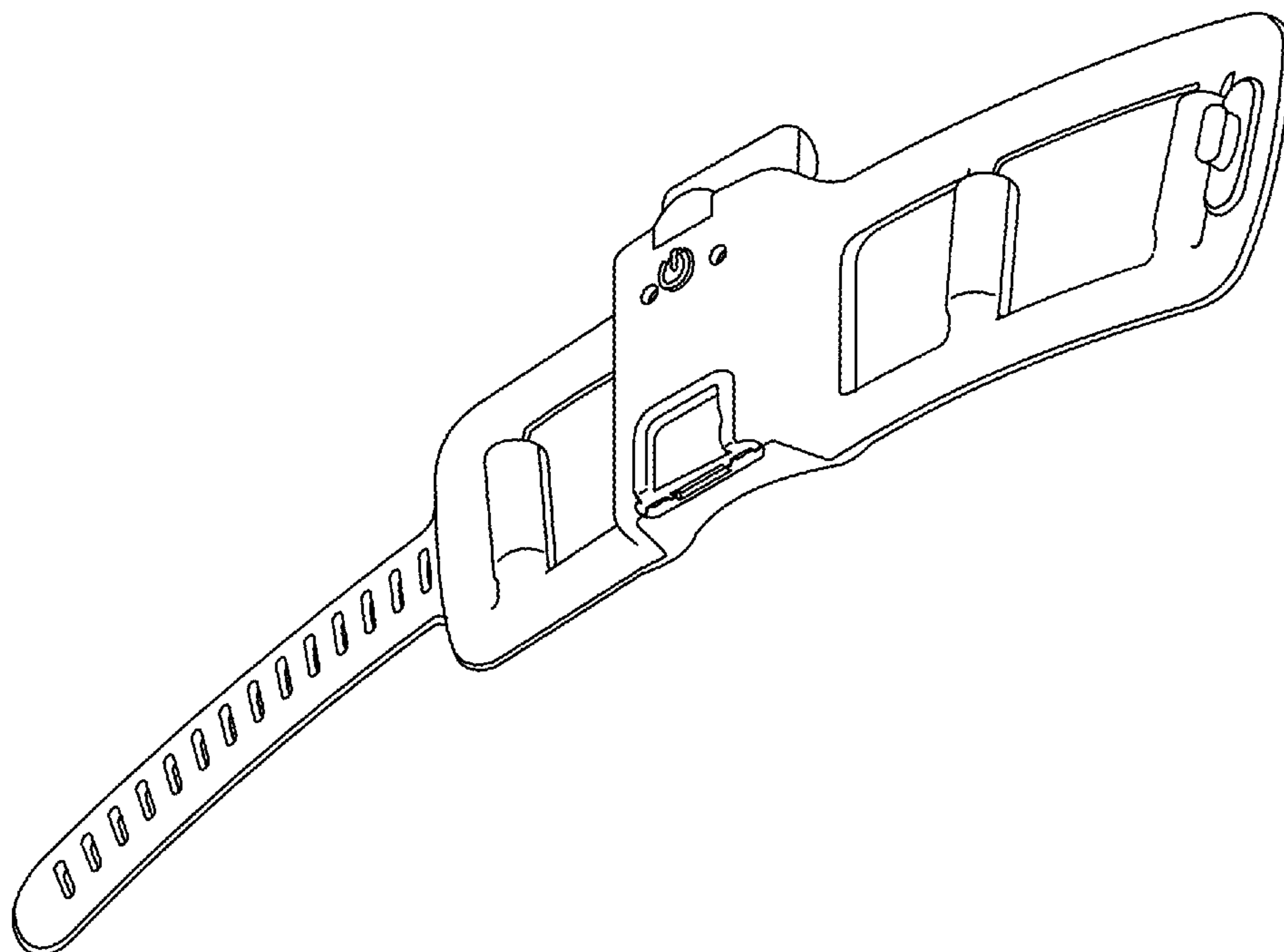
(57) **CLAIM**

The ornamental design for a balance feedback device, as shown and described.

DESCRIPTION

FIG. 1 is a perspective view of the balance feedback device.
FIG. 2 is a top view of the balance feedback device.
FIG. 3 is a perspective view of the balance feedback device.
FIG. 4 is a side view the balance feedback device.
FIG. 5 is a back view of the balance feedback device.
FIG. 6 is a side view of the balance feedback device.
FIG. 7 is a perspective view of the balance feedback device.
FIG. 8 is a bottom view the balance feedback device; and,
FIG. 9 is a perspective view the balance feedback device.

1 Claim, 9 Drawing Sheets



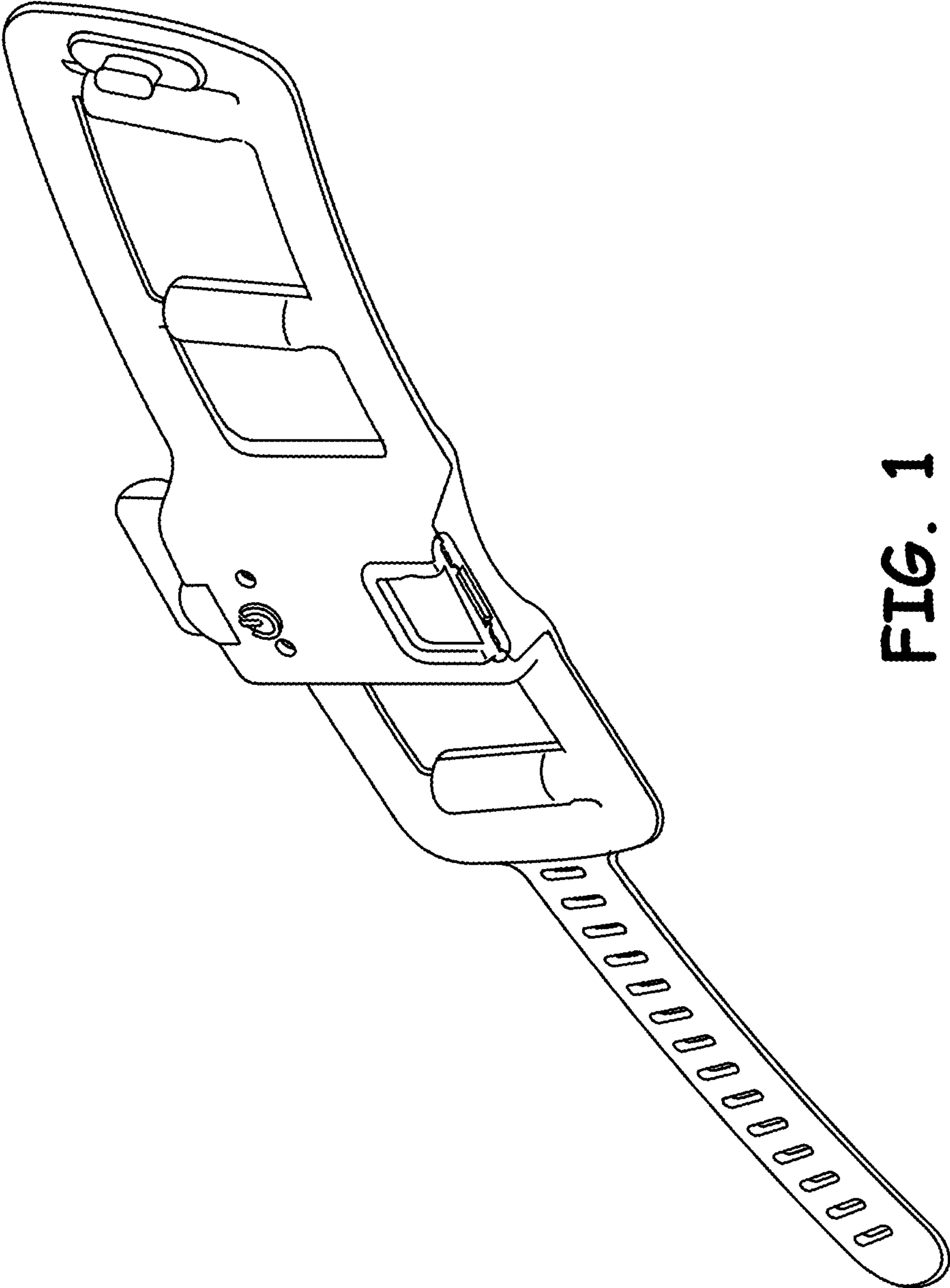


FIG. 1

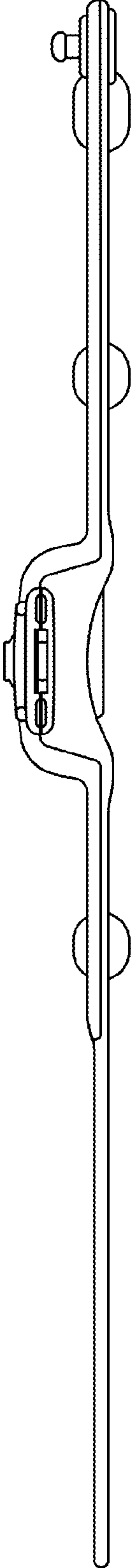


FIG. 2

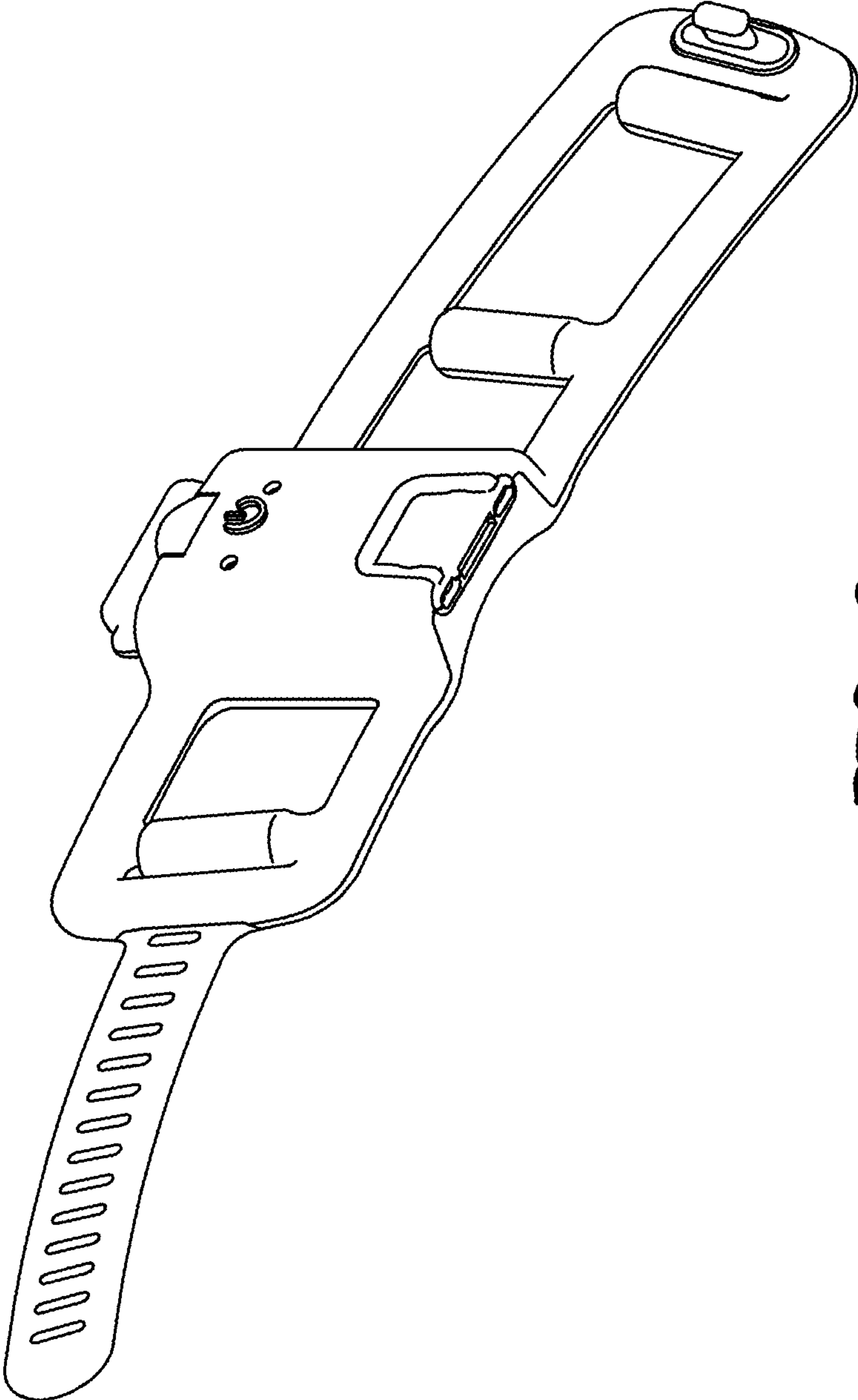


FIG. 3

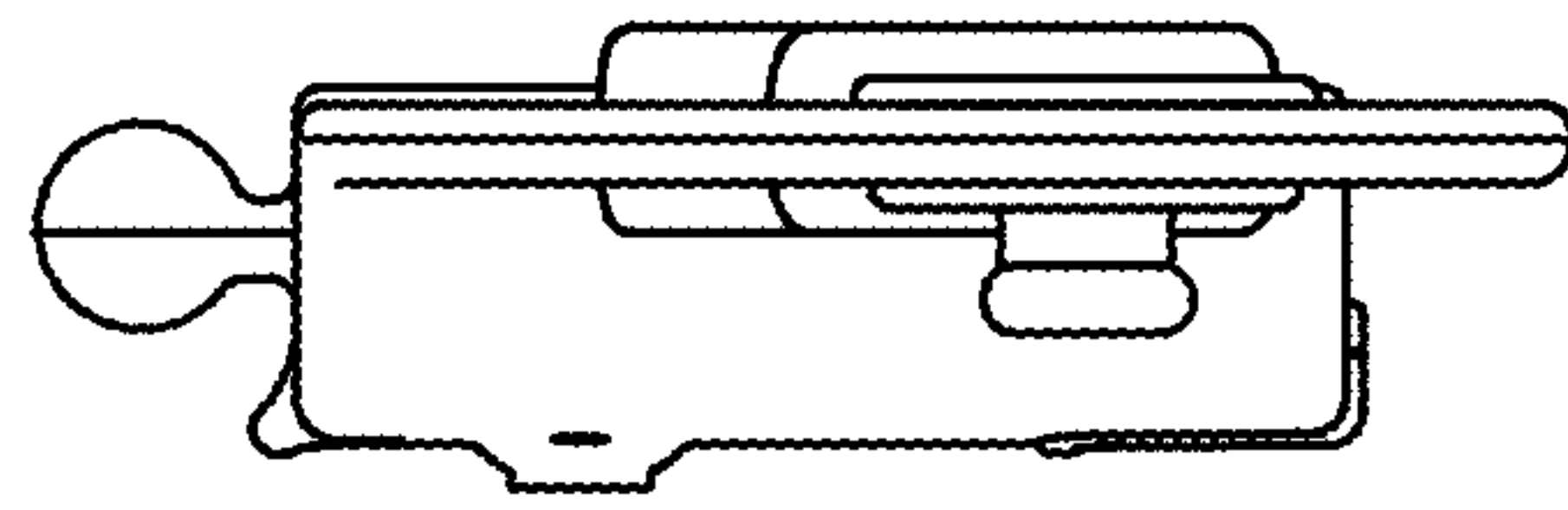


FIG. 4

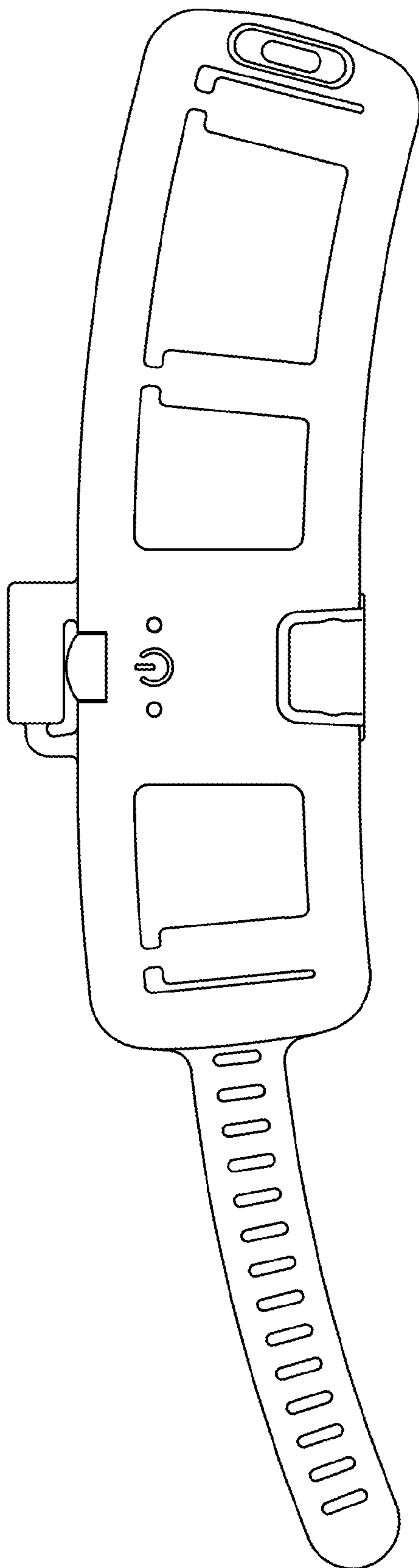


FIG. 5

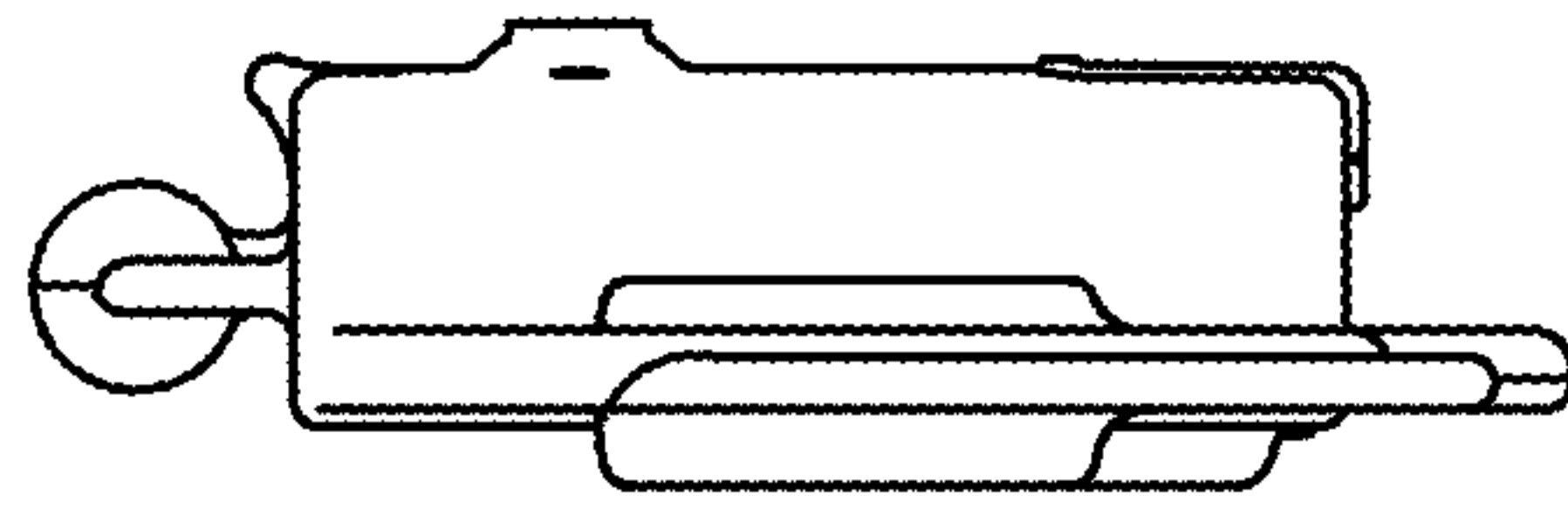


FIG. 6

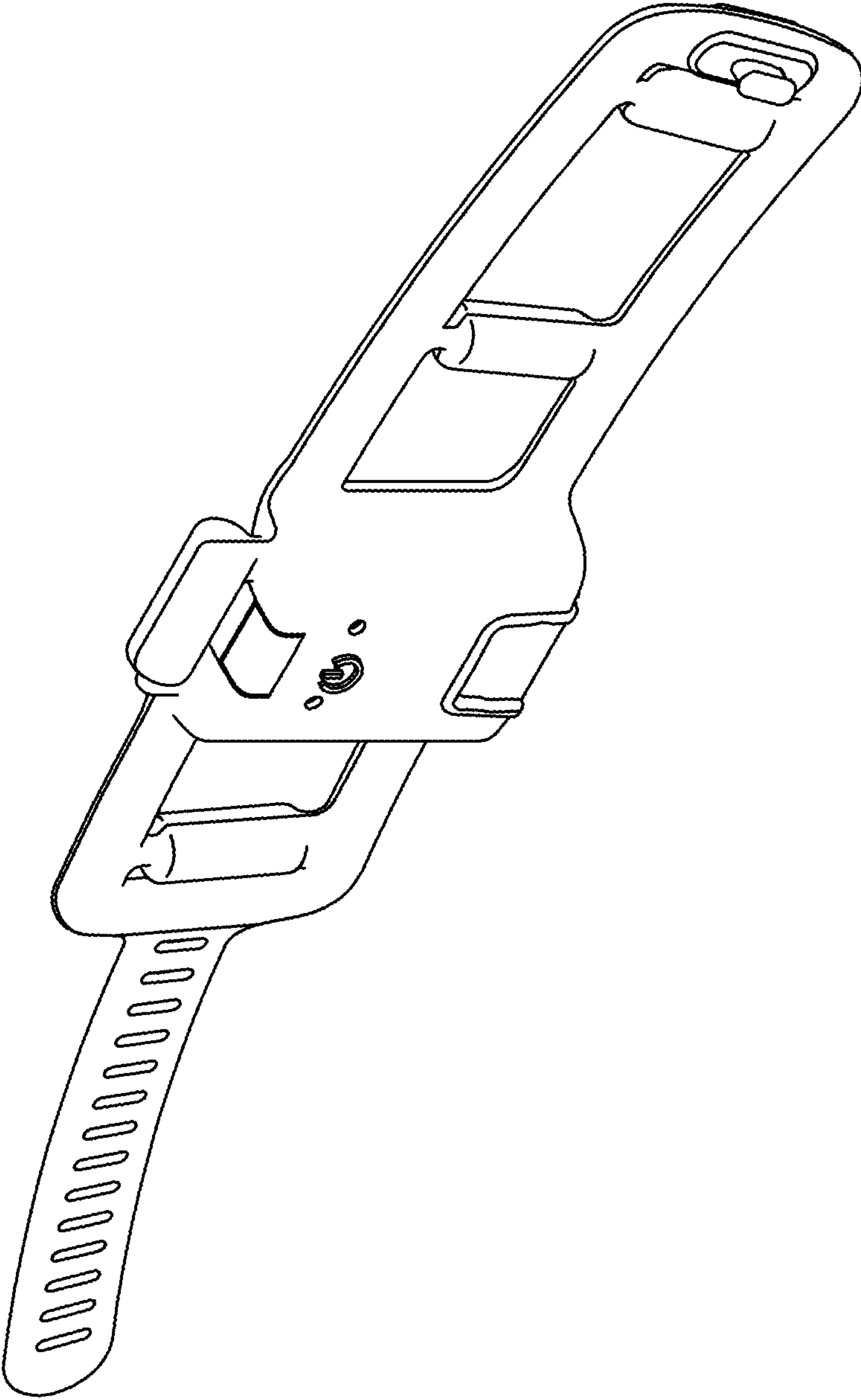


FIG. 7

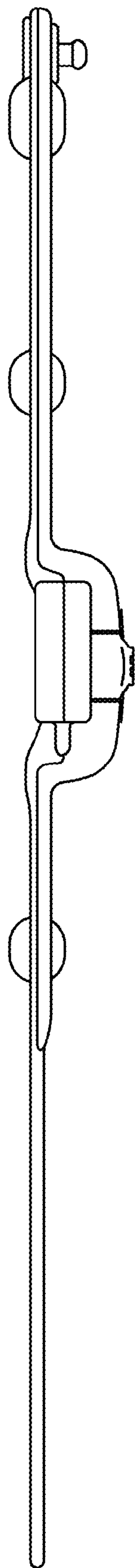


FIG. 8

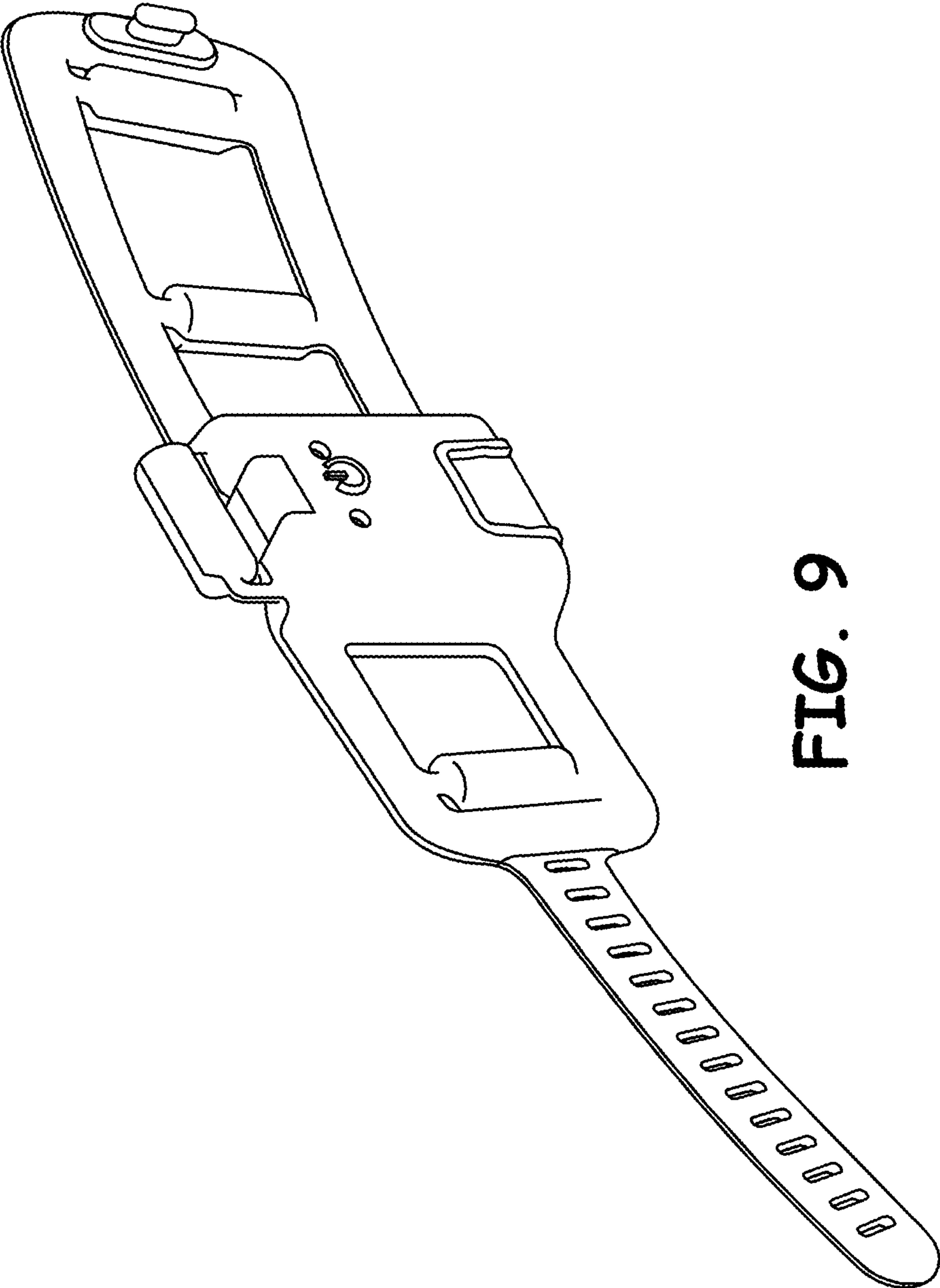


FIG. 9

UNITED STATES PATENT AND TRADEMARK OFFICE
CERTIFICATE OF CORRECTION

PATENT NO. : D747,483 S
APPLICATION NO. : 29/419937
DATED : January 12, 2016
INVENTOR(S) : Daniel Nilsson et al.

Page 1 of 1

It is certified that error appears in the above-identified patent and that said Letters Patent is hereby corrected as shown below:

Prior to the claim, please add the following section:

GOVERNMENT SUPPORT

This invention was made with government support under Grant No. AG040865 awarded by the National Institutes of Health. The government has certain rights in the invention

Signed and Sealed this
Twenty-third Day of May, 2017



Michelle K. Lee
Director of the United States Patent and Trademark Office