



US00D747482S

(12) **United States Design Patent**
Johnson et al.

(10) **Patent No.:** **US D747,482 S**
(45) **Date of Patent:** **** Jan. 12, 2016**

- (54) **DENTAL EXTRACTOR**
- (71) Applicants: **Christine Elizabeth Johnson**, Seattle, WA (US); **Jim Wait**, Spring Valley, WI (US)
- (72) Inventors: **Christine Elizabeth Johnson**, Seattle, WA (US); **Jim Wait**, Spring Valley, WI (US)
- (73) Assignee: **MarKat**, Spring Valley, WI (US)
- (**) Term: **14 Years**
- (21) Appl. No.: **29/512,662**
- (22) Filed: **Dec. 22, 2014**
- (51) **LOC (10) Cl.** **24-02**
- (52) **U.S. Cl.**
USPC **D24/152**
- (58) **Field of Classification Search**
USPC D24/152, 155-156, 176, 140, 146-147;
D8/14, 86; 433/121, 150-152
CPC A61C 3/14; A61C 3/16; A61C 3/02;
A61C 8/0068; A61C 3/13; A61C 3/00
See application file for complete search history.

- (56) **References Cited**
U.S. PATENT DOCUMENTS
2,210,349 A * 8/1940 Beeck A61C 3/14
433/152
2,488,036 A * 11/1949 Pofcher A61C 3/16
433/152

- 4,402,671 A * 9/1983 Westerman A61C 3/16
433/152
- 6,019,602 A * 2/2000 Fletcher A61C 3/14
433/152
- 7,938,645 B2 * 5/2011 Sopian A61C 3/14
433/152
- 8,177,555 B2 * 5/2012 Syfrig A61C 3/14
433/151
- 8,439,679 B2 * 5/2013 Hoke, III A61C 3/14
433/152
- 2015/0024346 A1 * 1/2015 Johnson A61C 5/026
433/215

* cited by examiner

Primary Examiner — Wan Laymon

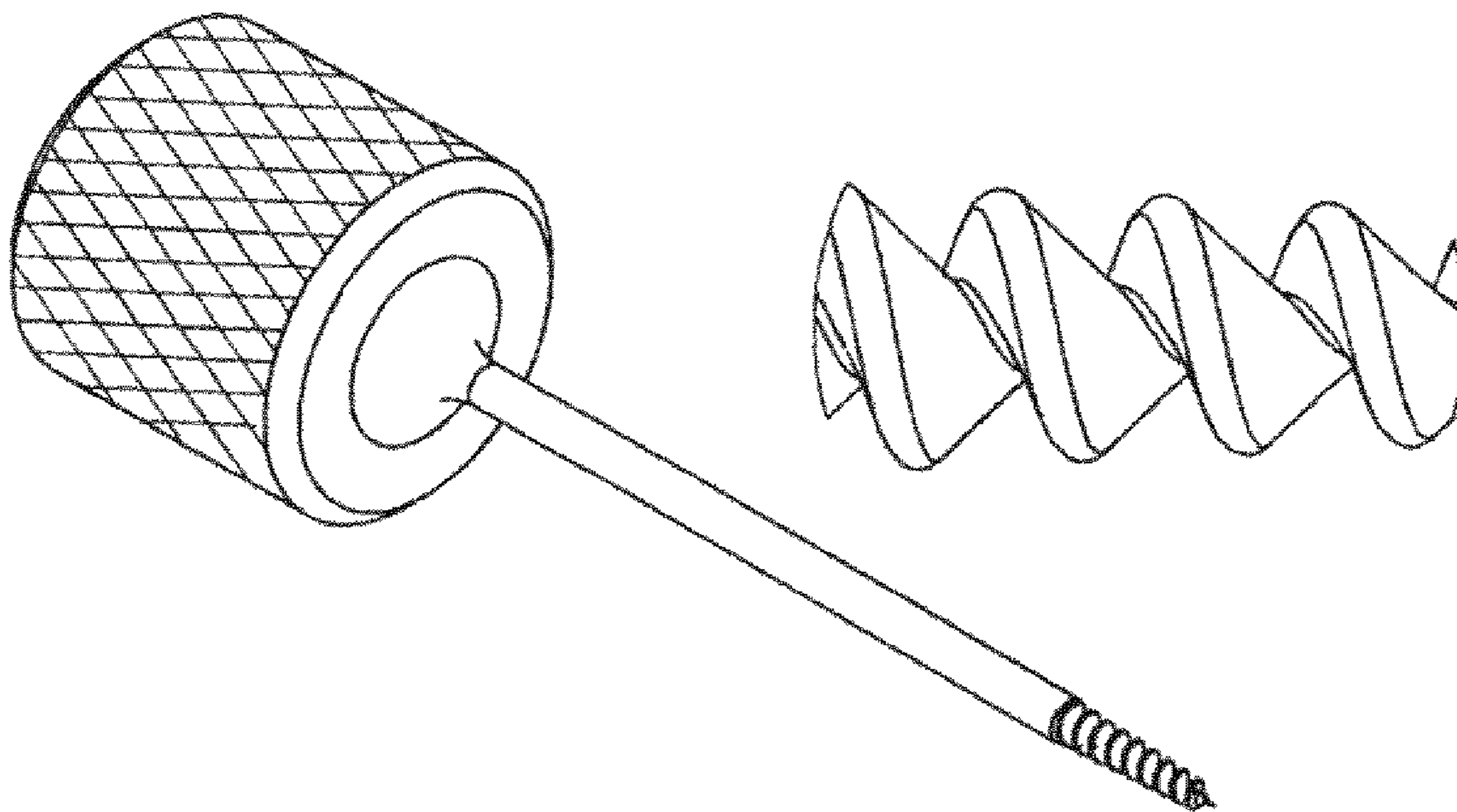
(74) *Attorney, Agent, or Firm* — Skinner and Associate; Joel Skinner

(57) **CLAIM**
The ornamental design for a dental extractor, as shown and described.

DESCRIPTION

FIG. 1 is a perspective view of a dental extractor showing an embodiment of the design of the invention.
FIG. 2 is a front view thereof, the opposite back view being a mirror image thereof.
FIG. 3 is a top view thereof.
FIG. 4 is a bottom view thereof.
FIG. 5 is a detailed view of a portion of the distal end thereof; and,
FIG. 6 is a longitudinal cross-sectional view of FIG. 5.

1 Claim, 1 Drawing Sheet



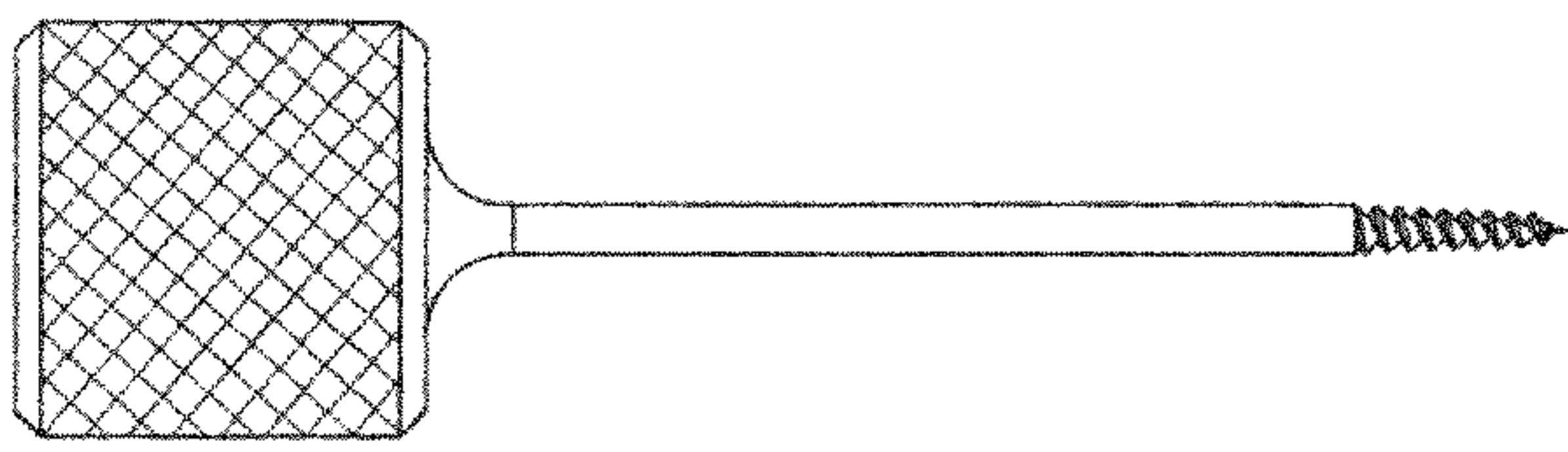


Fig. 2

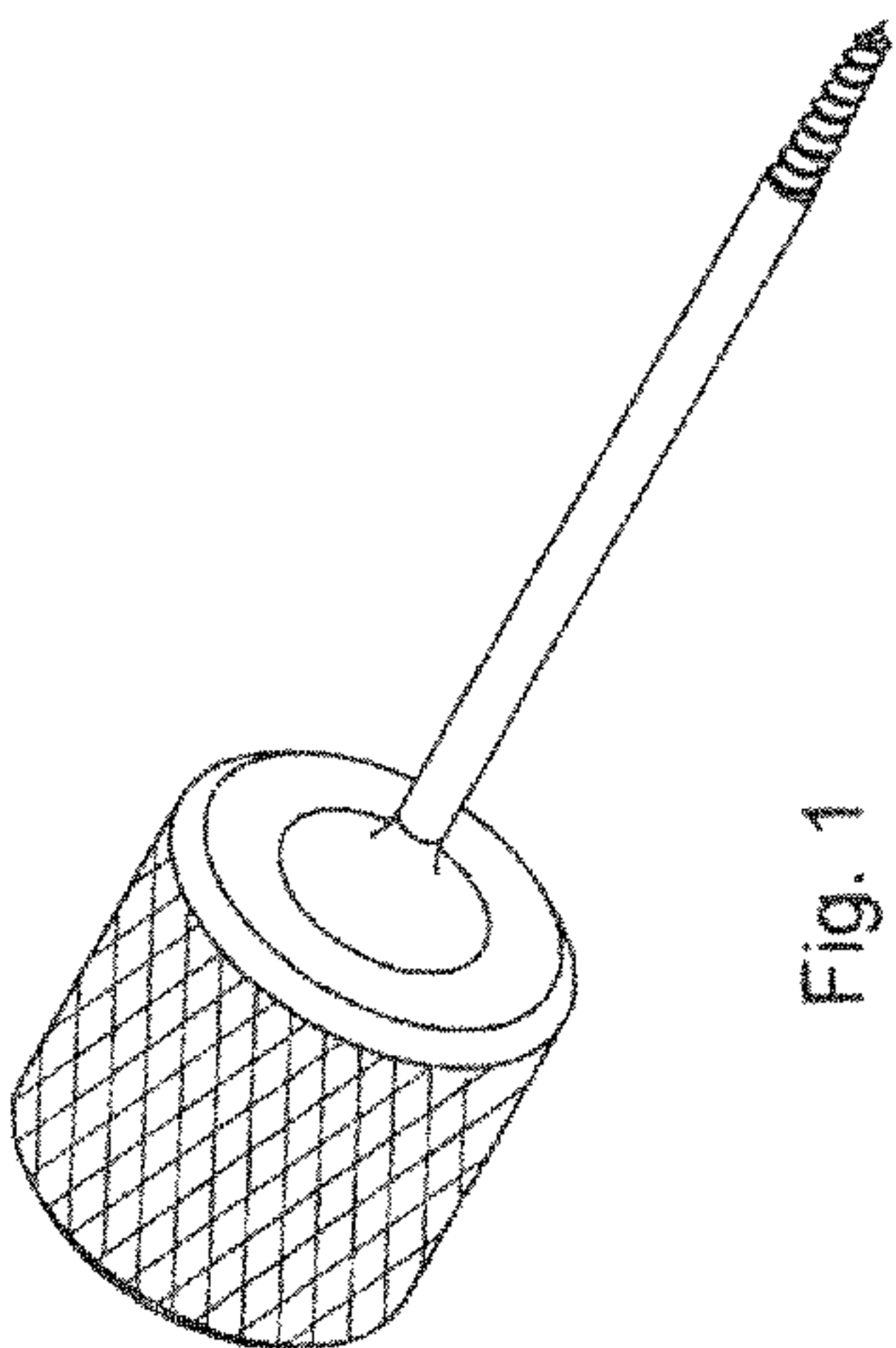


Fig. 1

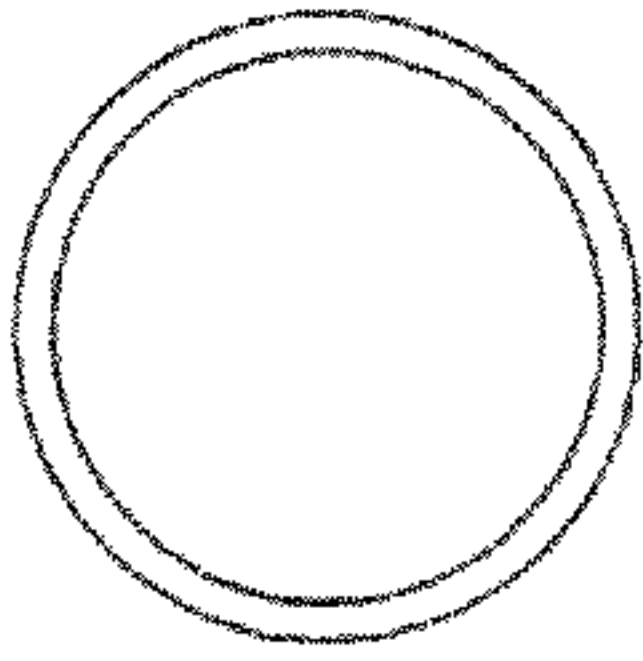


Fig. 3

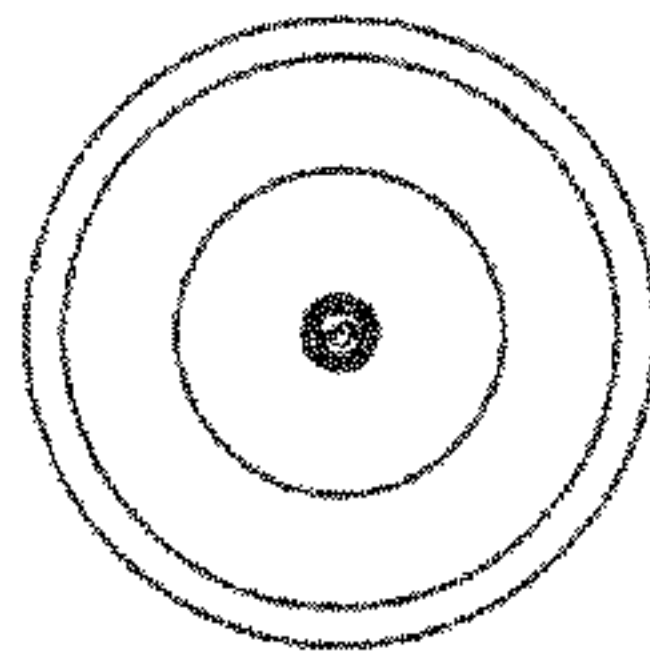


Fig. 4

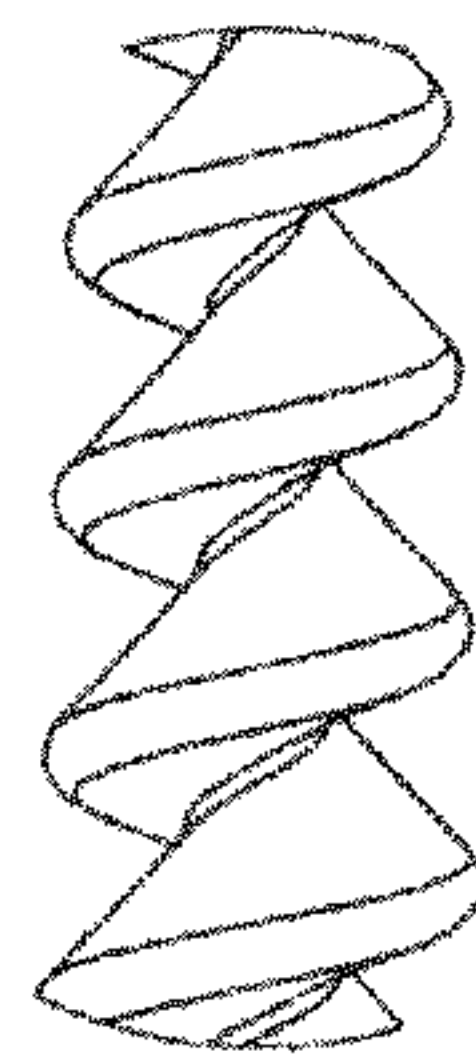


Fig. 5

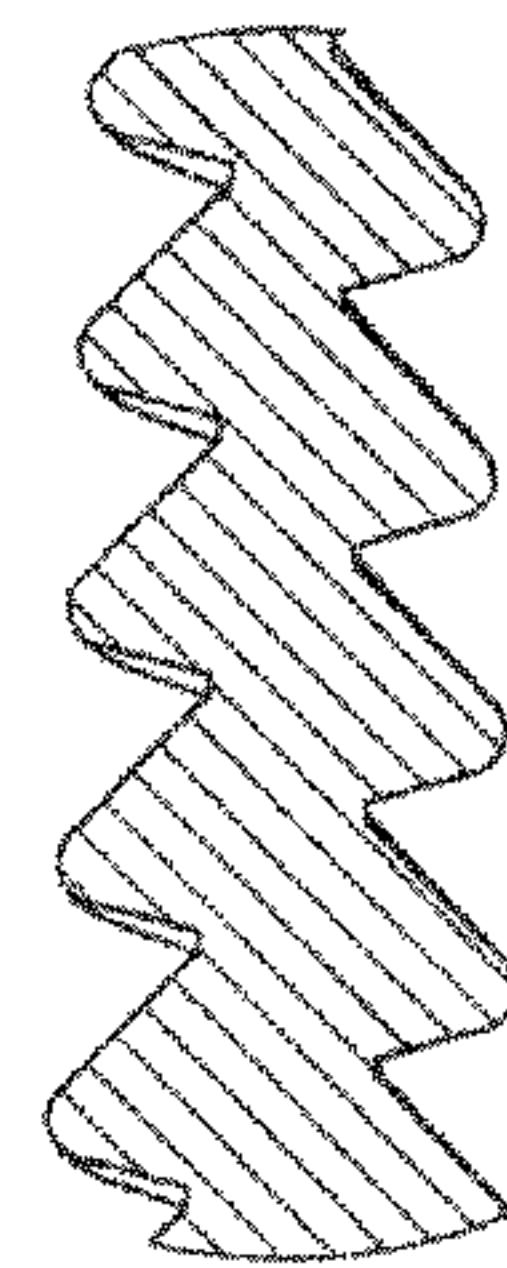


Fig. 6