



US00D747481S

(12) **United States Design Patent**  
**Geebelen et al.**

(10) **Patent No.:** **US D747,481 S**  
(45) **Date of Patent:** **\*\* Jan. 12, 2016**

(54) **SURGICAL GUIDE**

(71) Applicant: **Materialise N.V.**, Leuven (BE)

(72) Inventors: **Benjamin Geebelen**, Haasrode (BE);  
**Nils Faber**, Leuven (BE)

(73) Assignee: **Materialise N.V.**, Leuven (BE)

(\*\*) Term: **14 Years**

(21) Appl. No.: **29/503,417**

(22) Filed: **Sep. 25, 2014**

(51) **LOC (10) Cl.** ..... **24-02**

(52) **U.S. Cl.**  
USPC ..... **D24/140**

(58) **Field of Classification Search**  
USPC ..... D24/140, 33, 155; 600/410;  
606/86 R-91, 96-103, 246, 248;  
623/17.11, 17.16  
CPC ..... A61B 17/3403; A61B 19/201; A61B  
2019/267; A61B 2017/00407; A61M  
2025/0213; A61N 1/0539  
See application file for complete search history.

(56) **References Cited**

**U.S. PATENT DOCUMENTS**

D291,003	S	*	7/1987	Huckstep	.....	D24/155
5,258,032	A	*	11/1993	Bertin	.....	623/20.35
5,474,559	A	*	12/1995	Bertin et al.	.....	606/89
D374,078	S	*	9/1996	Johnson et al.	.....	D24/155
D473,307	S	*	4/2003	Cooke	.....	D24/155
D618,796	S	*	6/2010	Cantu et al.	.....	D24/140
D643,923	S	*	8/2011	Senda	.....	D24/140
D646,390	S	*	10/2011	Bailey et al.	.....	D24/140
D649,639	S	*	11/2011	Bertoni et al.	.....	D24/140
D649,640	S	*	11/2011	Bailey et al.	.....	D24/140
D651,315	S	*	12/2011	Bertoni et al.	.....	D24/140
D651,317	S	*	12/2011	May et al.	.....	D24/140

D695,402	S	*	12/2013	Dacosta et al.	.....	D24/140
D724,730	S	*	3/2015	Chaney et al.	.....	D24/140
D733,875	S	*	7/2015	Chaney et al.	.....	D24/140
2004/0039450	A1	*	2/2004	Griner et al.	.....	623/20.31
2004/0172137	A1	*	9/2004	Blaylock et al.	.....	623/20.16
2006/0173547	A1	*	8/2006	Ensign	.....	623/20.15
2009/0222015	A1	*	9/2009	Park et al.	.....	606/89
2010/0016987	A1	*	1/2010	Scrafton et al.	.....	623/23.56
2011/0218545	A1	*	9/2011	Catanzarite et al.	.....	606/96
2012/0277751	A1	*	11/2012	Catanzarite et al.	.....	606/88
2013/0274753	A1	*	10/2013	Carroll et al.	.....	606/87
2014/0236305	A1	*	8/2014	Olgiatei et al.	.....	623/20.14
2014/0324053	A1	*	10/2014	Stemniski et al.	.....	606/87

\* cited by examiner

*Primary Examiner* — Wan Laymon

*Assistant Examiner* — Mark Booker

(74) *Attorney, Agent, or Firm* — Fairview IP

(57) **CLAIM**

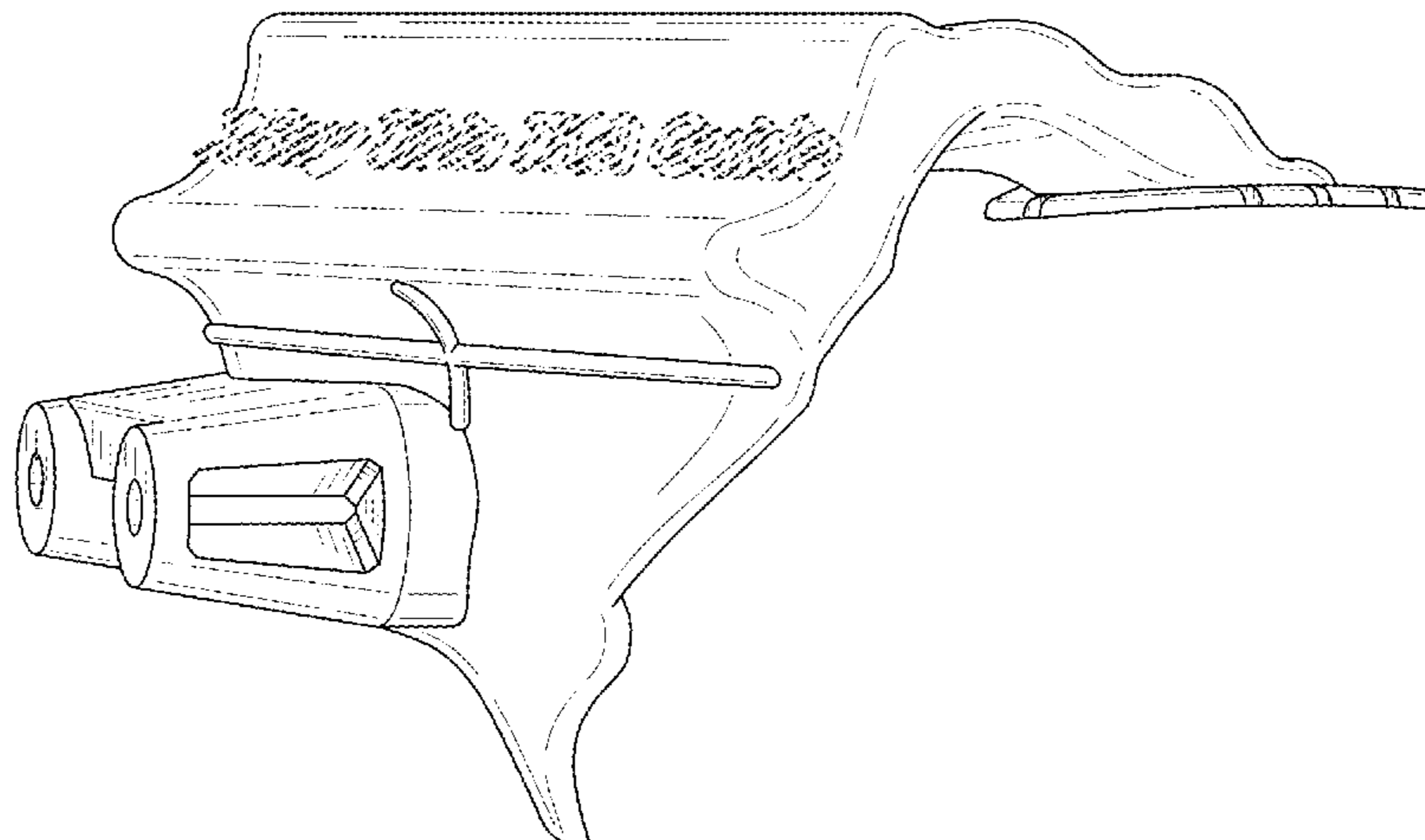
The ornamental design for a surgical guide, substantially as shown and described.

**DESCRIPTION**

FIG. 1 is a perspective view of a surgical guide configured in accordance with the present invention;  
 FIG. 2 is another perspective view thereof, shown in the context of a tibia;  
 FIG. 3 is yet another perspective view thereof, also shown in the context of a tibia;  
 FIG. 4 is a front view thereof;  
 FIG. 5 is a rear view thereof;  
 FIG. 6 is a right side view thereof;  
 FIG. 7 is a left side view thereof;  
 FIG. 8 is a top view thereof; and,  
 FIG. 9 is a bottom view thereof.

The broken line showing of the surgical guide is included for the purpose of illustrating portions of the “surgical guide” and forms no part of the claimed design.

**1 Claim, 9 Drawing Sheets**



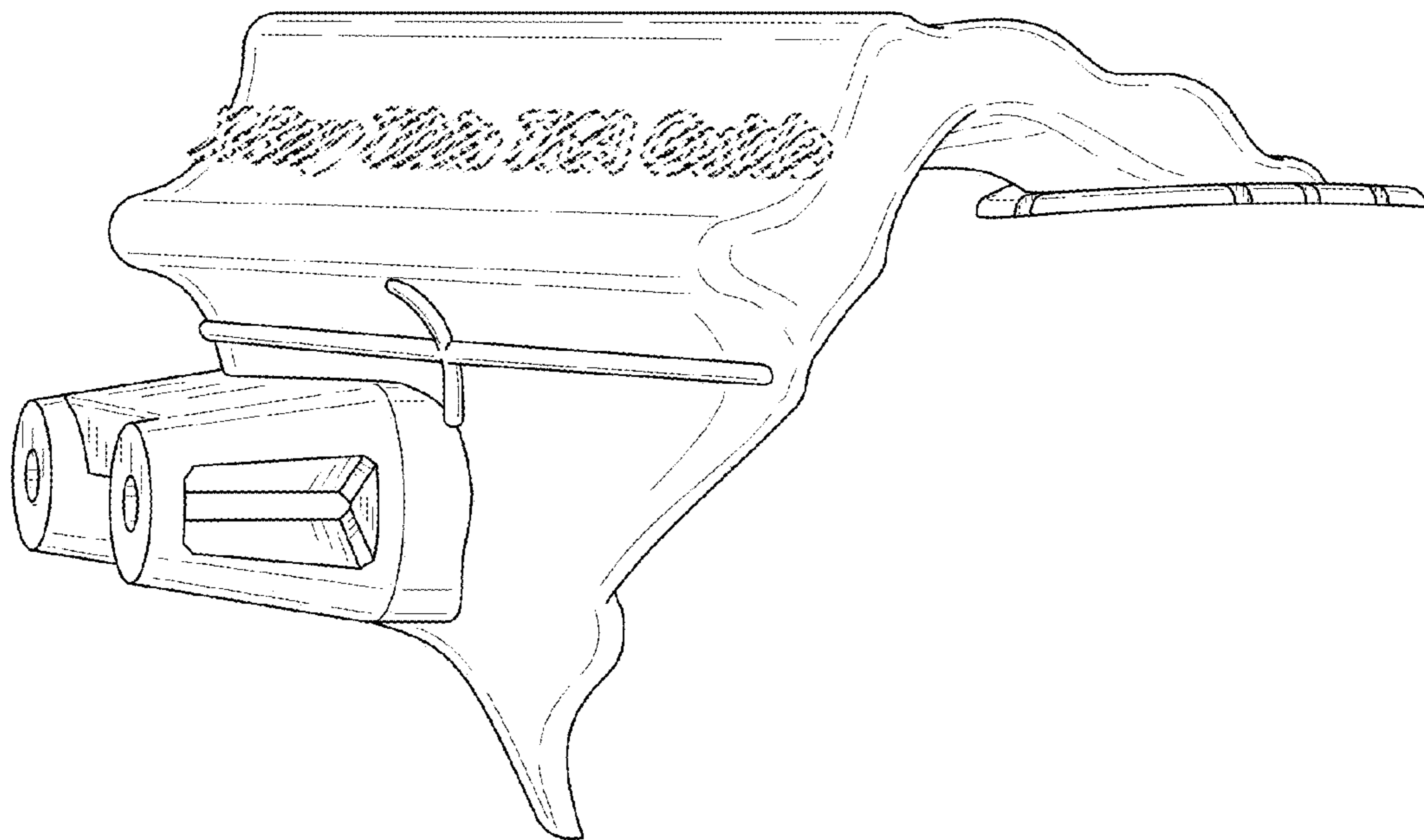


FIG. 1

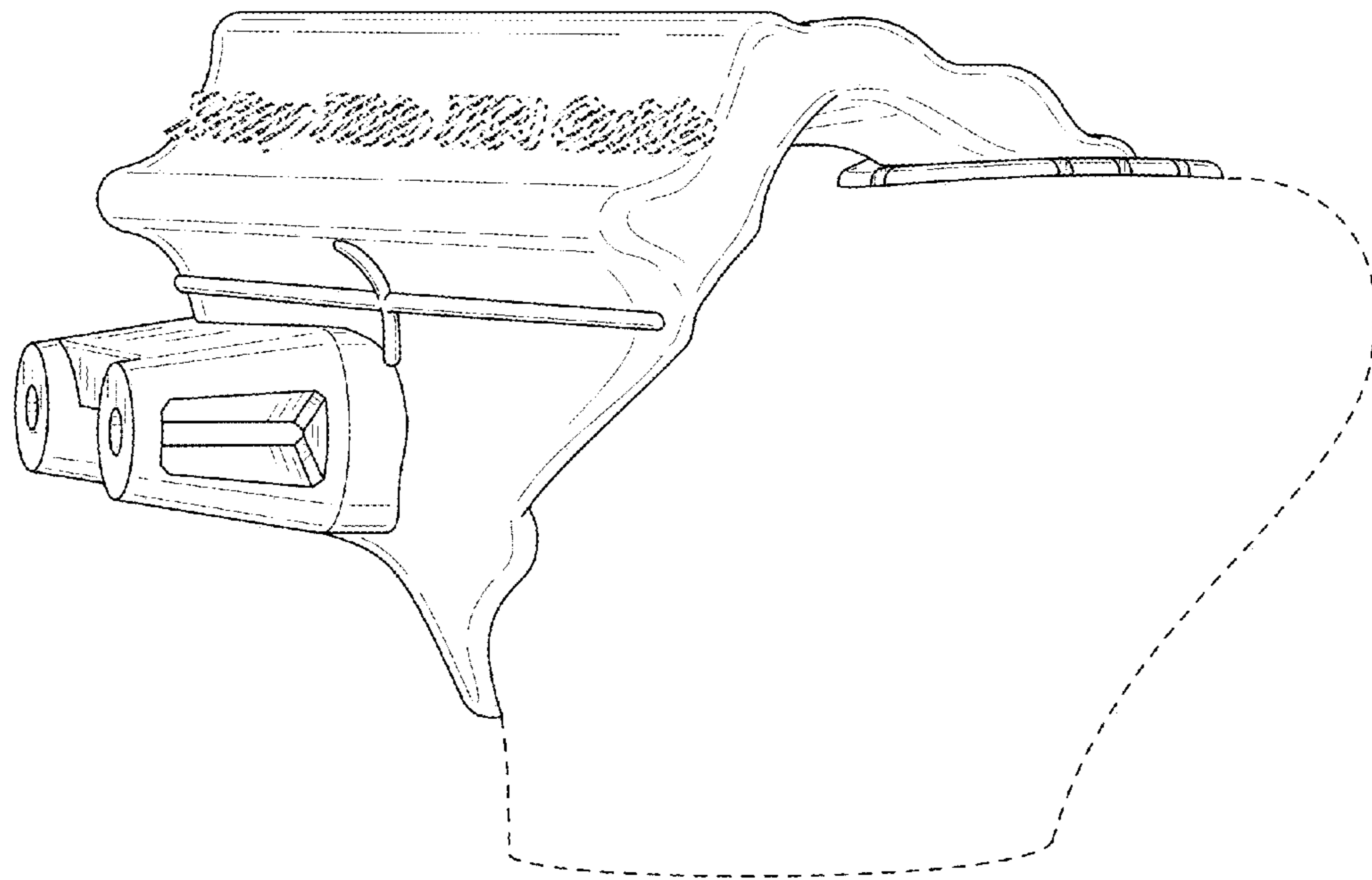


FIG. 2

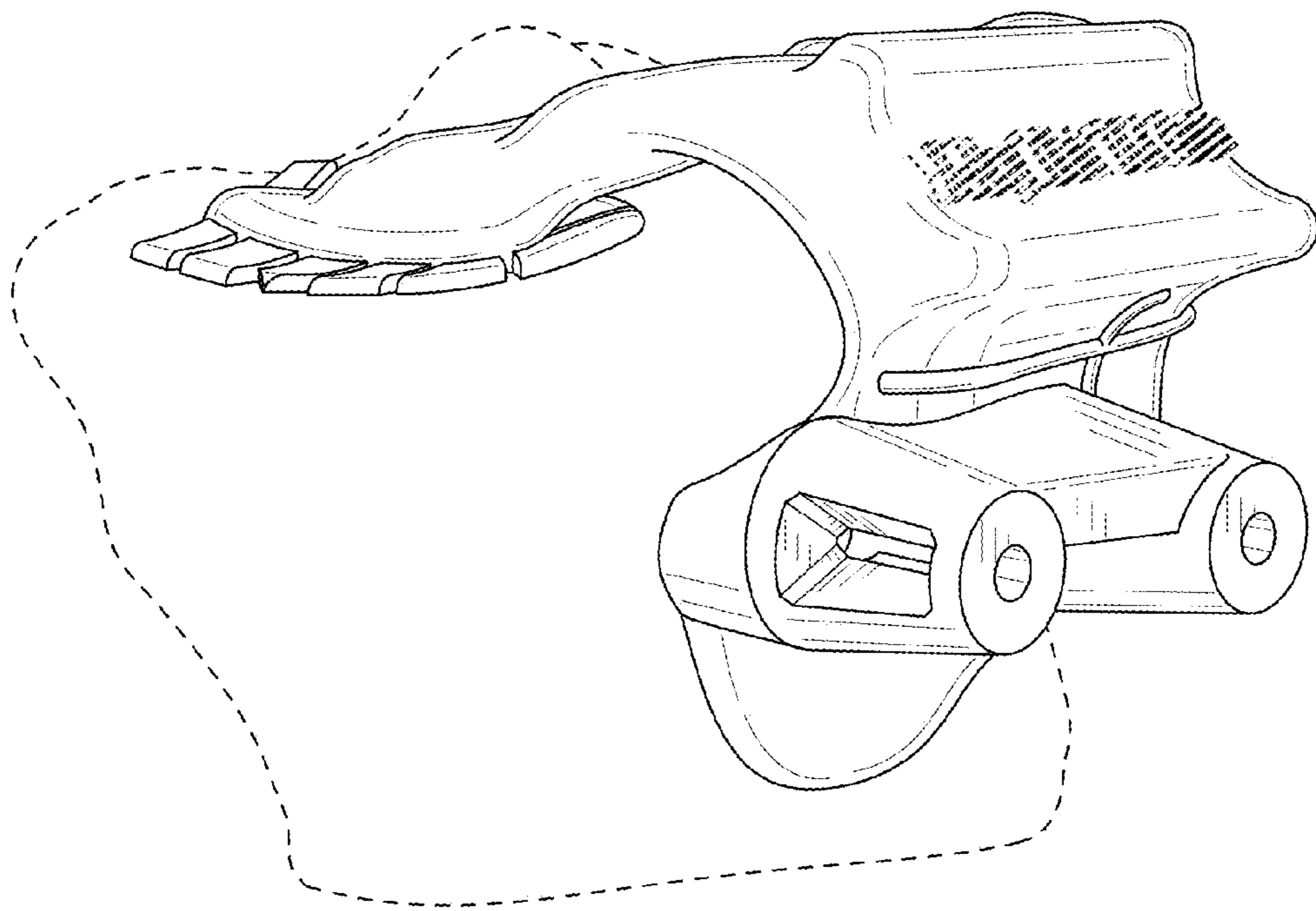


FIG. 3

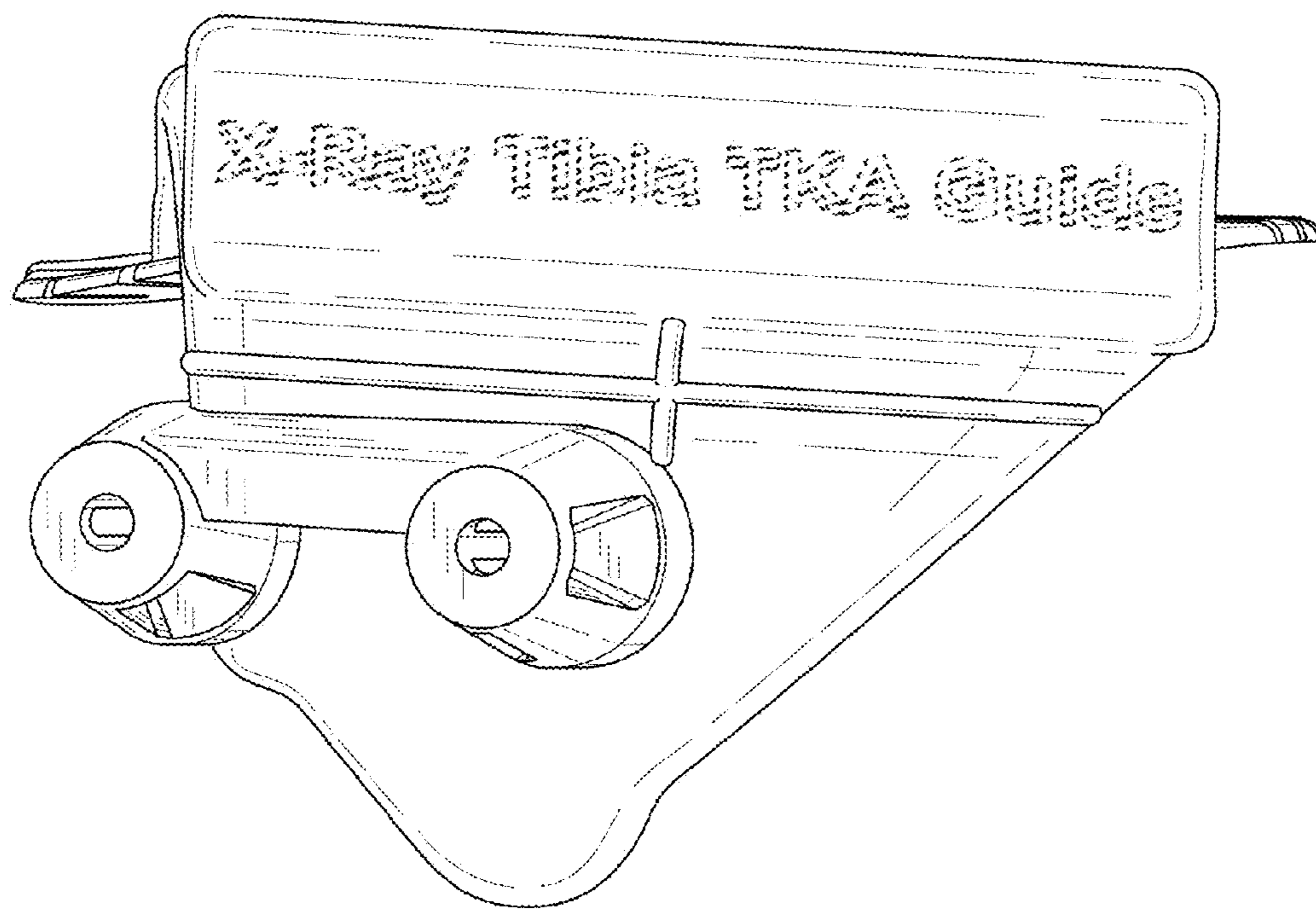


FIG. 4

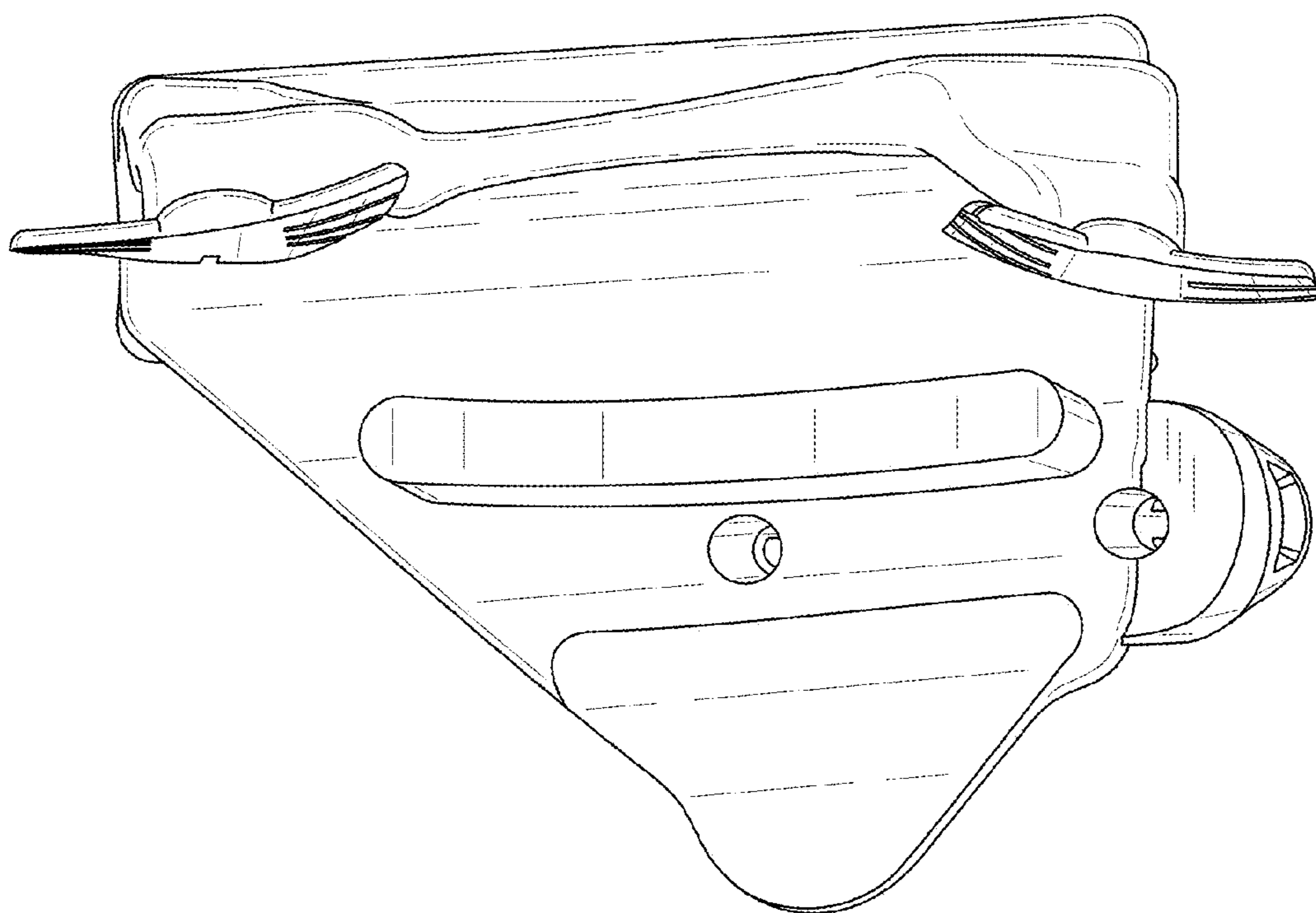


FIG. 5

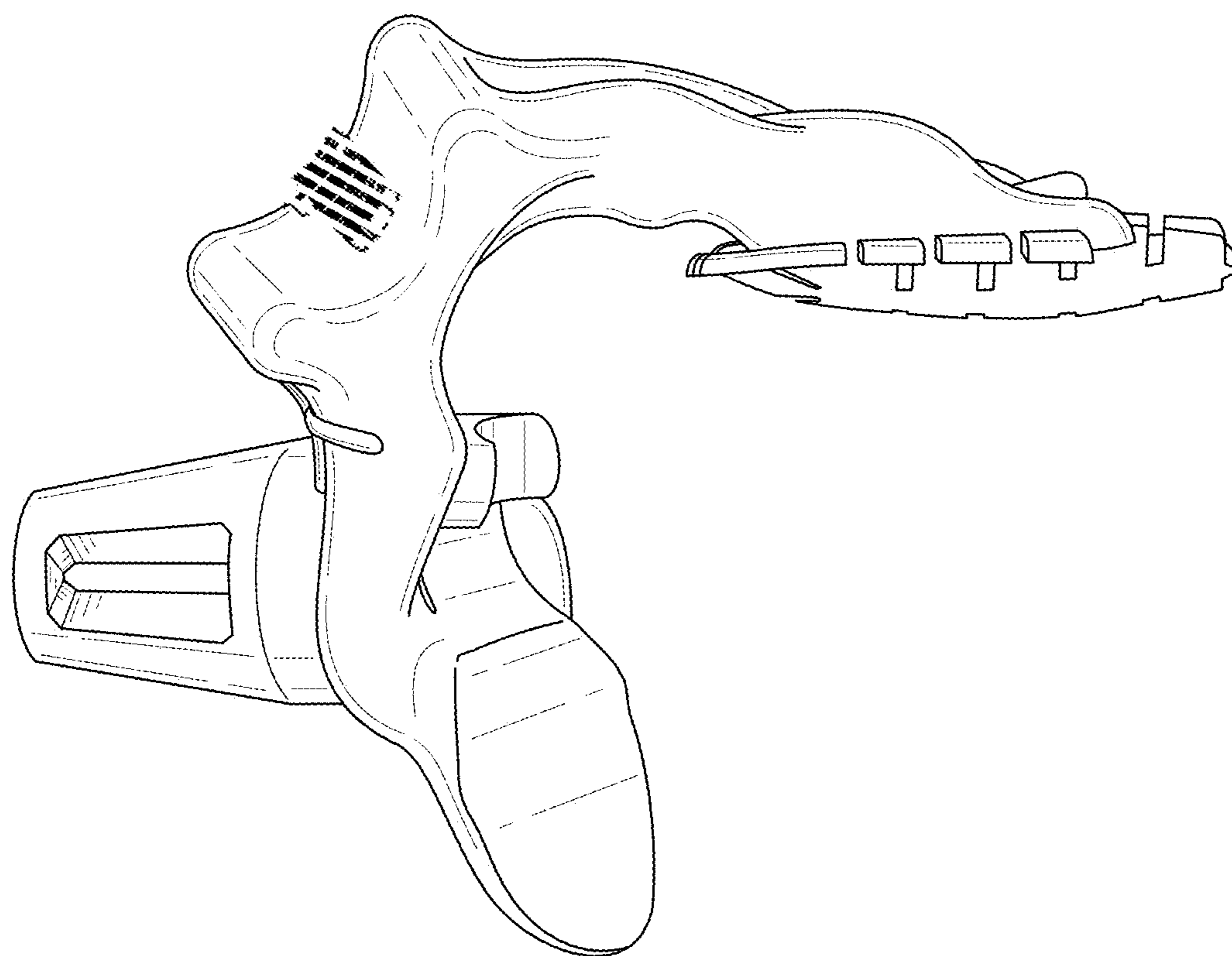


FIG. 6

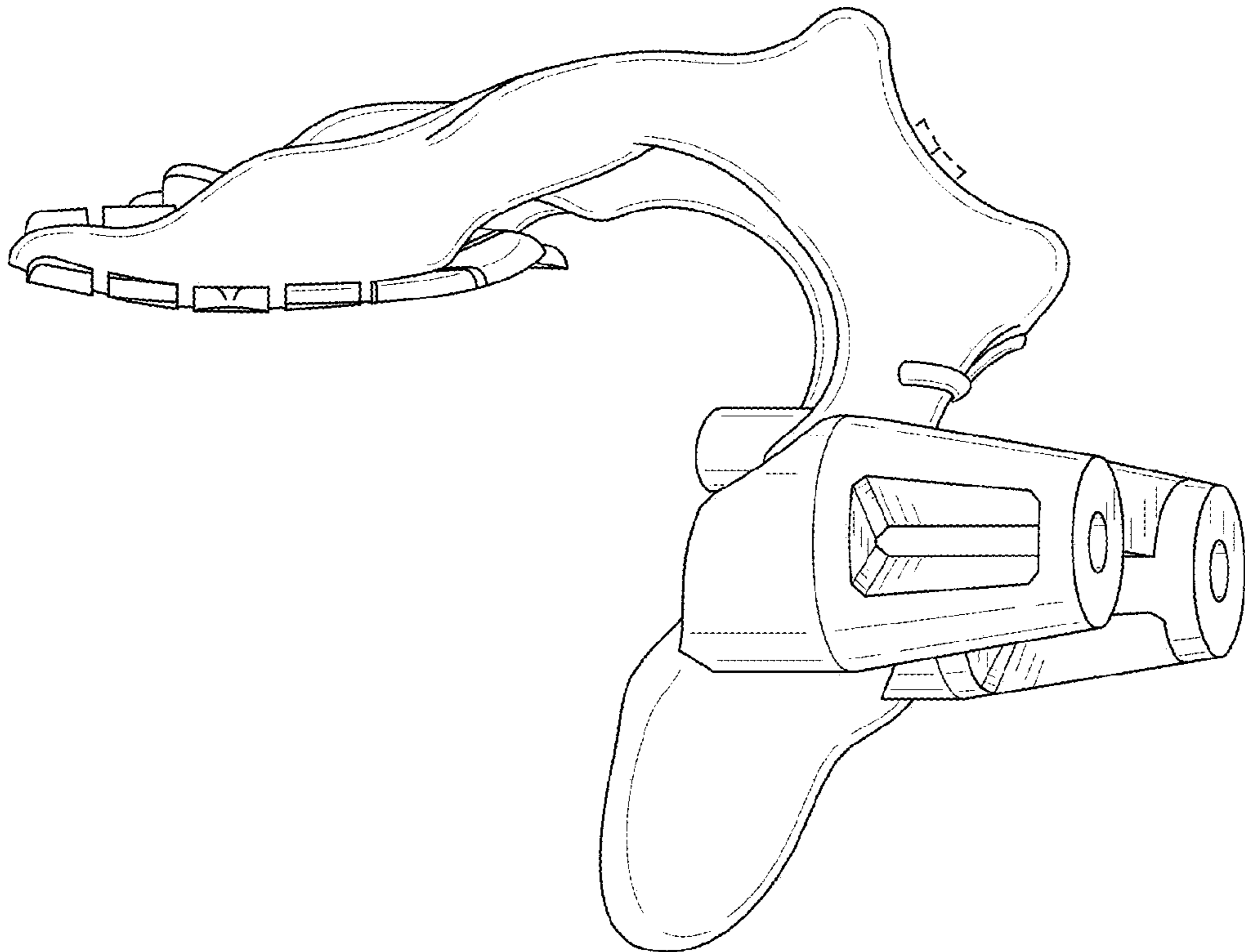


FIG. 7



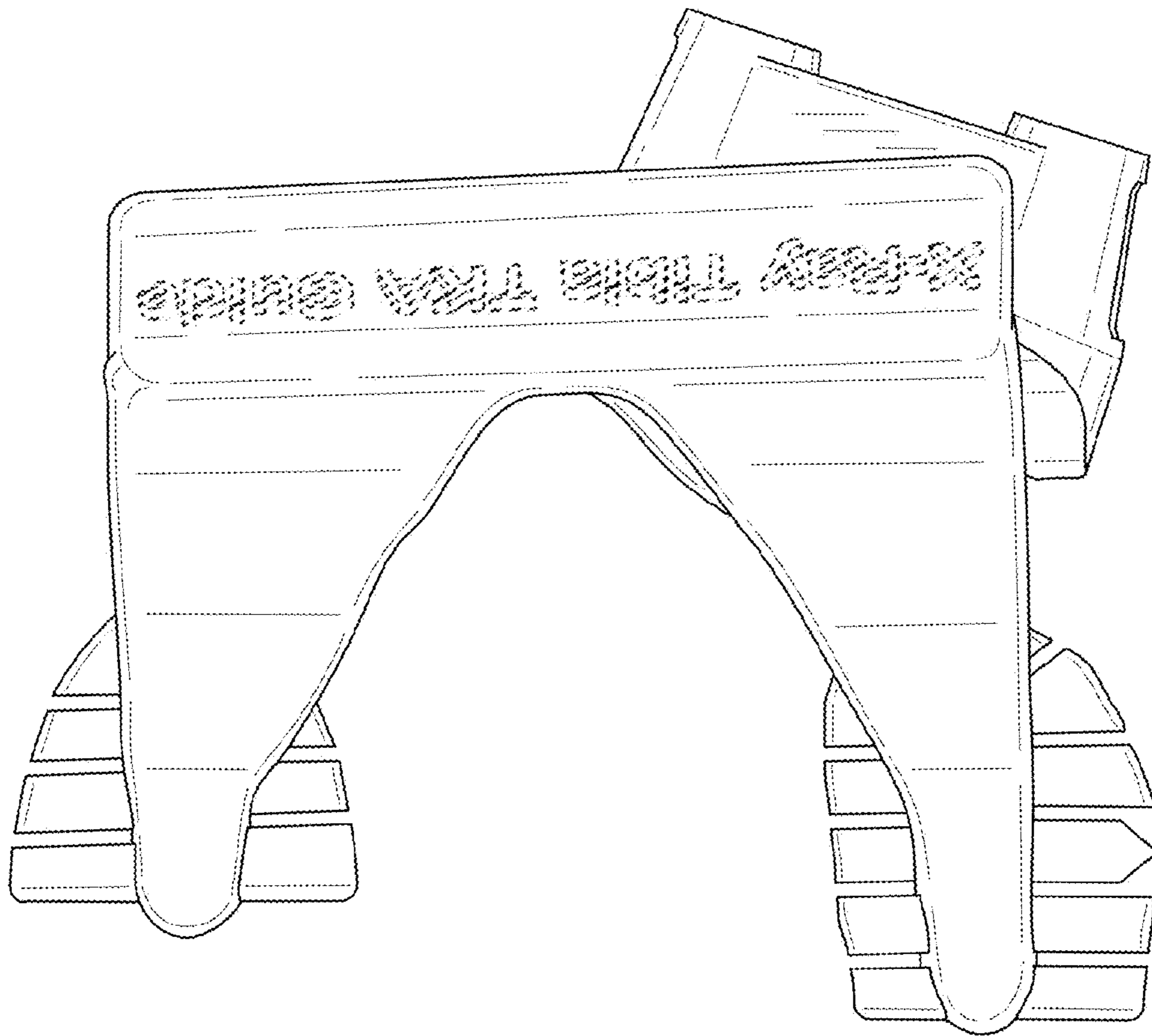


FIG. 8

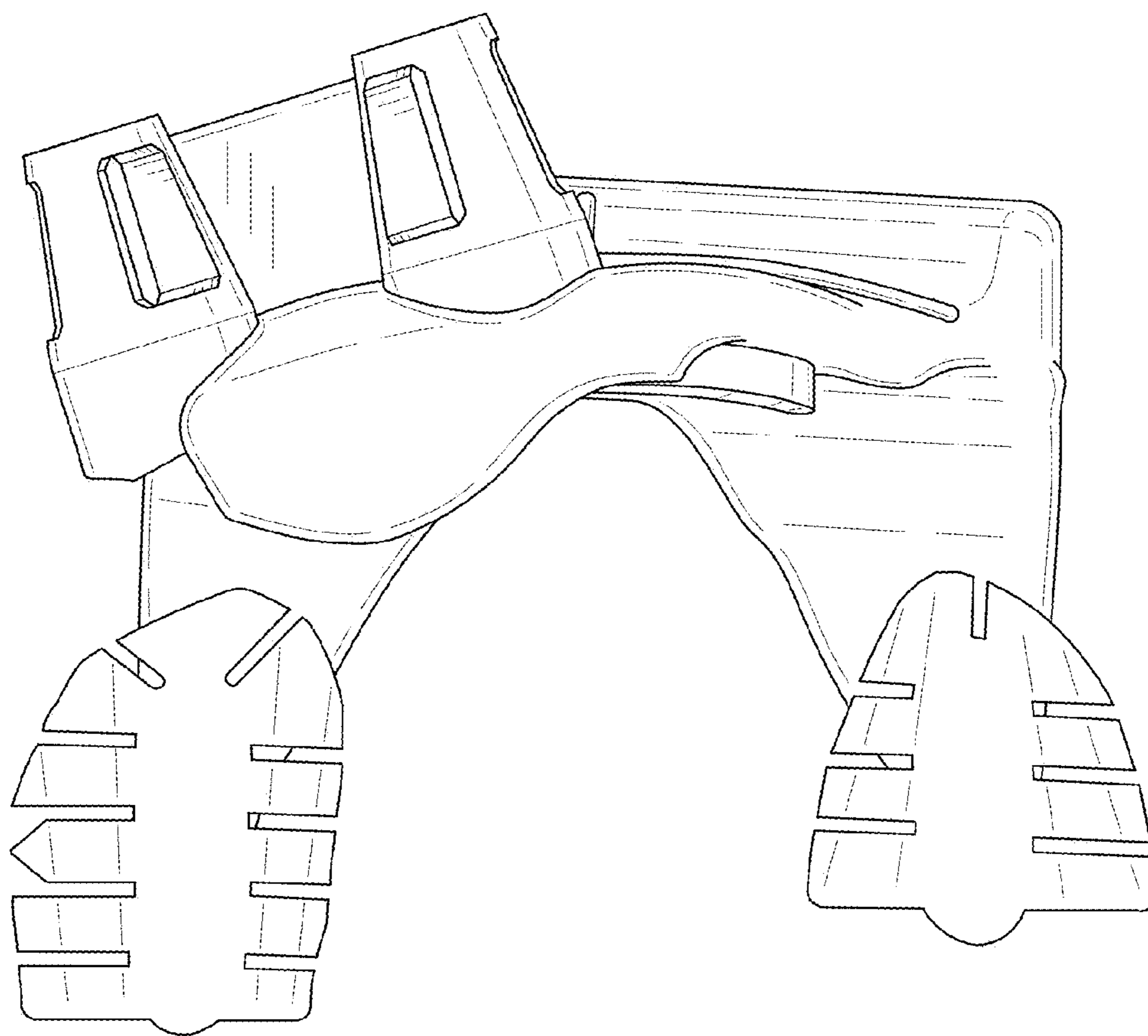


FIG. 9