



US00D747476S

(12) **United States Design Patent**
Kawamura

(10) **Patent No.:** **US D747,476 S**
(45) **Date of Patent:** **** Jan. 12, 2016**

(54) **CAP FOR SYRINGE**

FOREIGN PATENT DOCUMENTS

(71) Applicant: **DAIKYO SEIKO, LTD.**, Tokyo (JP)

DE 19915275 A1 10/2000
FR 2777787 A1 10/1999

(72) Inventor: **Hideaki Kawamura**, Tokyo (JP)

(Continued)

(73) Assignee: **DAIKYO SEIKO, LTD.**, Tokyo (JP)

OTHER PUBLICATIONS

(**) Term: **14 Years**

Supplementary European Search Report for European Patent App. No. 11756106.8 (Jul. 20, 2015).

(21) Appl. No.: **29/507,864**

(Continued)

(22) Filed: **Oct. 31, 2014**

Primary Examiner — David Muller

(30) **Foreign Application Priority Data**

(74) *Attorney, Agent, or Firm* — Cermak Nakajima & McGowan LLP; Tomoko Nakajima

May 8, 2014 (JP) 2014-009865

(51) **LOC (10) Cl.** **24-02**

(52) **U.S. Cl.**
USPC **D24/130**

(58) **Field of Classification Search**
USPC D24/127–131, 112–114, 133, 186;
606/181, 185; 604/264, 523–528, 272,
604/187, 158, 164.01–164.11, 181, 184,
604/227; 600/101, 139, 143; 128/200.24,
128/207.14, 207.15

CPC . A61M 25/065; A61M 5/42; A61M 25/0612;
A61M 25/00; A61M 39/00; A61M 27/00;
A61M 25/0043; A61M 25/0067; A61M
25/0097; A61F 2/958

See application file for complete search history.

(57) **CLAIM**

The ornamental design for a cap for syringe, as shown and described.

DESCRIPTION

FIG. 1 is a front elevational view of a cap for syringe showing my new design;
FIG. 2 is a rear elevational view thereof;
FIG. 3 is a top plan view thereof; a bottom plan view thereof being a mirror image,
FIG. 4 is a cross-sectional view taken along the line 4-4 in FIG. 1 thereof;
FIG. 5 is a right side view thereof; and
FIG. 6 is a left side view thereof.
FIG. 7 is a right perspective view thereof;
FIG. 8 is a left perspective view thereof; and,
FIG. 9 is a referential cross-sectional view thereof in a using condition, wherein the cap is placed on a syringe tip.
The broken line in the drawings is included for the purpose of illustrating environment and forms no part of the claimed design.

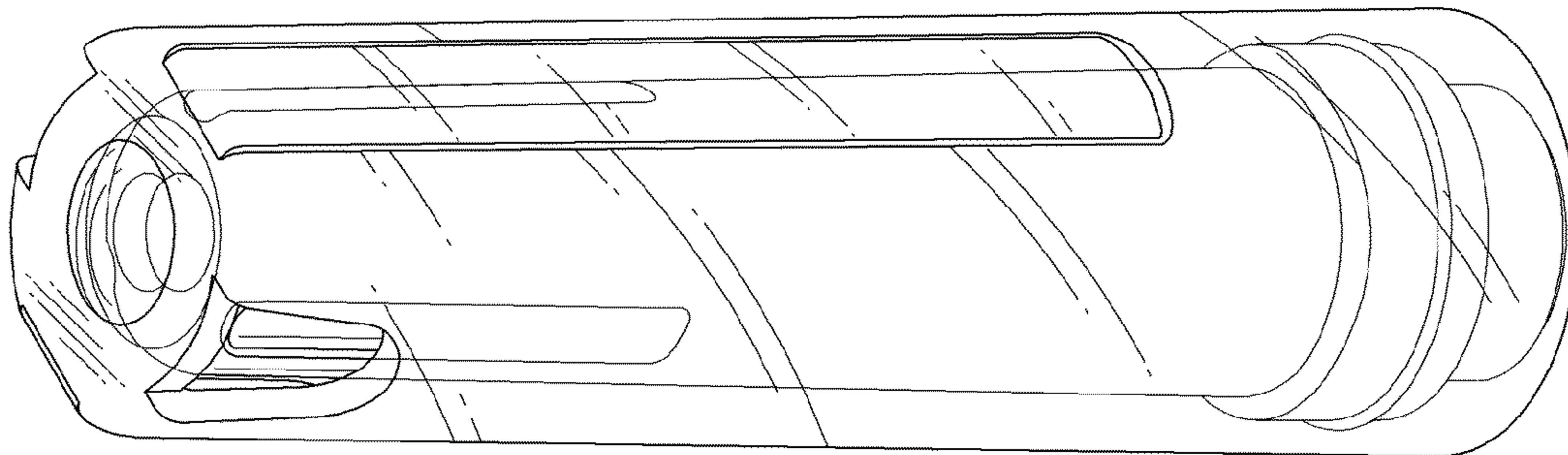
(56) **References Cited**

U.S. PATENT DOCUMENTS

4,964,866 A 10/1990 Szwarc
4,986,813 A 1/1991 Blake et al.
5,067,944 A 11/1991 Nichols
5,941,857 A 8/1999 Nguyen et al.
5,980,495 A 11/1999 Heinz et al.
D461,243 S * 8/2002 Niedospial, Jr. D24/130
D461,555 S * 8/2002 Binet D24/114
D461,557 S * 8/2002 Courteix D24/130

(Continued)

1 Claim, 9 Drawing Sheets



(56)

References Cited

U.S. PATENT DOCUMENTS

6,485,474	B1	11/2002	Schott	
6,551,286	B1	4/2003	Claessens	
6,719,732	B2	4/2004	Courteix	
7,052,517	B2 *	5/2006	Murphy	A61B 17/8816 623/23.51
D565,732	S	4/2008	Pech et al.	
D690,416	S *	9/2013	Cappello	D24/112
D695,892	S *	12/2013	Cappello	D24/113
D702,834	S *	4/2014	Norton	D24/130
D715,428	S *	10/2014	Baid	D24/130
D719,650	S *	12/2014	Arinobe	D24/130
D721,802	S *	1/2015	Ohashi	D24/113
D732,161	S *	6/2015	Ohashi	D24/113
D734,846	S *	7/2015	Ohashi	D24/113
D736,915	S *	8/2015	Schultz	D24/129
2002/0062108	A1	5/2002	Courteix	
2004/0199124	A1	10/2004	Conte	
2005/0038391	A1	2/2005	Wittland et al.	
2005/0075611	A1	4/2005	Hetzler et al.	
2008/0269690	A1	10/2008	Felix-Faure	
2010/0234801	A1	9/2010	Ohara et al.	
2013/0012886	A1	1/2013	Kawachi	

FOREIGN PATENT DOCUMENTS

JP	3-173576	7/1991
JP	10-305098	11/1998
JP	2003-079727	3/2003
JP	2007-507308 A	3/2007
JP	D1331670 S	6/2008
JP	2008-307369 A	12/2008
WO	WO00/59563 A1	10/2000
WO	WO2008/139330 A2	11/2008

OTHER PUBLICATIONS

Office Action from U.S. Appl. No. 13/635,155 (Aug. 5, 2015).

Polymer & Material selection guide. (2005). Retrieved Oct. 3, 2014, from Robinson Rubber products Company Inc.

Office Action from Japanese Patent App. No. 2012-505615 (May 26, 2015).

Office Action from Japanese Patent App. No. 2014-009865 (Feb. 27, 2015).

* cited by examiner

FIG. 1

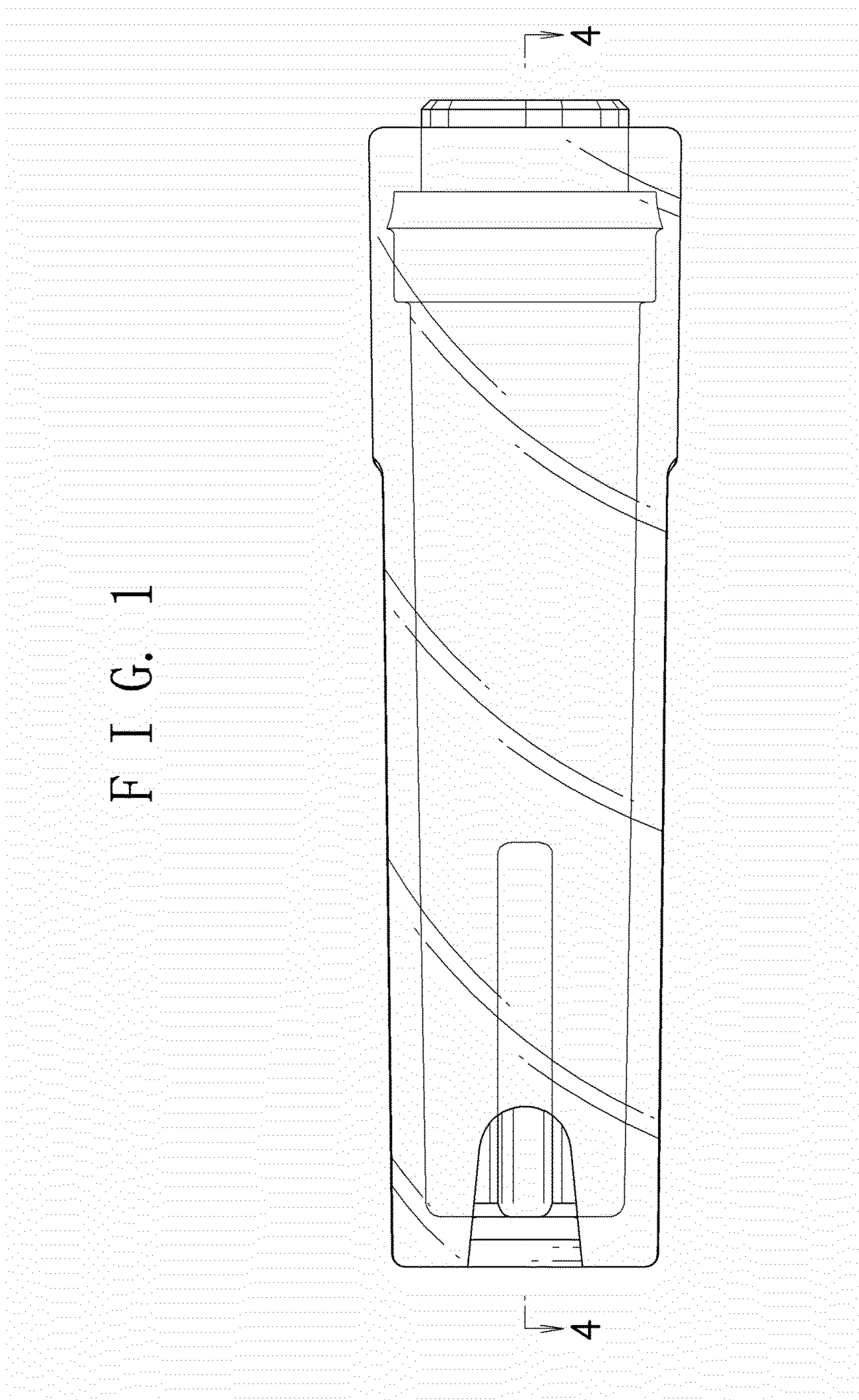


FIG. 2

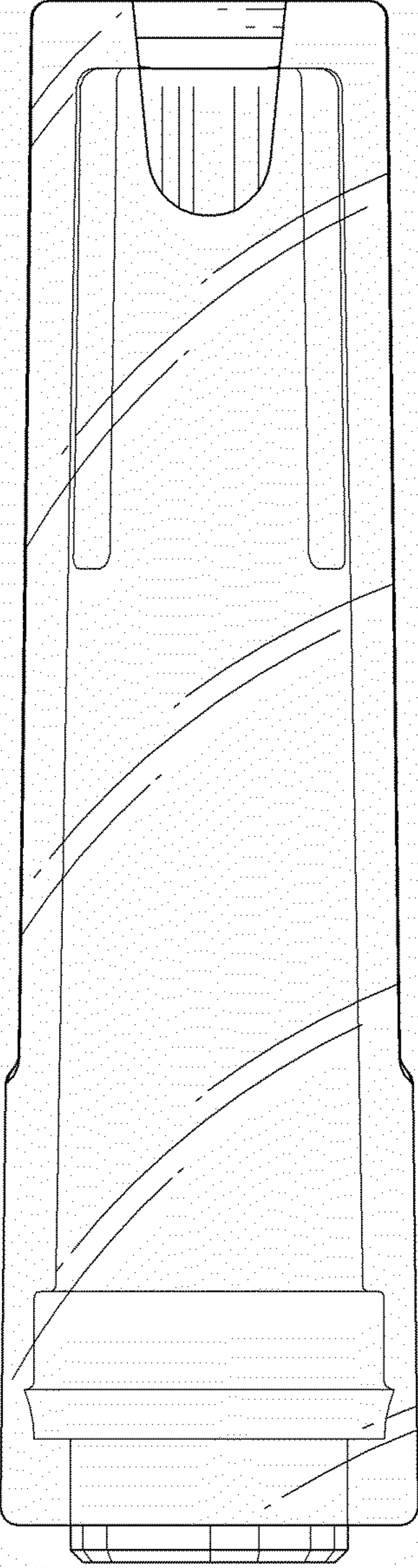


FIG. 3

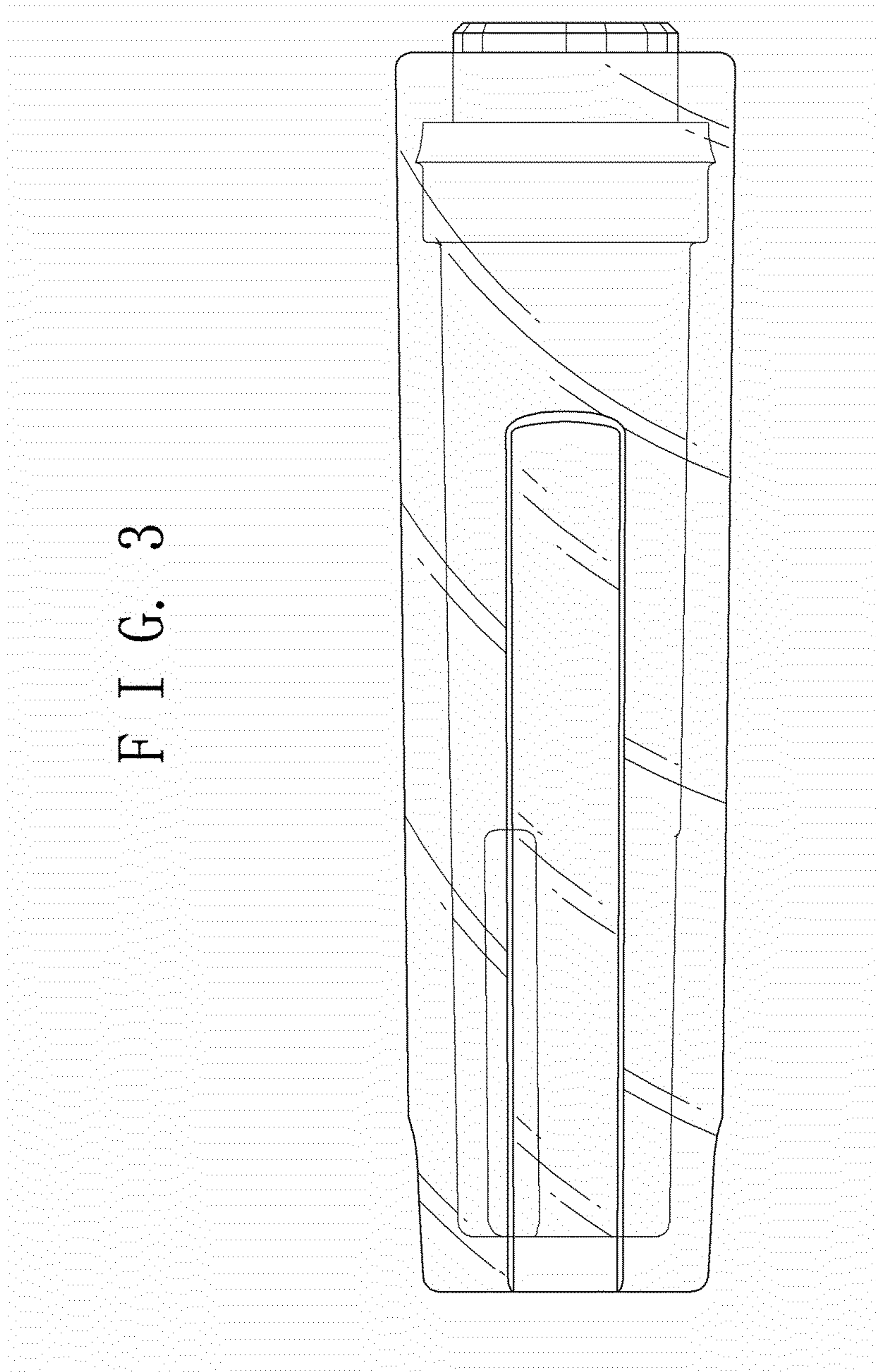


FIG. 4

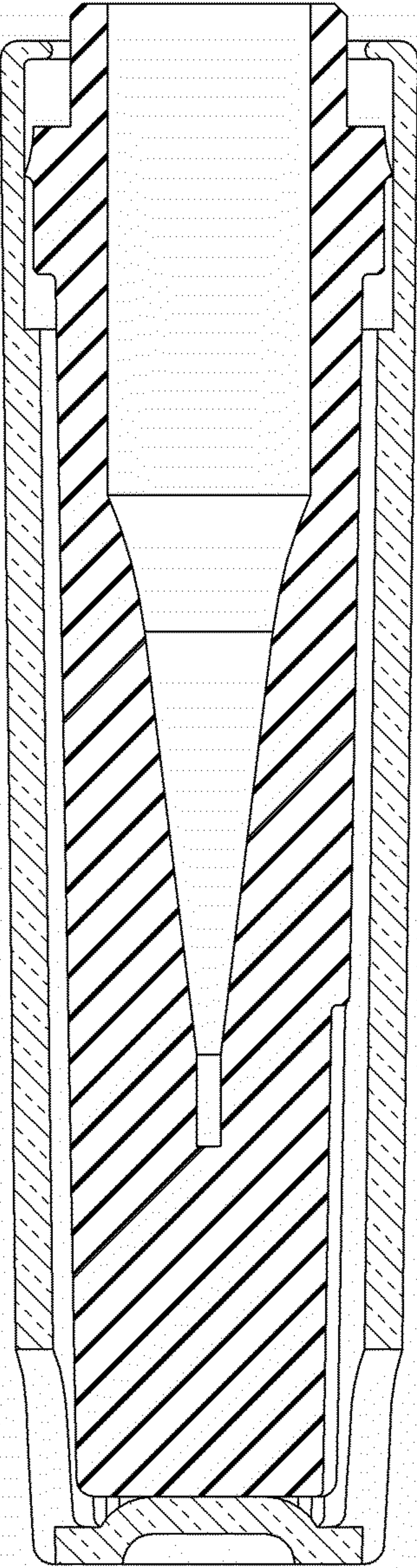


FIG. 5

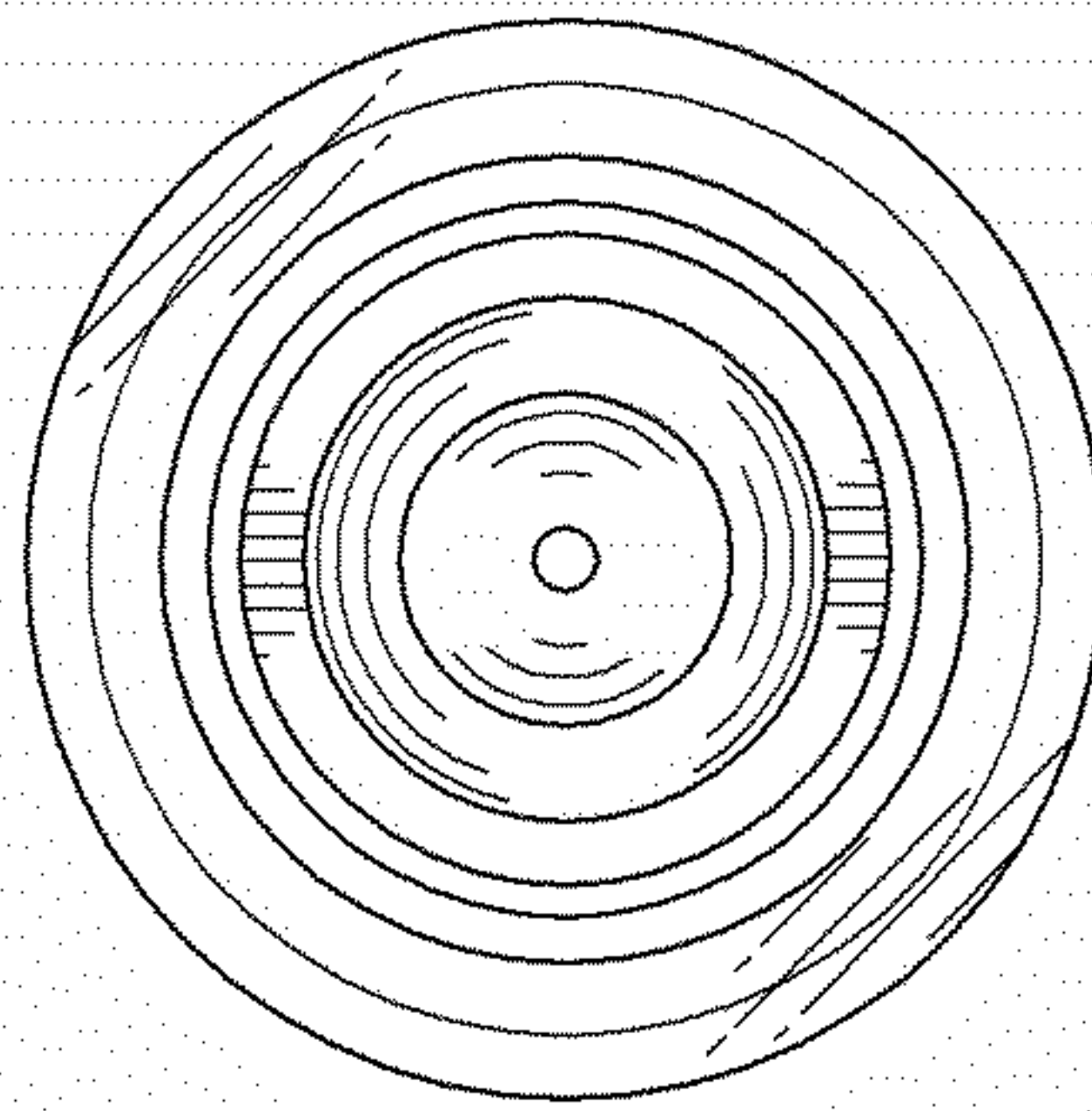


FIG. 6

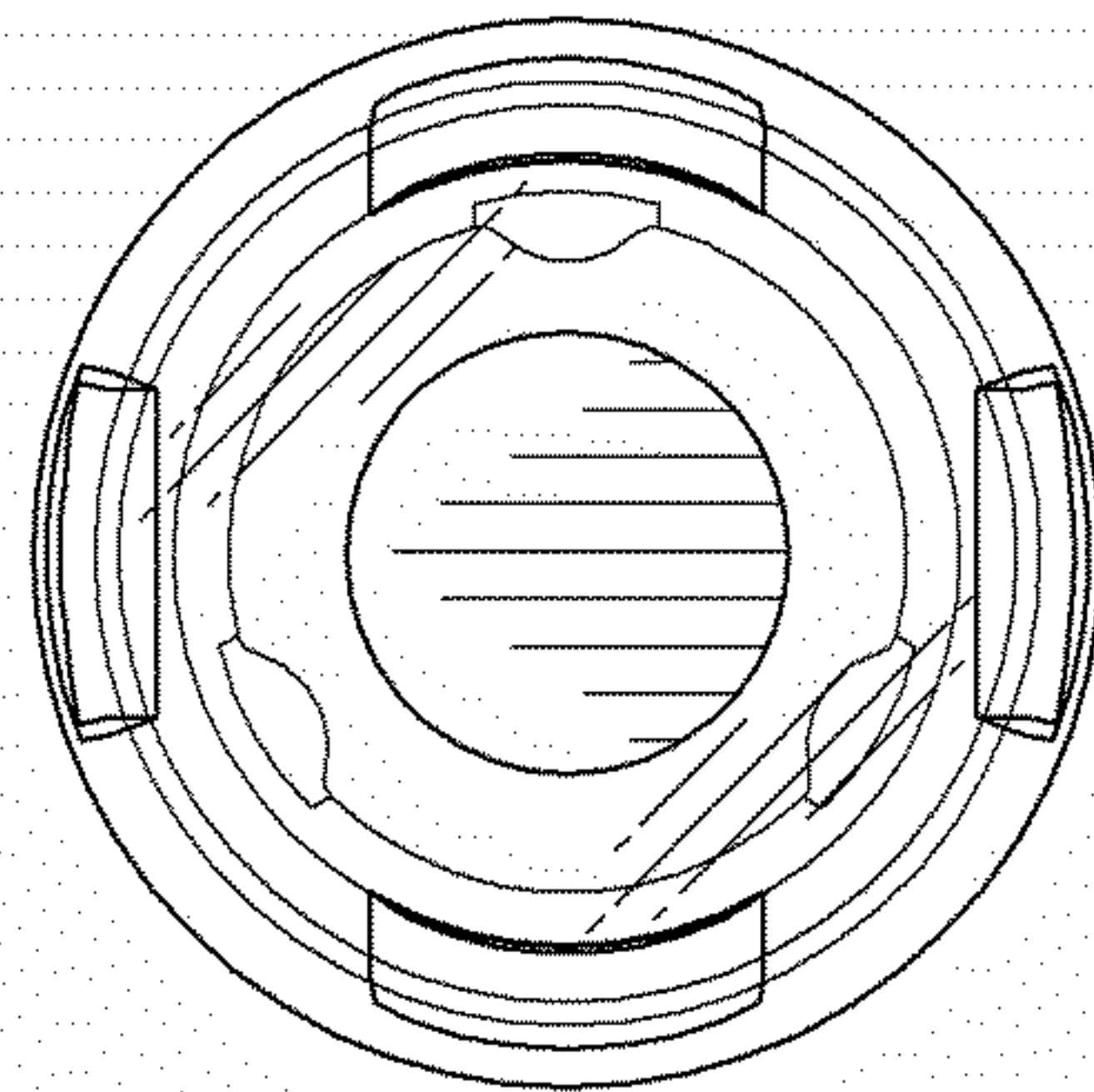


FIG. 7

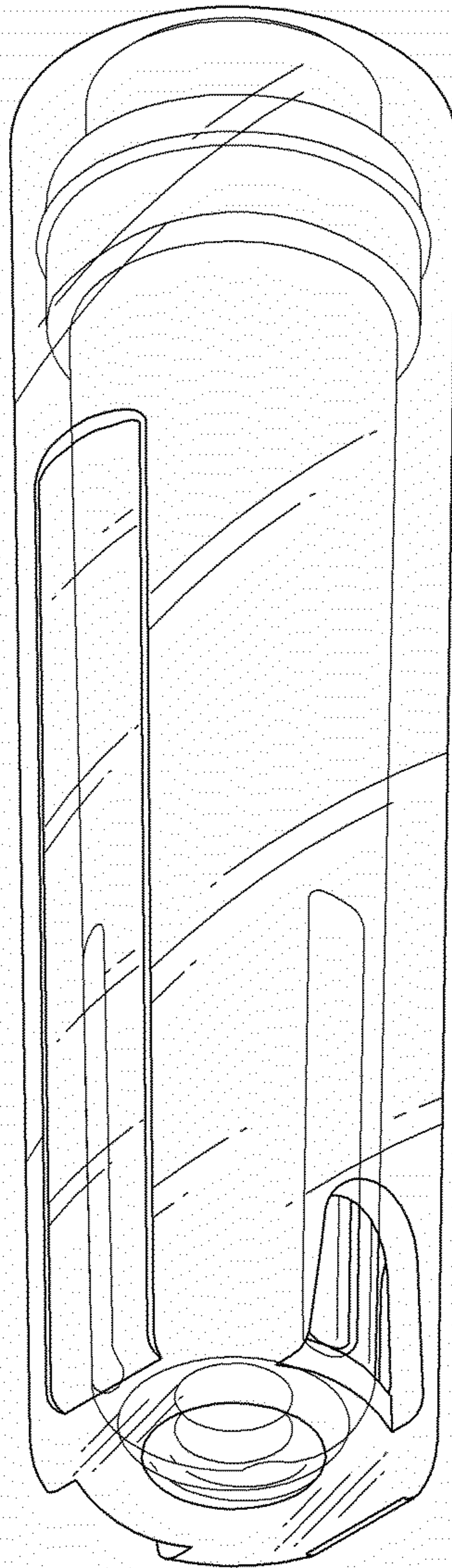


FIG. 8

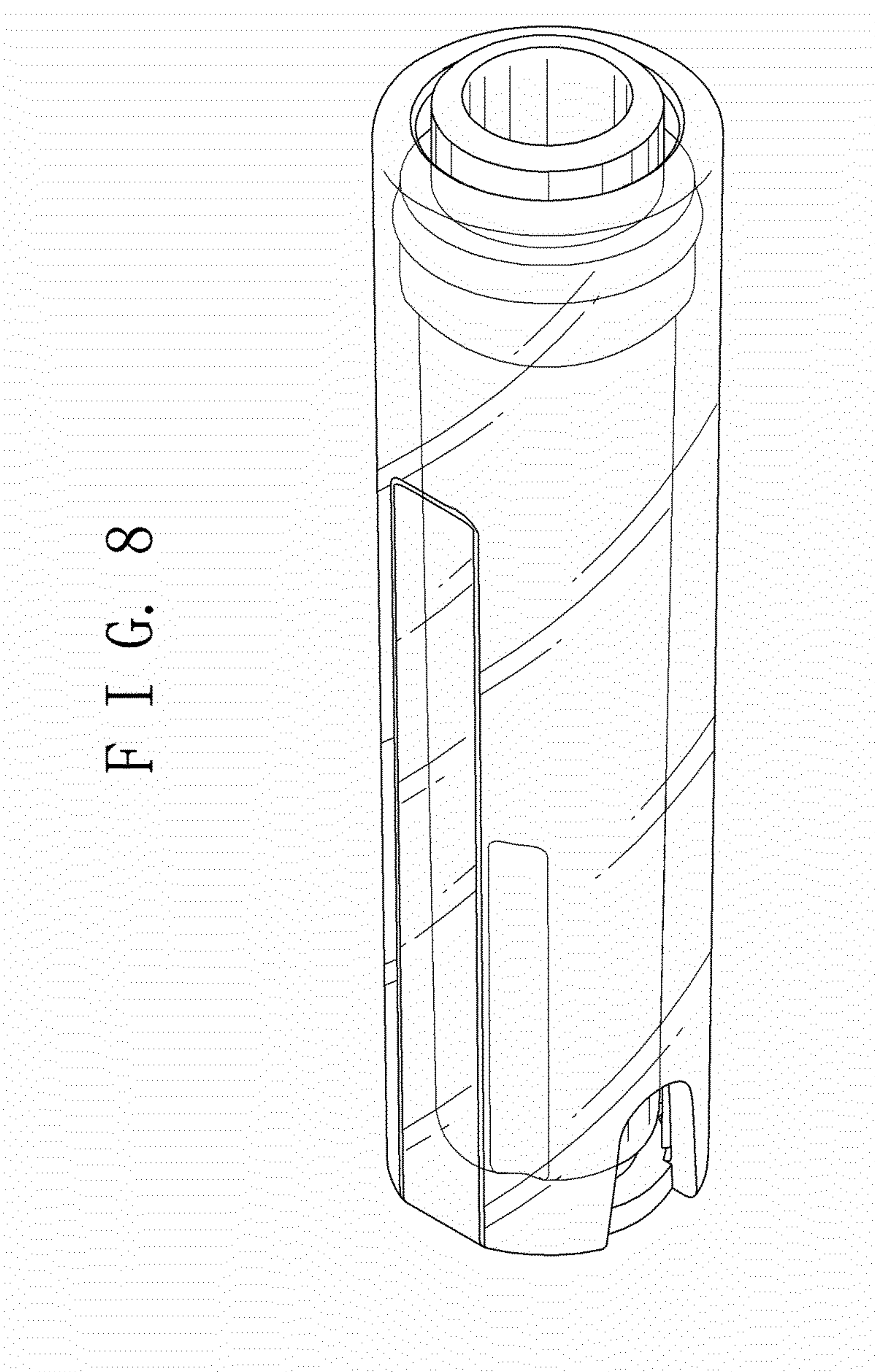


FIG. 9

