



US00D747474S

(12) **United States Design Patent**
Koizumi et al.

(10) **Patent No.:** **US D747,474 S**
(45) **Date of Patent:** **** Jan. 12, 2016**

(54) **CATHETER**

(71) Applicants: **ASAHI INTECC CO., LTD.**,
Nagoya-shi, Aichi (JP); **TOKAI UNIVERSITY EDUCATIONAL SYSTEM**, Tokyo (JP)
(72) Inventors: **Jun Koizumi**, Tokyo (JP); **Masaaki Nihonmatsu**, Kasugai (JP); **Yukiko Enami**, Seto (JP)
(73) Assignees: **ASAHI INTECC CO., LTD.**, Nagoya (JP); **TOKAI UNIVERSITY EDUCATIONAL SYSTEM**, Tokyo (JP)

(**) Term: **14 Years**
(21) Appl. No.: **29/502,860**
(22) Filed: **Sep. 19, 2014**

(30) **Foreign Application Priority Data**
Mar. 20, 2014 (JP) 2014-005997
(51) **LOC (10) Cl.** **24-02**
(52) **U.S. Cl.**
USPC **D24/130**
(58) **Field of Classification Search**
USPC D24/127-131, 112-114, 133, 186;
606/181, 185; 604/264, 523-528, 272,
604/187, 158, 164.01-164.11, 181, 184,
604/227; 600/101, 139, 143; 128/200.24,
128/207.14, 207.15
CPC . A61M 25/065; A61M 5/42; A61M 25/0612;
A61M 25/00; A61M 27/00; A61M 25/0067;
A61M 25/0097
See application file for complete search history.

(56) **References Cited**

U.S. PATENT DOCUMENTS

4,169,464 A	10/1979	Obrez	
D611,601 S *	3/2010	Tamai	D24/133
D616,087 S *	5/2010	Brigatti	D24/112
D616,088 S *	5/2010	Brigatti	D24/112
D616,540 S *	5/2010	Brigatti	D24/112
8,246,603 B2	8/2012	Takagi et al.	
D669,983 S *	10/2012	Dapri	D24/133

(Continued)

FOREIGN PATENT DOCUMENTS

JP	2006-218070	8/2006
----	-------------	--------

OTHER PUBLICATIONS

Apr. 10, 2015 Notification of Reasons for Refusal issued in Korean Patent Application No. 30-2014-0043459.

(Continued)

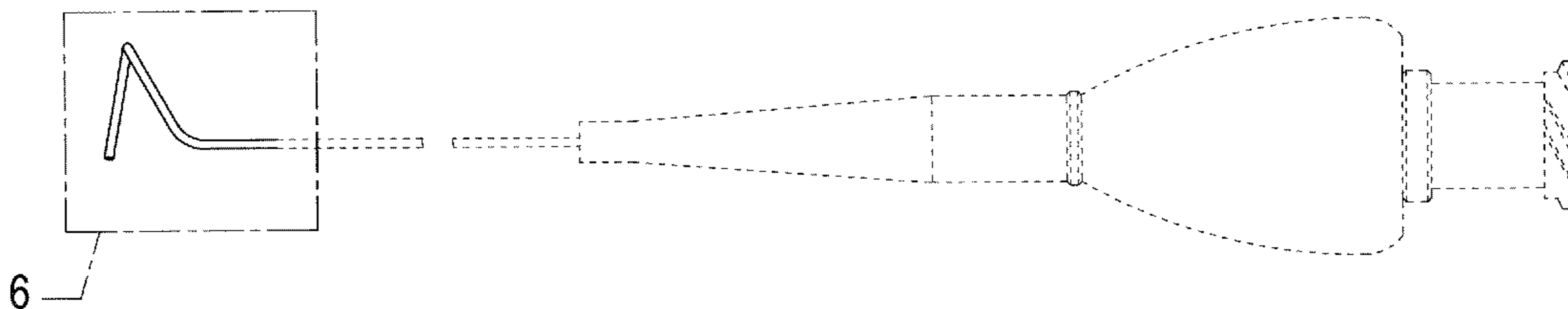
Primary Examiner — David Muller
(74) *Attorney, Agent, or Firm* — Oliff PLC

(57) **CLAIM**
The ornamental design for a catheter, as shown and described.

DESCRIPTION

FIG. 1 is a front view of a catheter;
FIG. 2 is a rear view thereof;
FIG. 3 is a left-side view thereof;
FIG. 4 is a top view thereof;
FIG. 5 is a bottom view thereof;
FIG. 6 is an enlarged view of the portion labeled 6 in FIG. 1;
FIG. 7 is an enlarged view of the portion labeled 7 in FIG. 5;
FIG. 8 is a cross-sectional view taken along the line labeled 8-8 in FIG. 6; and,
FIG. 9 is an enlarged view of the portion labeled 9 in FIG. 8.
The broken lines depict environmental subject matter only and form no part of the claimed design. The right-side view is not depicted because it contains environmental subject matter only.

1 Claim, 4 Drawing Sheets



(56)

References Cited

U.S. PATENT DOCUMENTS

D670,381 S * 11/2012 Dapri D24/133
D688,797 S * 8/2013 Nihonmatsu D24/130
D703,813 S * 4/2014 Bolia D24/133
D703,814 S * 4/2014 Bolia D24/133
D703,815 S * 4/2014 Bolia D24/133
D704,335 S * 5/2014 Bolia D24/133
8,777,929 B2 * 7/2014 Schneider A61M 25/0136
604/528
8,977,333 B2 * 3/2015 Anderson A61B 5/0422
600/374

OTHER PUBLICATIONS

Nov. 6, 2014 Notification of Reasons for Refusal issued in Japanese
Patent Application No. JP-2014-005997.

Nov. 6, 2014 Notification of Reasons for Refusal issued in Japanese
Patent Application No. JP-2014-005998.

Design U.S. Appl. No. 29/502,858, filed Sep. 19, 2014.

Oct. 1, 2015 Office Action issued in U.S. Appl. No. 29/502,858.

* cited by examiner

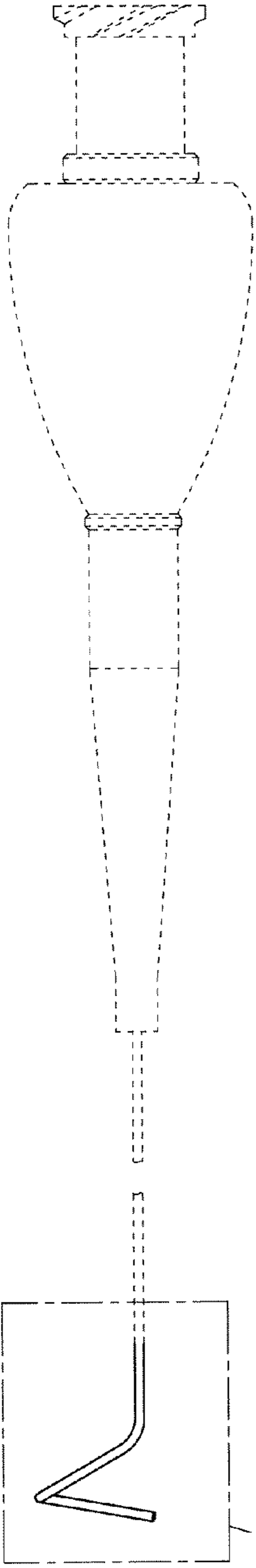


FIG. 1

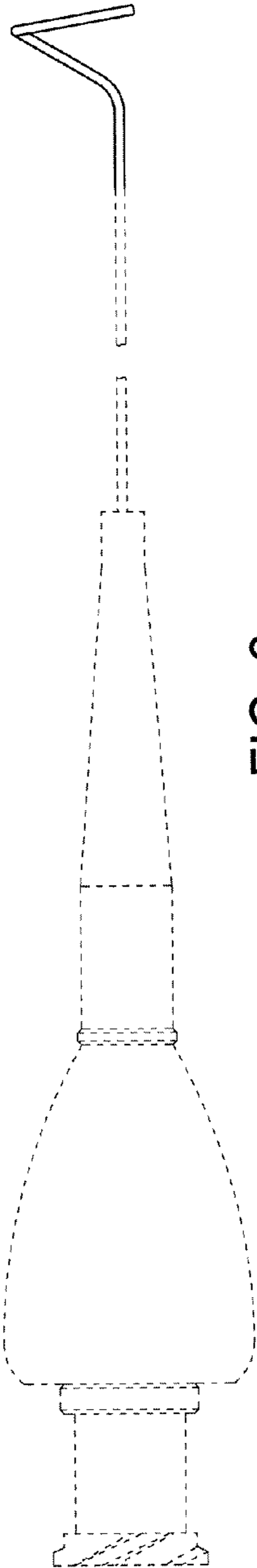


FIG. 2

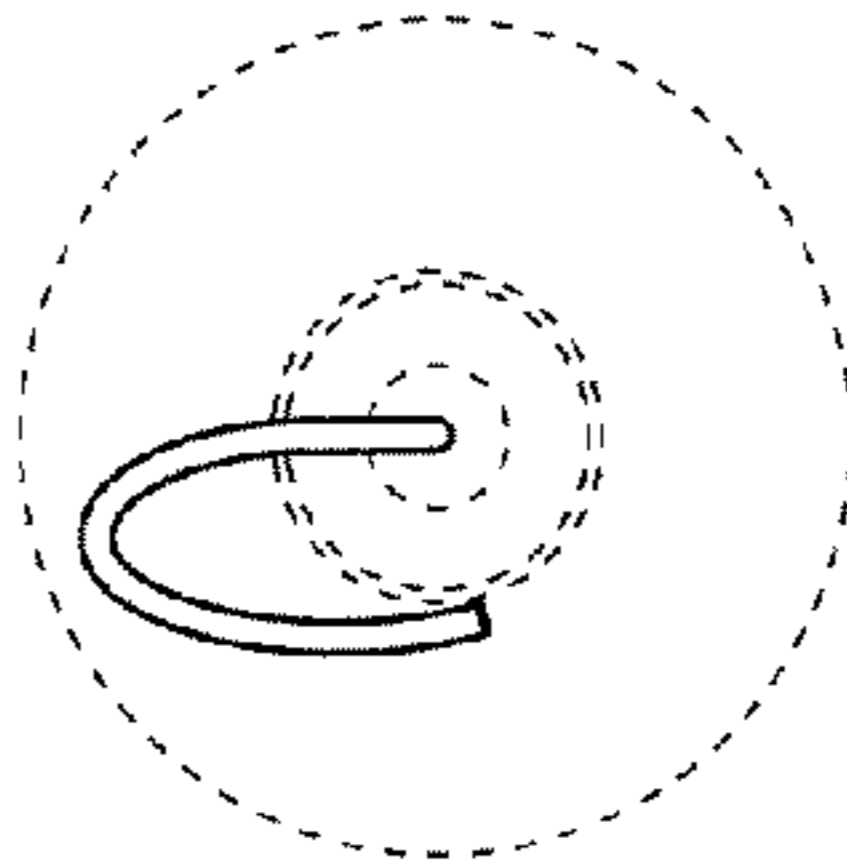


FIG. 3

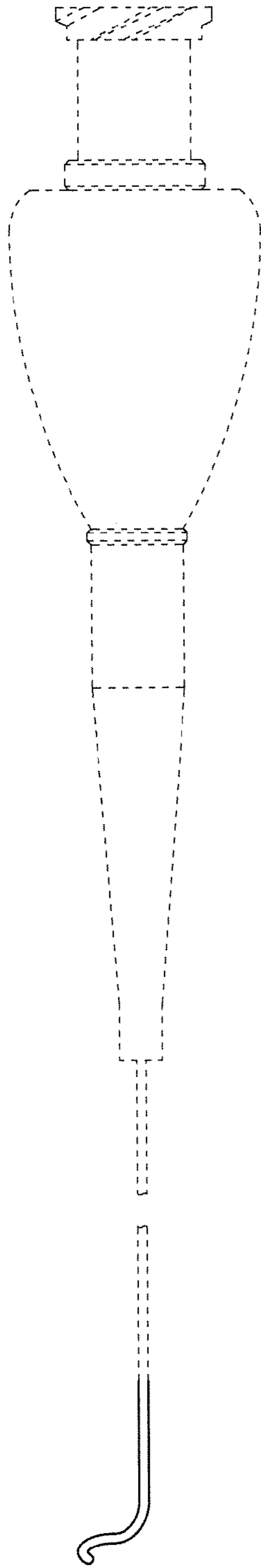


FIG. 4

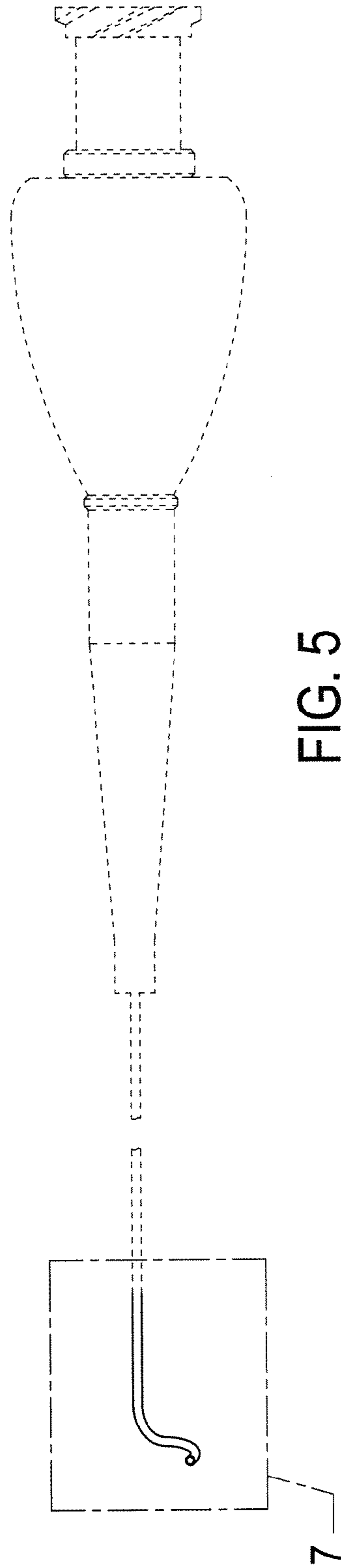


FIG. 5

7

FIG. 6

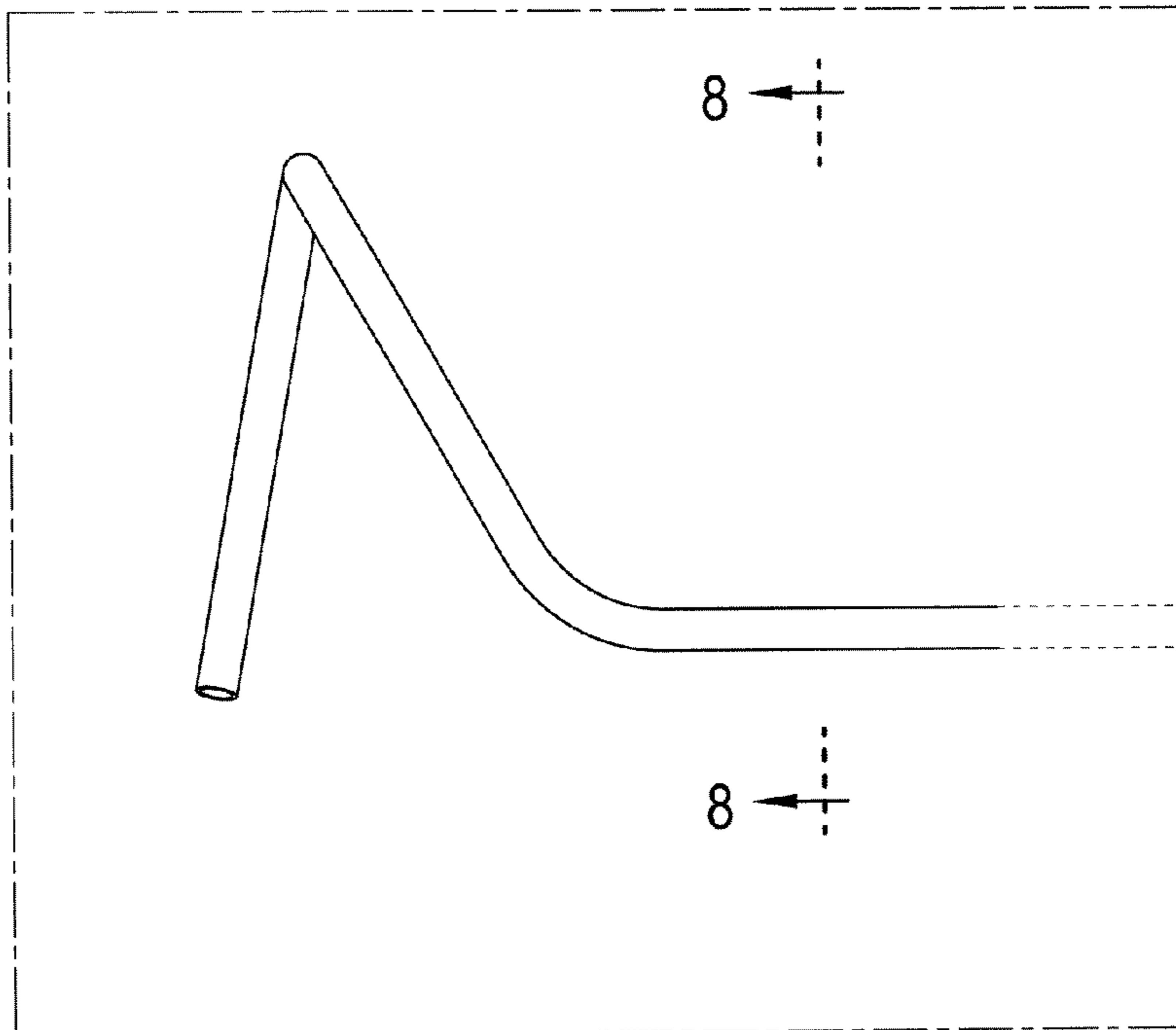
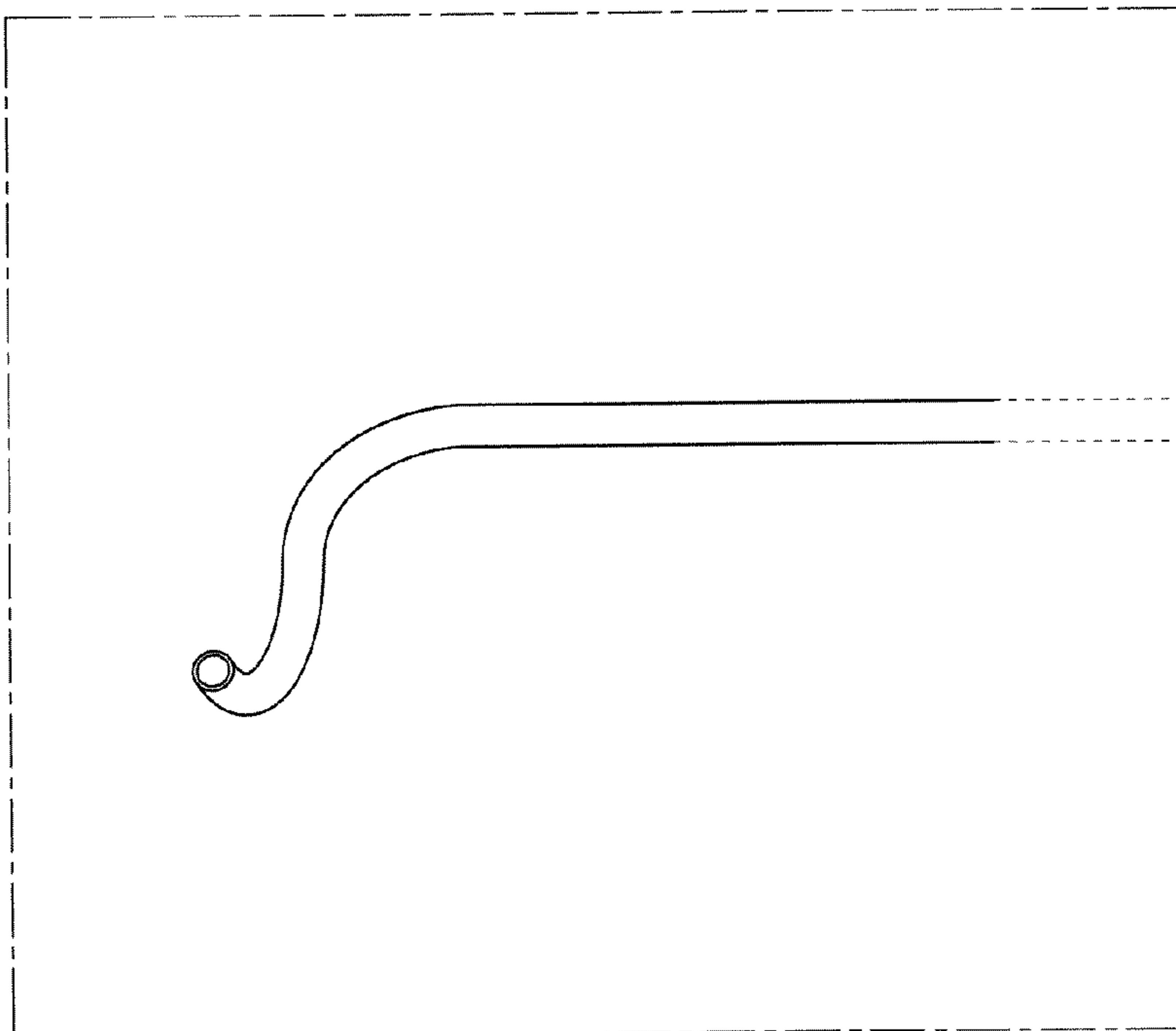


FIG. 7



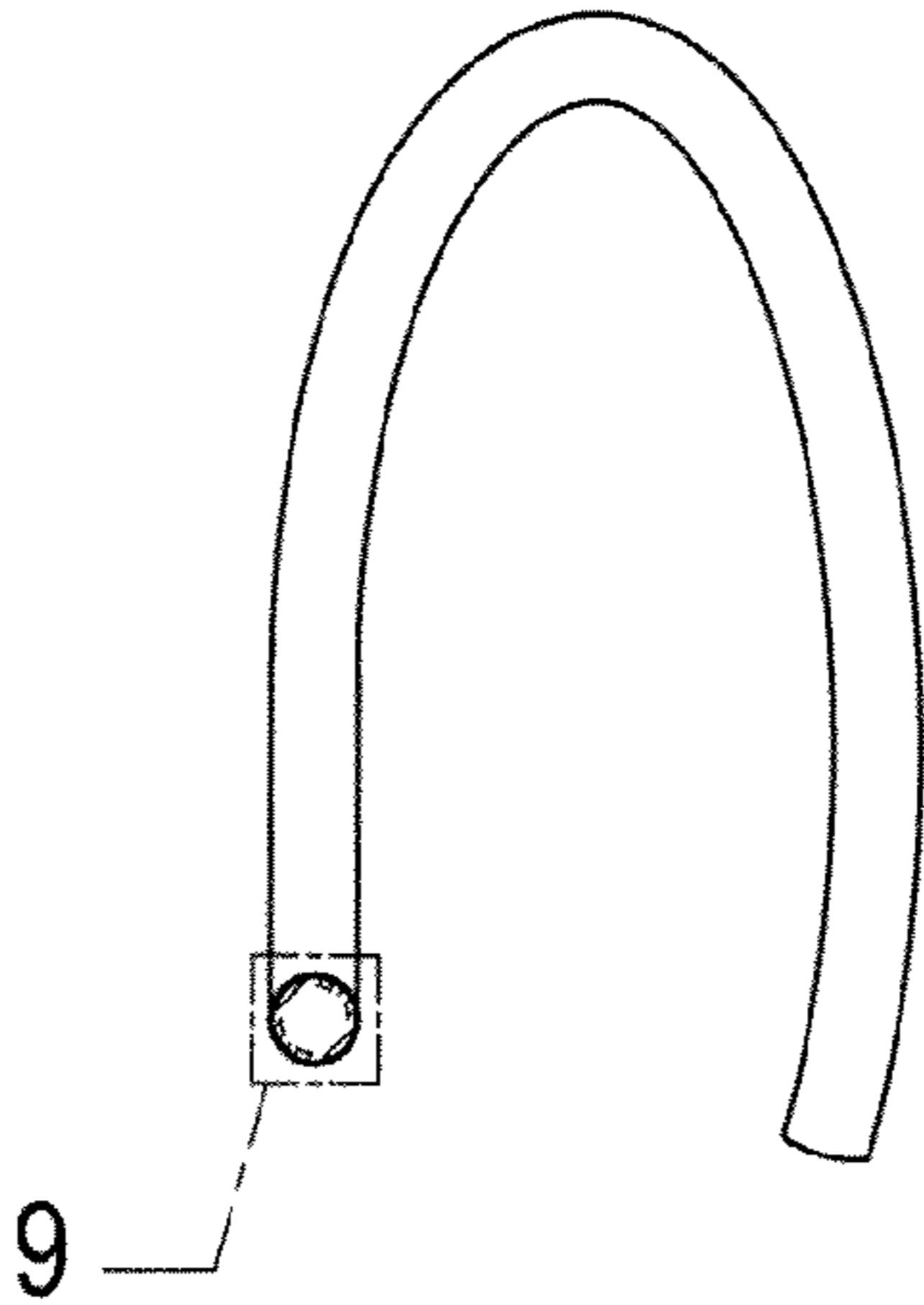


FIG. 8

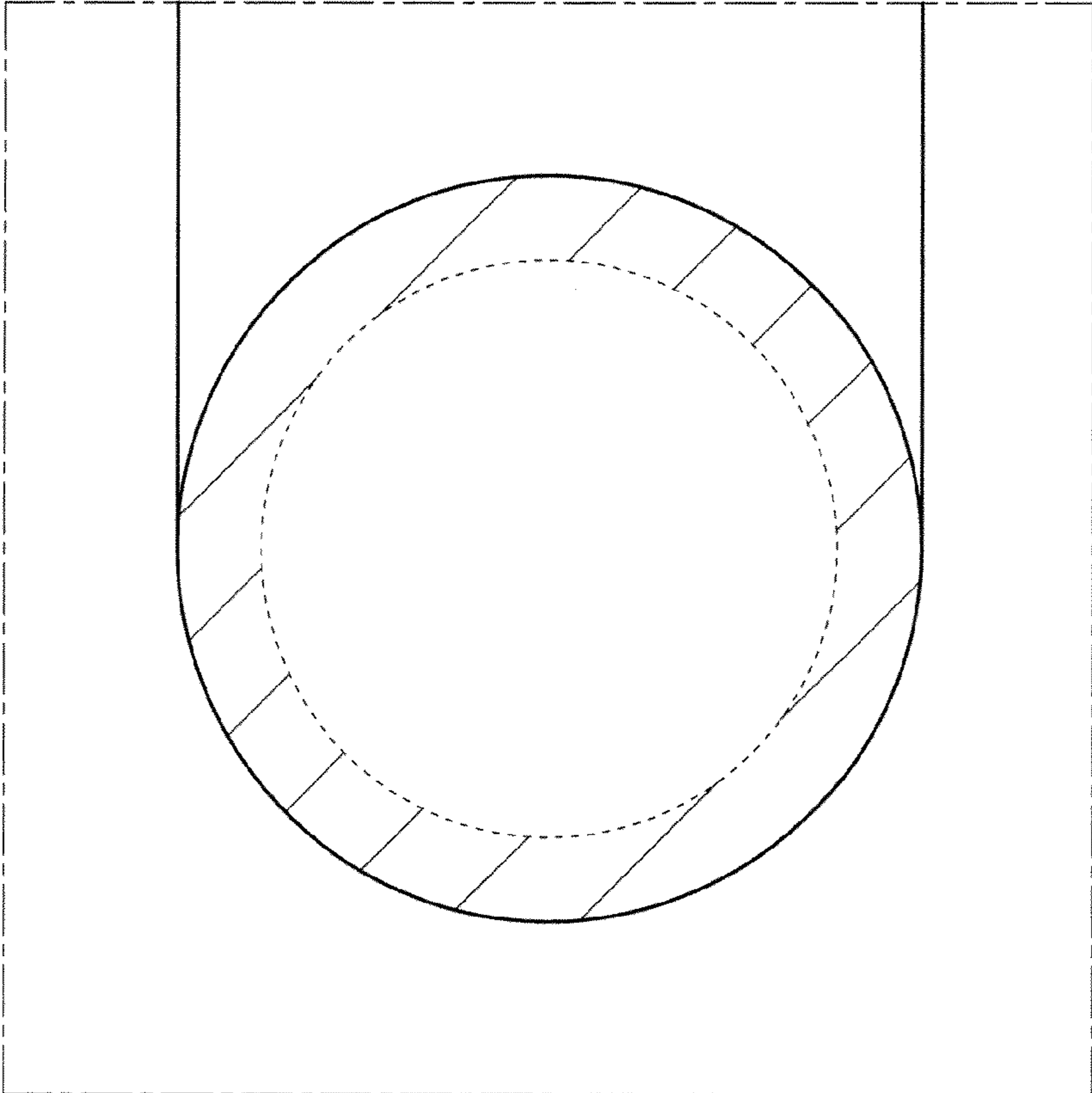


FIG. 9