



US00D747472S

(12) **United States Design Patent**
Bradley et al.

(10) **Patent No.:** **US D747,472 S**
(45) **Date of Patent:** **** Jan. 12, 2016**

- (54) **FLUID TRANSFER DEVICE**
- (71) Applicant: **Zoetis Services LLC**, Florham Park, NJ (US)
- (72) Inventors: **Christopher Michael Bradley**, Orinda, CA (US); **Roland Jeffrey Wyatt**, Bozeman, MT (US); **Jeffrey Alan Tilley**, La Honda, CA (US)
- (73) Assignee: **ZOETIS SERVICES LLC**, Florham Park, NJ (US)
- (**) Term: **14 Years**

6,253,804	B1	7/2001	Safabash	
6,558,365	B2	5/2003	Zinger et al.	
D540,466	S *	4/2007	Homra et al.	D24/128
7,294,122	B2	11/2007	Kubo et al.	
7,491,197	B2	2/2009	Jansen et al.	
7,540,863	B2	6/2009	Haindl	
D641,080	S *	7/2011	Zinger et al.	D24/129
D720,451	S *	12/2014	Denenburg et al.	D24/129
8,926,583	B2 *	1/2015	Ellstrom et al.	604/415
2010/0168664	A1 *	7/2010	Zinger et al.	604/89
2011/0087164	A1	4/2011	Mosler et al.	
2012/0078214	A1	3/2012	Finke et al.	
2012/0078215	A1	3/2012	Finke et al.	
2013/0046269	A1 *	2/2013	Lev et al.	604/405
2014/0352845	A1 *	12/2014	Lev et al.	141/329
2015/0082746	A1 *	3/2015	Ivosevic et al.	53/381.1

(Continued)

- (21) Appl. No.: **29/478,482**
- (22) Filed: **Jan. 6, 2014**
- (51) **LOC (10) Cl.** **24-02**
- (52) **U.S. Cl.**
USPC **D24/129**
- (58) **Field of Classification Search**
USPC D24/127-131, 112-114, 133, 186;
606/181, 185; 604/264, 272, 115, 232,
604/187, 158, 164.08, 192, 263, 163, 181,
604/184, 198, 227; 600/101, 139, 143;
128/200.24, 207.14, 207.15;
D19/115-123, 177, 193
CPC A61M 5/3156; A61M 5/31591; A61M
5/3155; A61M 5/3157; A61M 5/24; A61M
5/31501; A61M 5/31551; A61M 5/31585;
A61M 2005/2407; A61M 2005/2492; A61M
2205/581; A61M 2205/582
See application file for complete search history.

FOREIGN PATENT DOCUMENTS

DE	202007008664	11/2007
GB	2264702 B2	9/1993

(Continued)

Primary Examiner — David Muller
Assistant Examiner — Nathan Johnston
 (74) *Attorney, Agent, or Firm* — Barbara L. Renda; Scott C. Mayhew

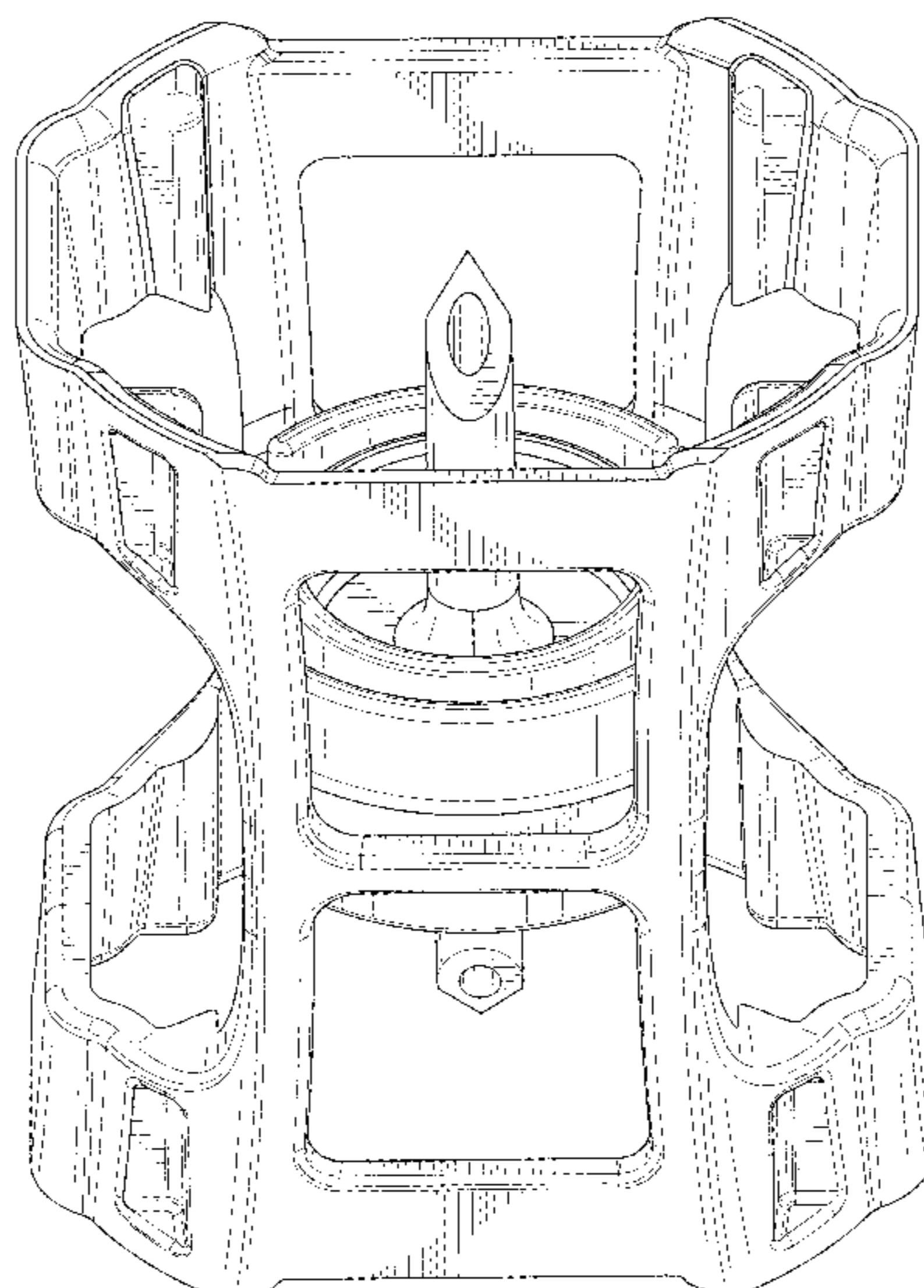
(57) **CLAIM**
 The ornamental design for a fluid transfer device, as shown and described.

DESCRIPTION

FIG. 1 is a top front perspective view of a fluid transfer device in accordance with the present design;
 FIG. 2 is a bottom perspective view thereof;
 FIG. 3 is a top side perspective view thereof;
 FIG. 4 is a bottom side perspective view thereof;
 FIG. 5 is a top rear side perspective view thereof;
 FIG. 6 is a front elevation view thereof; and,
 FIG. 7 is a side elevation view thereof.

1 Claim, 7 Drawing Sheets

- (56) **References Cited**
 U.S. PATENT DOCUMENTS
 D300,246 S 3/1989 Brown et al.
 D303,710 S * 9/1989 Neill D24/232
 D362,718 S * 9/1995 Deily et al. D24/129



(56)

References Cited

FOREIGN PATENT DOCUMENTS

U.S. PATENT DOCUMENTS

2015/0088078 A1* 3/2015 Lev et al. 604/205
2015/0112297 A1* 4/2015 Lev et al. 604/414

WO WO 2011/004360 1/2011
WO WO 2012/139813 10/2012

* cited by examiner

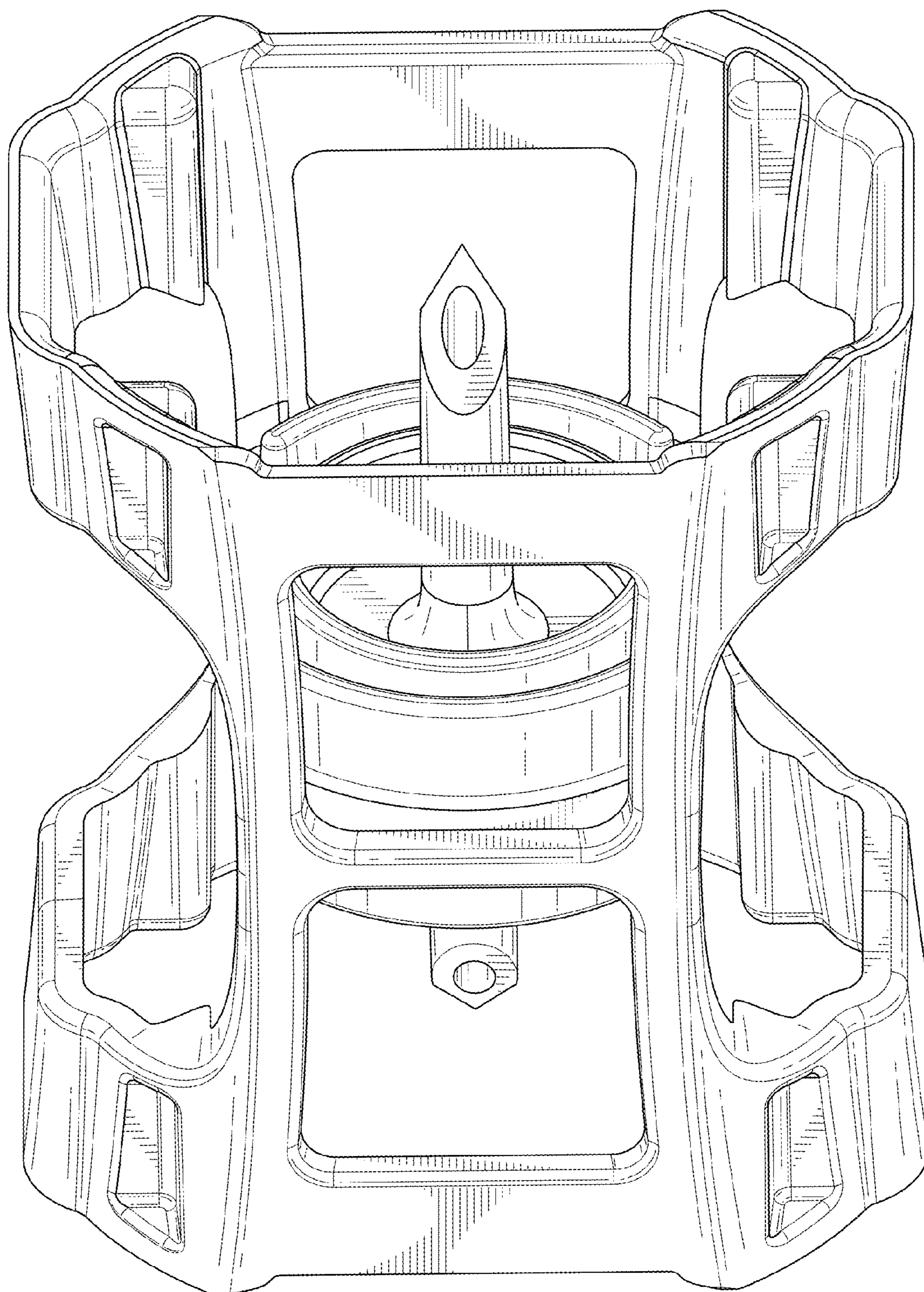


FIG. 1

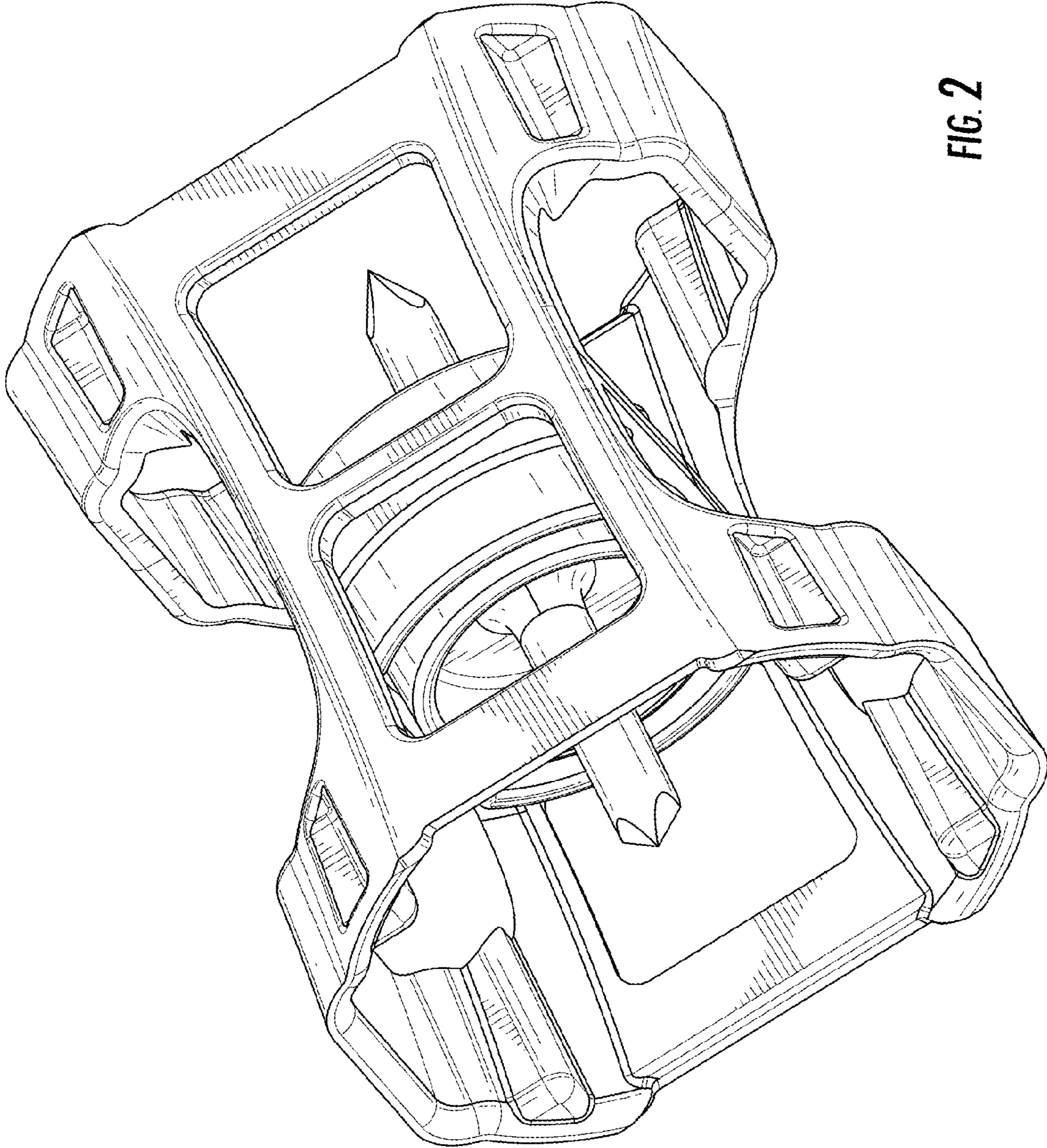


FIG. 2

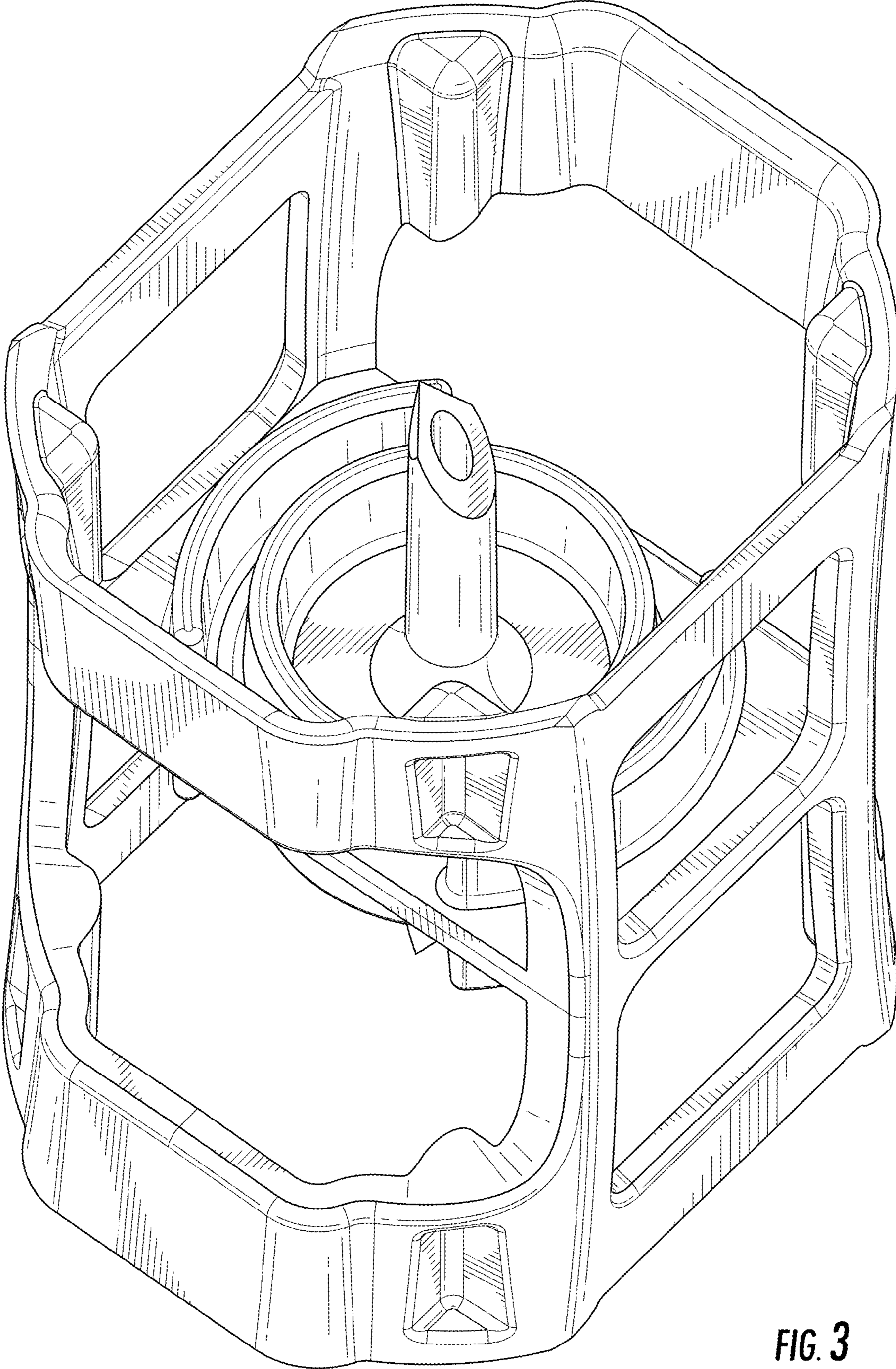


FIG. 3

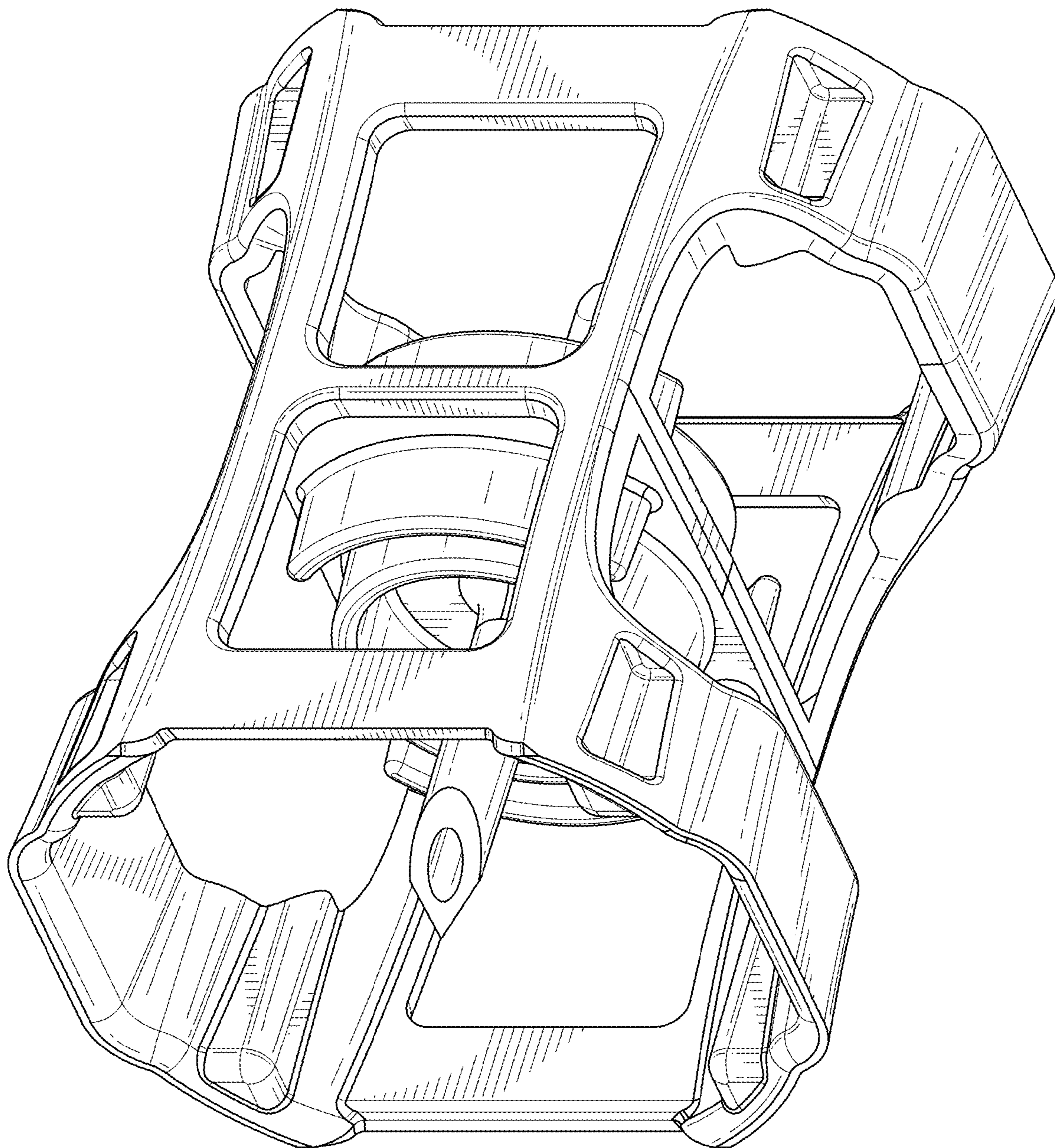


FIG. 4

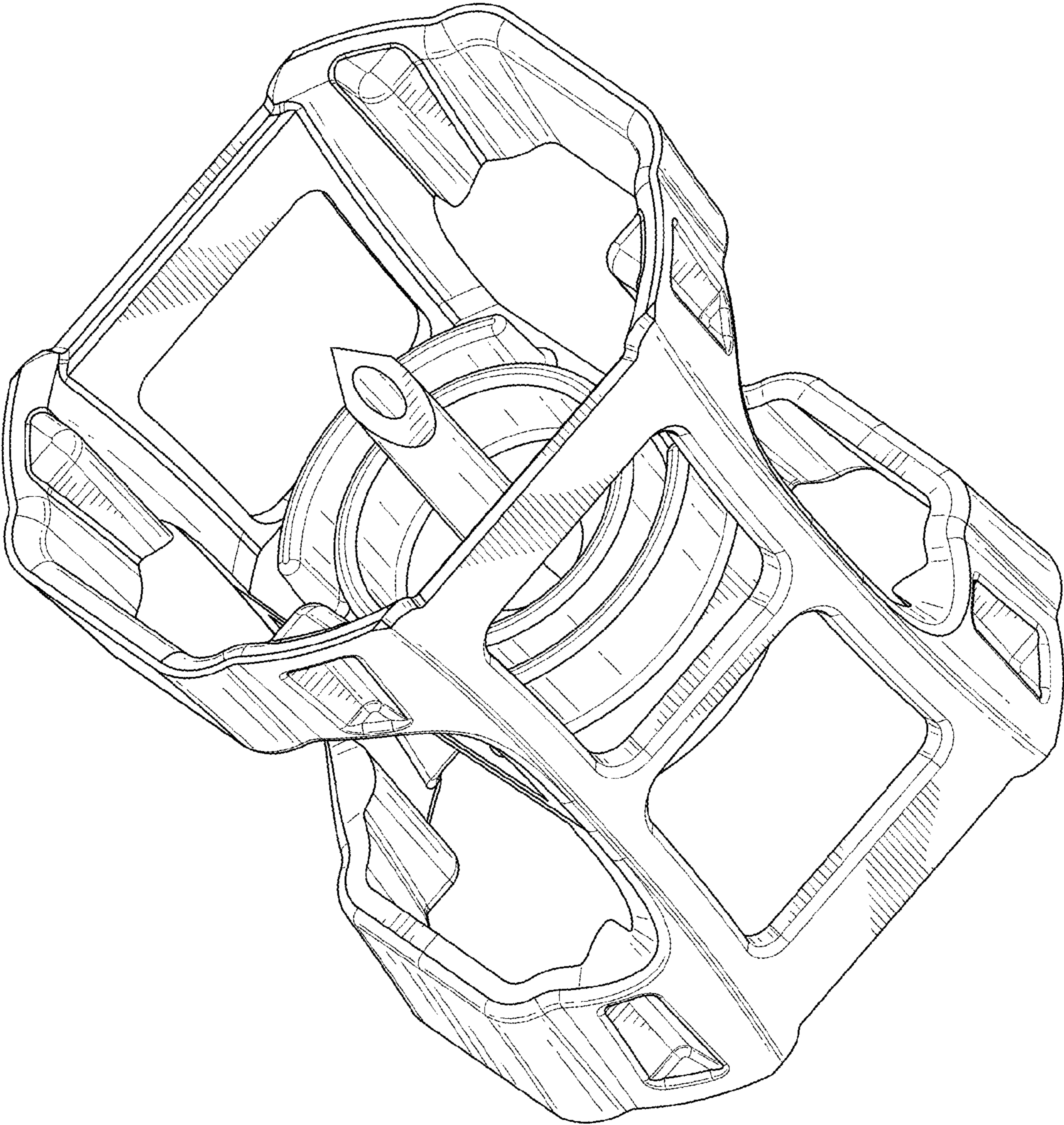


FIG. 5

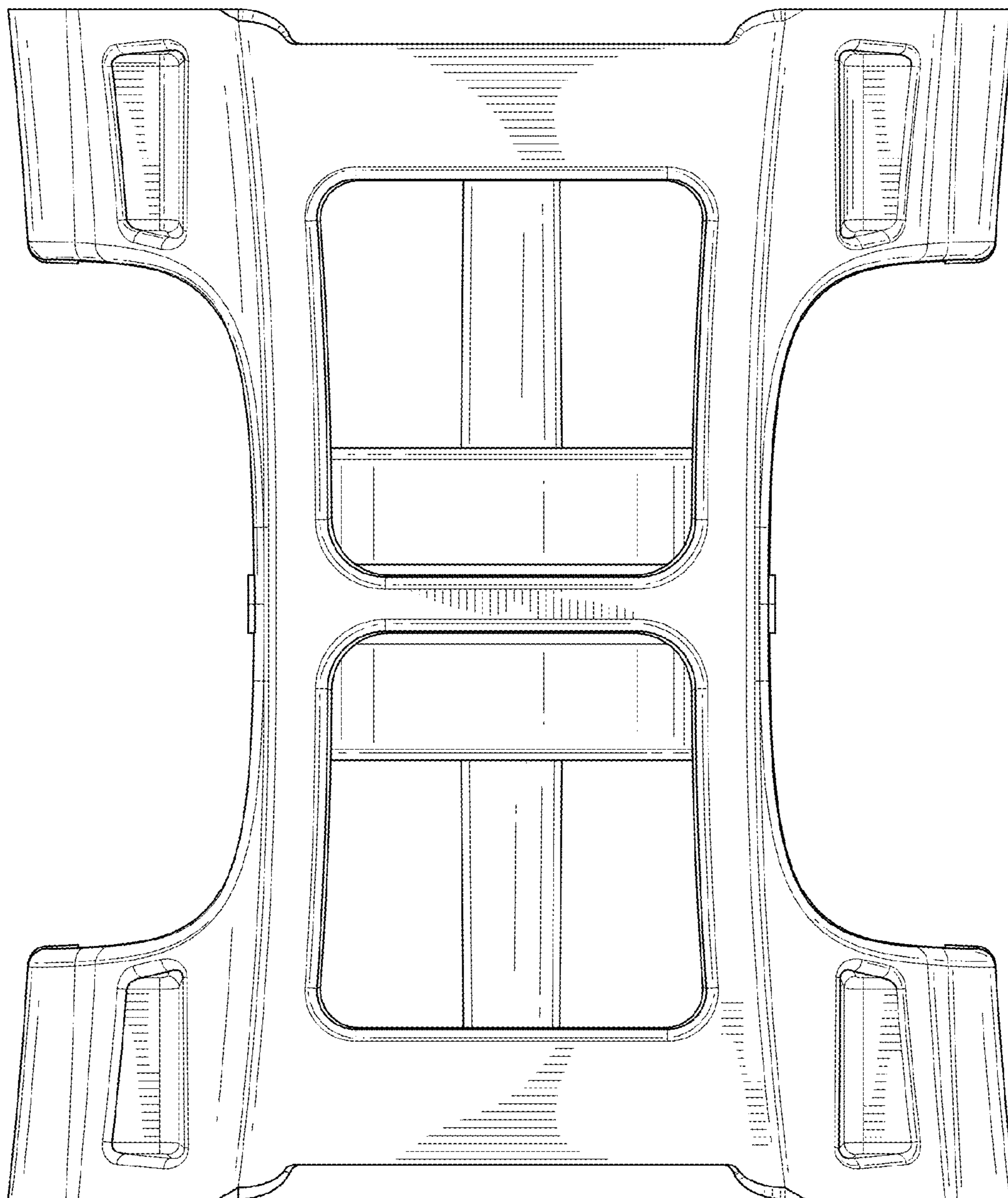


FIG. 6

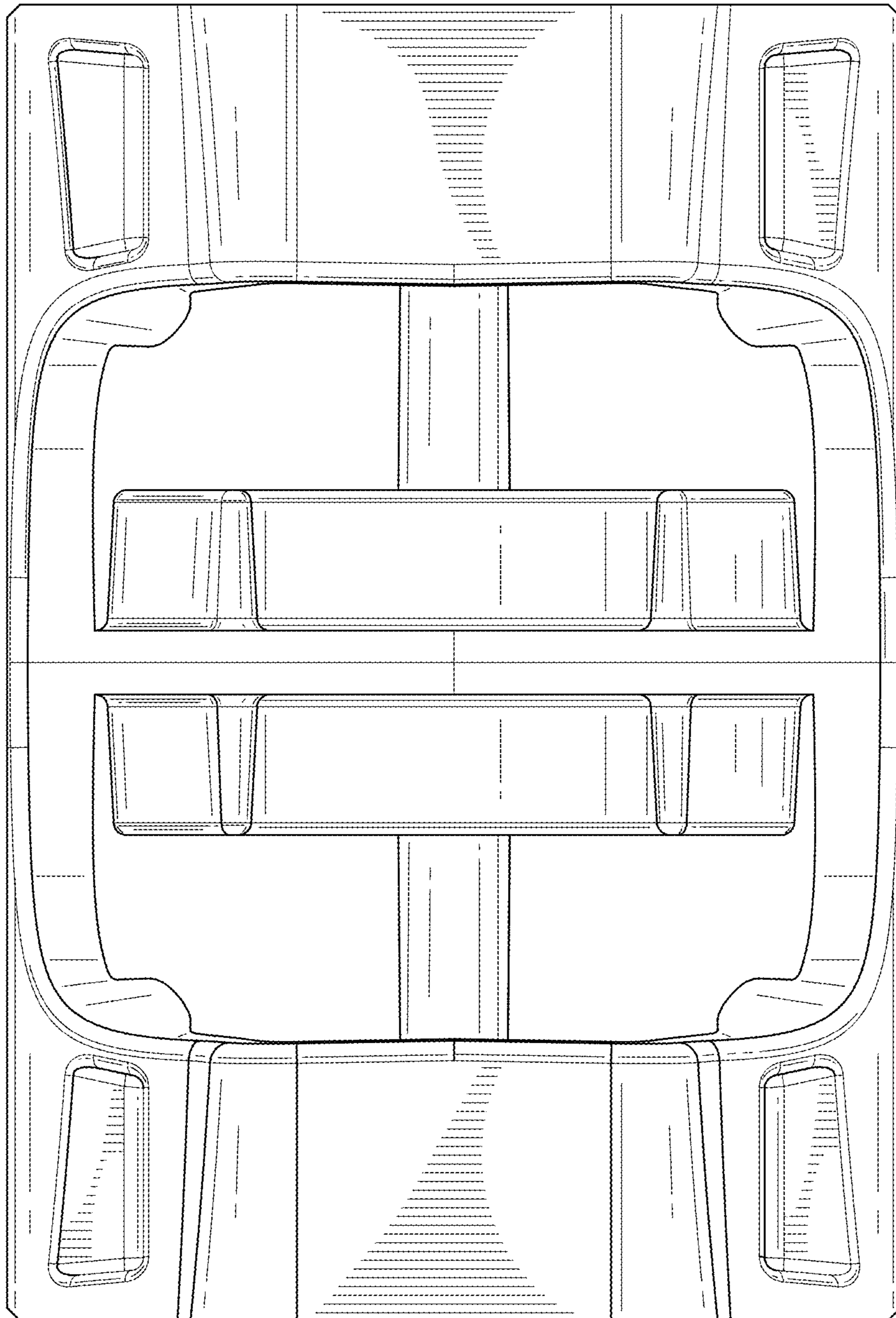


FIG. 7