



US00D747471S

(12) **United States Design Patent**
Gulliver et al.

(10) **Patent No.:** **US D747,471 S**
(45) **Date of Patent:** **** Jan. 12, 2016**

(54) **CONNECTOR**

(75) Inventors: **Laurence Gulliver**, Auckland (NZ);
Michael Paul Ronayne, Auckland (NZ);
Charles William Douglas Irving,
Bristol (GB); **Mark Thomas O'Connor**,
Auckland (NZ)

(73) Assignee: **Fisher & Paykel Healthcare Limited**,
Auckland (NZ)

(**) Term: **14 Years**

(21) Appl. No.: **29/429,467**

(22) Filed: **Aug. 10, 2012**

(51) **LOC (10) Cl.** **24-01**

(52) **U.S. Cl.**
USPC **D24/129**

(58) **Field of Classification Search**
USPC 604/19, 48, 93.1, 246, 533, 537, 538,
604/26, 24, 23; D24/107, 108, 110, 110.6,
D24/127, 129, 231; 600/300, 529, 532, 533,
600/538; 606/1, 151, 155
CPC A61M 16/0816; A61M 6/0875; A61M
16/0672; A61M 16/161; A61M 16/0875
See application file for complete search history.

(56) **References Cited**

U.S. PATENT DOCUMENTS

3,513,844	A	5/1970	Smith	
4,446,869	A	5/1984	Knodle	
4,584,997	A	4/1986	DeLong	
4,589,684	A	5/1986	Nowacki et al.	
5,040,527	A *	8/1991	Larson et al.	128/200.23
5,335,656	A	8/1994	Bowe et al.	
6,439,234	B1	8/2002	Curti et al.	
D551,340	S	9/2007	Wood et al.	
D627,059	S	11/2010	Wood et al.	
8,317,203	B2 *	11/2012	Hermle et al.	279/23.1
8,485,193	B2 *	7/2013	Worley	128/207.14

8,534,278	B2	9/2013	Colman et al.	
D691,717	S *	10/2013	McLean et al.	D24/129
D695,890	S *	12/2013	Bowden et al.	D24/110.6
D697,200	S *	1/2014	Mahaffy	D24/110
2005/0028822	A1	2/2005	Sleeper et al.	
2006/0107958	A1	5/2006	Sleeper	
2006/0107960	A1	5/2006	Smart	
2007/0043334	A1 *	2/2007	Guala	604/533
2007/0088327	A1 *	4/2007	Guala	604/533

(Continued)

FOREIGN PATENT DOCUMENTS

WO	WO 03/082406	A2	10/2003
WO	WO 2013022356	A1 *	2/2013

OTHER PUBLICATIONS

International Search Report and Written Opinion; PCT/NZ2010/000142; dated Jan. 22, 2013; 14 pages.

Primary Examiner — Sandra Snapp

Assistant Examiner — Ieisha Price

(74) *Attorney, Agent, or Firm* — Knobbe, Martens, Olson & Bear, LLP

(57) **CLAIM**

The ornamental design for a connector, as shown and described.

DESCRIPTION

FIG. 1 is a front, top and side perspective view of a connector. FIG. 2 is a back, top, and side perspective view thereof. FIG. 3 is a top view thereof, with the bottom view being a mirror image.

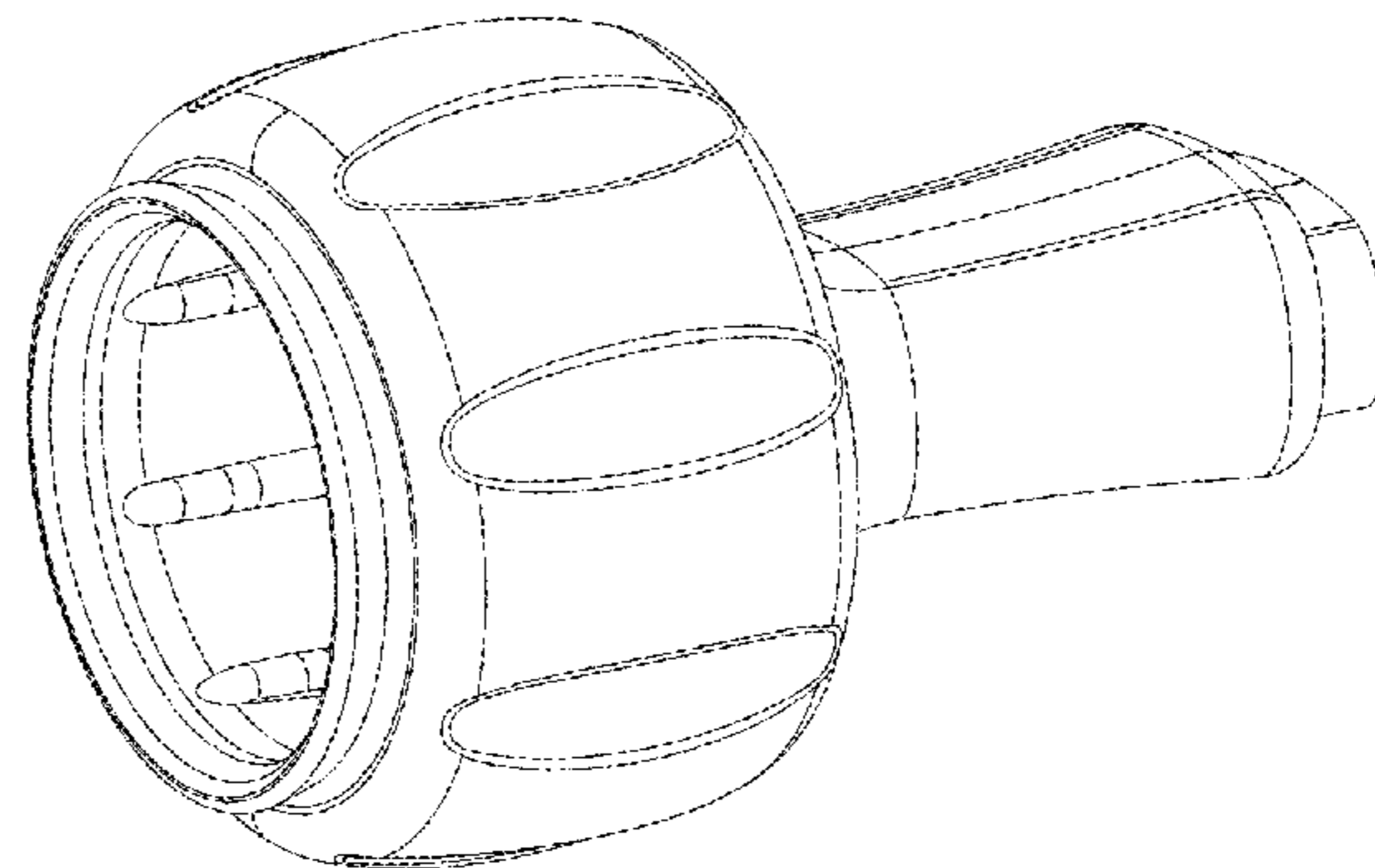
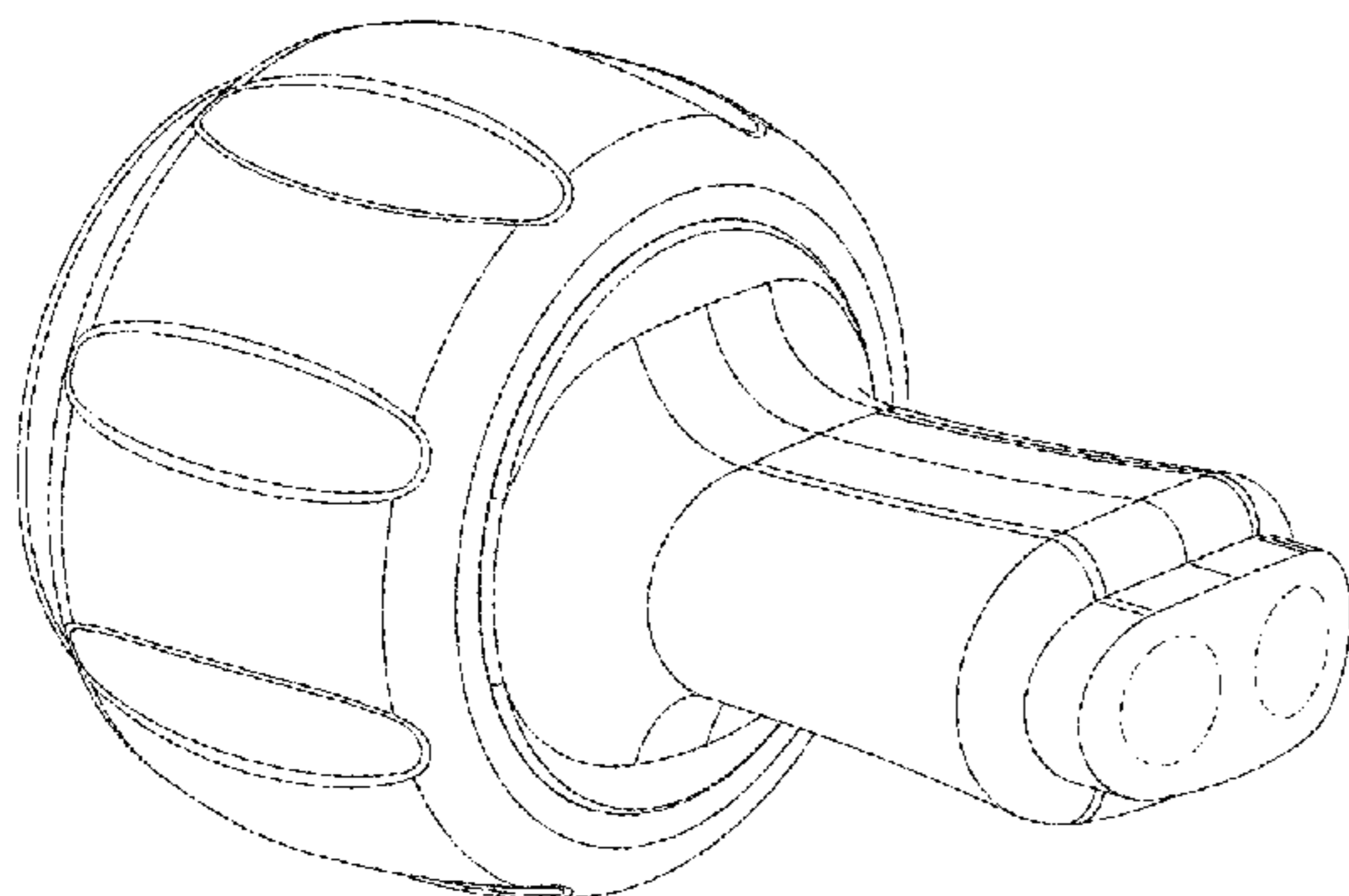
FIG. 4 is a side view thereof, with the opposite side being a mirror image.

FIG. 5 is a back view thereof; and,

FIG. 6 is a front view thereof.

The broken lines in the drawings illustrate portions of the connector and form no part of the claimed design.

1 Claim, 3 Drawing Sheets



(56)

References Cited

U.S. PATENT DOCUMENTS

2007/0175473	A1	8/2007	Lewis et al.	2010/0163051	A1*	7/2010	Brewer et al.	128/207.14
2008/0142019	A1	6/2008	Lewis et al.	2010/0168600	A1	7/2010	Adriance et al.	
2008/0190436	A1	8/2008	Jaffe et al.	2010/0206310	A1*	8/2010	Matsubara et al.	128/205.24
2009/0101147	A1	4/2009	Landis et al.	2013/0037030	A1	2/2013	Matula	
2009/0223523	A1	9/2009	Chang	2013/0104888	A1	5/2013	Landis et al.	
2009/0299158	A1	12/2009	Boatner et al.	2014/0000626	A1	1/2014	O'Connor et al.	
				2014/0014108	A1	1/2014	Dillard	
				2014/0053846	A1	2/2014	Wood	
				2014/0200475	A1*	7/2014	Rubin	600/532

* cited by examiner

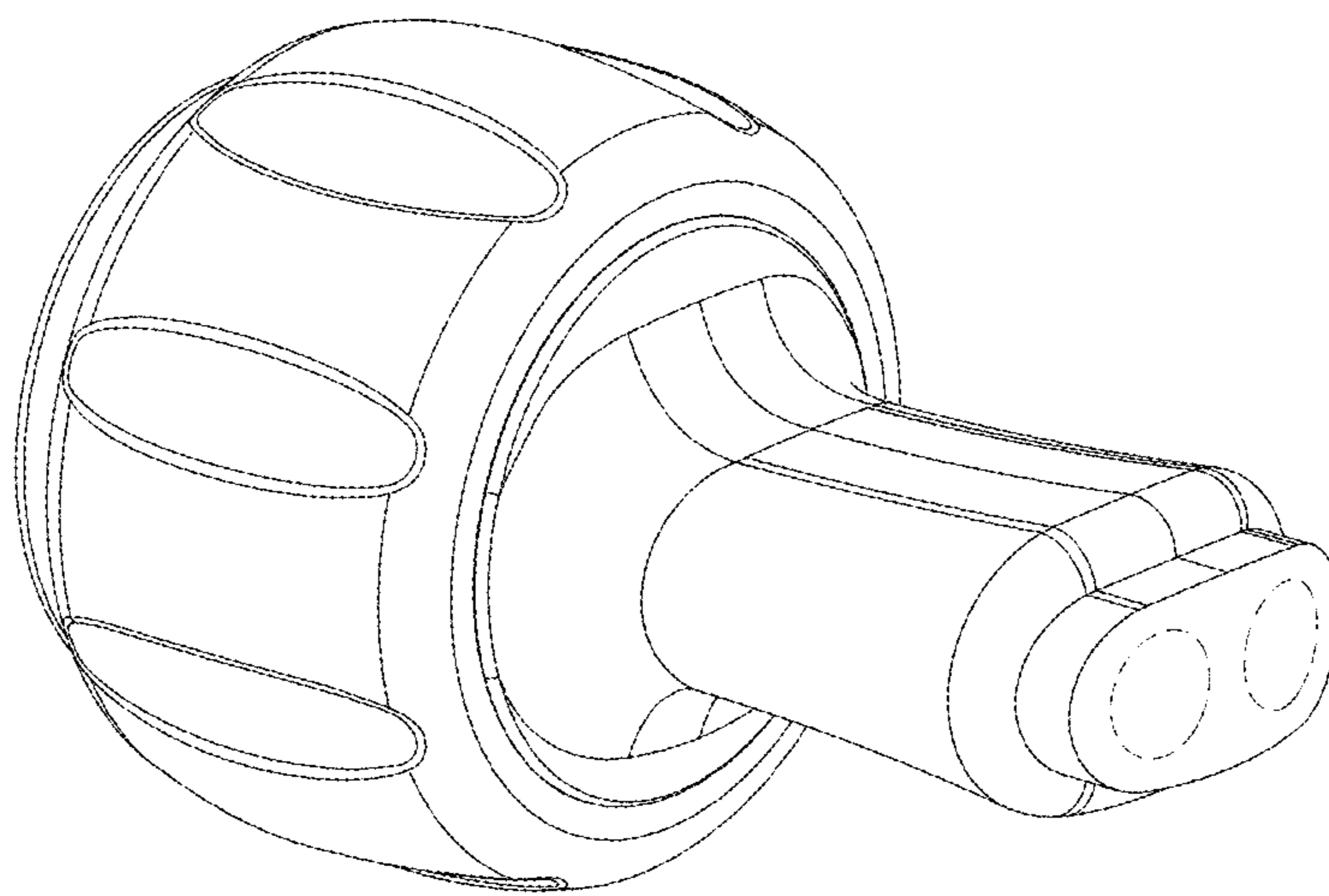


FIG. 1

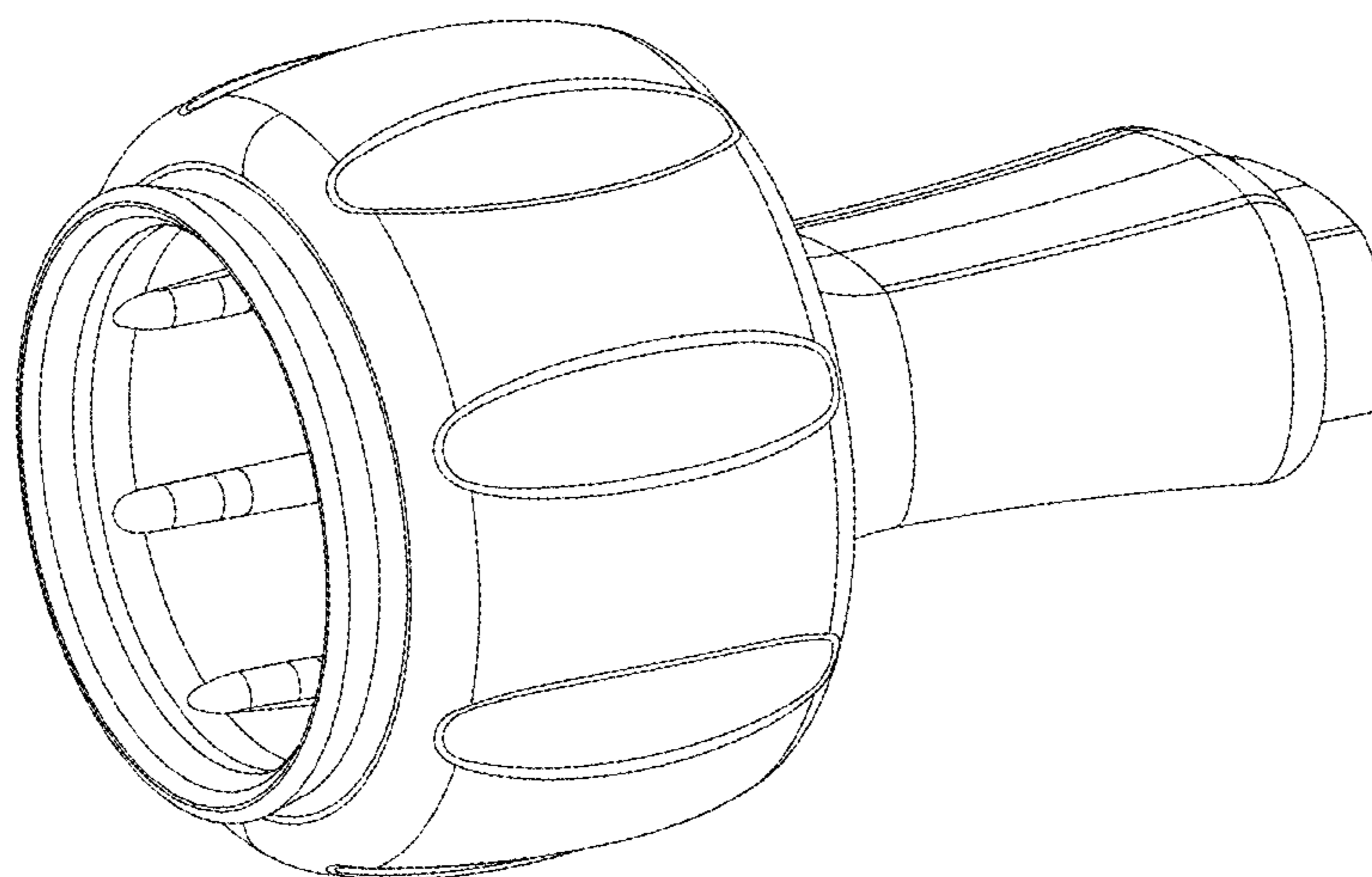


FIG. 2

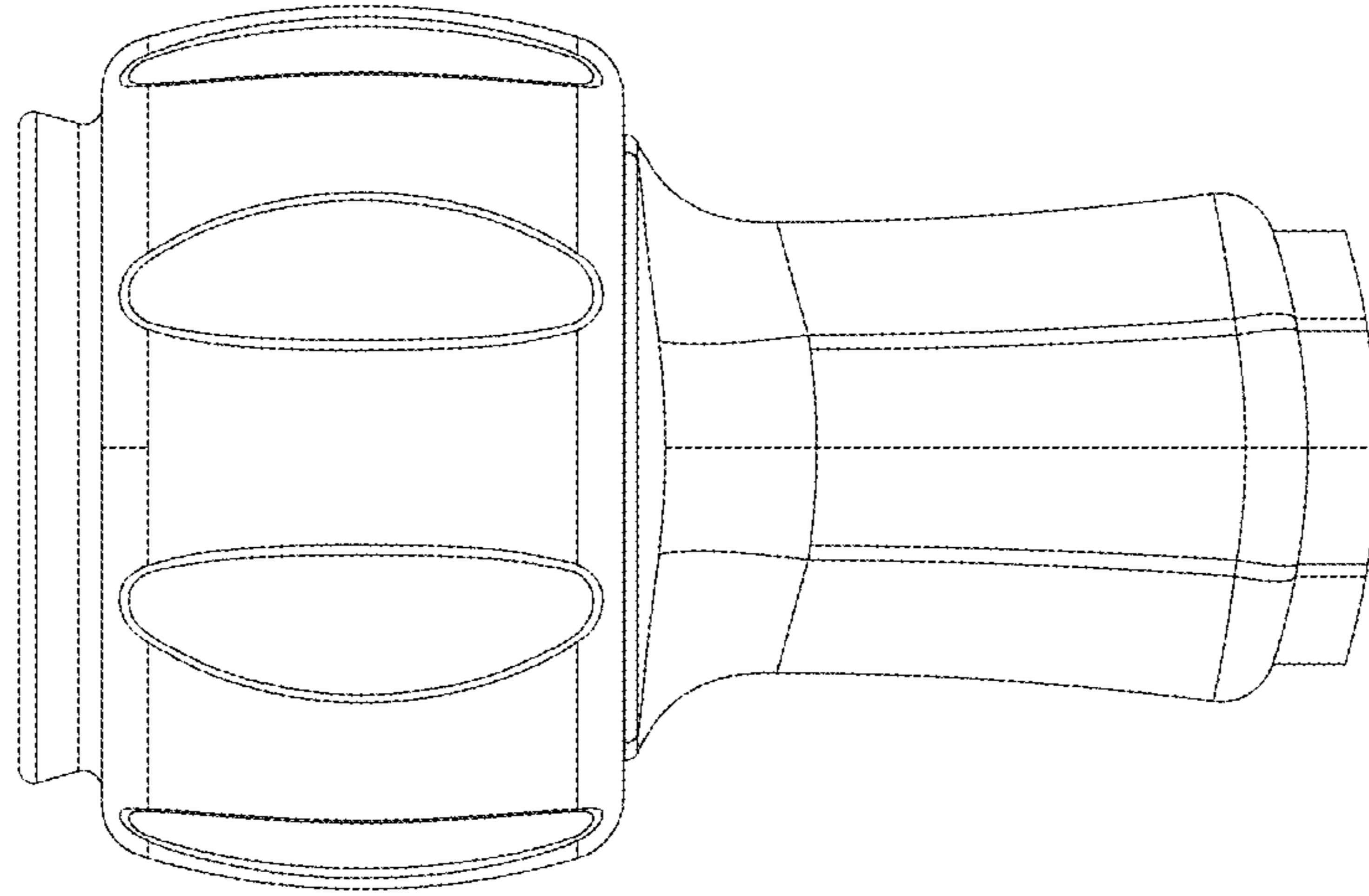


FIG. 3

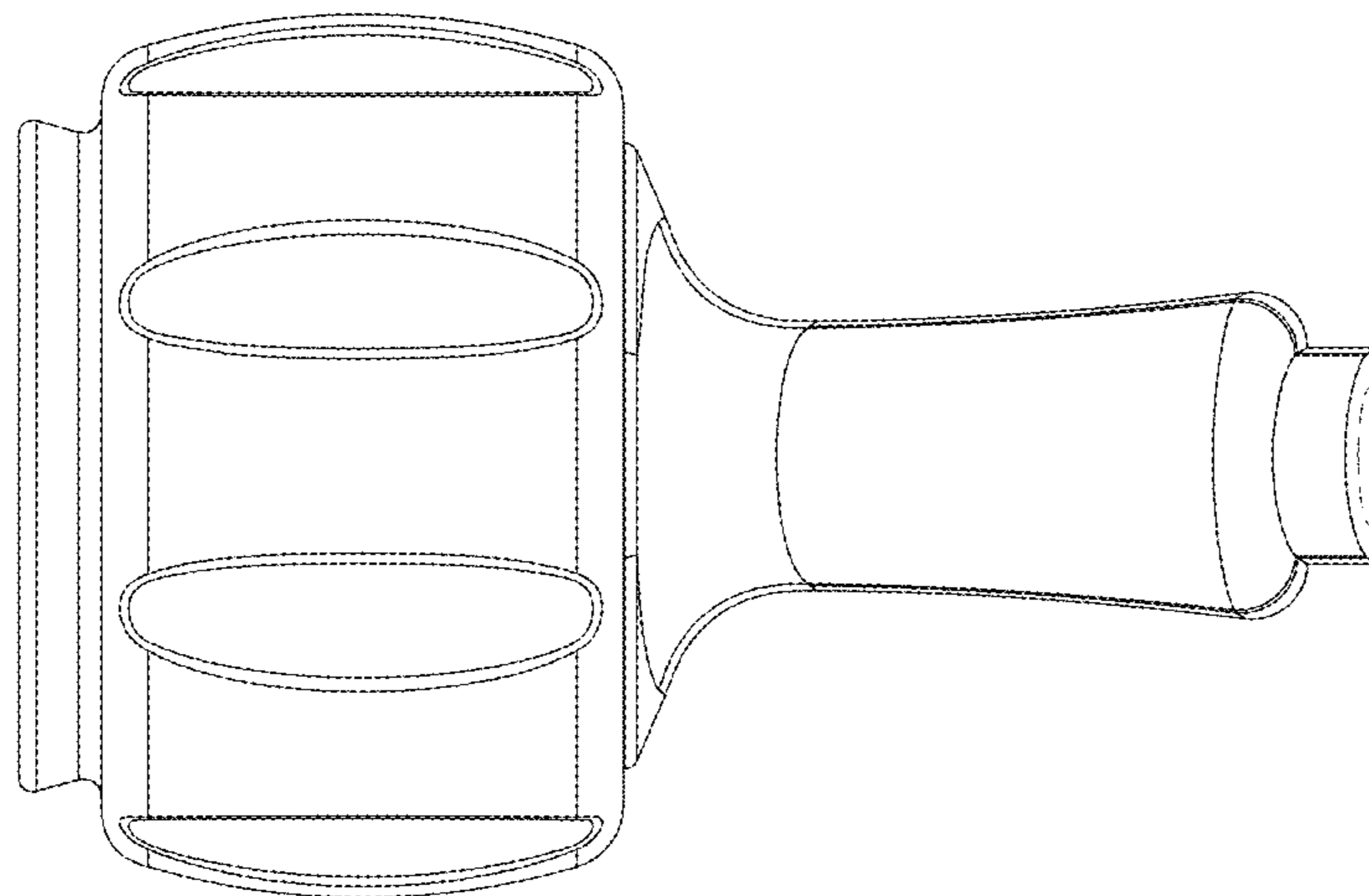


FIG. 4

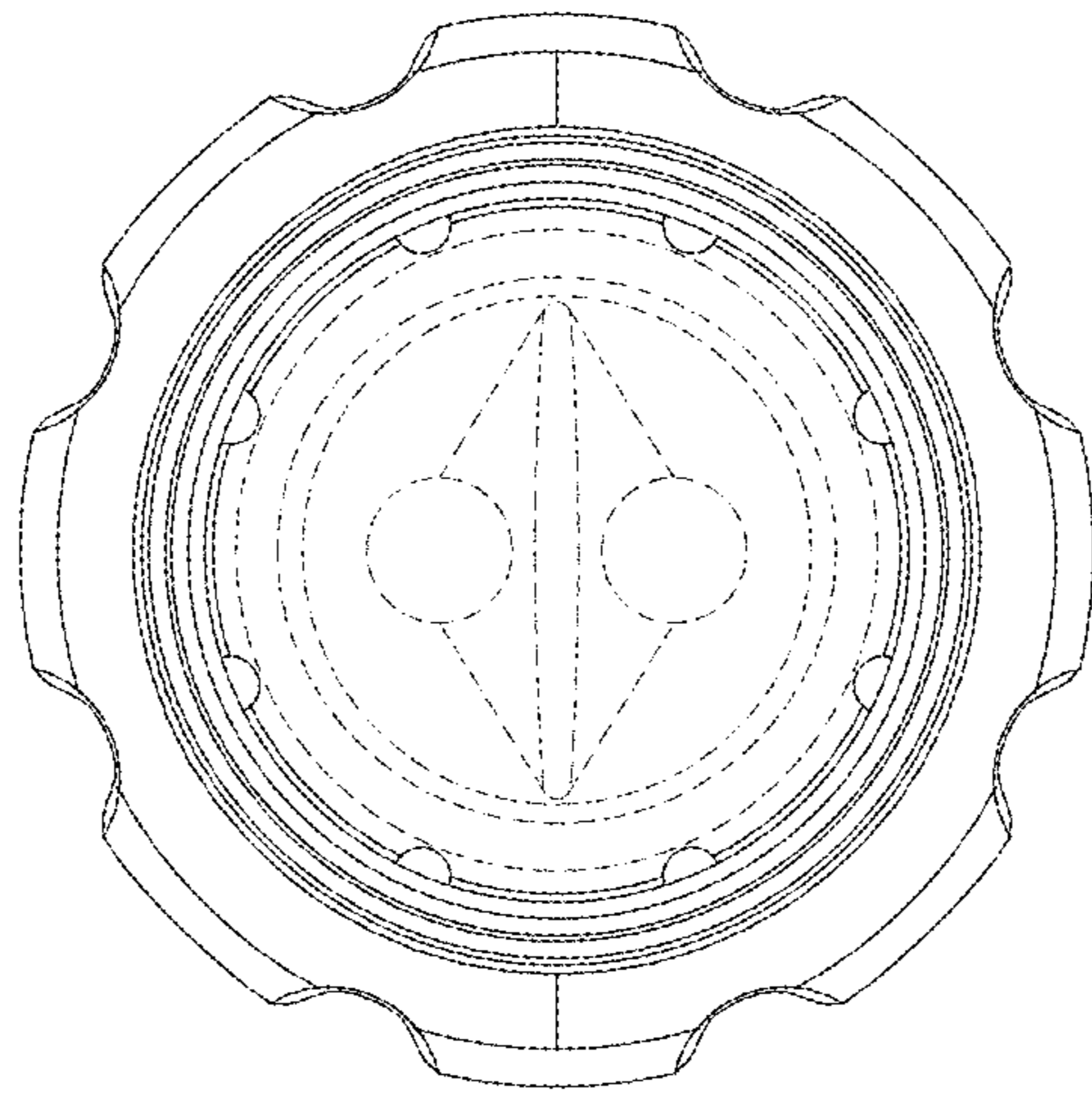


FIG. 5

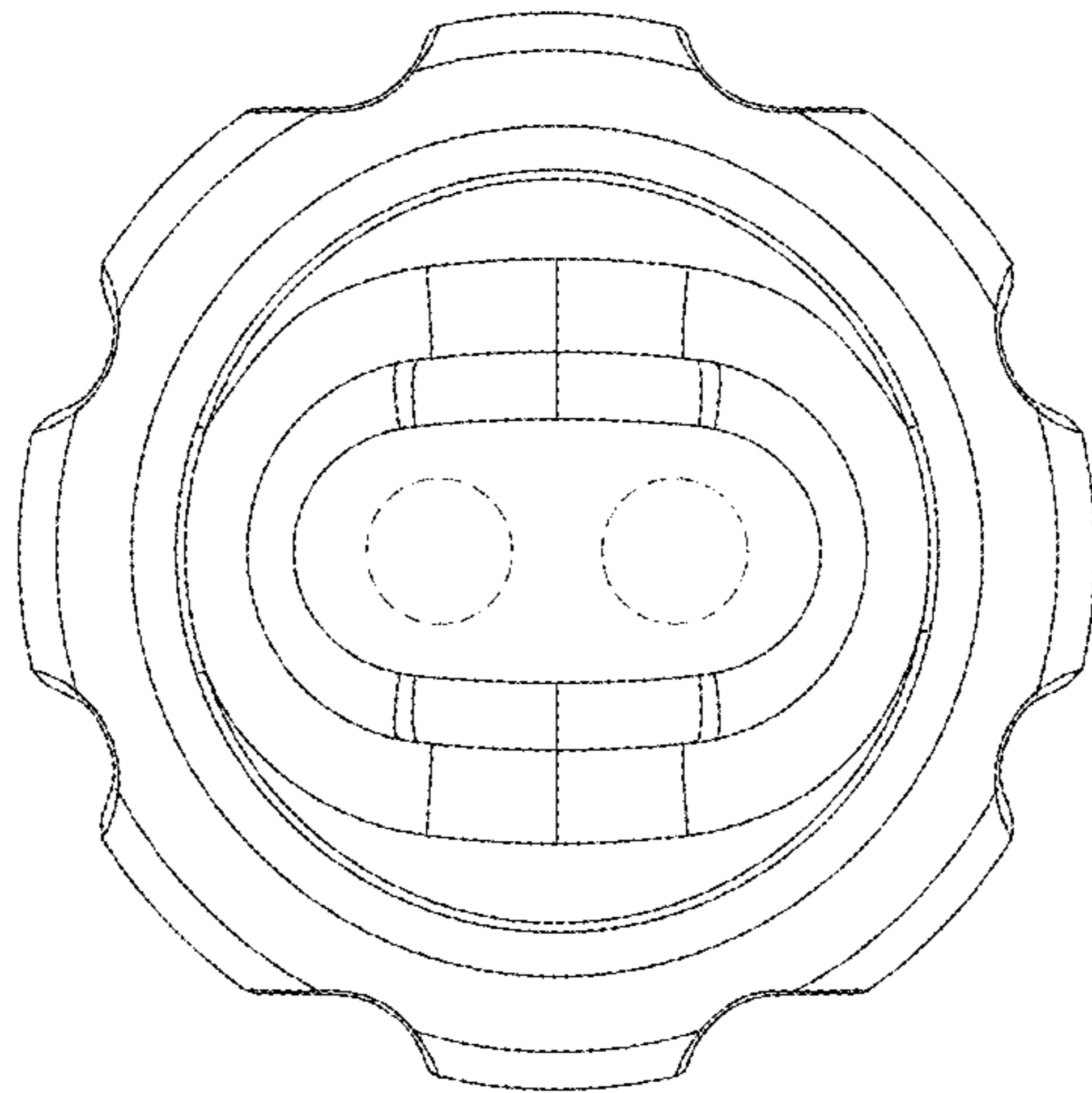


FIG. 6