



US00D747470S

(12) **United States Design Patent**  
**Blomberg**

(10) **Patent No.:** **US D747,470 S**

(45) **Date of Patent:** **\*\* Jan. 12, 2016**

(54) **RESPIRATOR CARTRIDGE CONNECTOR**

(56) **References Cited**

(71) Applicant: **3M INNOVATIVE PROPERTIES COMPANY**, St. Paul, MN (US)

U.S. PATENT DOCUMENTS

(72) Inventor: **David M. Blomberg**, Woodbury, MN (US)

4,753,640	A	*	6/1988	Nichols et al.	.....	604/247
D310,585	S	*	9/1990	Newcomb	.....	D24/110
D340,186	S	*	10/1993	Rand et al.	.....	D9/529
D352,959	S	*	11/1994	Wolff	.....	D19/36
D493,520	S	*	7/2004	Bertinetti et al.	.....	D24/110
D585,540	S	*	1/2009	Lithgow et al.	.....	D24/110
D633,199	S	*	2/2011	MacKay et al.	.....	D24/127
D675,730	S	*	2/2013	Lithgow et al.	.....	D24/110
D683,014	S	*	5/2013	Hu et al.	.....	D24/110

(73) Assignee: **3M Innovative Properties Company**, St. Paul, MN (US)

\* cited by examiner

(\*\*) Term: **14 Years**

*Primary Examiner* — David Muller

(21) Appl. No.: **29/444,698**

(74) *Attorney, Agent, or Firm* — Peter L. Olson

(22) Filed: **Feb. 1, 2013**

(57) **CLAIM**

The ornamental design for a respirator cartridge connector, as shown and described.

(51) **LOC (10) Cl.** ..... **24-02**

**DESCRIPTION**

(52) **U.S. Cl.**

USPC ..... **D24/127**

(58) **Field of Classification Search**

USPC ..... D24/127, 129, 110; D25/138; D21/505;  
D6/583, 592; D14/248, 388, 415, 455,  
D14/456; D20/22, 27; D19/40, 37, 39;  
D10/64

FIG. 1 is a front perspective view showing the new design for a respirator cartridge connector.

FIG. 2 is a front view thereof;

FIG. 3 is a rear view thereof;

FIG. 4 is a top view thereof, the bottom view being a mirror image thereof;

FIG. 5 is a right view thereof; and,

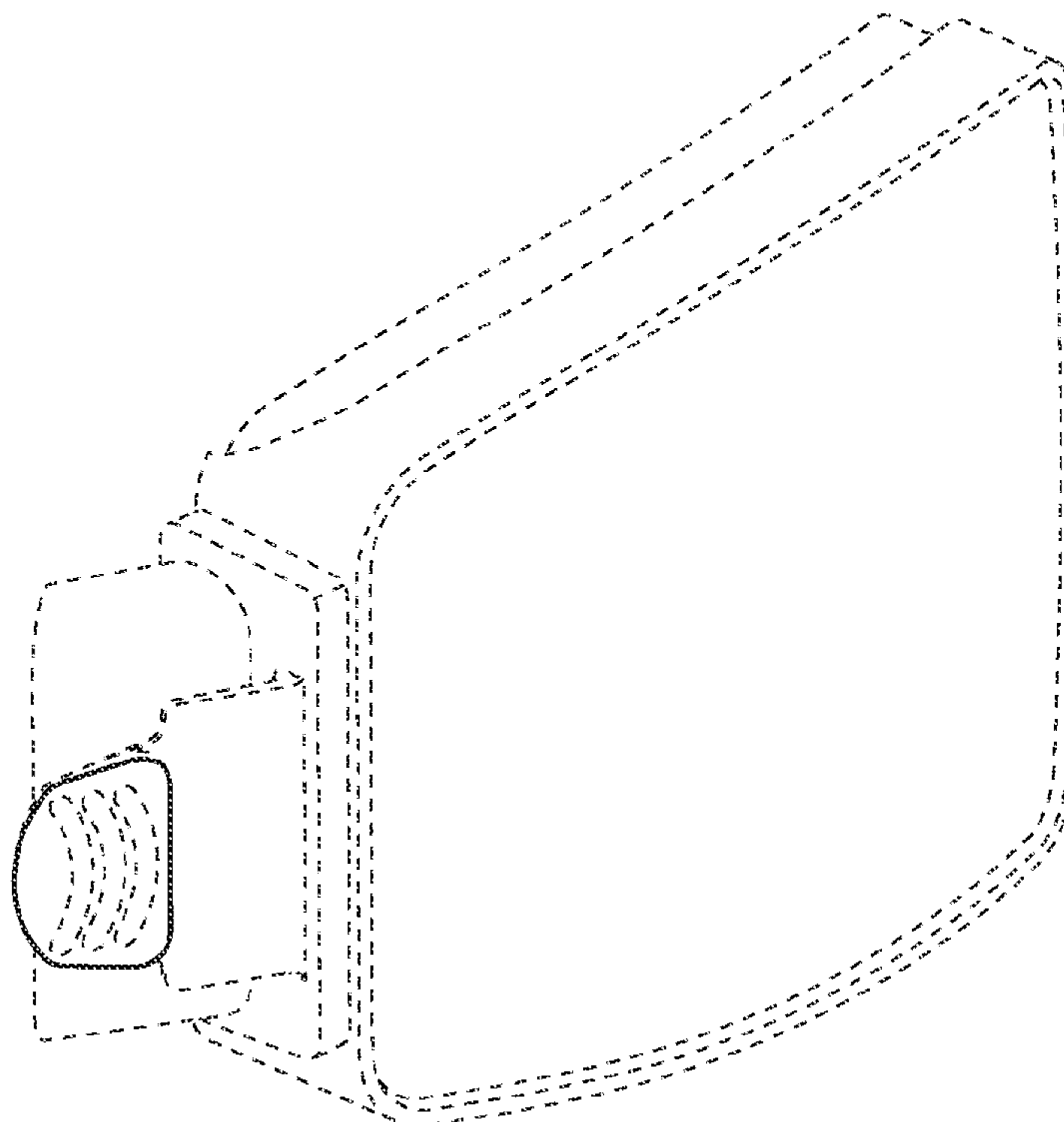
FIG. 6 is a left view thereof.

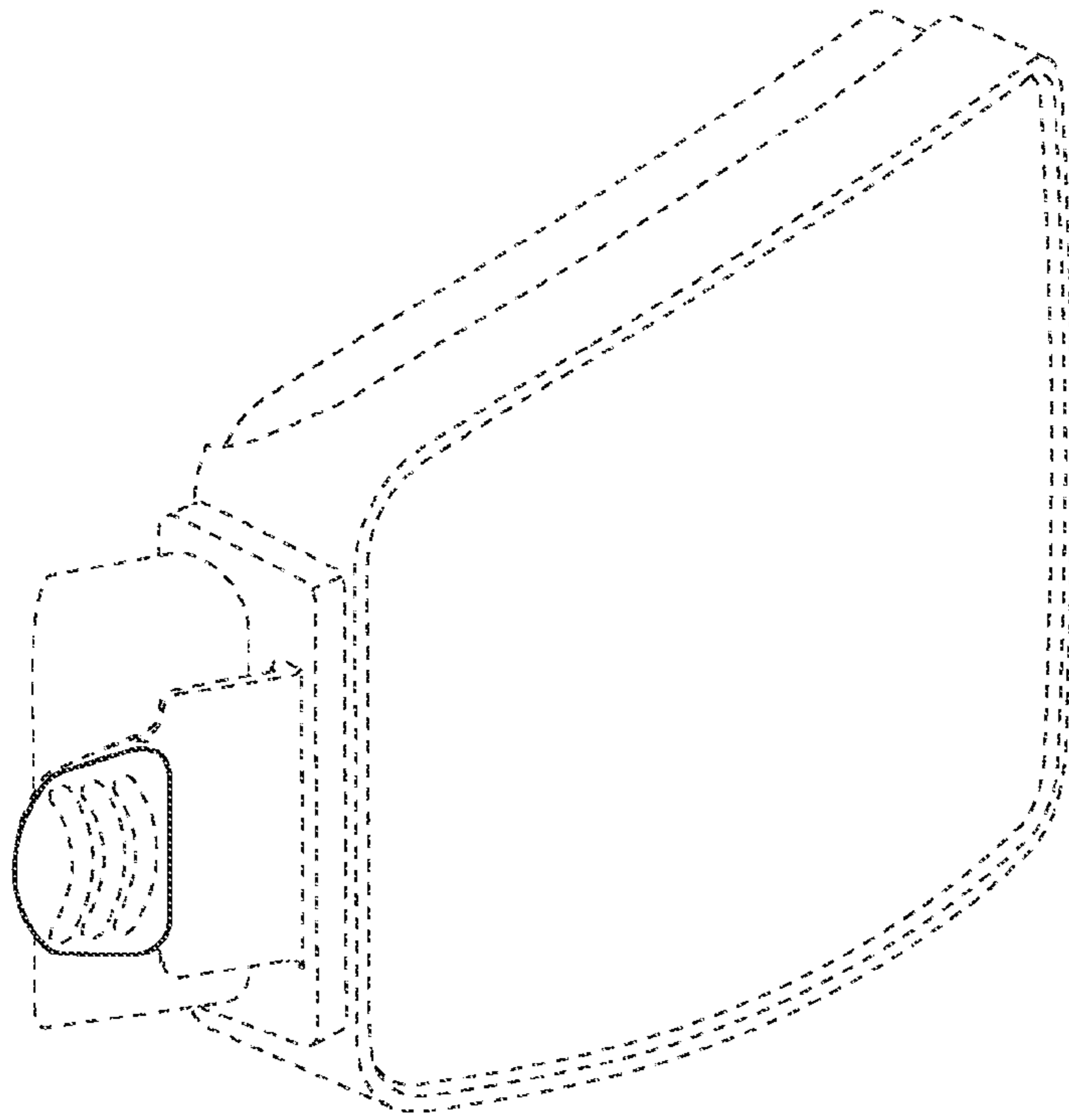
The broken lines are included for the purpose of illustrating structure that is not part of the claimed design.

CPC ..... A62B 19/00; A62B 23/02; A61M 16/06;  
A61M 16/0605; A61M 16/0488

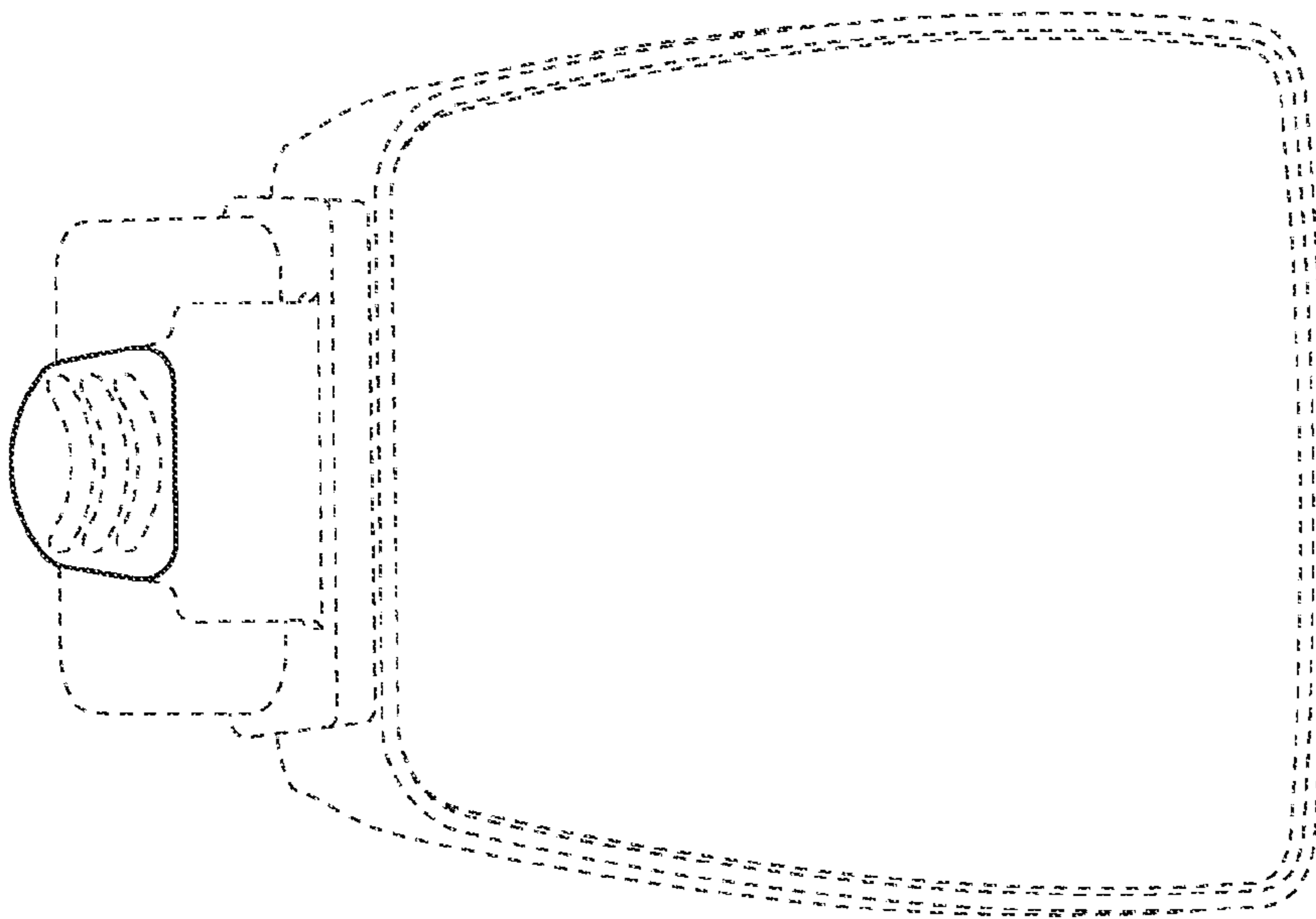
See application file for complete search history.

**1 Claim, 3 Drawing Sheets**

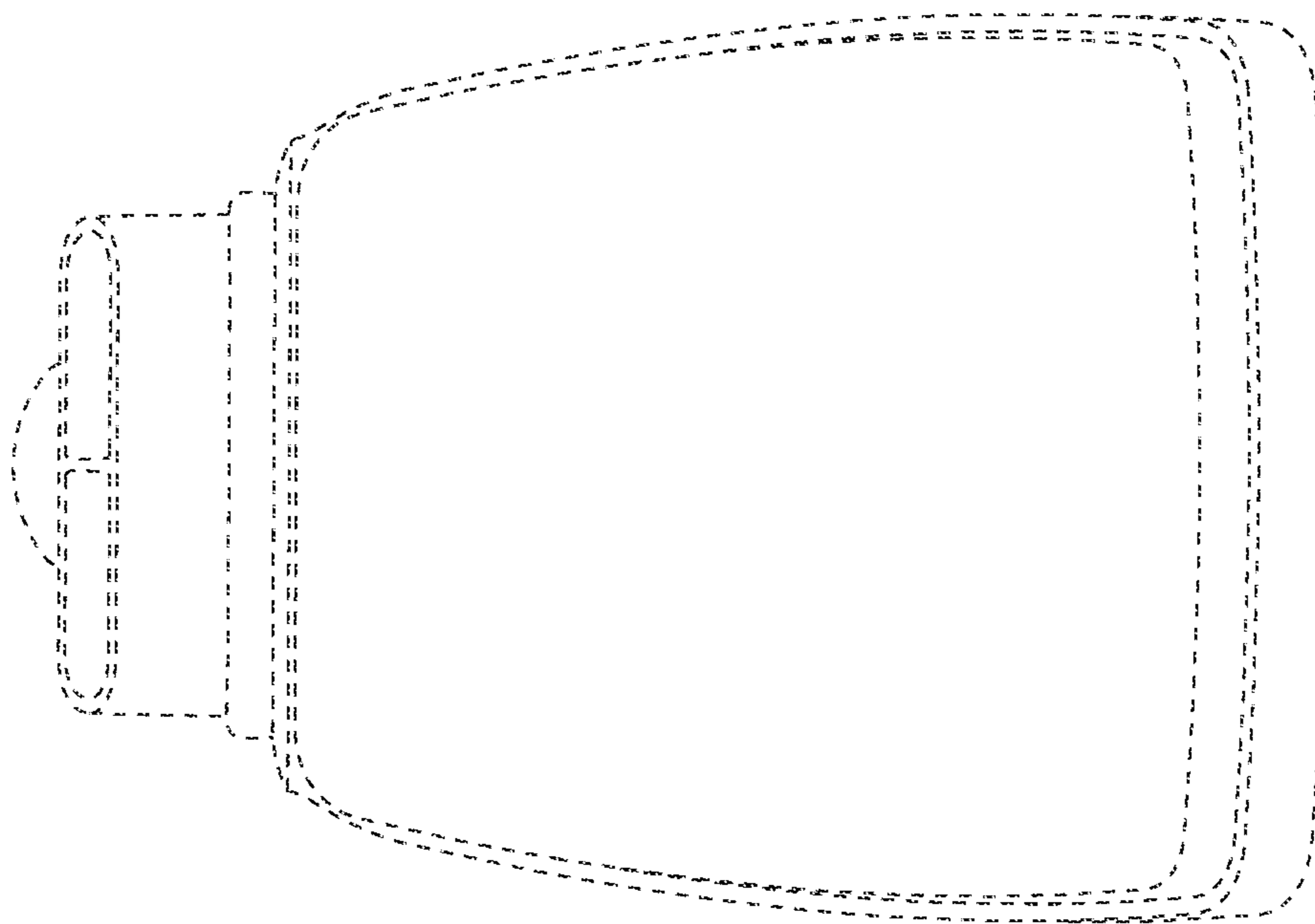




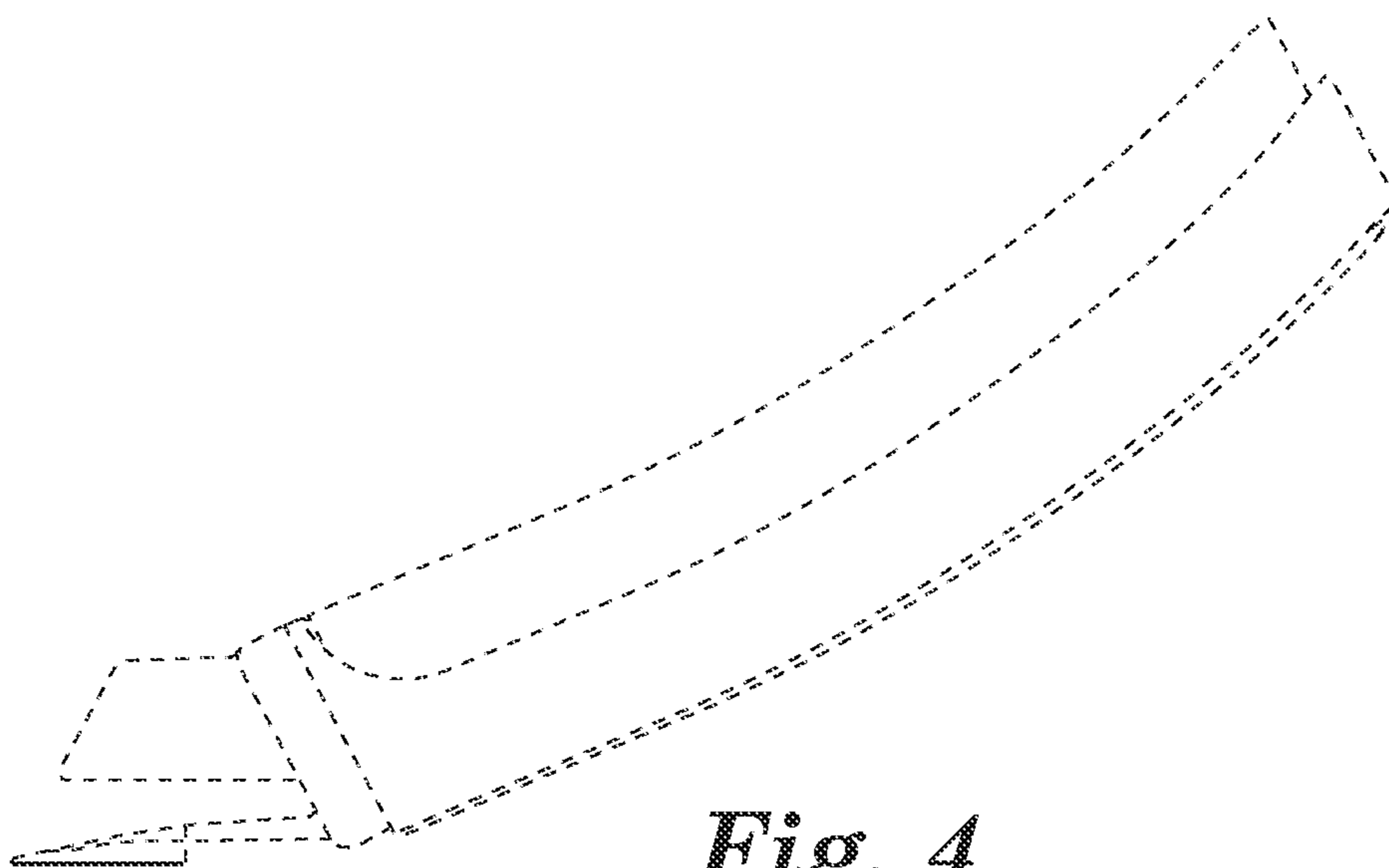
*Fig. 1*



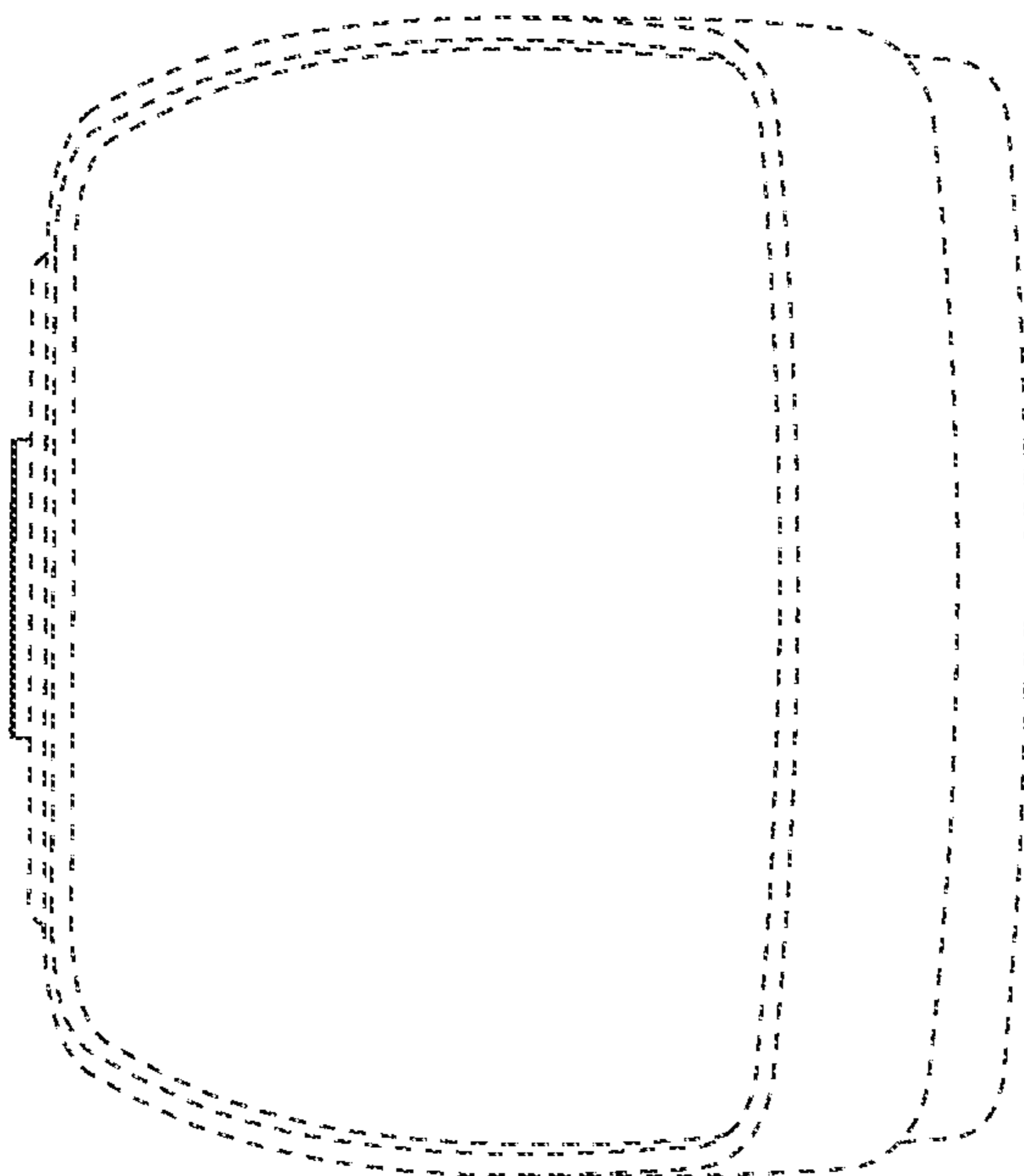
*Fig. 2*



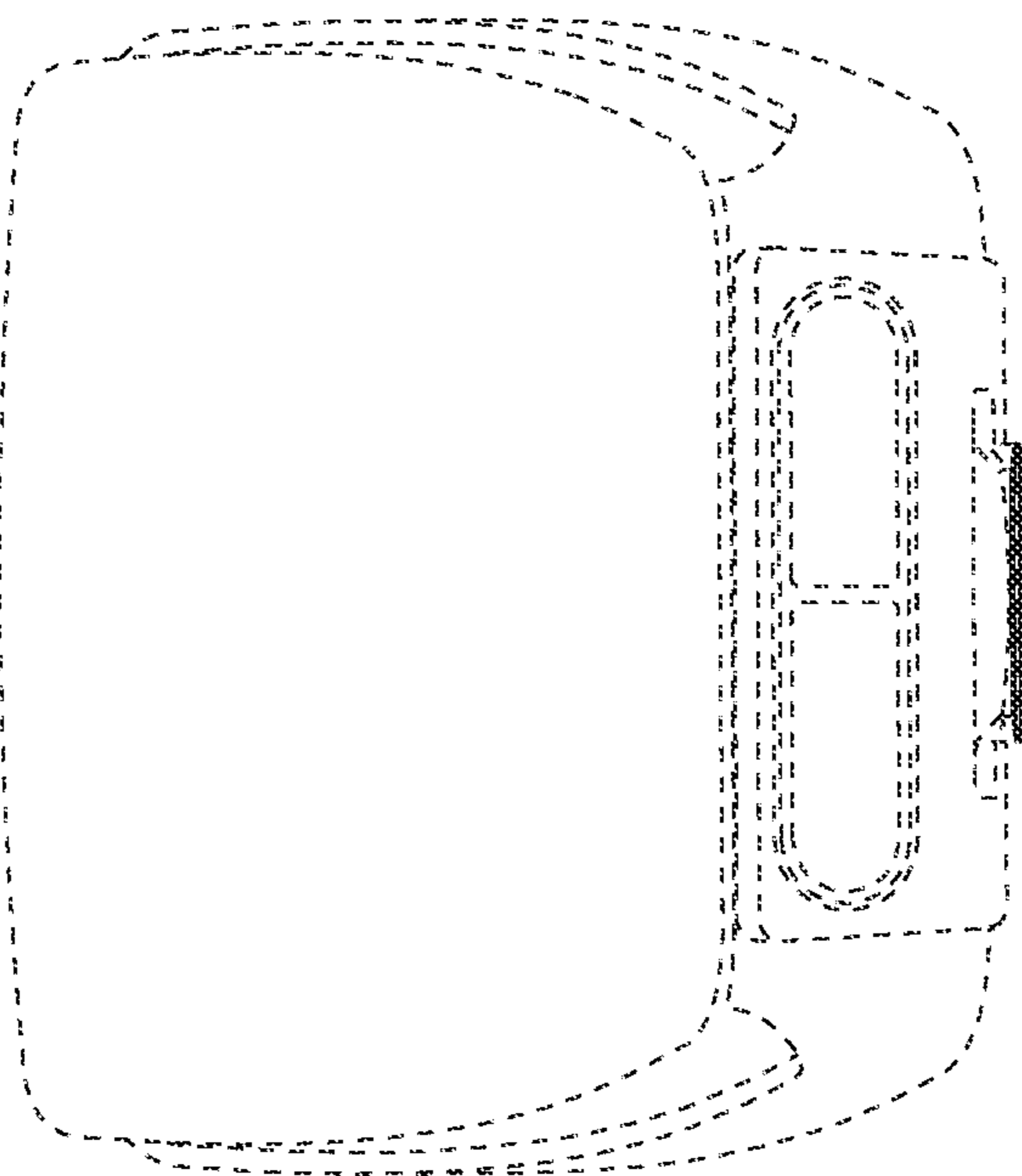
*Fig. 3*



*Fig. 4*



*Fig. 5*



*Fig. 6*