



US00D747468S

(12) **United States Design Patent**
Green

(10) **Patent No.:** **US D747,468 S**
(45) **Date of Patent:** **** Jan. 12, 2016**

- (54) **CELL ENCAPSULATION DEVICE**
- (71) Applicant: **VIACYTE, INC.**, San Diego, CA (US)
- (72) Inventor: **Chad Green**, San Diego, CA (US)
- (73) Assignee: **VIACYTE, INC.**, San Diego, CA (US)
- (**) Term: **14 Years**
- (21) Appl. No.: **29/518,513**
- (22) Filed: **Feb. 24, 2015**

| | | | | |
|-----------|------|---------|-------------------|-------------------------|
| 5,593,440 | A | 1/1997 | Brauker et al. | |
| 5,713,888 | A | 2/1998 | Neuenfeldt et al. | |
| 5,733,336 | A | 3/1998 | Neuenfeldt et al. | |
| 5,759,180 | A | 6/1998 | Myhres | |
| 5,902,745 | A | 5/1999 | Butler et al. | |
| 5,964,261 | A | 10/1999 | Neuenfeldt et al. | |
| 6,060,640 | A | 5/2000 | Pauley et al. | |
| D448,661 | S * | 10/2001 | Kerr | D9/696 |
| 7,147,105 | B2 * | 12/2006 | Gammons | A45C 13/002 206/320 |
| D548,609 | S | 8/2007 | Considine et al. | |
| D581,808 | S * | 12/2008 | Schwartz | D9/708 |
| D612,719 | S * | 3/2010 | Frank | D9/432 |
| D616,760 | S * | 6/2010 | Deurerer | D9/611 |
| 7,815,617 | B2 * | 10/2010 | Dircks | B32B 7/12 604/332 |
| D633,141 | S * | 2/2011 | Deng | D18/56 |
| D661,201 | S * | 6/2012 | Schroeder | D9/710 |
| 8,278,106 | B2 * | 10/2012 | Martinson | A61K 35/39 435/289.1 |
| D726,306 | S * | 4/2015 | Green | D24/118 |
| D726,307 | S * | 4/2015 | Green | D24/118 |
| D728,095 | S * | 4/2015 | Green | D24/118 |
| D734,847 | S * | 7/2015 | Green | D24/118 |

- Related U.S. Application Data**
- (62) Division of application No. 29/408,368, filed on Dec. 12, 2011, now Pat. No. Des. 728,095.
 - (51) **LOC (10) Cl.** **24-02**
 - (52) **U.S. Cl.**
USPC **D24/118**
 - (58) **Field of Classification Search**
USPC D24/118, 127, 108, 128, 111, 189;
604/317, 327, 408, 403, 108, 339, 92,
604/415, 410, 332, 333, 322, 323;
128/DIG. 24; 383/22, 23, 35; D9/707,
D9/709, 696; 206/219; D18/56; 623/23.72,
623/1.41, 13.17; 435/325
CPC A61M 5/00; A61M 31/00; A61M 35/00;
C12N 5/0677
See application file for complete search history.

* cited by examiner

Primary Examiner — David Muller
(74) *Attorney, Agent, or Firm* — Mark D. Wieczorek; Mayer & Williams PC

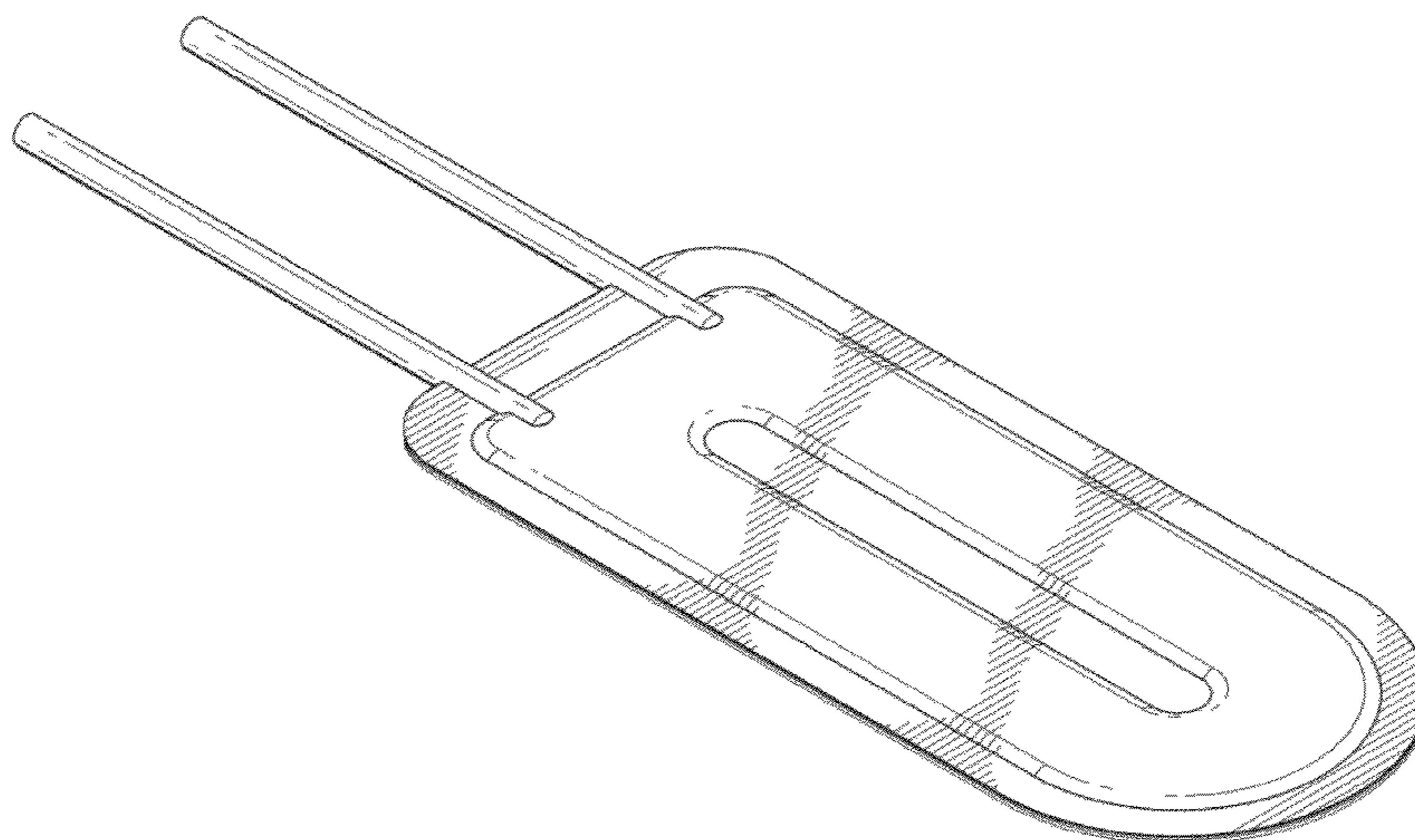
(57) **CLAIM**
The ornamental design for the cell encapsulation device, as shown.

- (56) **References Cited**
U.S. PATENT DOCUMENTS
- | | | | |
|-----------|---|---------|-------------------|
| 2,836,329 | A | 5/1958 | Chenette |
| 4,852,742 | A | 8/1989 | Scuorzo |
| 5,314,471 | A | 5/1994 | Brauker et al. |
| D350,690 | S | 9/1994 | Herro |
| D362,913 | S | 10/1995 | Eisenberg et al. |
| D367,705 | S | 3/1996 | Williams |
| D369,607 | S | 5/1996 | MacGilvary et al. |
| 5,545,223 | A | 8/1996 | Neuenfeldt et al. |

DESCRIPTION

FIG. 1 is a perspective view of the cell encapsulation device. FIG. 2 is a top plan view thereof; FIG. 3 is a bottom plan view thereof; FIG. 4 is a left side elevational view thereof; FIG. 5 is a right side elevational view thereof; FIG. 6 is a rear elevational view thereof; and, FIG. 7 is a front elevational view thereof.

1 Claim, 3 Drawing Sheets



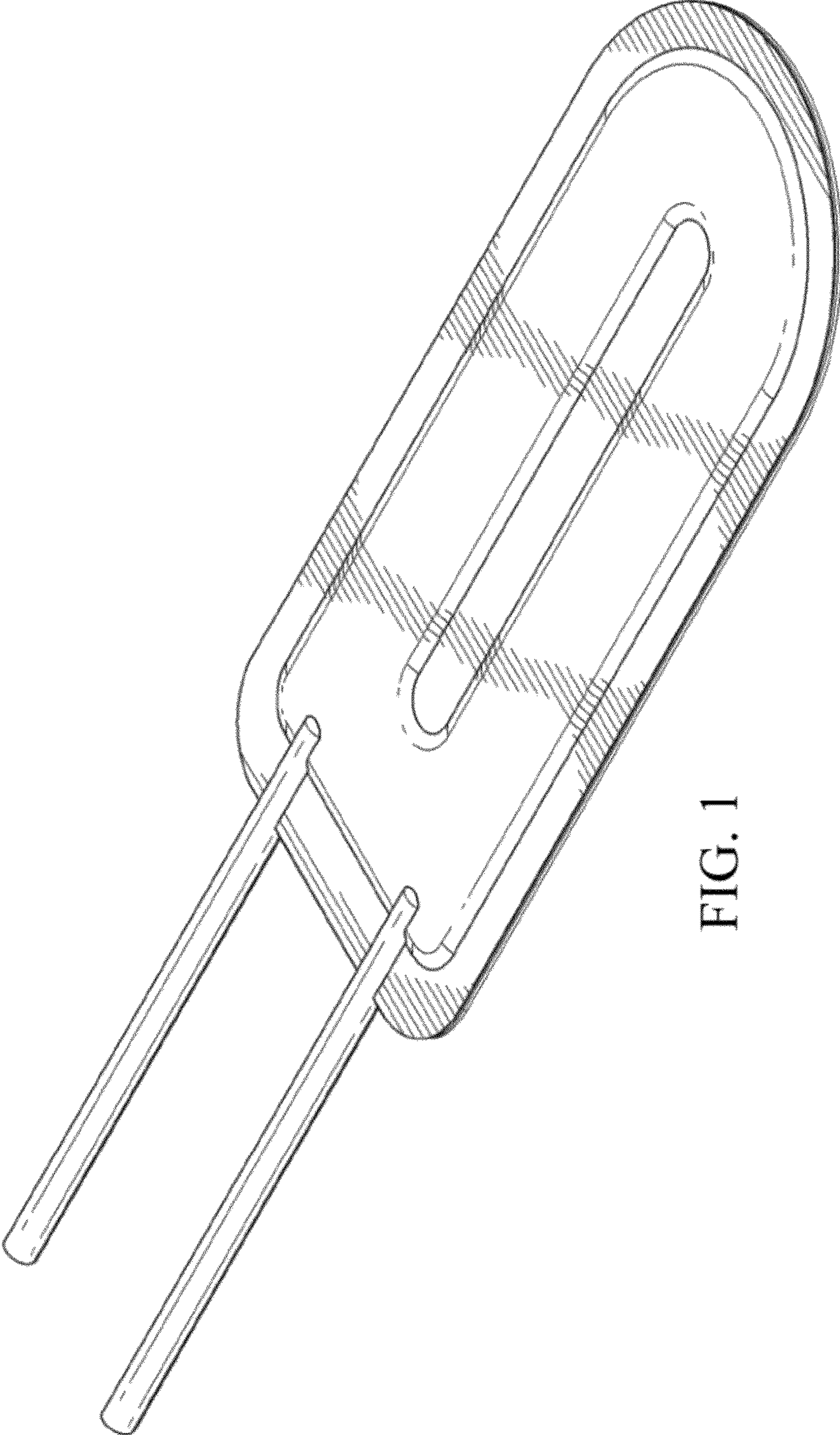


FIG. 1

FIG. 2

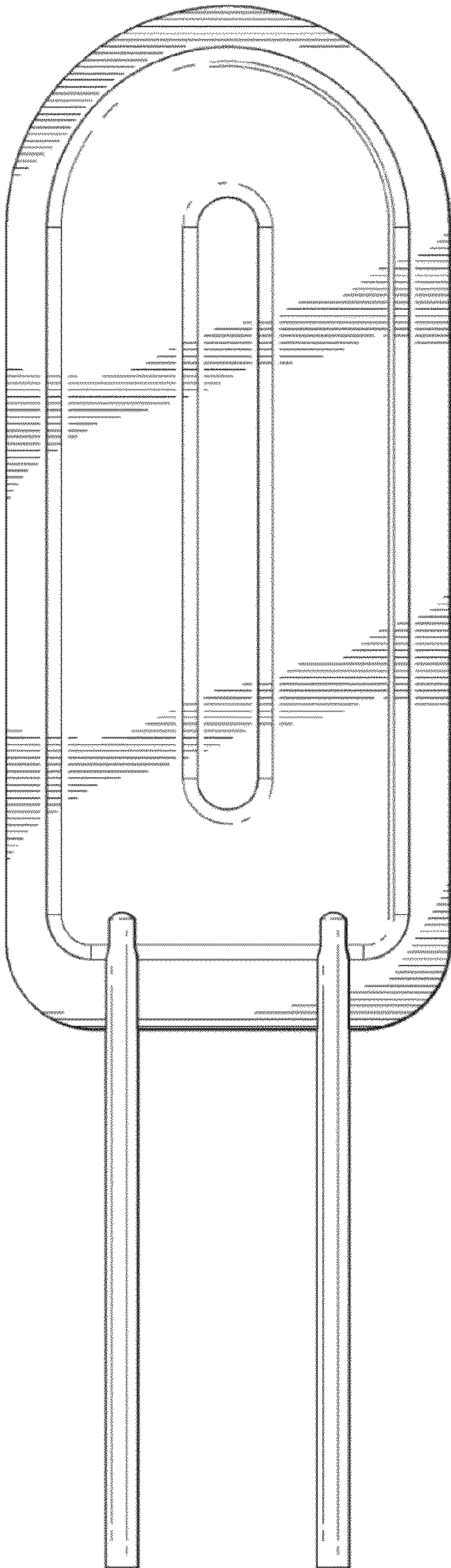


FIG. 3

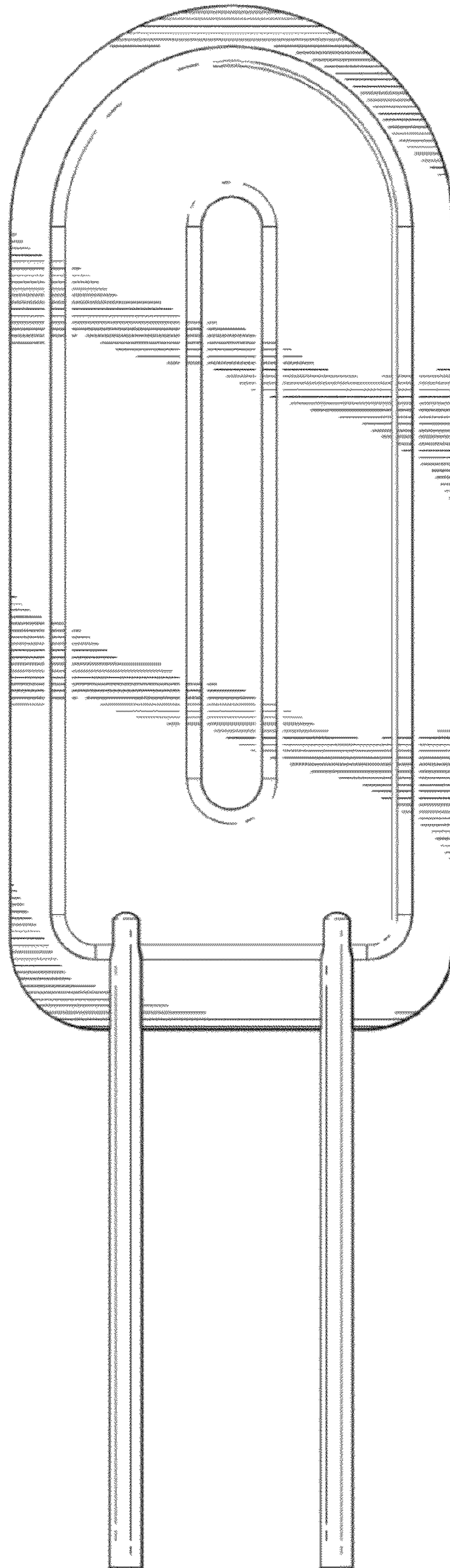


FIG. 4



FIG. 5

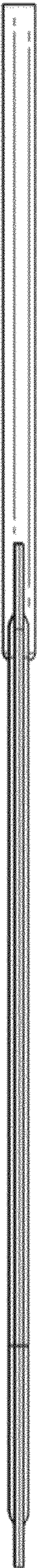


FIG. 6



FIG. 7

