



US00D747467S

(12) **United States Design Patent**
Green

(10) **Patent No.:** **US D747,467 S**
(45) **Date of Patent:** **** Jan. 12, 2016**

- (54) **CELL ENCAPSULATION DEVICE**
- (71) Applicant: **VIACYTE, INC.**, San Diego, CA (US)
- (72) Inventor: **Chad Green**, San Diego, CA (US)
- (73) Assignee: **VIACYTE, INC.**, San Diego, CA (US)
- (**) Term: **14 Years**
- (21) Appl. No.: **29/517,319**
- (22) Filed: **Feb. 11, 2015**

5,713,888	A	2/1998	Neuenfeldt et al.
5,733,336	A	3/1998	Neuenfeldt et al.
5,759,180	A	6/1998	Myhres
5,902,745	A	5/1999	Butler et al.
5,964,261	A	10/1999	Neuenfeldt et al.
6,060,640	A	5/2000	Pauley et al.
D448,661	S *	10/2001	Kerr D9/696
7,147,105	B2 *	12/2006	Gammons A45C 13/002 206/320
D548,609	S	8/2007	Considine et al.
D581,808	S *	12/2008	Schwartz D9/708
D612,719	S *	3/2010	Frank D9/432
D616,760	S *	6/2010	Deuerer D9/611
7,815,617	B2 *	10/2010	Dircks B32B 7/12 604/332
D633,141	S *	2/2011	Deng D18/56

Related U.S. Application Data

- (62) Division of application No. 29/408,366, filed on Dec. 12, 2011, now Pat. No. Des. 726,306.
- (51) **LOC (10) Cl.** **24-02**
- (52) **U.S. Cl.**
USPC **D24/118**
- (58) **Field of Classification Search**
USPC D24/118, 127, 108, 128, 111, 189;
604/317, 327, 408, 403, 108, 339, 92,
604/415, 410, 332, 333, 322, 323;
128/DIG. 24; 383/22, 23, 35; D9/707,
D9/709, 696; 206/219; D18/56; 623/23.72,
623/1.41, 13.17; 435/325
CPC A61M 5/00; A61M 31/00; A61M 35/00;
C12N 5/0677
See application file for complete search history.

Primary Examiner — David Muller

(74) *Attorney, Agent, or Firm* — Mark D. Wieczorek; Mayer & Williams PC

(57) **CLAIM**

The ornamental design for the cell encapsulation device, as shown.

DESCRIPTION

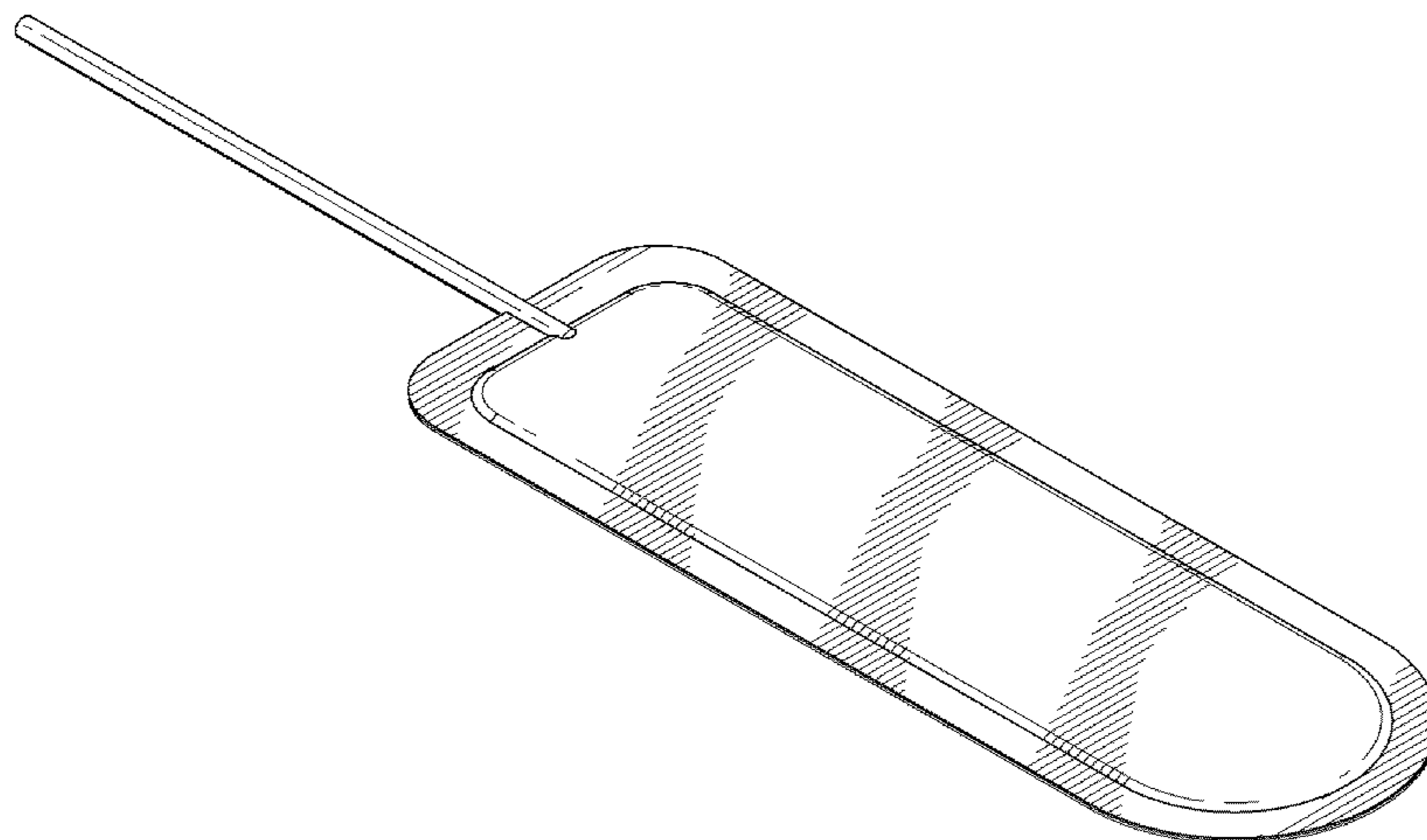
FIG. 1 is a perspective view of a first embodiment of the cell encapsulation device.
 FIG. 2 is a top plan view thereof;
 FIG. 3 is a bottom plan view thereof;
 FIG. 4 is a left side elevational view thereof;
 FIG. 5 is a right side elevational view thereof;
 FIG. 6 is a rear elevational view thereof;
 FIG. 7 is a front elevational view thereof;
 FIG. 8 is a perspective view of a second embodiment of the cell encapsulation device.
 FIG. 9 is a top plan view thereof;
 FIG. 10 is a bottom plan view thereof;
 FIG. 11 is a left side elevational view thereof;
 FIG. 12 is a right side elevational thereof;
 FIG. 13 is a rear elevational view thereof; and,
 FIG. 14 is a front elevational view thereof.

1 Claim, 6 Drawing Sheets

(56) **References Cited**

U.S. PATENT DOCUMENTS

2,836,329	A	5/1958	Chenette
4,852,742	A	8/1989	Scuorzo
5,314,471	A	5/1994	Brauker et al.
D350,690	S	9/1994	Herro
D362,913	S	10/1995	Eisenberg et al.
D367,705	S	3/1996	Williams
D369,607	S	5/1996	MacGilvary et al.
5,545,223	A	8/1996	Neuenfeldt et al.
5,593,440	A	1/1997	Brauker et al.



US D747,467 S

Page 2

(56)

References Cited

U.S. PATENT DOCUMENTS

D661,201 S * 6/2012 Schroeder D9/710
8,278,106 B2 * 10/2012 Martinson A61K 35/39
435/289.1

D726,306 S * 4/2015 Green D24/118
D726,307 S * 4/2015 Green D24/118
D728,095 S * 4/2015 Green D24/118
D734,847 S * 7/2015 Green D24/118

* cited by examiner

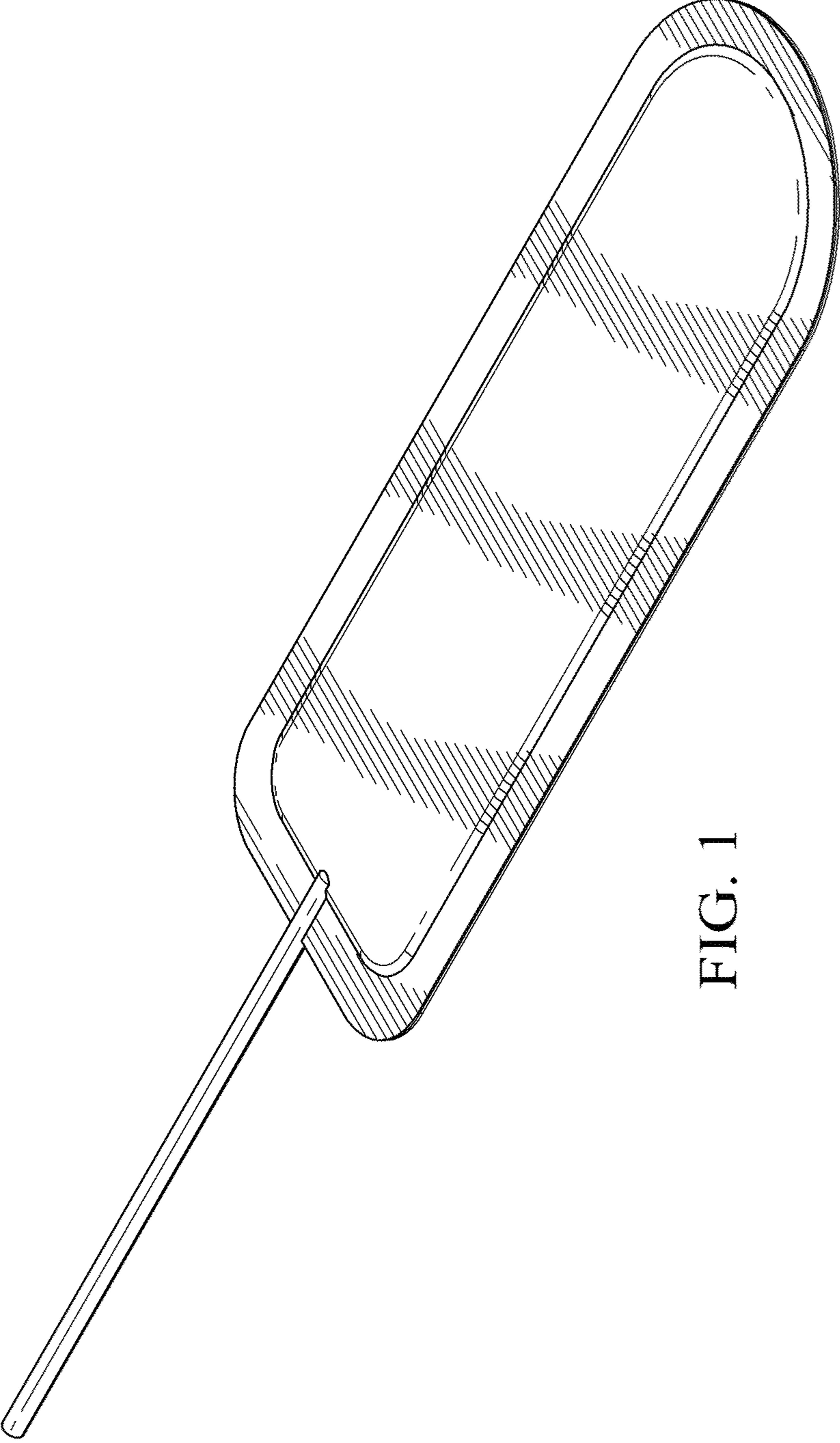


FIG. 1

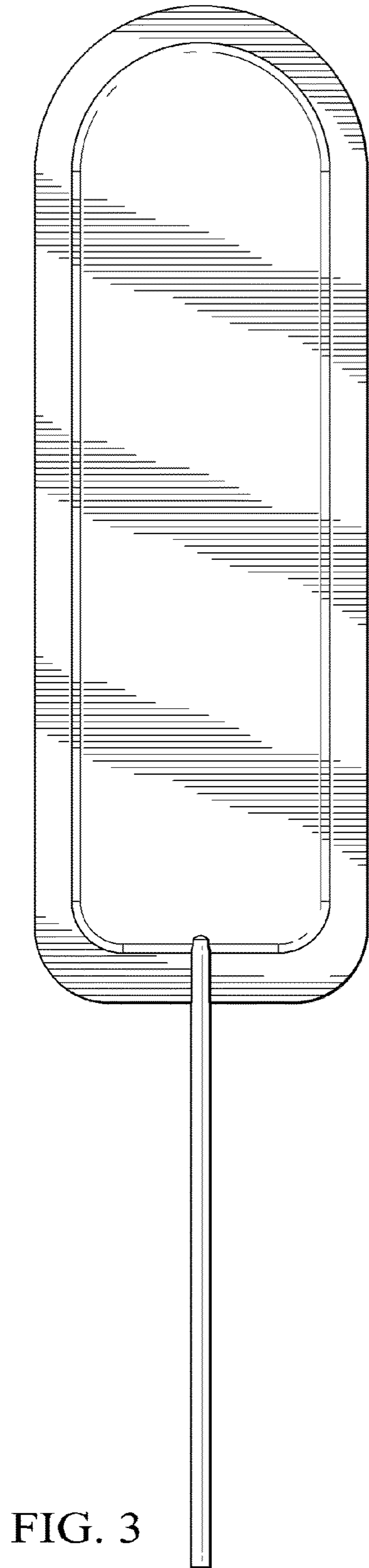
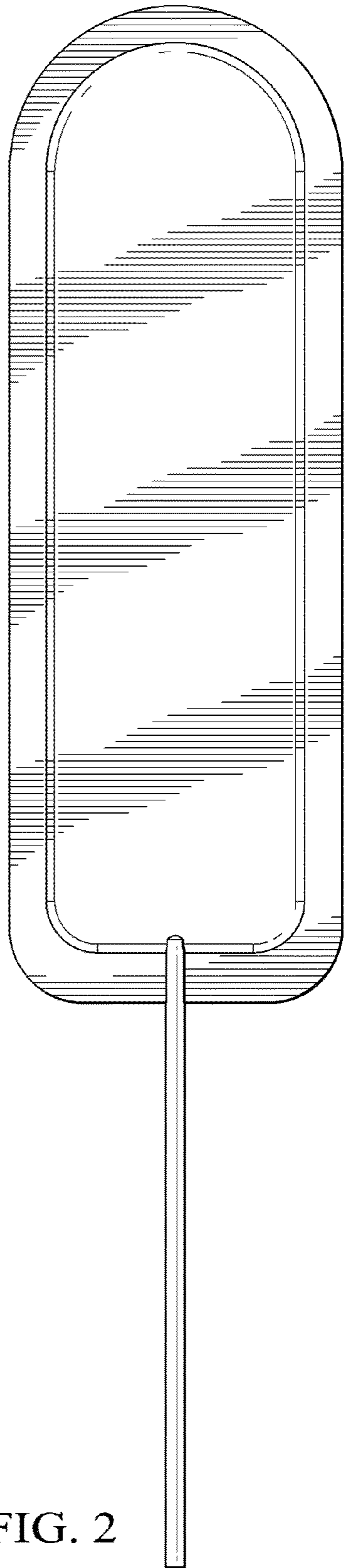




FIG. 4



FIG. 5

FIG. 6



FIG. 7



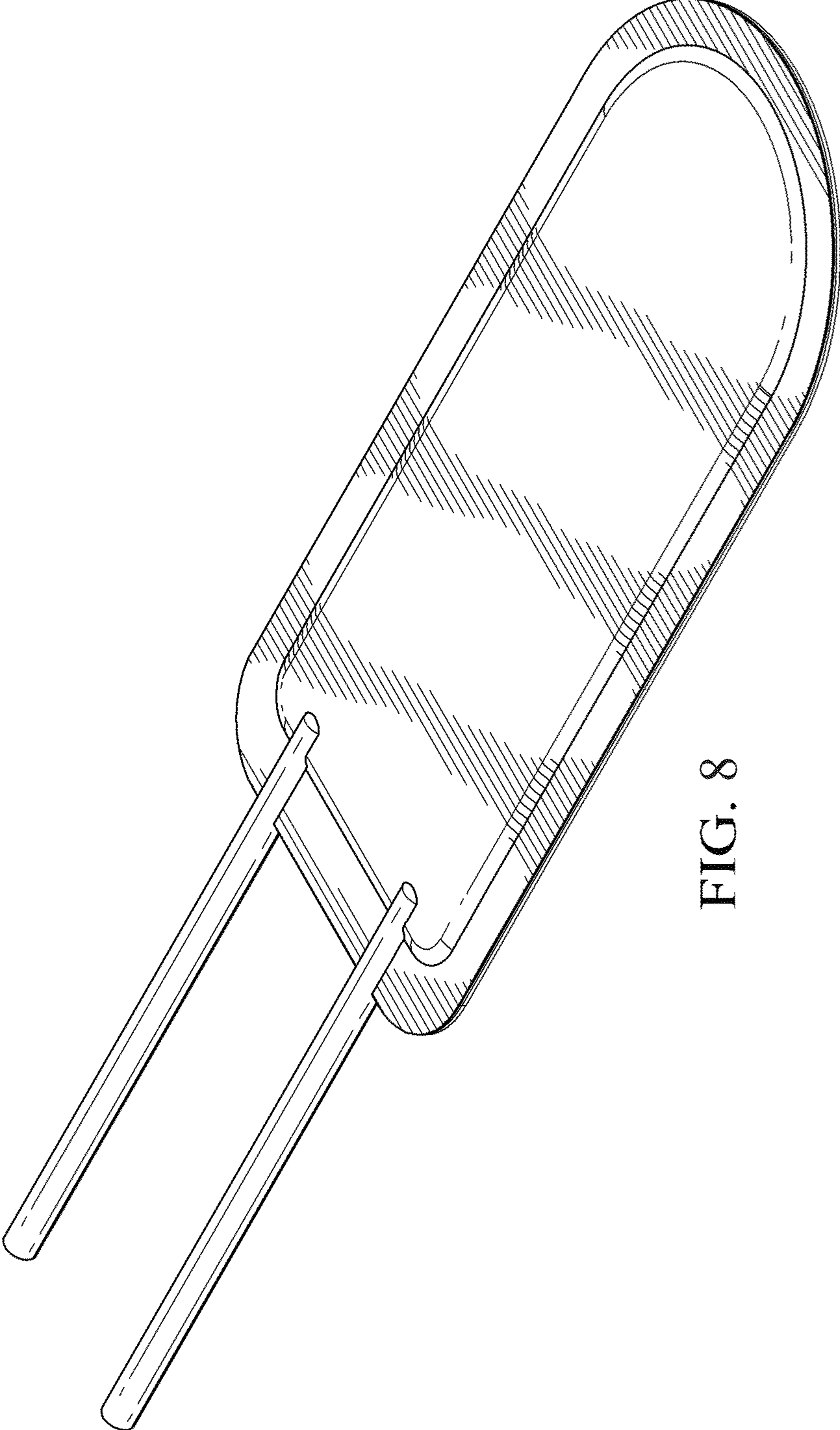


FIG. 8

FIG. 9

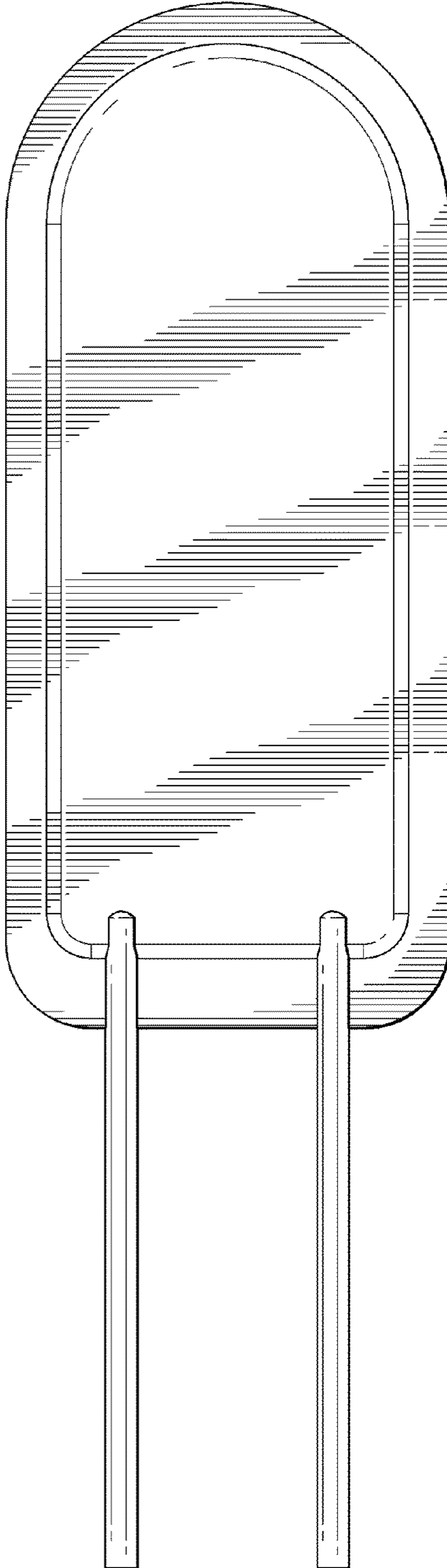


FIG. 10

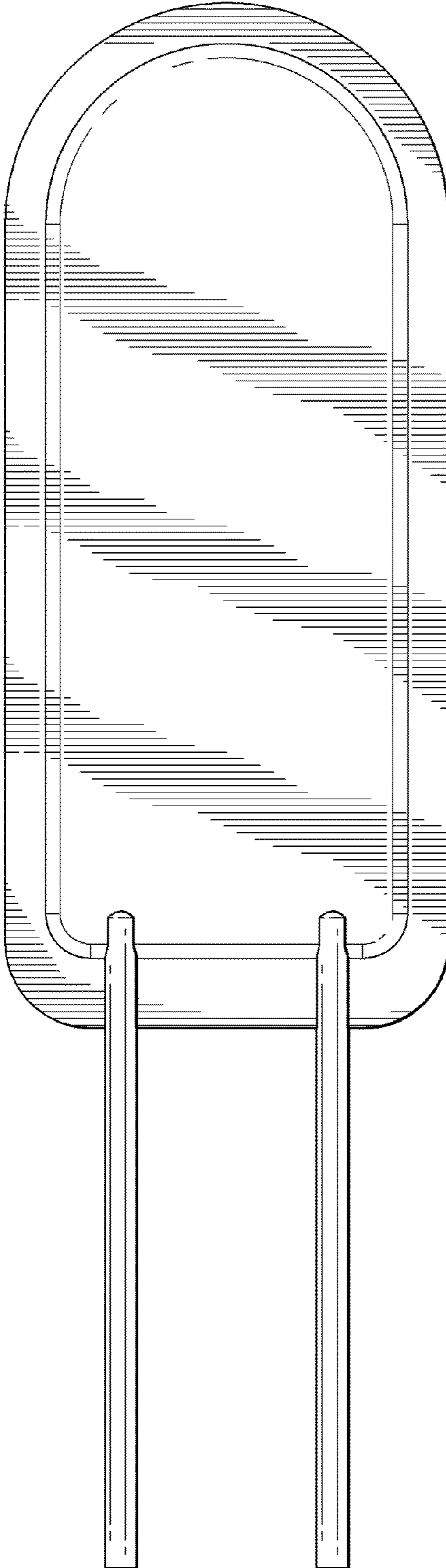


FIG. 11



FIG. 12



FIG. 13

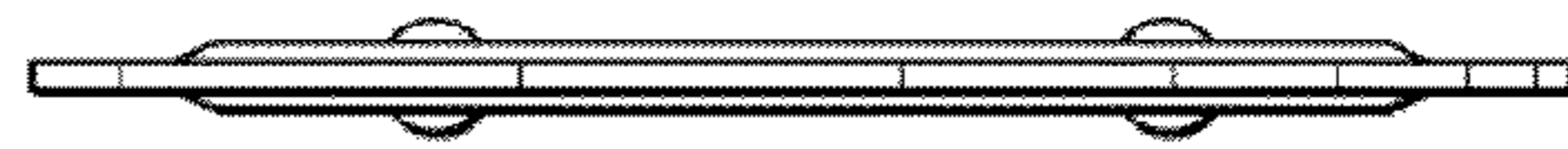


FIG. 14

