



US00D747463S

(12) **United States Design Patent**  
**Bare et al.**

(10) **Patent No.:** **US D747,463 S**  
(45) **Date of Patent:** **\*\* Jan. 12, 2016**

- (54) **TRACHEOSTOMY VALVE**
- (71) Applicant: **Passy-Muir, Inc.**, Irvine, CA (US)
- (72) Inventors: **Rex O. Bare**, Lake Forest, CA (US);  
**Andrew J. Scherer**, Trabuco Canyon, CA (US)
- (73) Assignee: **Passy-Muir, Inc.**, Irvine, CA (US)
- (\*\*) Term: **14 Years**
- (21) Appl. No.: **29/445,494**
- (22) Filed: **Feb. 12, 2013**

3,802,096 A	4/1974	Matern	
3,844,290 A	10/1974	Birch et al.	
4,029,105 A	6/1977	Faust	
4,040,428 A *	8/1977	Clifford	128/207.16

(Continued)

**FOREIGN PATENT DOCUMENTS**

JP	S61-130678	6/1986
JP	62-502103	8/1987

(Continued)

**OTHER PUBLICATIONS**

Boston Medical Products, Montgomery® Ventrach™ Speaking Valve, Product Codes: 221401, 221201, 221202. Retrieved from <http://www.bosmed.com/trachcare/ventrach.html> and <http://www.bosmed.com/trachcare/montgomerytrach.html> on Jul. 31, 2006.

(Continued)

*Primary Examiner* — Deanna L Pratt

*Assistant Examiner* — Lilyana Bekic

(74) *Attorney, Agent, or Firm* — Knobbe Martens Olson & Bear LLP

**Related U.S. Application Data**

- (63) Continuation-in-part of application No. 13/244,067, filed on Sep. 23, 2011, now abandoned, which is a continuation of application No. 11/830,573, filed on Jul. 30, 2007, now Pat. No. 8,051,856.
- (51) **LOC (10) Cl.** ..... **29-02**
- (52) **U.S. Cl.**  
USPC ..... **D24/110.6**
- (58) **Field of Classification Search**  
USPC ..... D24/110, 110.1, 110.4, 110.5, 129,  
D24/164; 128/201.28, 205.24, 207.12,  
128/207.14–207.16  
CPC ..... A61M 16/0468; A61M 16/208; A61M  
16/107; A61M 16/04; A61M 16/0465; A61F  
2/203; A61F 2/20  
See application file for complete search history.

(57) **CLAIM**

The ornamental design for a tracheostomy valve, as shown and described.

**DESCRIPTION**

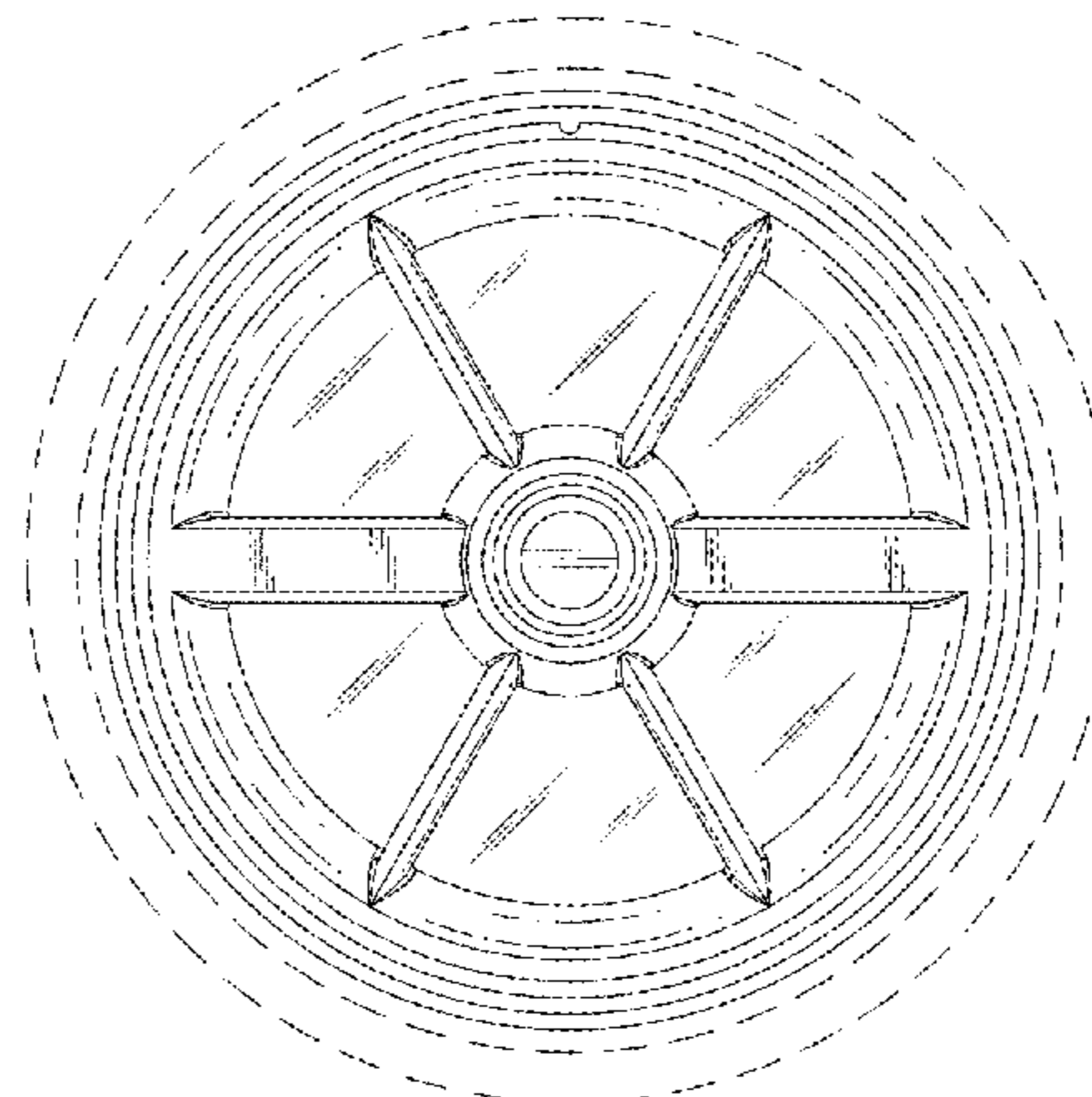
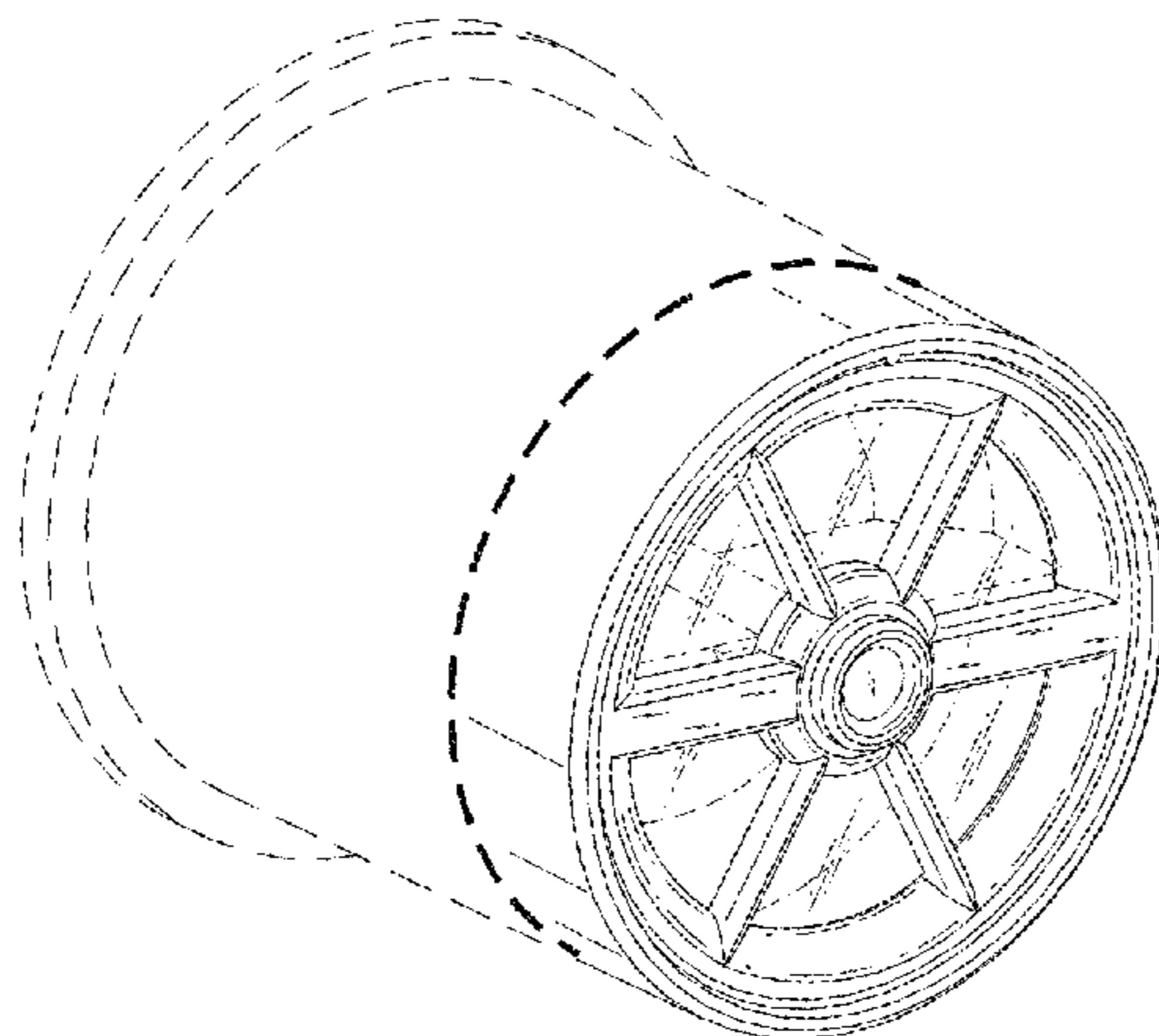
FIG. 1 is a top, front and side perspective view of a tracheostomy valve embodying the new design. FIG. 2 is a bottom, back and side perspective view thereof. FIG. 3 is a top view thereof. FIG. 4 is a bottom view thereof; and, FIG. 5 is a side view thereof, the opposite side, the front and the back all being identical. Broken lines are used to illustrate portions of the tracheostomy valve which form no part of the claimed design.

**1 Claim, 2 Drawing Sheets**

(56) **References Cited**

**U.S. PATENT DOCUMENTS**

3,009,266 A	11/1961	Brook	
3,137,299 A *	6/1964	Tabor	128/207.16
3,376,659 A	4/1968	Asin	
3,410,003 A	11/1968	Sovijarvi	
3,693,624 A	9/1972	Shiley et al.	



(56)

References Cited

U.S. PATENT DOCUMENTS

D249,279 S \* 9/1978 Backlund ..... D24/164  
 4,209,919 A 7/1980 Kirikae et al.  
 4,325,366 A \* 4/1982 Tabor ..... 128/207.16  
 4,416,273 A 11/1983 Grimes  
 4,484,896 A 11/1984 Kohnke  
 4,494,252 A 1/1985 Chaoui  
 4,506,665 A 3/1985 Andrews et al.  
 4,510,933 A 4/1985 Wendt et al.  
 4,582,058 A \* 4/1986 Depel et al. .... 128/207.17  
 4,683,916 A 8/1987 Raines  
 4,759,356 A \* 7/1988 Muir ..... 128/207.16  
 4,773,865 A 9/1988 Baldwin  
 4,877,025 A \* 10/1989 Hanson ..... 128/204.16  
 5,005,568 A \* 4/1991 Loescher et al. .... 128/202.28  
 5,055,052 A 10/1991 Johnsen  
 5,195,896 A 3/1993 Sweeney et al.  
 5,238,409 A 8/1993 Brault et al.  
 5,259,378 A \* 11/1993 Huchon et al. .... 128/207.16  
 5,312,259 A 5/1994 Flynn  
 5,314,339 A 5/1994 Aponte  
 5,392,775 A \* 2/1995 Adkins et al. .... 128/207.16  
 5,738,095 A 4/1998 Persson  
 5,746,199 A \* 5/1998 Bayron et al. .... 128/205.24  
 5,806,515 A 9/1998 Bare et al.  
 6,193,751 B1 \* 2/2001 Singer ..... 623/9  
 6,334,441 B1 1/2002 Zowtiak et al.  
 6,921,417 B2 7/2005 Persson  
 7,025,784 B1 4/2006 Blom et al.  
 7,063,086 B2 \* 6/2006 Shahbazzpour et al. .. 128/205.24  
 7,240,676 B2 \* 7/2007 Rutter ..... 128/207.16

7,252,110 B2 8/2007 Semeia  
 7,311,119 B2 12/2007 Takehana et al.  
 8,051,856 B2 11/2011 Bare et al.  
 D691,717 S \* 10/2013 McLean et al. .... D24/129  
 8,800,565 B1 \* 8/2014 Root ..... 128/207.16  
 2002/0156527 A1 \* 10/2002 Persson ..... 623/9  
 2002/0157674 A1 \* 10/2002 Shikani et al. .... 128/207.29  
 2004/0123868 A1 \* 7/2004 Rutter ..... 128/207.14  
 2004/0182446 A1 9/2004 Semeia  
 2006/0118190 A1 6/2006 Takehana et al.  
 2009/0032028 A1 \* 2/2009 Bare et al. .... 128/207.16  
 2012/0012116 A1 1/2012 Bare et al.  
 2012/0097170 A1 \* 4/2012 Dawson ..... 128/207.16  
 2014/0305440 A1 \* 10/2014 Root ..... 128/207.16

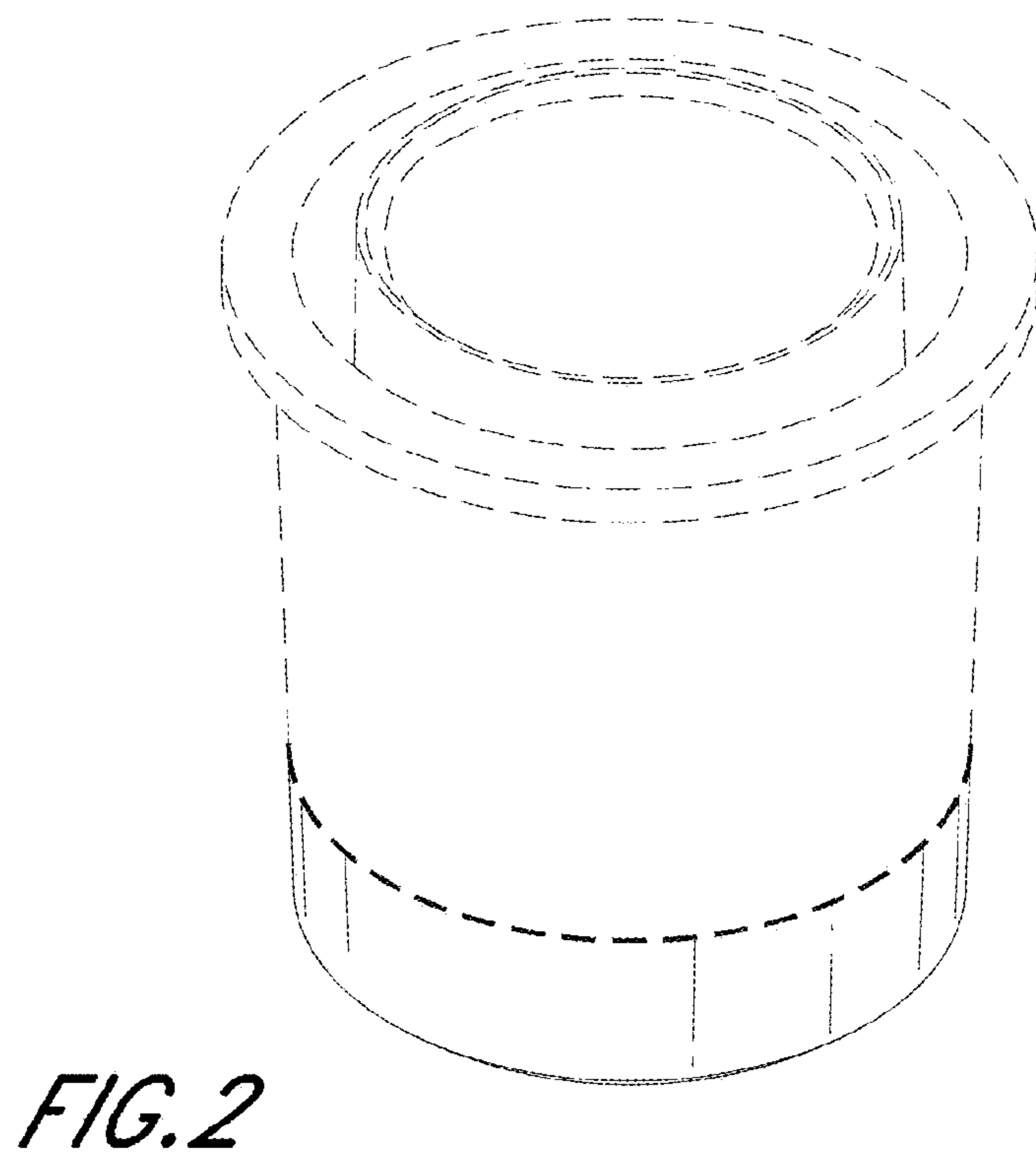
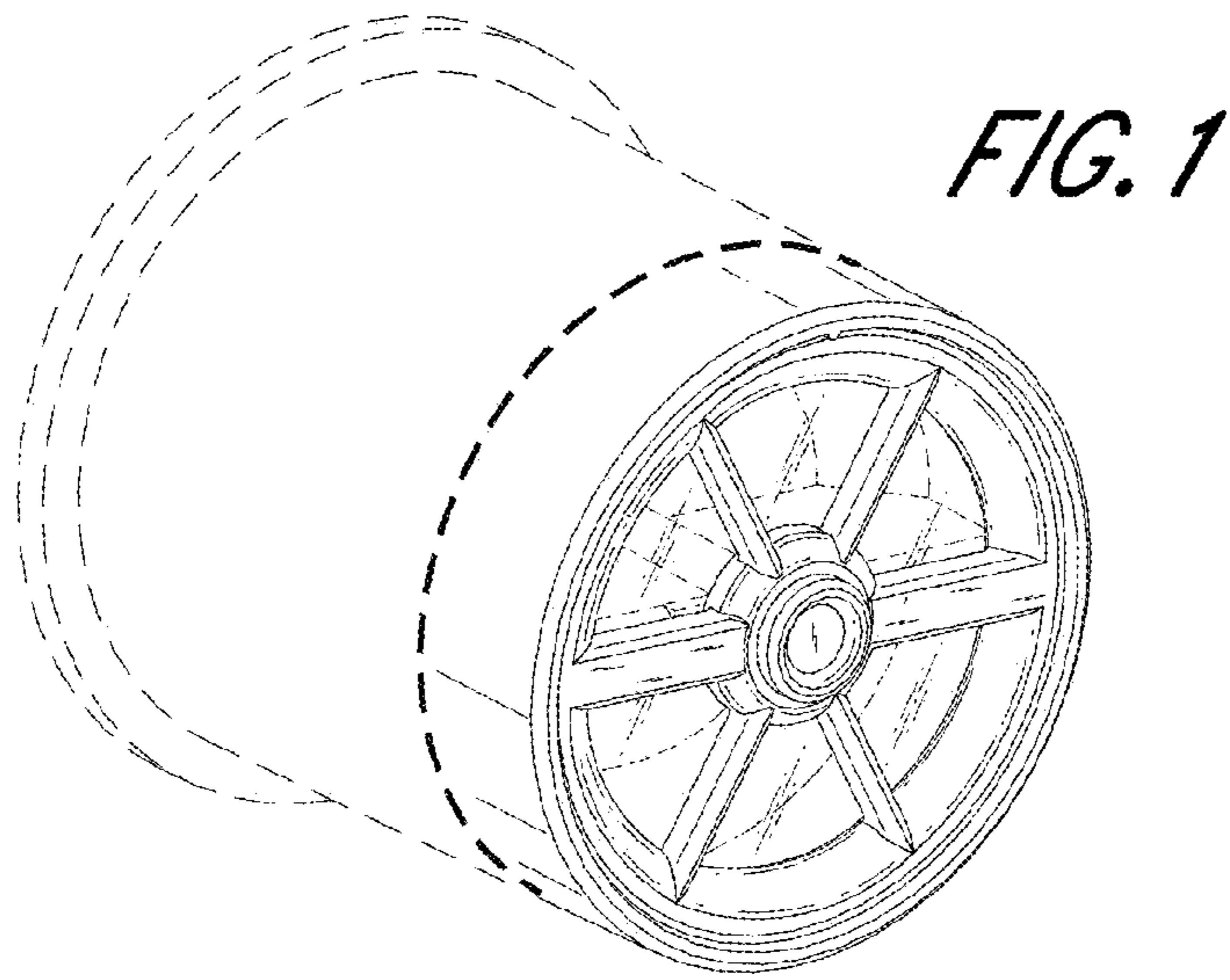
FOREIGN PATENT DOCUMENTS

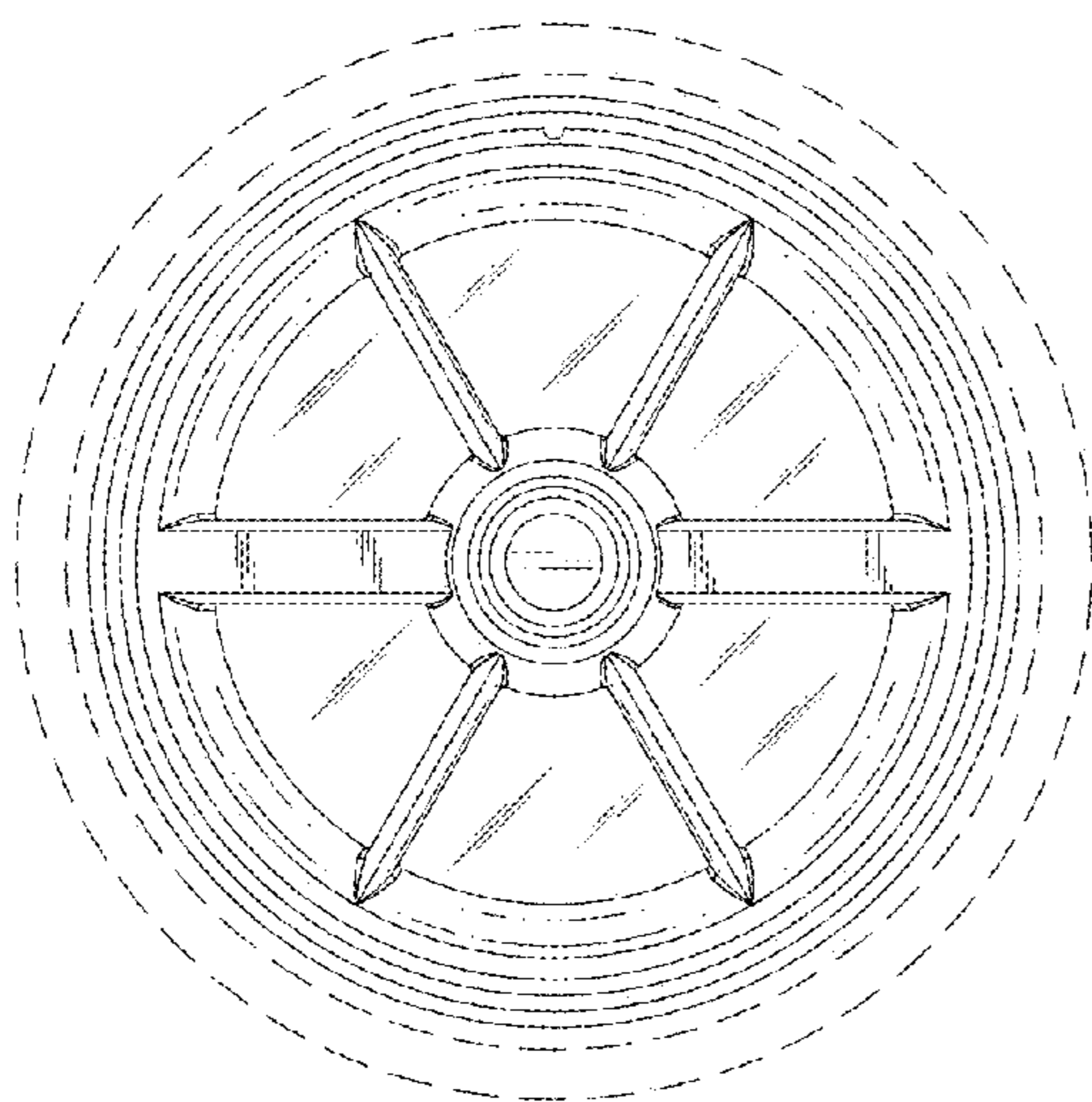
JP	S63-96848	6/1988
JP	2000-511458	9/2000
JP	2003-501141	1/2003
JP	2006-509601	3/2006
WO	WO 86/05102	2/1986
WO	WO 98/43692	10/1998
WO	WO 00/16840	3/2000
WO	WO 02/074377	9/2002
WO	WO 03/061531	7/2003

OTHER PUBLICATIONS

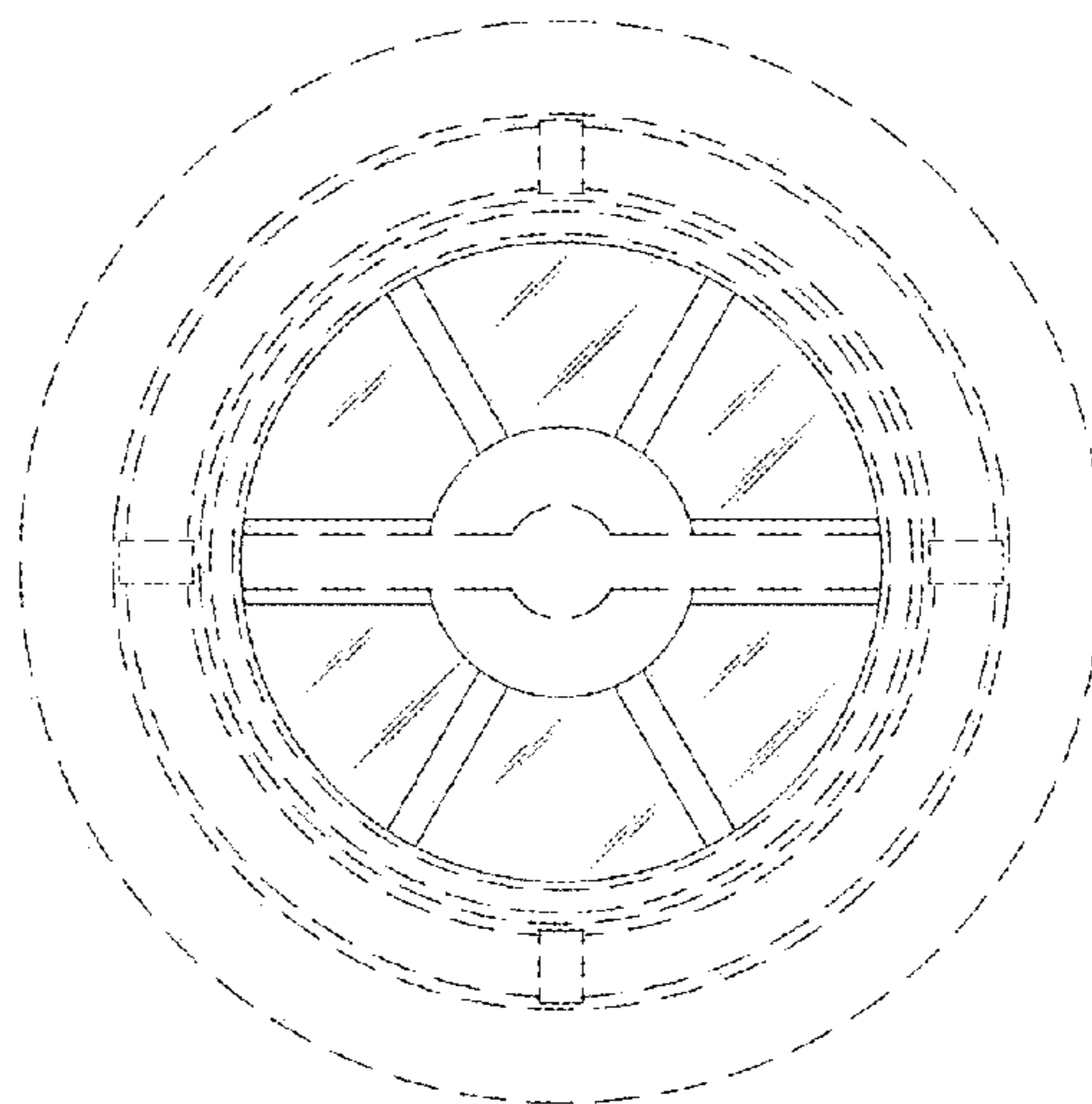
Passy-Muir, Inc., Tracheostomy and Ventilator Speaking Valves  
 Instruction Booklet. Copyright 1989.

\* cited by examiner

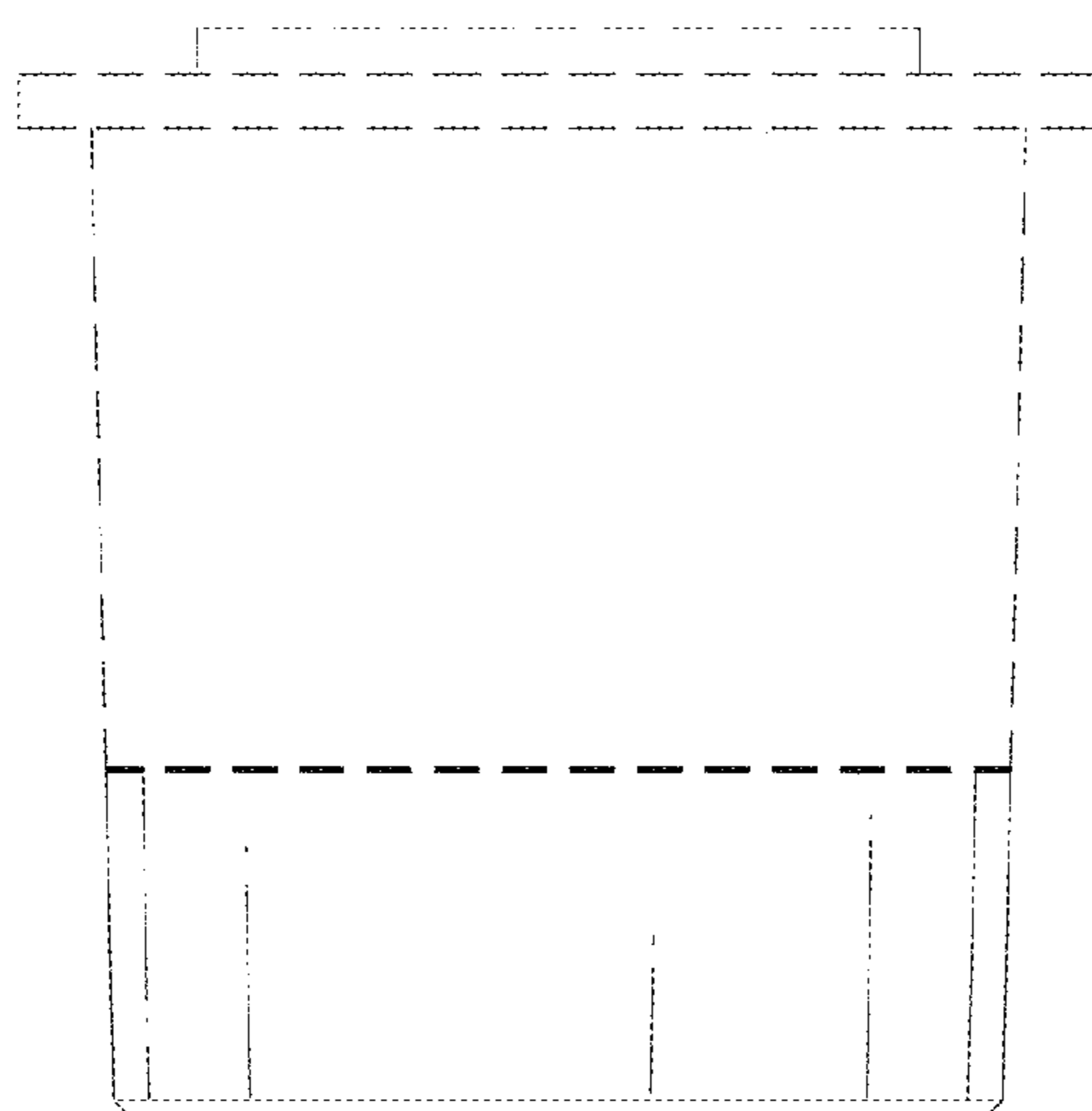




*FIG. 3*



*FIG. 4*



*FIG. 5*