



US00D747461S

(12) **United States Design Patent**
Tam et al.

(10) **Patent No.:** **US D747,461 S**
(45) **Date of Patent:** **** Jan. 12, 2016**

(54) **EAR PIECE GUIDE SET**

(71) Applicant: **Breathe Technologies, Inc.**, Irvine, CA (US)

(72) Inventors: **Darren G. Tam**, Irvine, CA (US);
Enrico Brambilla, Irvine, CA (US);
Samir Ahmad, Irvine, CA (US)

(73) Assignee: **Breathe Technologies, Inc.**, Irvine, CA (US)

(**) Term: **14 Years**

(21) Appl. No.: **29/486,429**

(22) Filed: **Mar. 28, 2014**

(51) **LOC (10) Cl.** **29-02**

(52) **U.S. Cl.**
USPC **D24/110.1; D24/127**

(58) **Field of Classification Search**
USPC D24/110, 110.1, 110.4, 110.5, 112, 127, D24/128, 164
CPC A61M 16/0666; A61M 16/0672; A61M 16/0683; A61M 2025/0226; A61M 16/0633; A61M 16/06; A61B 5/6819
See application file for complete search history.

(56) **References Cited**

U.S. PATENT DOCUMENTS

4,422,456	A *	12/1983	Tiep	128/207.18
4,641,647	A *	2/1987	Behan	128/207.18
4,699,139	A *	10/1987	Marshall et al.	128/207.18
4,739,757	A *	4/1988	Edwards	128/207.18
4,774,946	A *	10/1988	Ackerman et al.	128/207.18
4,836,200	A *	6/1989	Clark	128/207.18
4,949,733	A *	8/1990	Sampson	128/864
5,244,464	A *	9/1993	Madden et al.	604/179
5,400,776	A *	3/1995	Bartholomew	128/200.24
5,438,979	A *	8/1995	Johnson et al.	128/207.18
5,441,046	A *	8/1995	Starr et al.	128/207.11
5,645,058	A *	7/1997	Odom	128/207.18
5,704,916	A *	1/1998	Byrd	604/179

6,450,166	B1 *	9/2002	McDonald et al.	128/206.27
D468,013	S *	12/2002	Mason	D24/128
D479,327	S *	9/2003	Hansen	D24/128
D501,554	S *	2/2005	Hansen	D24/128
7,146,976	B2 *	12/2006	McKown	128/200.24
D542,912	S *	5/2007	Gunaratnam et al.	D24/110.5
7,481,223	B1 *	1/2009	Batistelli	128/207.18

(Continued)

Primary Examiner — Deanna L Pratt

Assistant Examiner — Lilyana Bekic

(74) *Attorney, Agent, or Firm* — Stetina Brunda Garred & Brucker

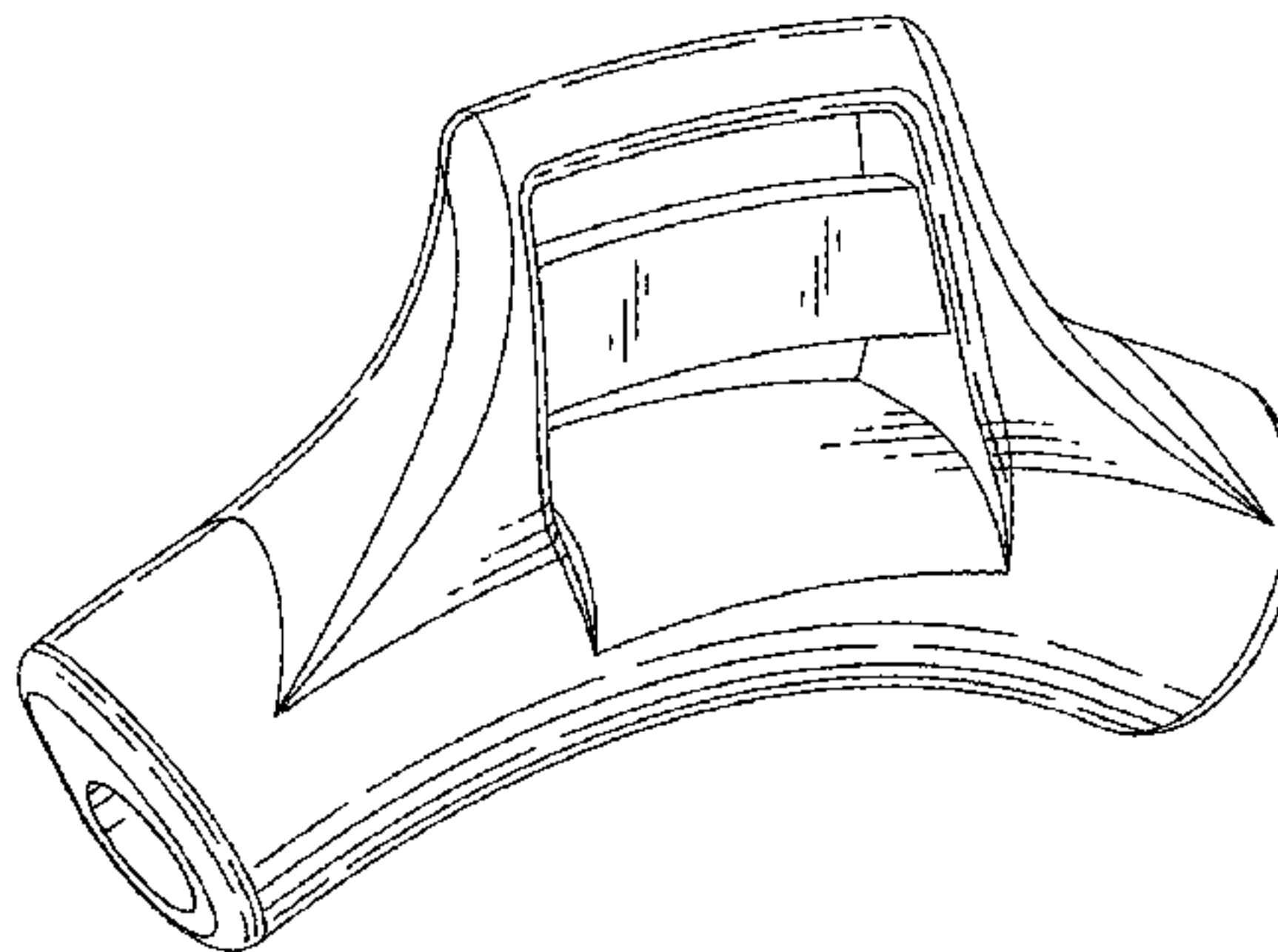
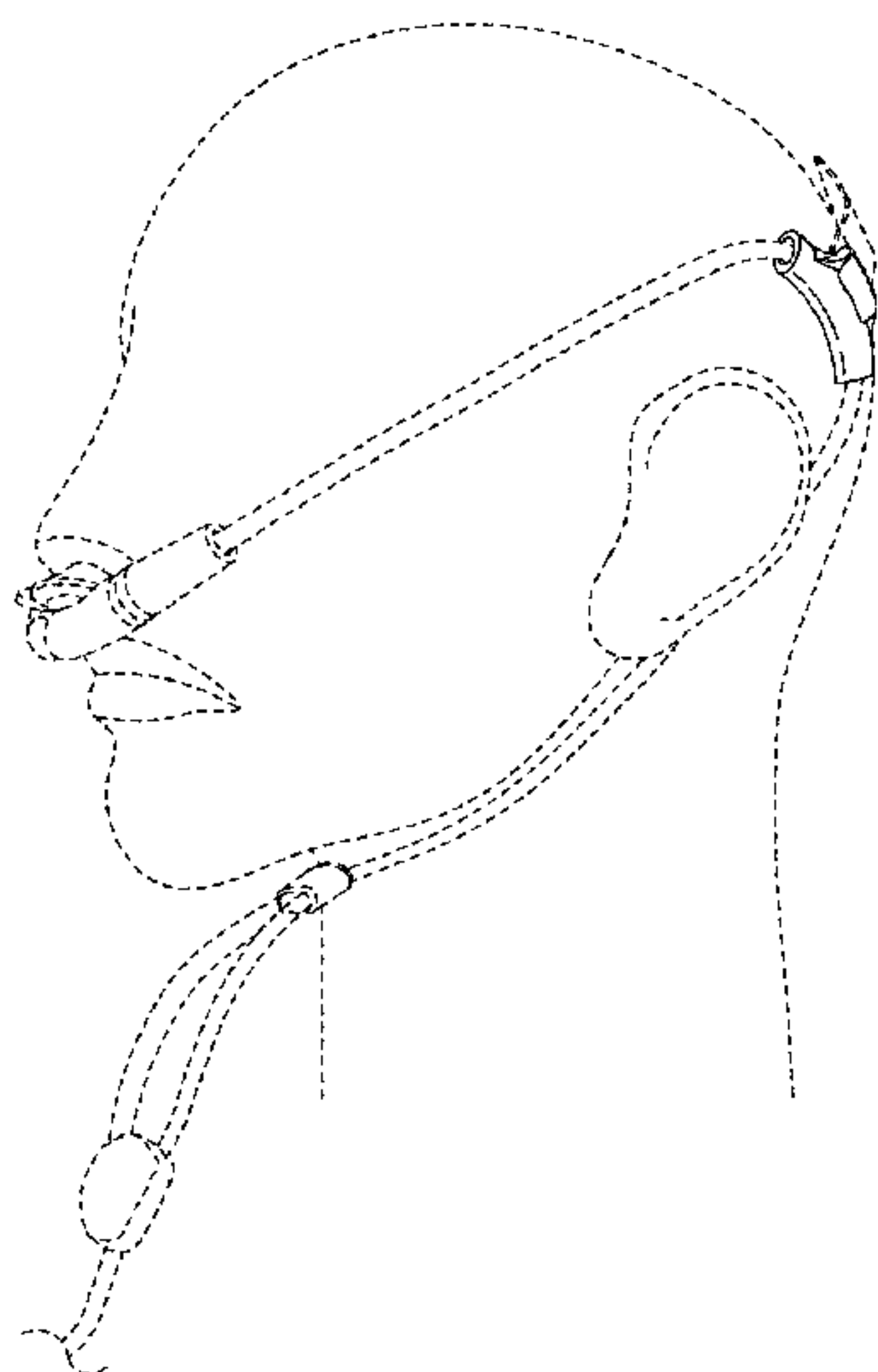
(57) **CLAIM**

The ornamental design for an ear piece guide set, as shown and described.

DESCRIPTION

FIG. 1 is a rear perspective view of the left ear piece guide shown in a position of use;
 FIG. 2 is a rear perspective view of the right ear piece guide shown in a position of use;
 FIG. 3 is a rear perspective view of the right ear piece guide as shown in FIG. 2, the left ear piece guide of FIG. 1 is a mirror image thereof;
 FIG. 4 is a top plan view of the right ear piece guide shown in FIG. 3;
 FIG. 5 is a rear elevational view of the right ear piece guide shown in FIG. 3;
 FIG. 6 is a right side elevational view of the right ear piece guide shown in FIG. 3;
 FIG. 7 is a front elevational view of the right ear piece guide shown in FIG. 3;
 FIG. 8 is a bottom plan view of the right ear piece guide shown in FIG. 3; and,
 FIG. 9 is a left side elevational view of the right ear piece guide shown in FIG. 3.
 The broken line showing of the person and small profile headgear assembly in FIGS. 1 and 2 illustrates the environment of the claimed design and forms no part thereof.

1 Claim, 2 Drawing Sheets



(56)

References Cited

U.S. PATENT DOCUMENTS

D608,882 S *	1/2010	Hitchcock et al.	D24/110	2004/0025884 A1 *	2/2004	McKown	128/207.18
D679,809 S *	4/2013	Clarke et al.	D24/127	2008/0190435 A1 *	8/2008	Hansen	128/207.18
8,701,669 B2 *	4/2014	Jackman et al.	128/207.18	2009/0032018 A1 *	2/2009	Eaton et al.	128/201.22
D722,690 S *	2/2015	Barrett	D24/128	2010/0275343 A1 *	11/2010	Gibson et al.	2/209.13
D723,159 S *	2/2015	Whitfield	D24/128	2011/0259335 A1 *	10/2011	Sullivan	128/205.25
D723,679 S *	3/2015	Neff et al.	D24/110	2012/0325205 A1 *	12/2012	Allum et al.	128/201.13
2003/0189492 A1 *	10/2003	Harvie	340/573.1	2013/0146064 A1 *	6/2013	Dryden	128/207.18
				2014/0373835 A1 *	12/2014	Ahmad et al.	128/203.12
				2015/0083137 A1 *	3/2015	Mittelstadt	128/206.24
				2015/0165152 A1 *	6/2015	Haibach	128/206.21

* cited by examiner

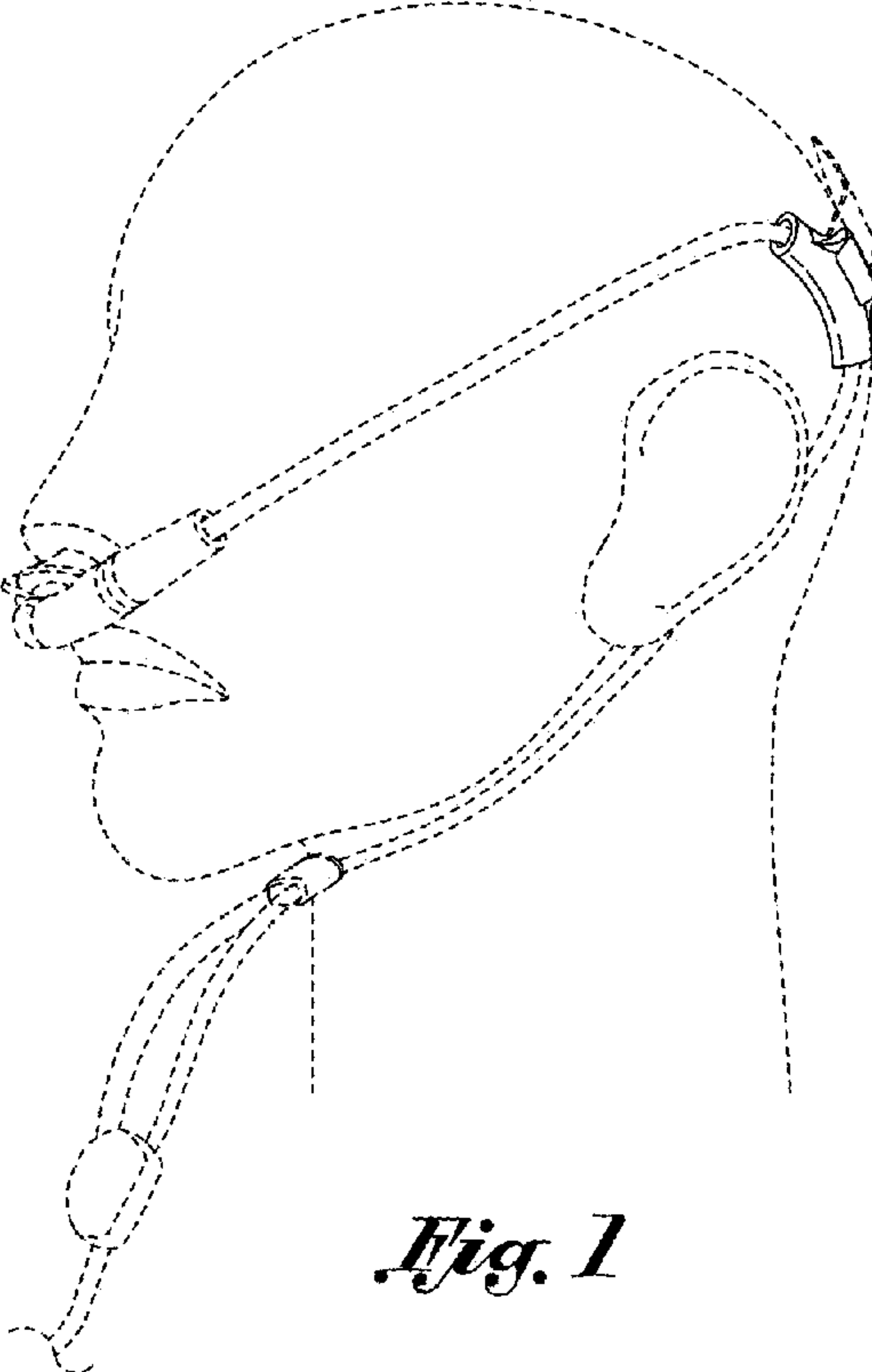


Fig. 1

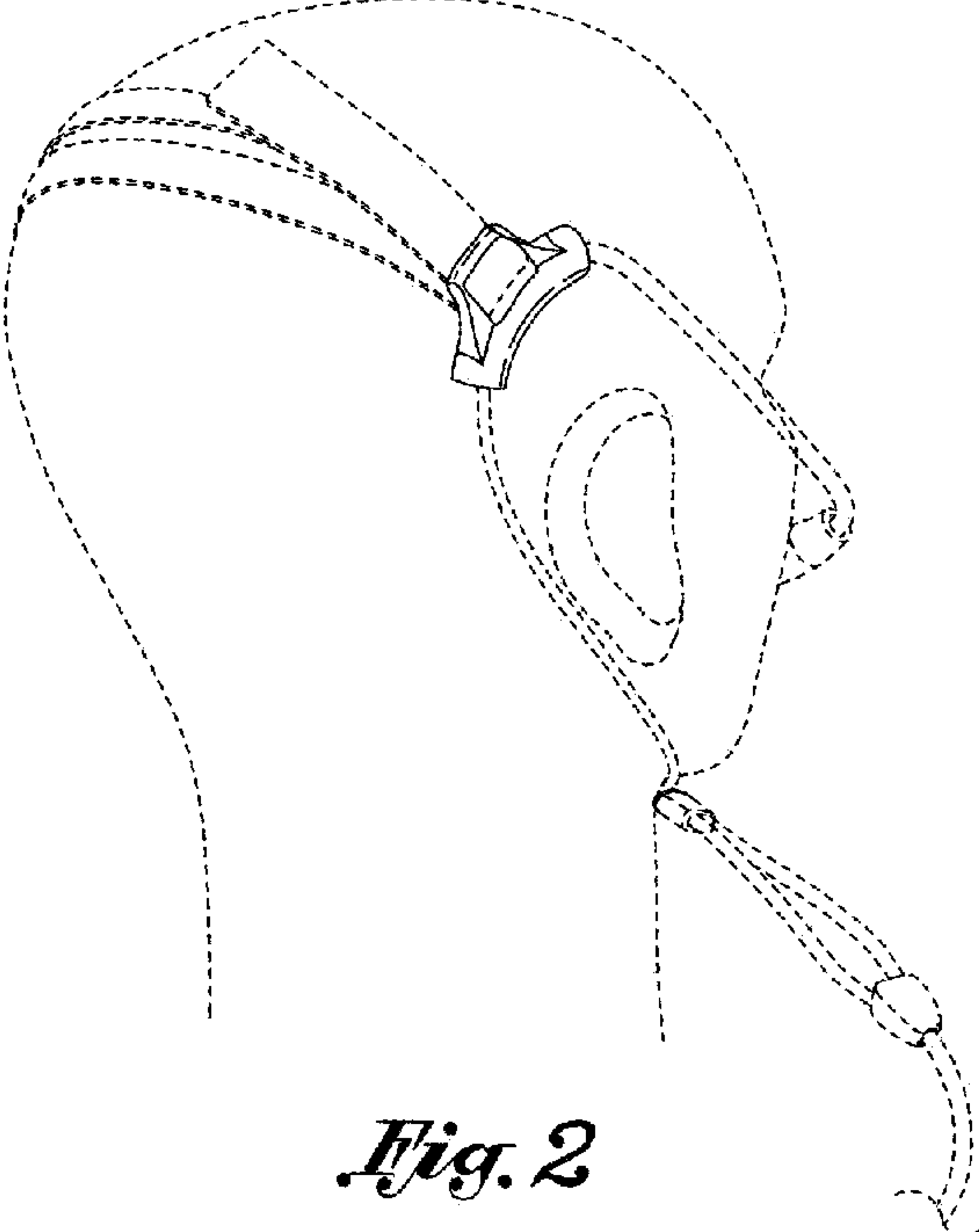


Fig. 2

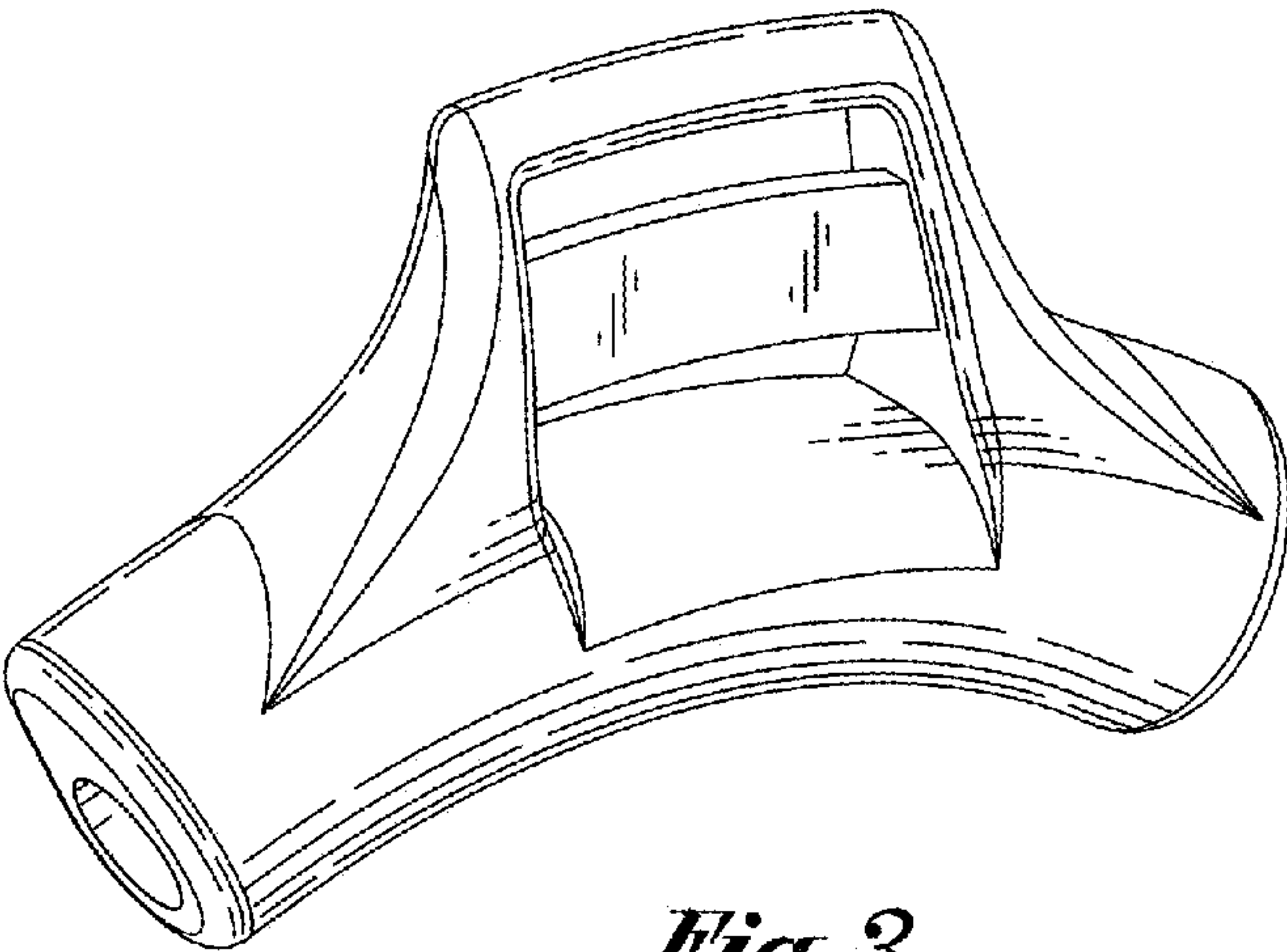


Fig. 3

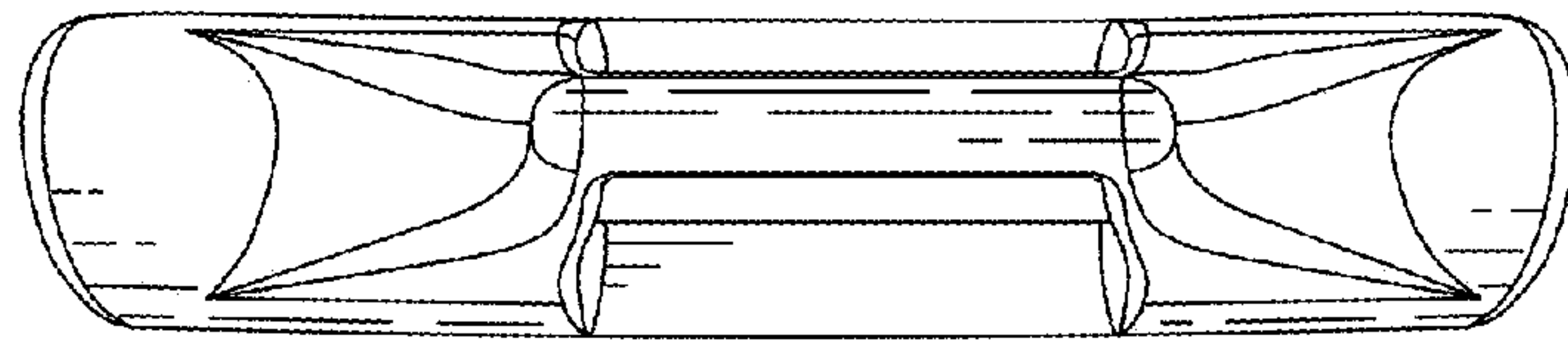


Fig. 4

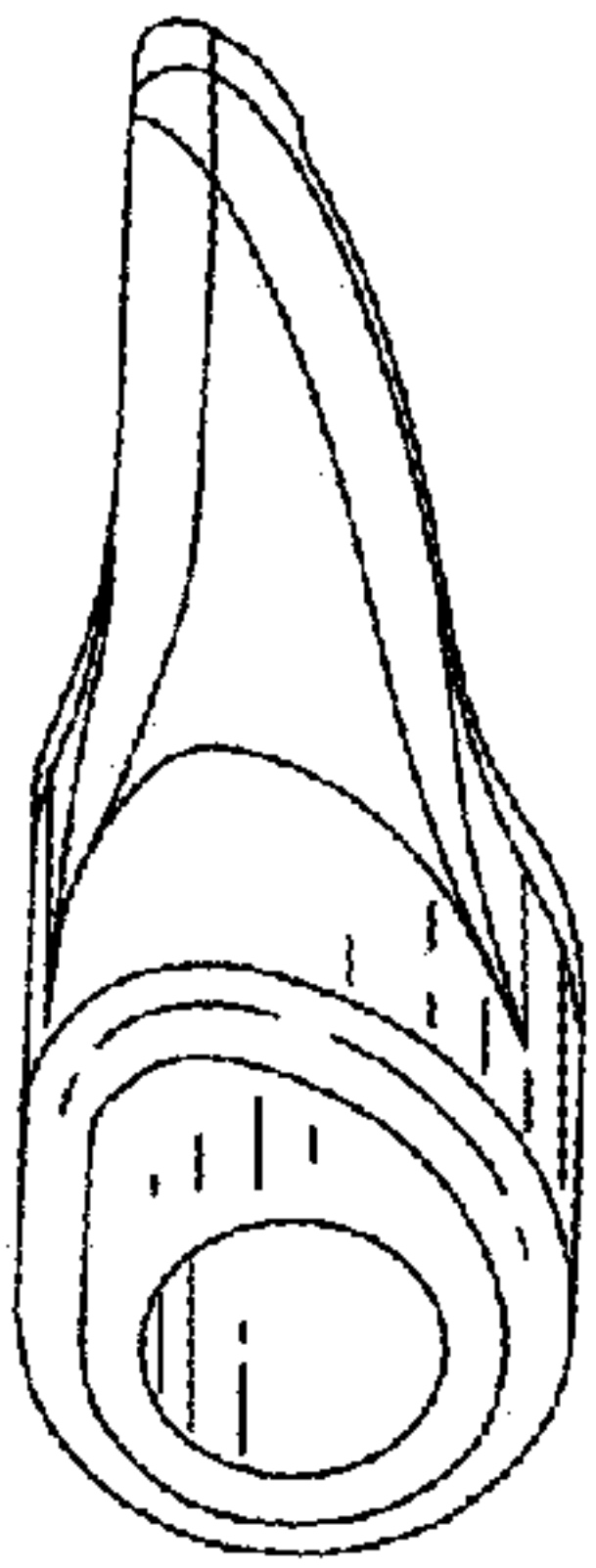


Fig. 5

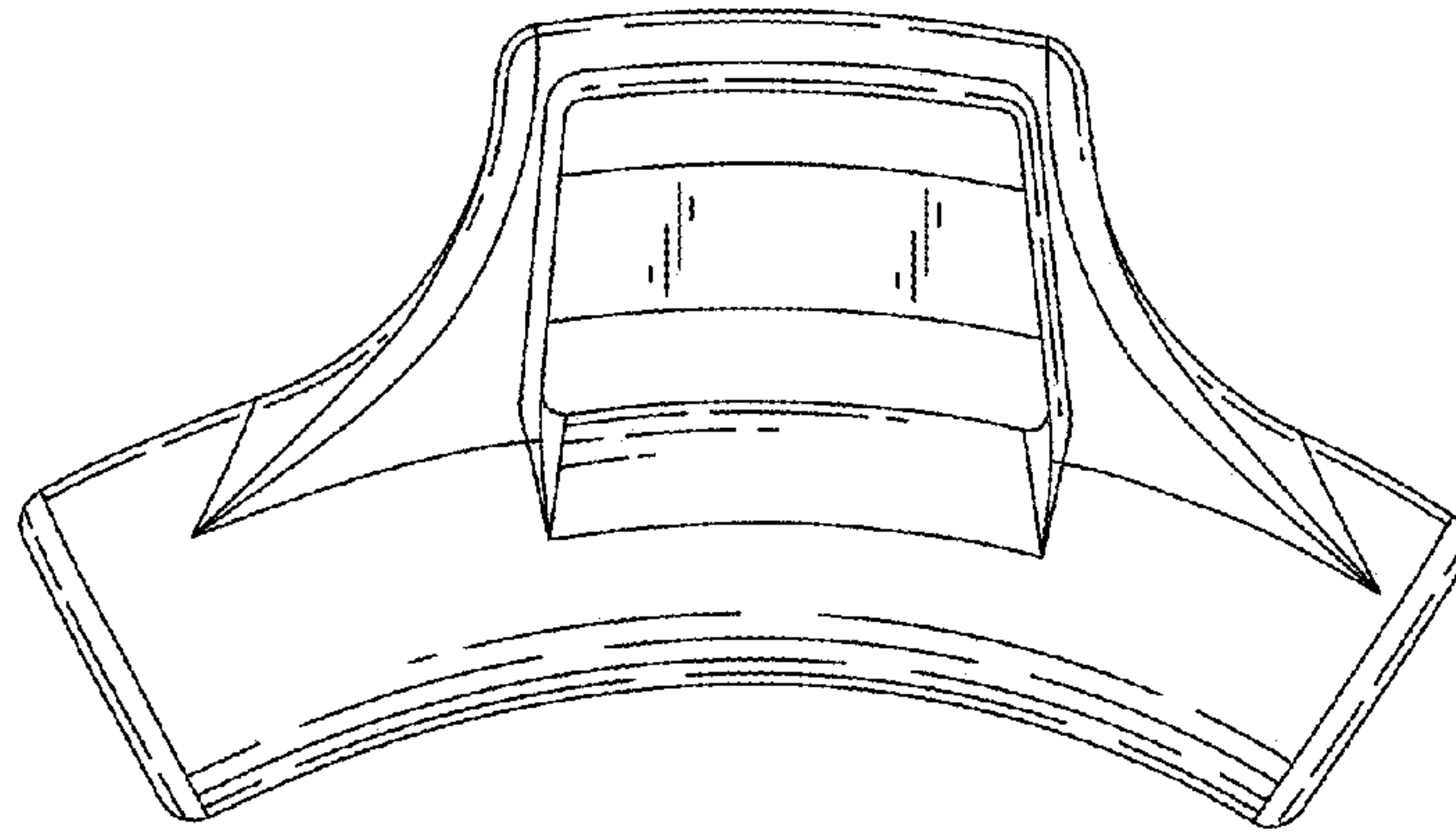


Fig. 6

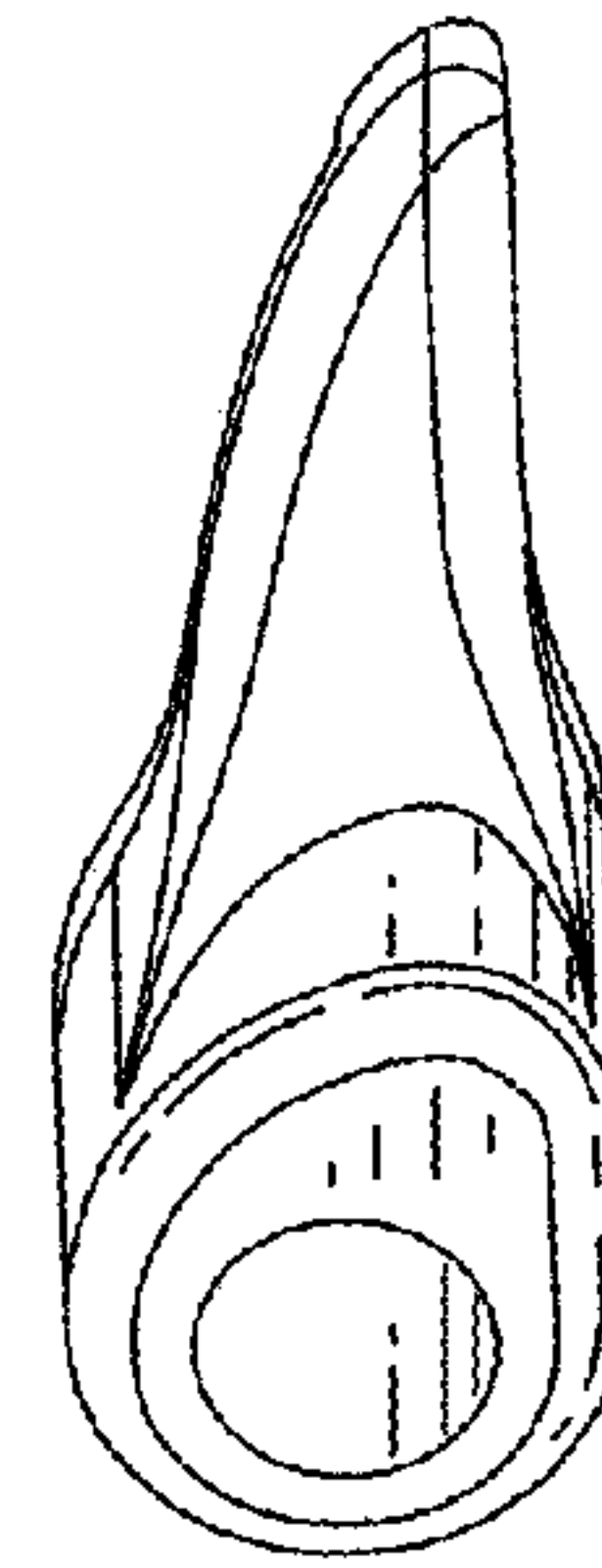


Fig. 7

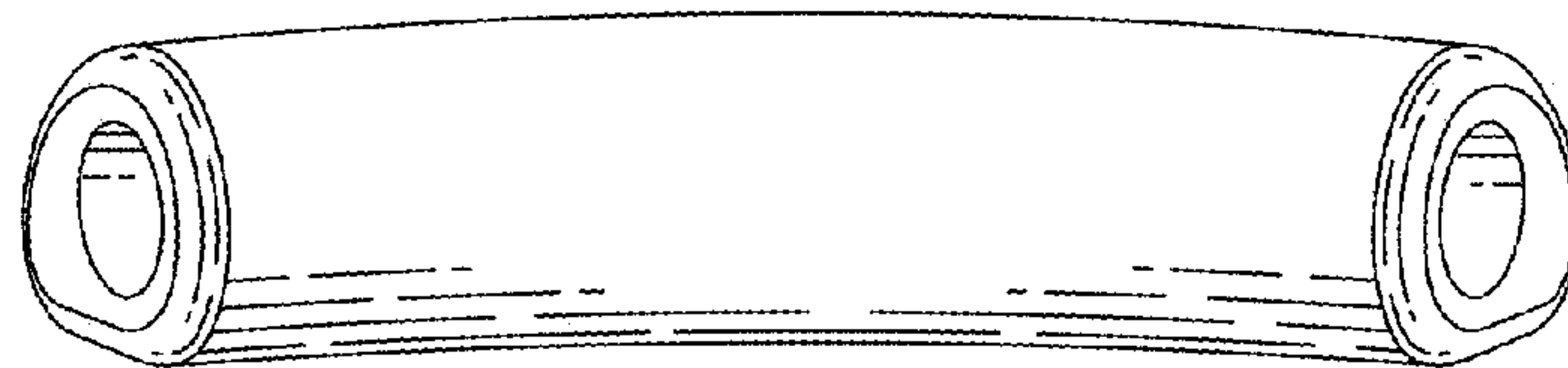


Fig. 8

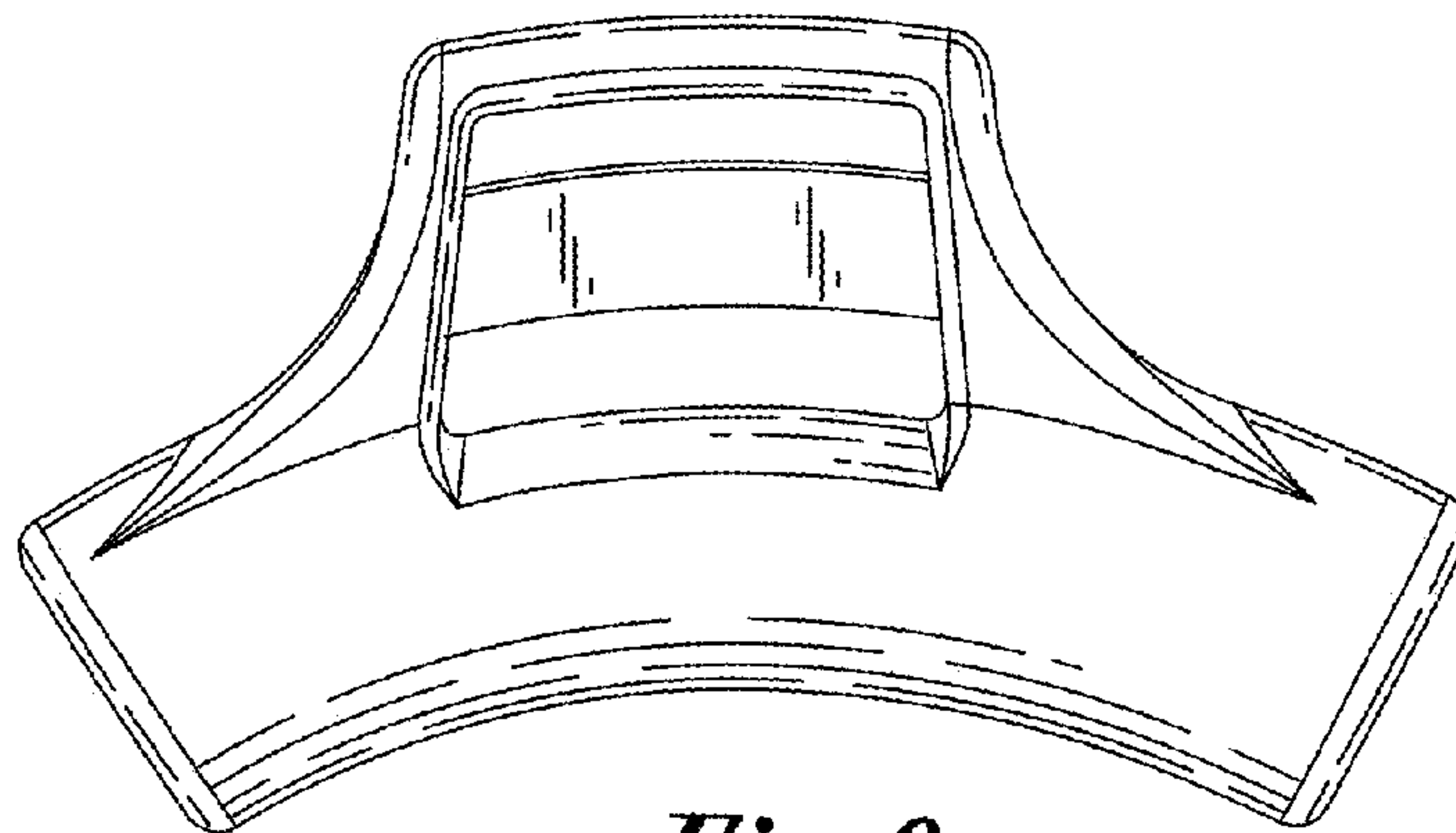


Fig. 9