



US00D747460S

(12) **United States Design Patent**
Hogea et al.

(10) **Patent No.:** **US D747,460 S**
(45) **Date of Patent:** **** Jan. 12, 2016**

(54) **PATIENT INTERFACE ASSEMBLY**

(71) Applicant: **KONINKLIJKE PHILIPS N.V.**,
Eindhoven (NL)
(72) Inventors: **Mihai Hogea**, Pittsburgh, PA (US); **Eric Alan Higgins**, Cheswick, PA (US); **Robert Scott Dulabon**, Pittsburgh, PA (US); **Kevin Daniel Himes**, Irwin, PA (US); **Jeffrey Huth**, Delmont, PA (US); **Joshua Mark Greenberg**, Pittsburgh, PA (US); **Matthew Michael Julian**, Pittsburgh, PA (US); **Elizabeth Eury**, Latrobe, PA (US); **Steven Robert Warren**, Murrysville, PA (US); **Matthew Answine**, Apollo, PA (US)

(73) Assignee: **KONINKLIJKE PHILIPS N.V.**,
Eindhoven (NL)

(**) Term: **14 Years**

(21) Appl. No.: **29/471,899**

(22) Filed: **Nov. 6, 2013**

(30) **Foreign Application Priority Data**

May 7, 2013 (EM) 002233619-0004

(51) **LOC (10) Cl.** **29-02**

(52) **U.S. Cl.**
USPC **D24/110.1**

(58) **Field of Classification Search**
USPC D24/110, 127-128, 110.1-110.6;
D29/102, 122; D2/866, 891;
128/206.21, 206.27, 207.11, 207.17,
128/205.25

See application file for complete search history.

(56) **References Cited**

U.S. PATENT DOCUMENTS

D678,999	S	*	3/2013	Selvarajan et al.	D24/110
D686,313	S	*	7/2013	Matula et al.	D24/110.1
D692,999	S	*	11/2013	Huth et al.	D24/110
D717,942	S	*	11/2014	Neff et al.	D24/127
8,887,725	B2	*	11/2014	Hernandez et al.	128/205.25
2007/0272249	A1	*	11/2007	Chandran et al.	128/206.28
2009/0151729	A1	*	6/2009	Judson et al.	128/207.13
2011/0056497	A1	*	3/2011	Scheiner et al.	128/206.24
2013/0037030	A1	*	2/2013	Matula, Jr.	128/205.25
2013/0239973	A1	*	9/2013	Scheiner et al.	128/206.24
2013/0263858	A1	*	10/2013	Ho et al.	128/205.25
2014/0026890	A1	*	1/2014	Haskard et al.	128/207.11
2014/0150798	A1	*	6/2014	Fong et al.	128/206.21
2014/0299134	A1	*	10/2014	Matula	128/205.25
2014/0311493	A1	*	10/2014	Chandran et al.	128/205.25
2014/0326248	A1	*	11/2014	Haibach et al.	128/207.18

* cited by examiner

Primary Examiner — Wan Laymon

Assistant Examiner — Mark Booker

(74) *Attorney, Agent, or Firm* — Michael W. Haas

(57) **CLAIM**

The ornamental design for a patient interface assembly, as shown and described.

DESCRIPTION

FIG. 1 is a perspective view of a patient interface assembly showing our design.

FIG. 2 is a front elevational view thereof;

FIG. 3 is a rear elevational view thereof;

FIG. 4 is a right side elevational view thereof;

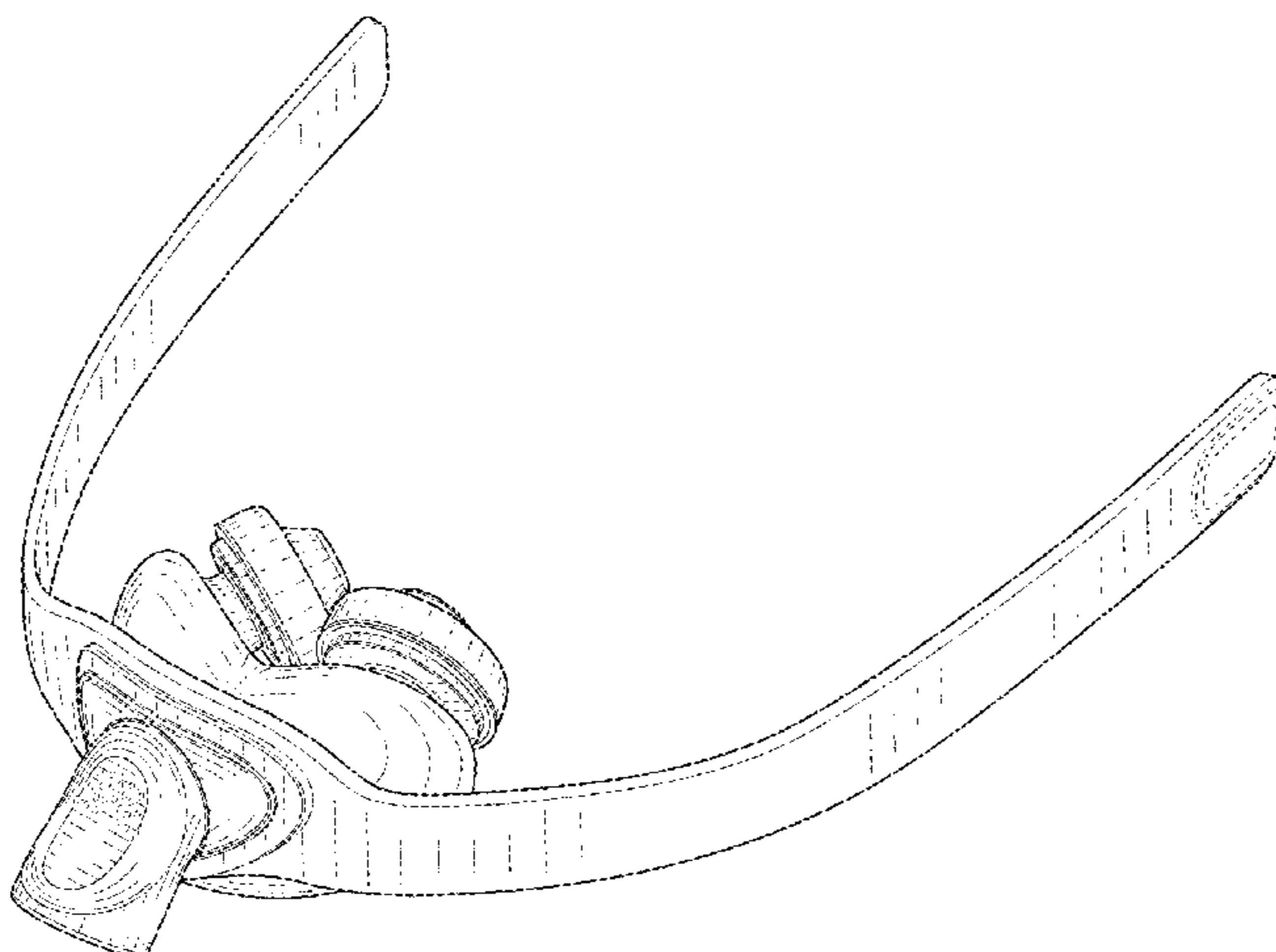
FIG. 5 is a left side elevational view thereof;

FIG. 6 is a top plan view thereof; and,

FIG. 7 is a bottom plan view thereof.

The broken lines shown in the figures are included for the purpose of illustrating portions of the patient interface assembly and form no part of the claimed design.

1 Claim, 5 Drawing Sheets



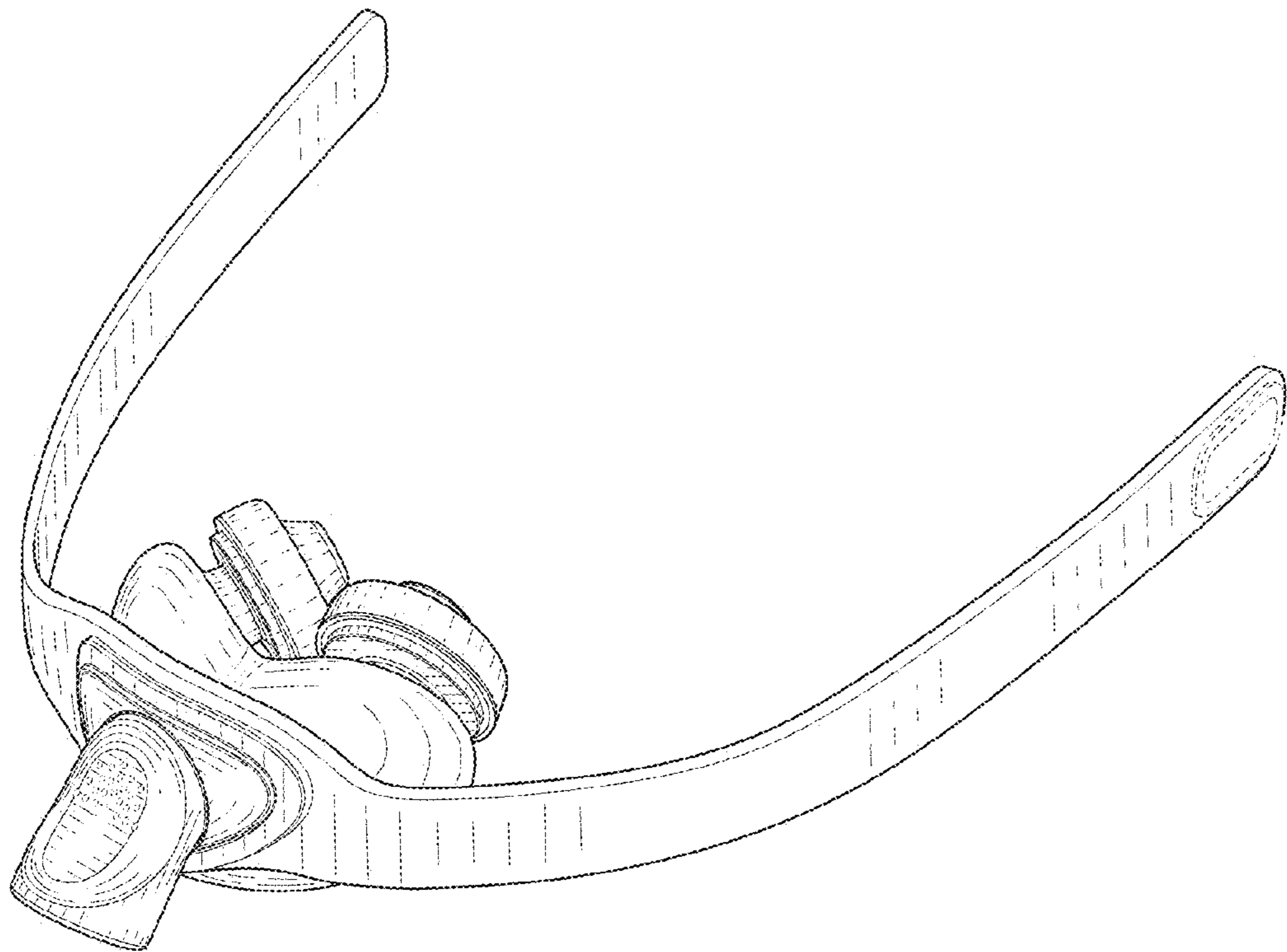


FIG. 1

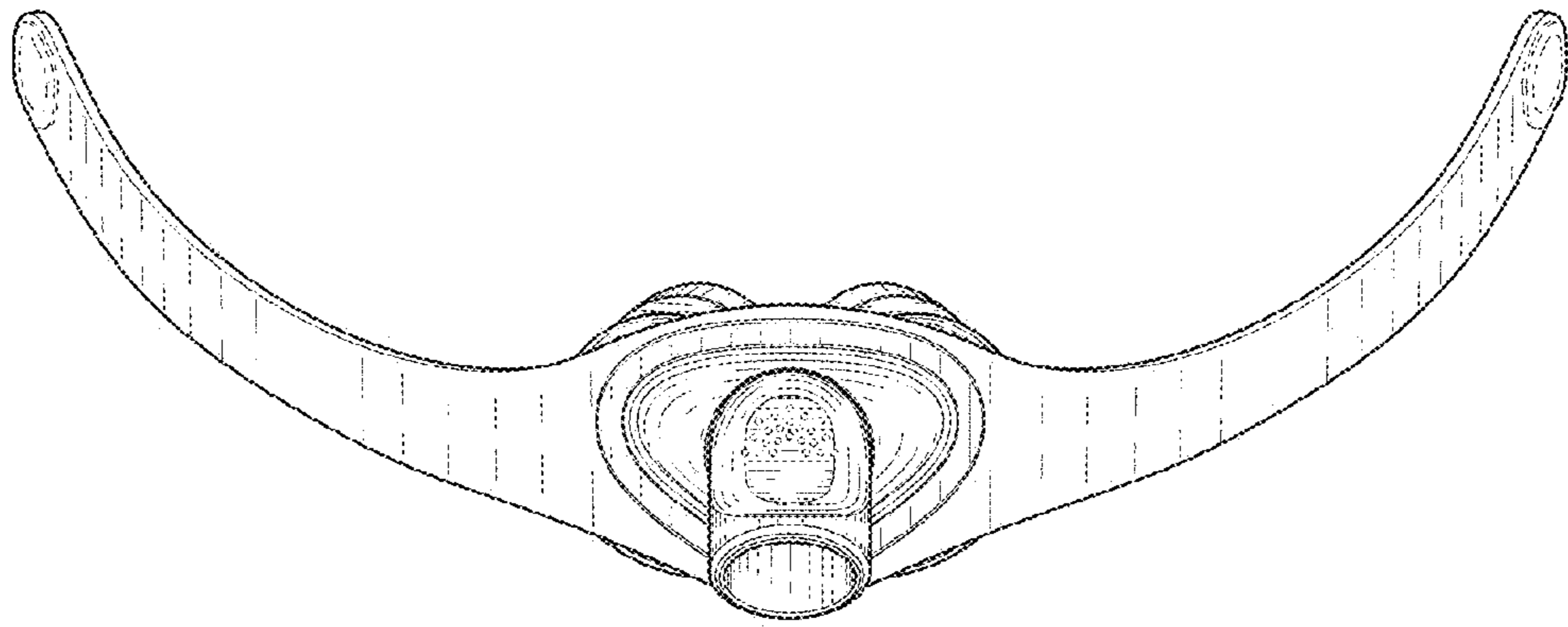


FIG. 2

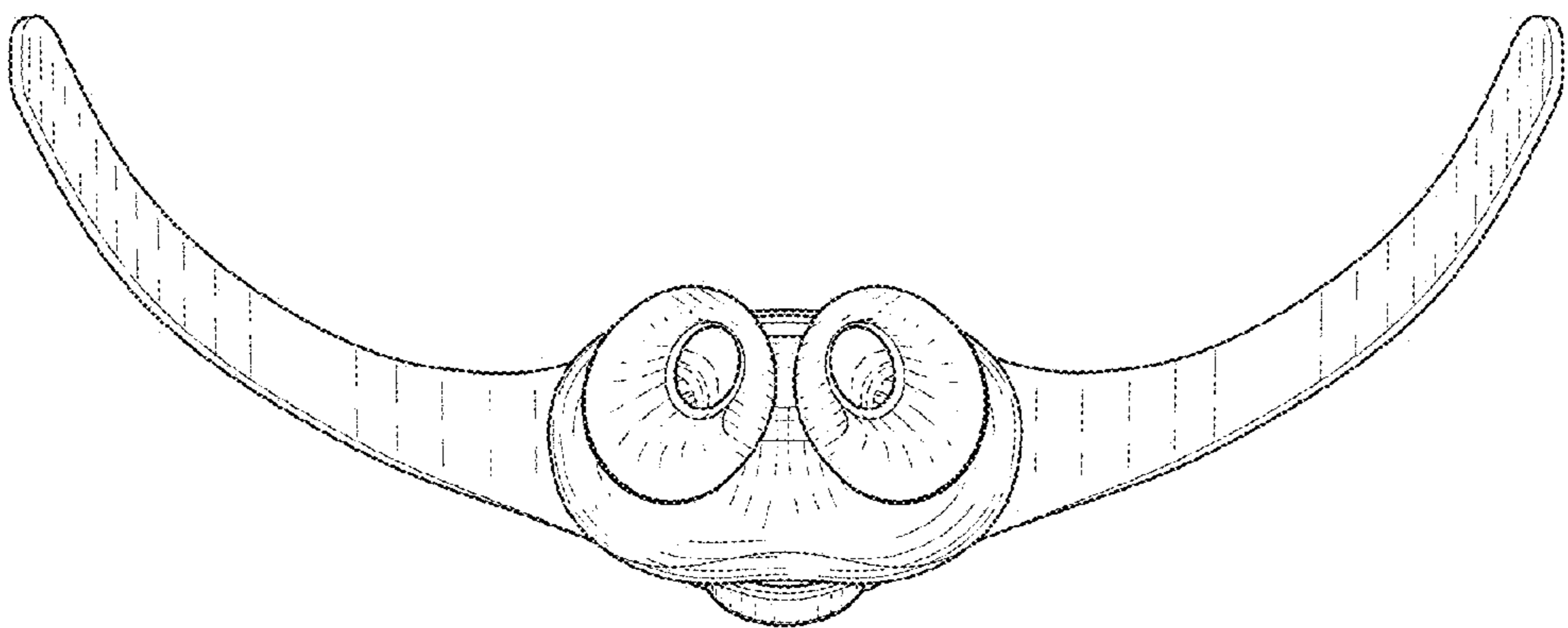


FIG. 3

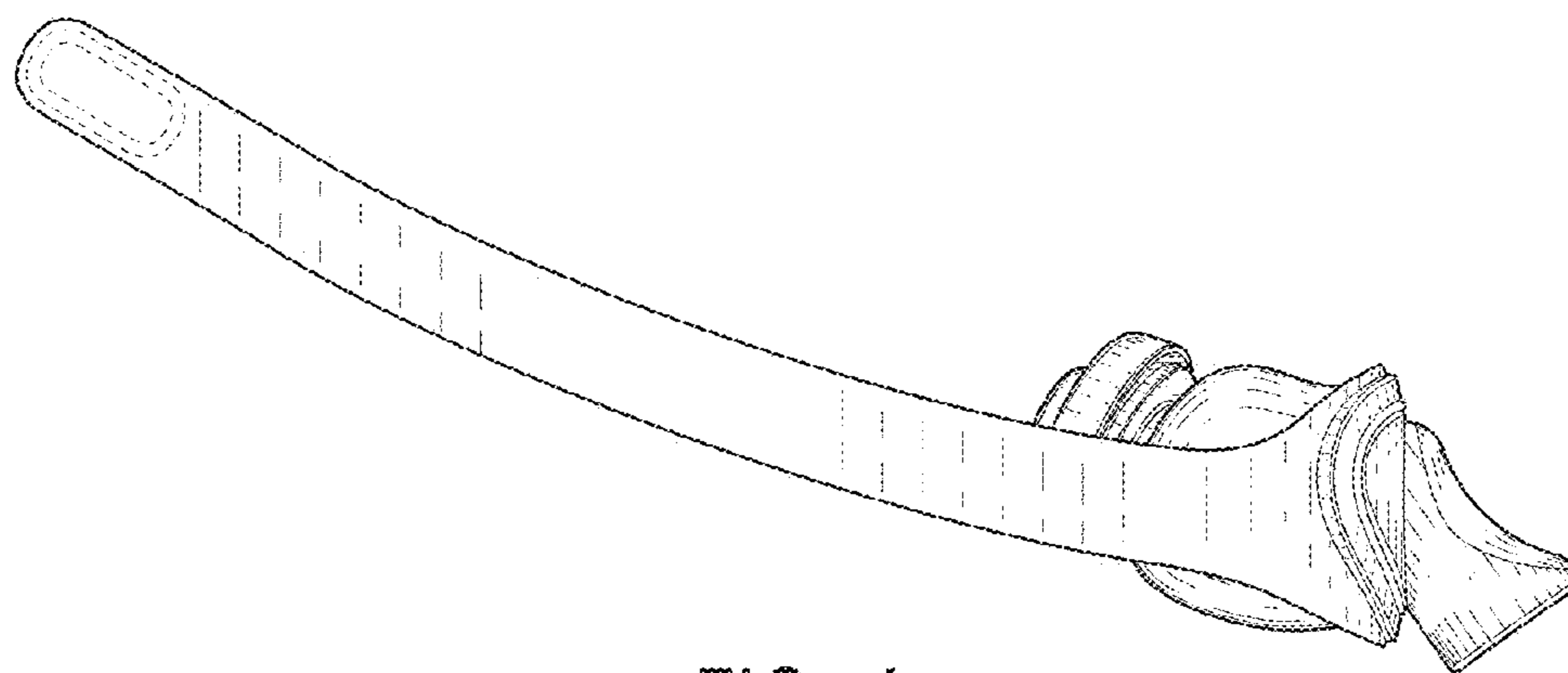


FIG. 4

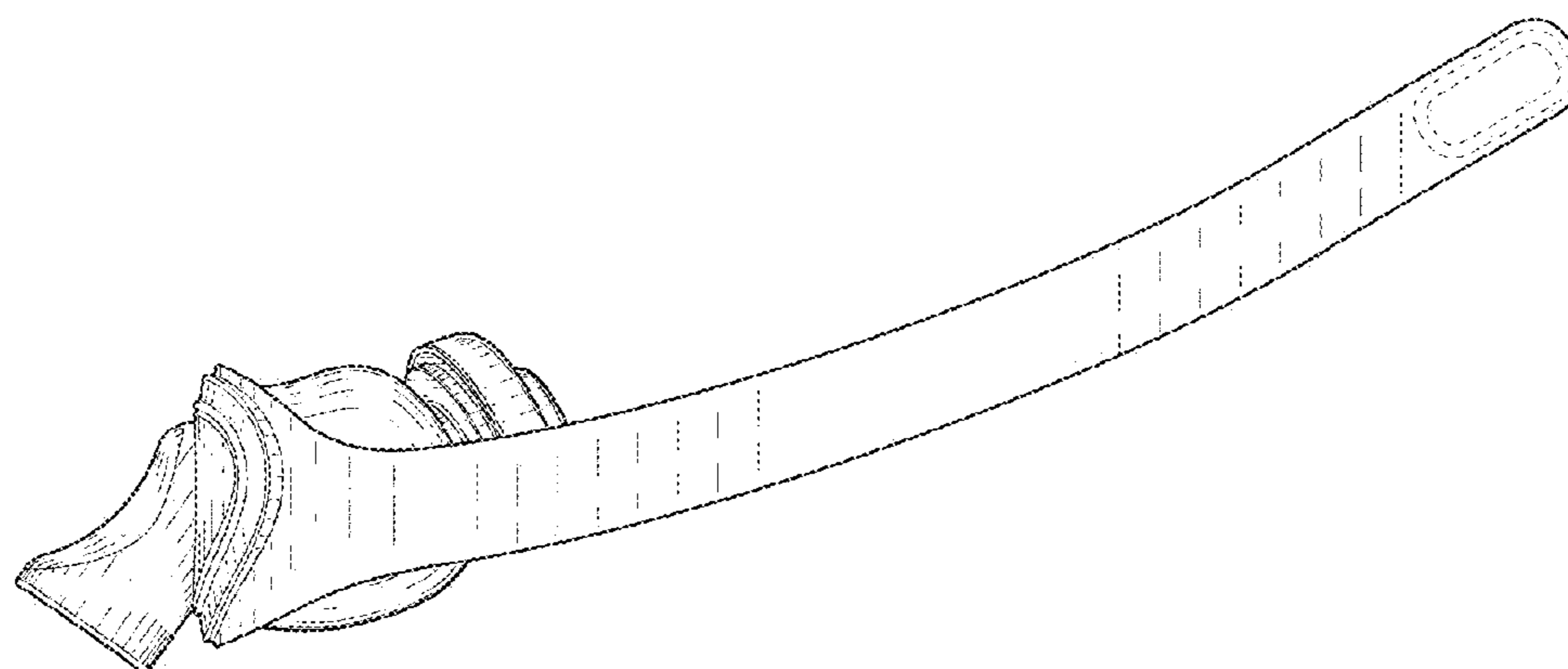


FIG. 5



FIG. 6

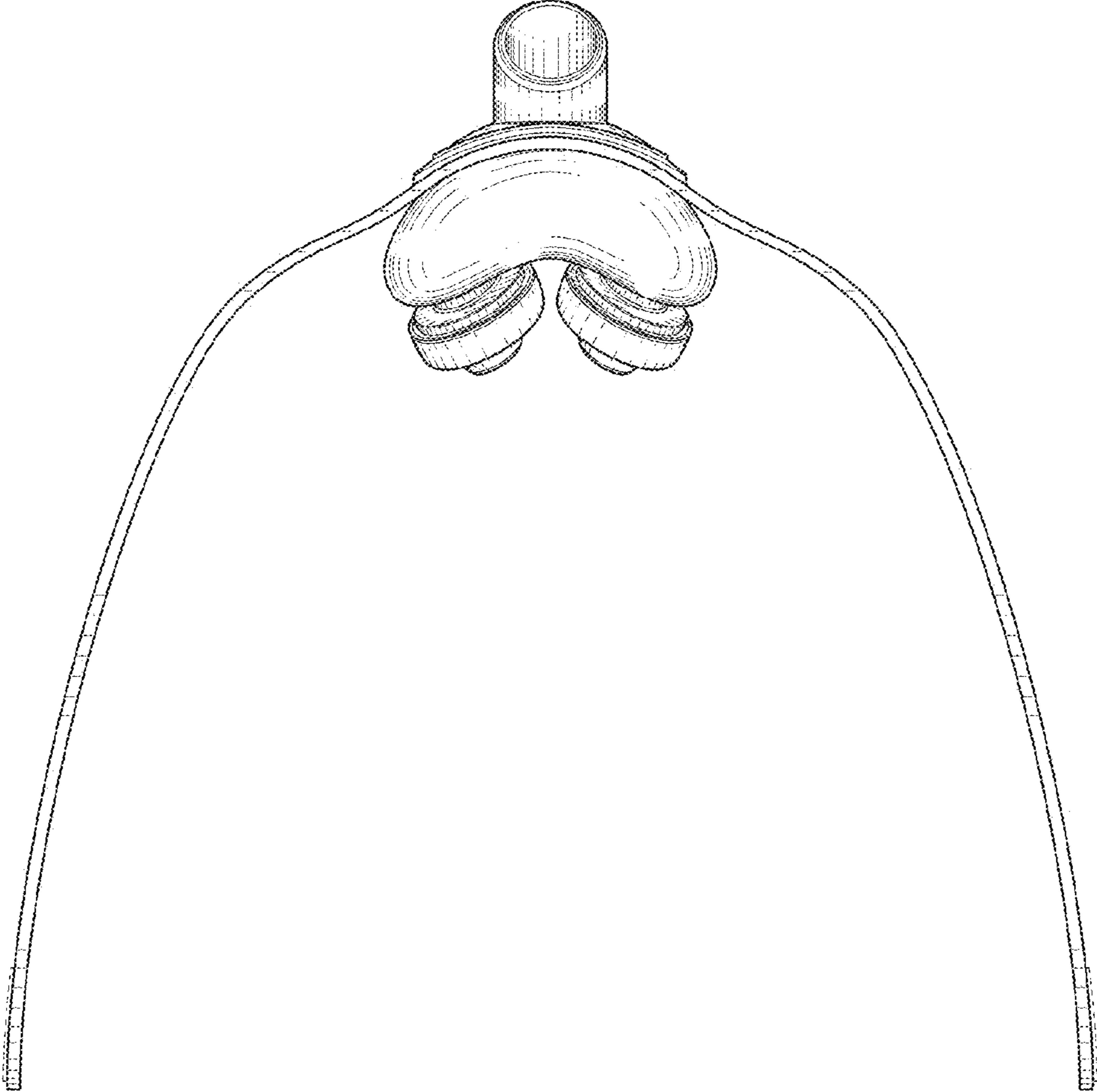


FIG. 7