



US00D747457S

(12) **United States Design Patent**
Glance et al.

(10) **Patent No.:** **US D747,457 S**
(45) **Date of Patent:** **** Jan. 12, 2016**

- (54) **INFUSION SET NEEDLE GUARD**
- (71) Applicant: **Becton, Dickinson and Company**,
Franklin Lakes, NJ (US)
- (72) Inventors: **Benjamin Glance**, Dunbarton, NH (US);
Ronald Marsh, Hackettstown, NJ (US);
Stephen Richards, Holdrege, NE (US);
Victor Politis, Framingham, MA (US);
Joshua Horvath, Sparta, NJ (US);
James Sullivan, Shrewsbury, MA (US);
Ryan Lambert, Berkeley, CA (US);
Gregory Venditto, Goshen, NY (US)
- (73) Assignee: **Becton, Dickinson and Company**,
Franklin Lakes, NJ (US)
- (**) Term: **14 Years**
- (21) Appl. No.: **29/457,623**
- (22) Filed: **Jun. 11, 2013**

Related U.S. Application Data

- (63) Continuation-in-part of application No.
PCT/US2012/068632, filed on Dec. 7, 2012, and a
continuation-in-part of application No.
PCT/US2012/068604, filed on Dec. 7, 2012.
- (51) **LOC (10) Cl.** **24-01**
- (52) **U.S. Cl.**
USPC **D24/108; D24/111**
- (58) **Field of Classification Search**
USPC D24/111, 107, 112, 169; 604/7-9, 19,
604/123-125; 606/44, 147, 223; D11/125,
D11/130, 130.1; D16/242, 244, 245
See application file for complete search history.

(56) **References Cited**

U.S. PATENT DOCUMENTS

- 2,928,633 A * 3/1960 Holmes et al. 47/40.5
- 3,782,671 A * 1/1974 Igwe 248/183.4

- D269,571 S * 7/1983 Geshwind D11/130.1
- 4,781,680 A * 11/1988 Redmond et al. 604/288.02
- 5,137,529 A * 8/1992 Watson et al. 604/891.1
- 5,545,143 A 8/1996 Fischell et al.
- 6,017,328 A 1/2000 Fischell et al.
- D461,891 S * 8/2002 Moberg D24/111
- 6,689,100 B2 * 2/2004 Connelly et al. 604/117

(Continued)

FOREIGN PATENT DOCUMENTS

WO WO-2006062680 A1 6/2006

Primary Examiner — Wan Laymon

Assistant Examiner — Mark Booker

(74) *Attorney, Agent, or Firm* — Dickinson Wright PLLC

(57) **CLAIM**

The ornamental design for an infusion set needle guard, as shown and described.

DESCRIPTION

FIG. 1 is a top perspective view of an infusion set needle guard showing our new design;

FIG. 2 is a bottom perspective view of the infusion set needle guard shown in FIG. 1;

FIG. 3 is a top plan view of the infusion set needle guard shown in FIG. 1;

FIG. 4 is a front side elevational view of the infusion set needle guard shown in FIG. 1;

FIG. 5 is a left side elevational view of the infusion set needle guard shown in FIG. 1;

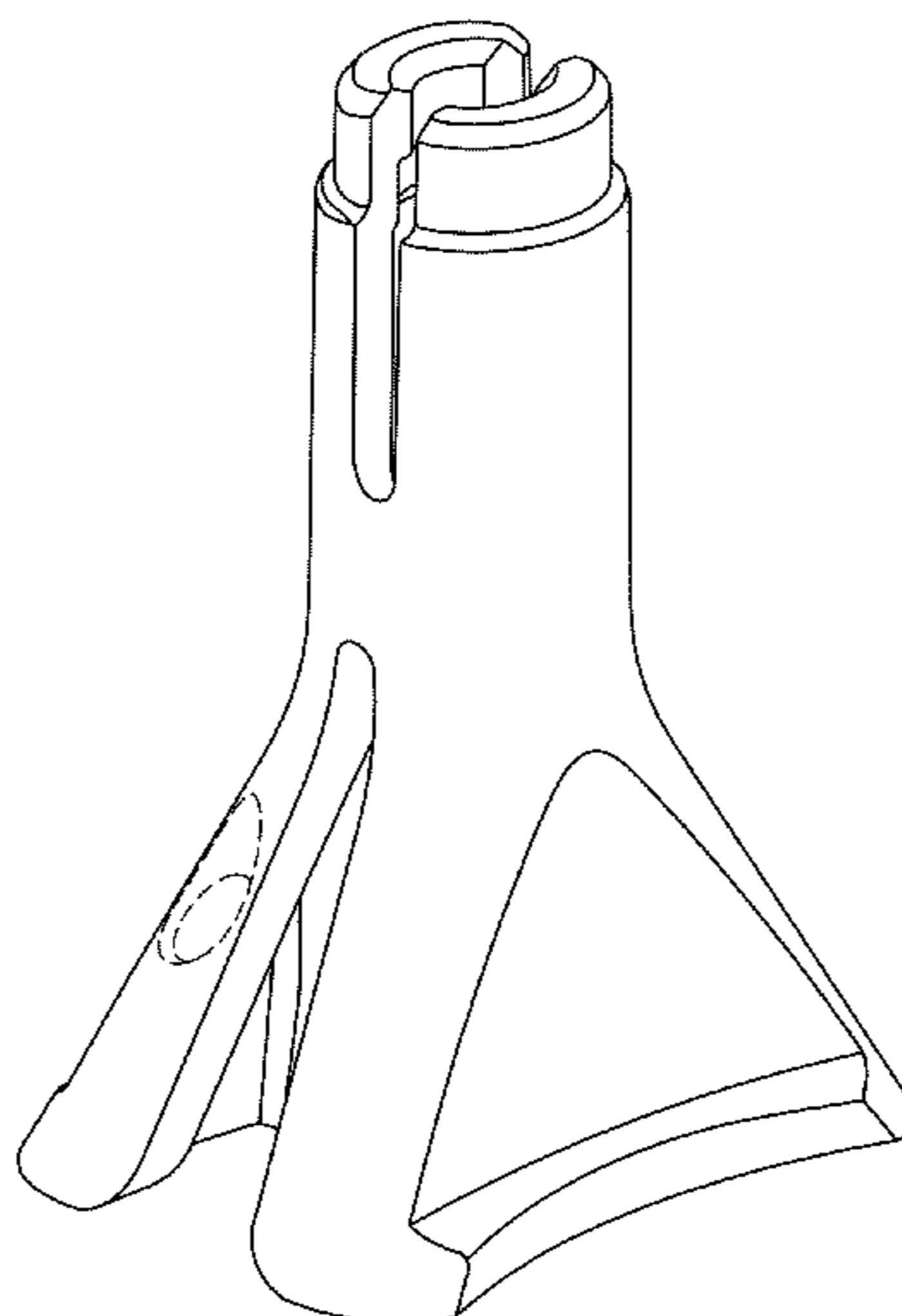
FIG. 6 is a right side elevational view of the infusion set needle guard shown in FIG. 1;

FIG. 7 is a rear elevational view of the infusion set needle guard shown in FIG. 1; and,

FIG. 8 is a bottom plan view of the infusion set needle guard shown in FIG. 1.

The ornamental design that is claimed is shown in solid lines in the drawings. The broken lines in the figures represent portions of the infusion set needle guard that form no part of the claimed design.

1 Claim, 5 Drawing Sheets



(56)

References Cited

U.S. PATENT DOCUMENTS

6,702,779	B2 *	3/2004	Connelly et al.	604/93.01	2005/0038378	A1 *	2/2005	Lastovich et al.	604/47
D508,938	S *	8/2005	Murray et al.	D16/244	2007/0088271	A1 *	4/2007	Richards	604/151
D532,436	S *	11/2006	Kruse et al.	D16/244	2007/0191771	A1	8/2007	Moyer	
7,309,326	B2	12/2007	Fangrow et al.		2007/0244448	A1 *	10/2007	Lastovich et al.	604/264
D576,267	S *	9/2008	Mogensen et al.	D24/108	2008/0281297	A1 *	11/2008	Pesach et al.	604/890.1
7,494,481	B2	2/2009	Moberg et al.		2008/0287874	A1 *	11/2008	Elmouelhi	604/154
7,520,867	B2	4/2009	Bowman et al.		2009/0069752	A1 *	3/2009	Raj et al.	604/192
7,731,680	B2 *	6/2010	Patton	604/93.01	2009/0082734	A1 *	3/2009	Walters et al.	604/165.01
D620,491	S *	7/2010	Wu	D14/411	2009/0299289	A1 *	12/2009	Kamen et al.	604/151
7,892,216	B2	2/2011	Fangrow et al.		2011/0313357	A1 *	12/2011	Skutnik et al.	604/151
8,105,279	B2 *	1/2012	Mernoe et al.	604/131	2012/0123344	A1	5/2012	Hornig et al.	
8,152,771	B2	4/2012	Mogensen et al.		2013/0006216	A1 *	1/2013	Taylor et al.	604/506
D659,177	S *	5/2012	Chan	D16/242	2013/0281974	A1 *	10/2013	Kamen et al.	604/506
8,221,361	B2 *	7/2012	Patton	604/244	2014/0039453	A1 *	2/2014	Sonderegger	604/506
8,226,614	B2	7/2012	Turner et al.		2014/0039458	A1 *	2/2014	Constantineau et al.	604/508
D684,685	S *	6/2013	Schneider et al.	D24/111	2014/0058353	A1 *	2/2014	Politis et al.	604/506
D685,083	S *	6/2013	Schneider et al.	D24/108	2014/0074033	A1 *	3/2014	Sonderegger et al. ...	604/167.02
8,469,929	B2 *	6/2013	Hunn et al.	604/164.01	2014/0074037	A1 *	3/2014	Bornhoft	604/180
8,551,047	B2	10/2013	Burns et al.		2014/0088509	A1 *	3/2014	Sonderegger et al.	604/157
8,771,227	B2 *	7/2014	Connelly et al.	604/131	2014/0088549	A1 *	3/2014	Cole et al.	604/506
8,801,660	B2 *	8/2014	Hunn et al.	604/93.01	2014/0088550	A1 *	3/2014	Bene et al.	604/506
8,827,957	B2 *	9/2014	Searle et al.	604/131	2014/0100544	A1 *	4/2014	Hwang	604/506
2002/0173774	A1 *	11/2002	Olsen	604/891.1	2014/0135696	A1 *	5/2014	Ruan et al.	604/111
2003/0220610	A1 *	11/2003	Lastovich et al.	604/47	2014/0276416	A1 *	9/2014	Nelson et al.	604/151
					2014/0276576	A1 *	9/2014	Cole et al.	604/506
					2014/0316379	A1 *	10/2014	Sonderegger et al.	604/506

* cited by examiner

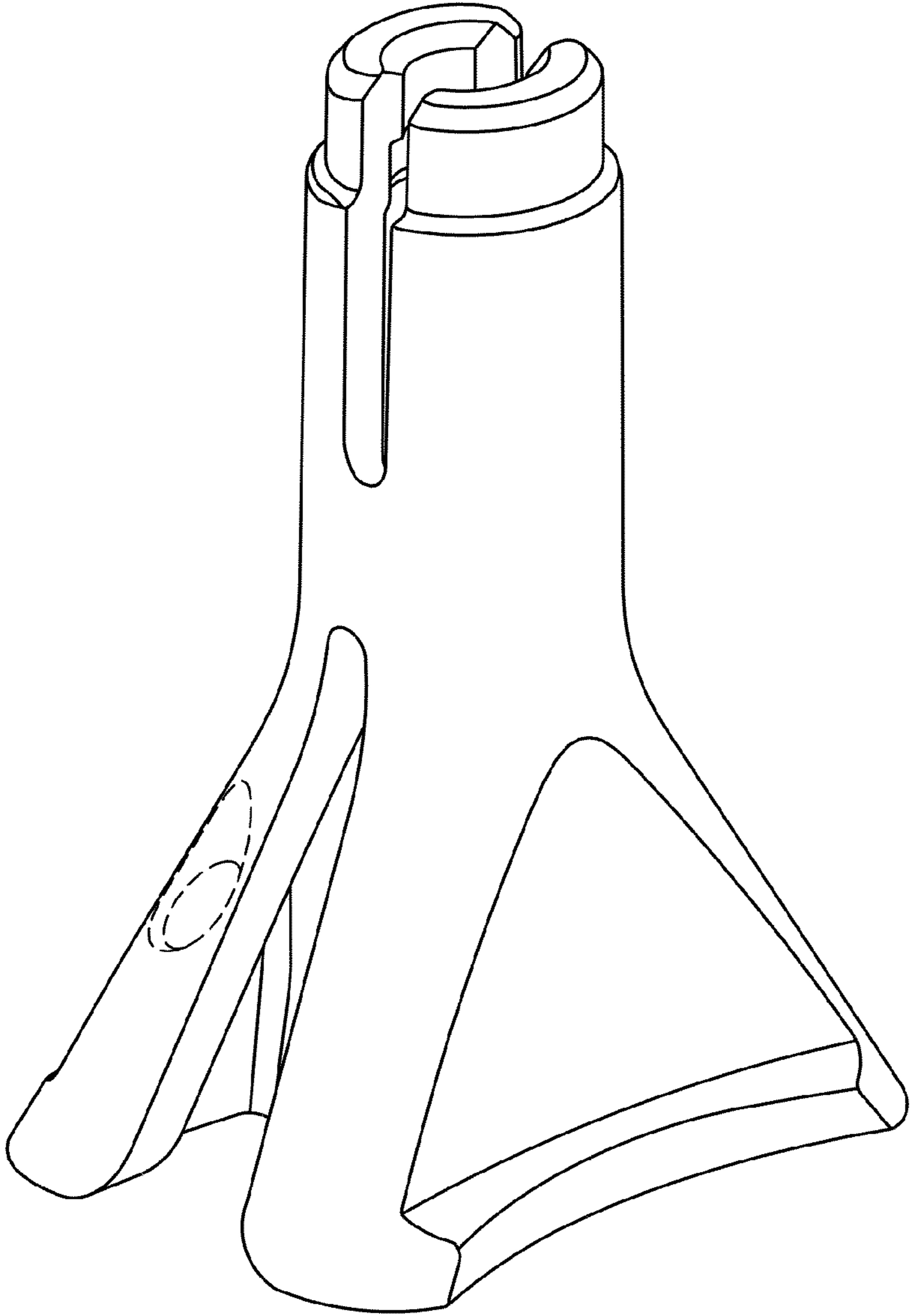


FIG. 1

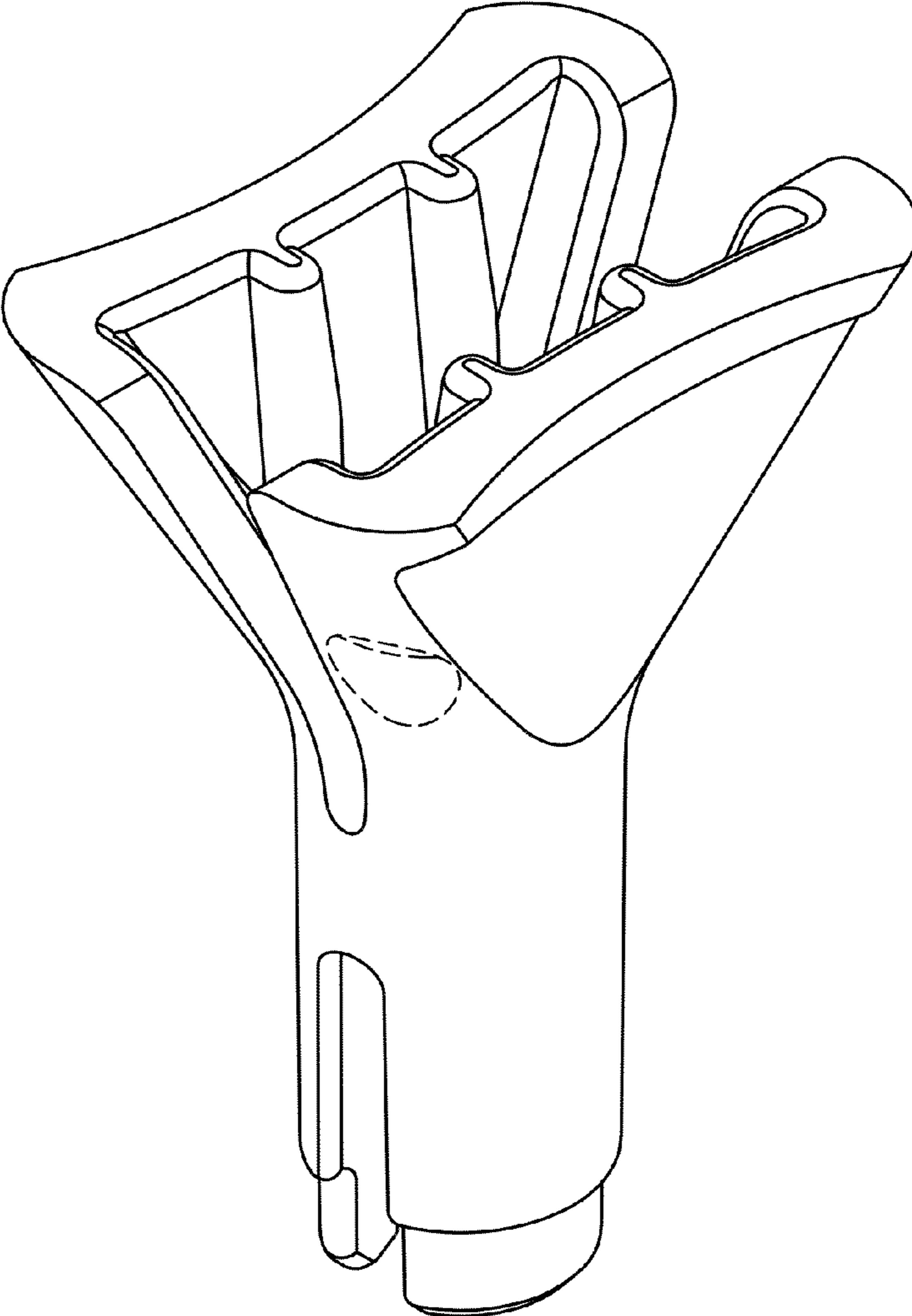


FIG.2

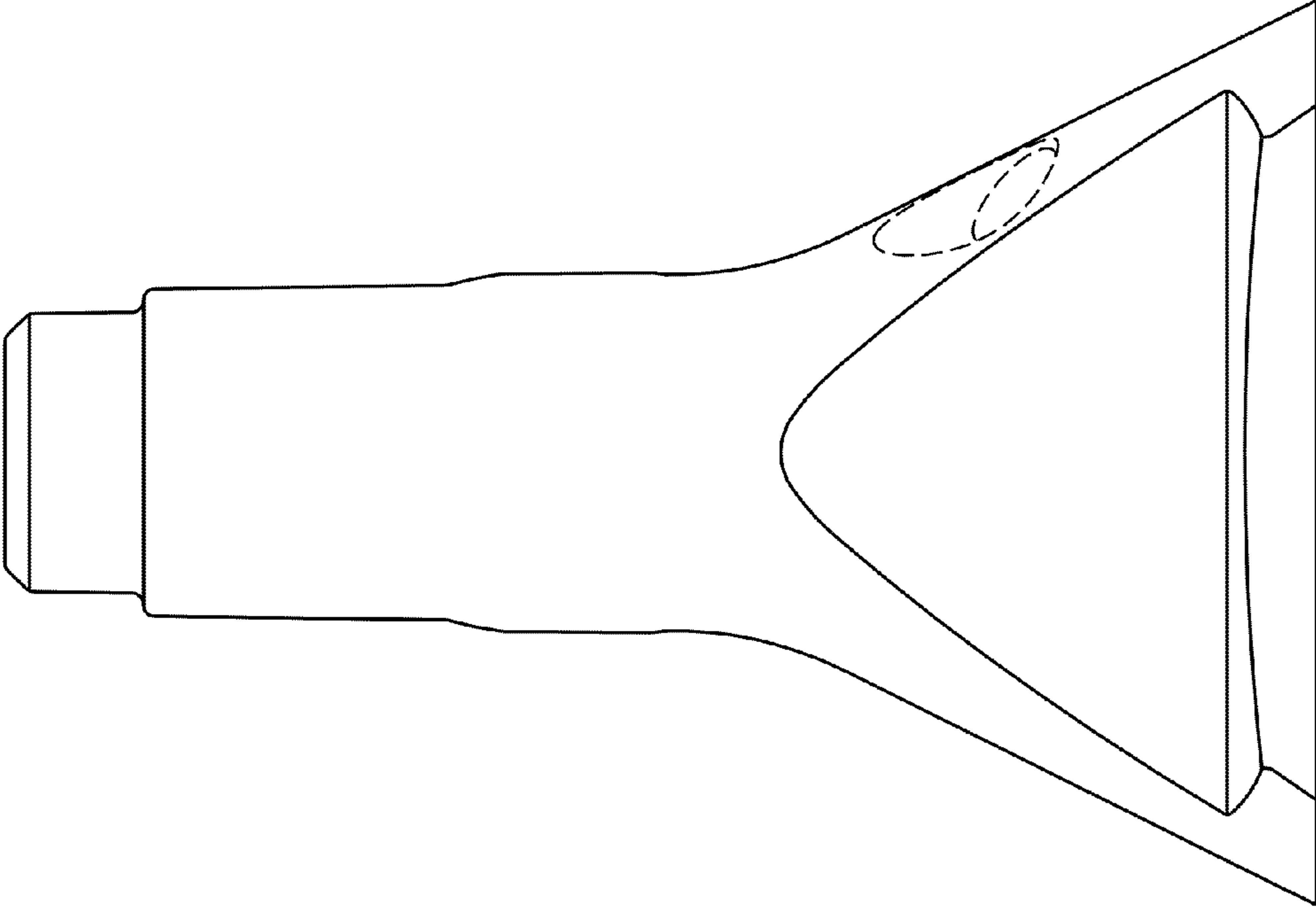


FIG. 4

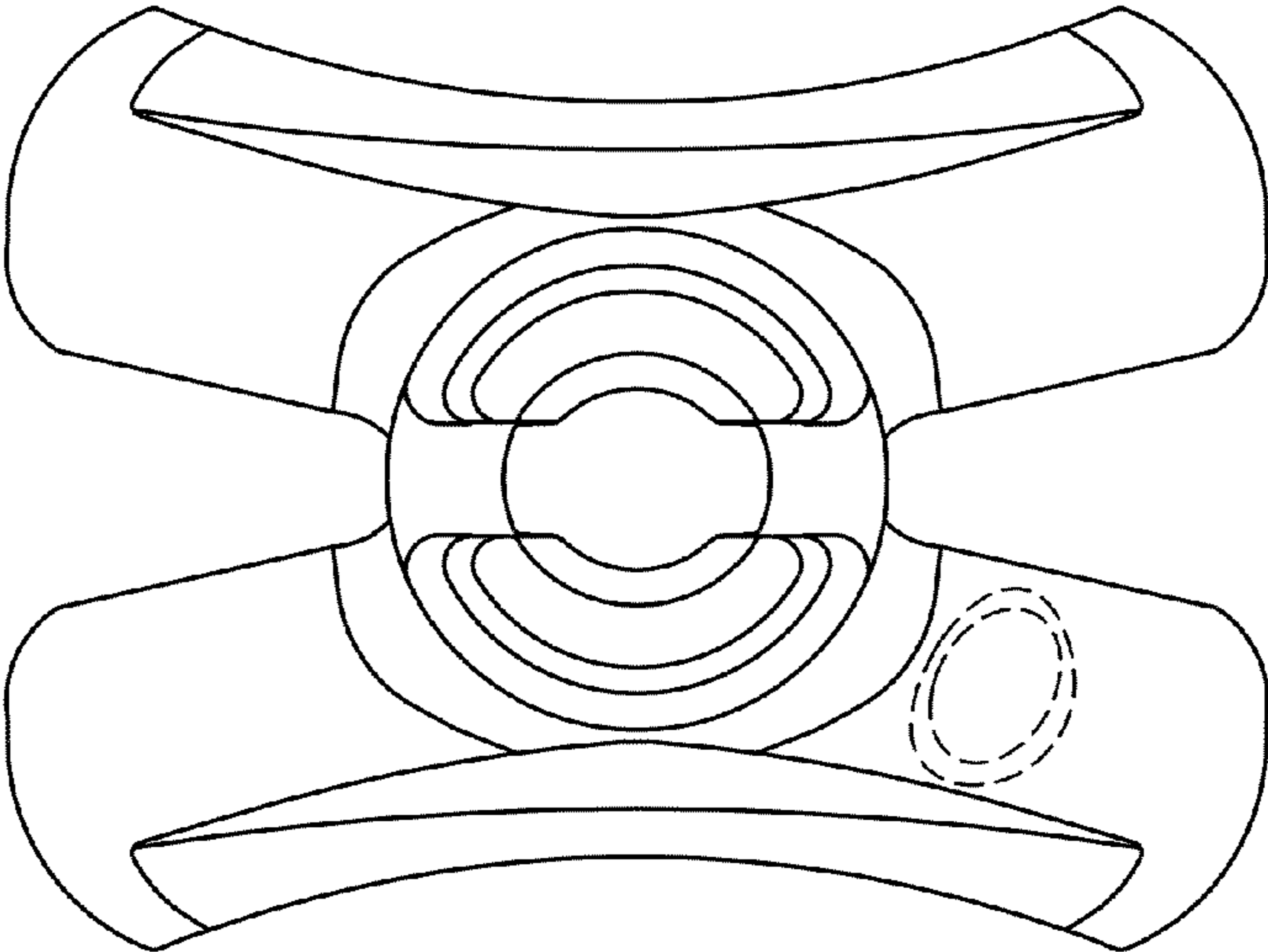


FIG. 3

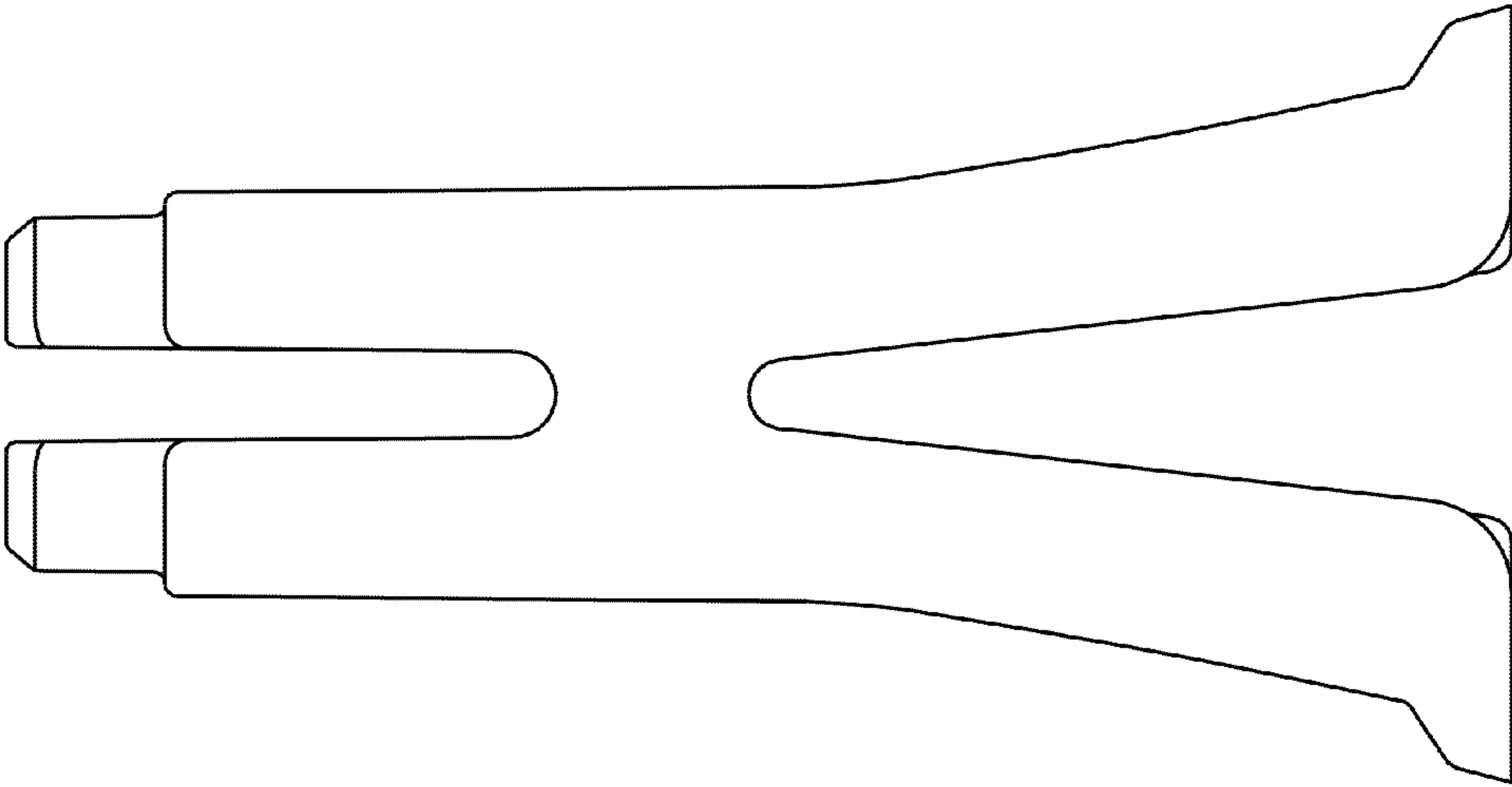


FIG. 6

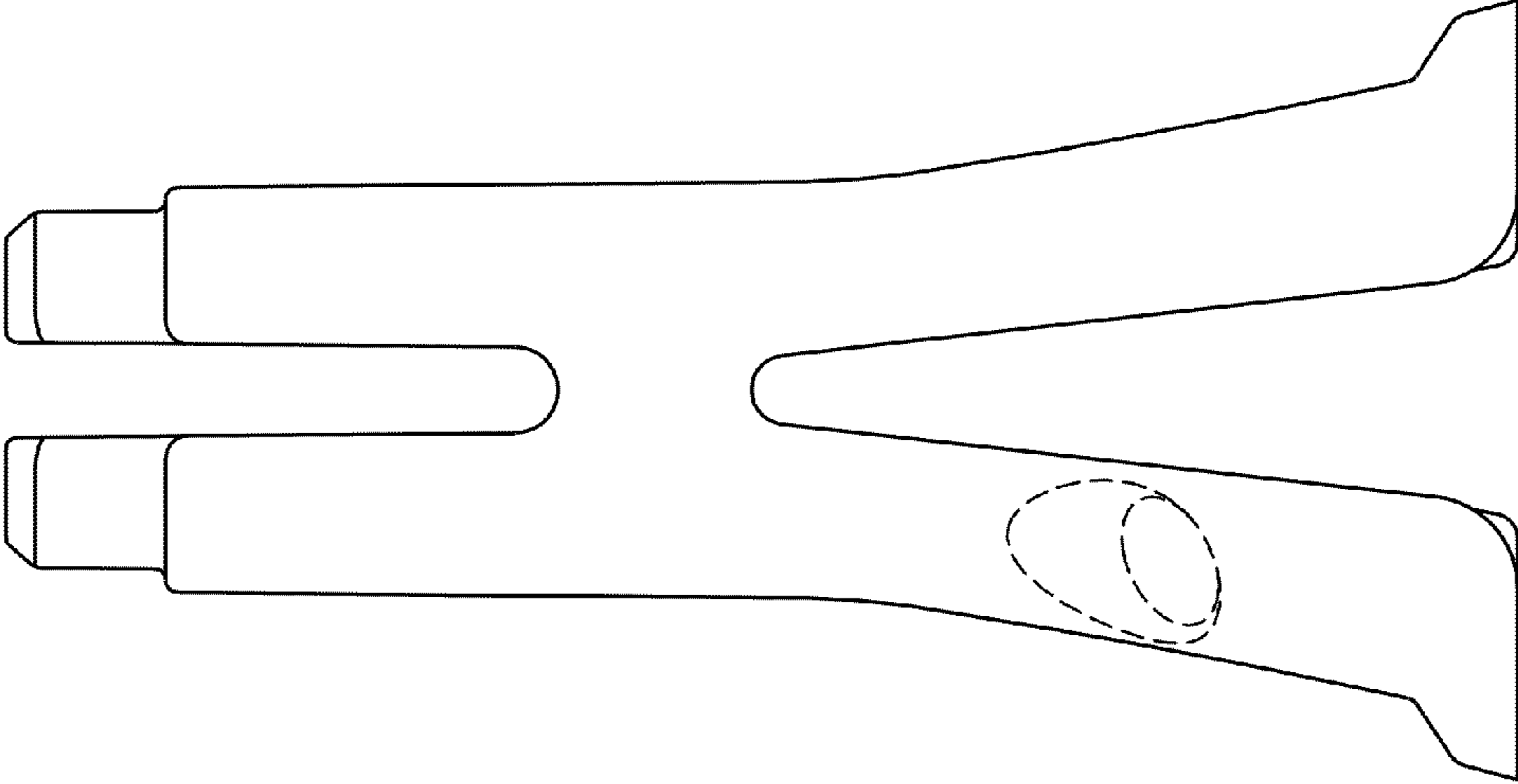


FIG. 5

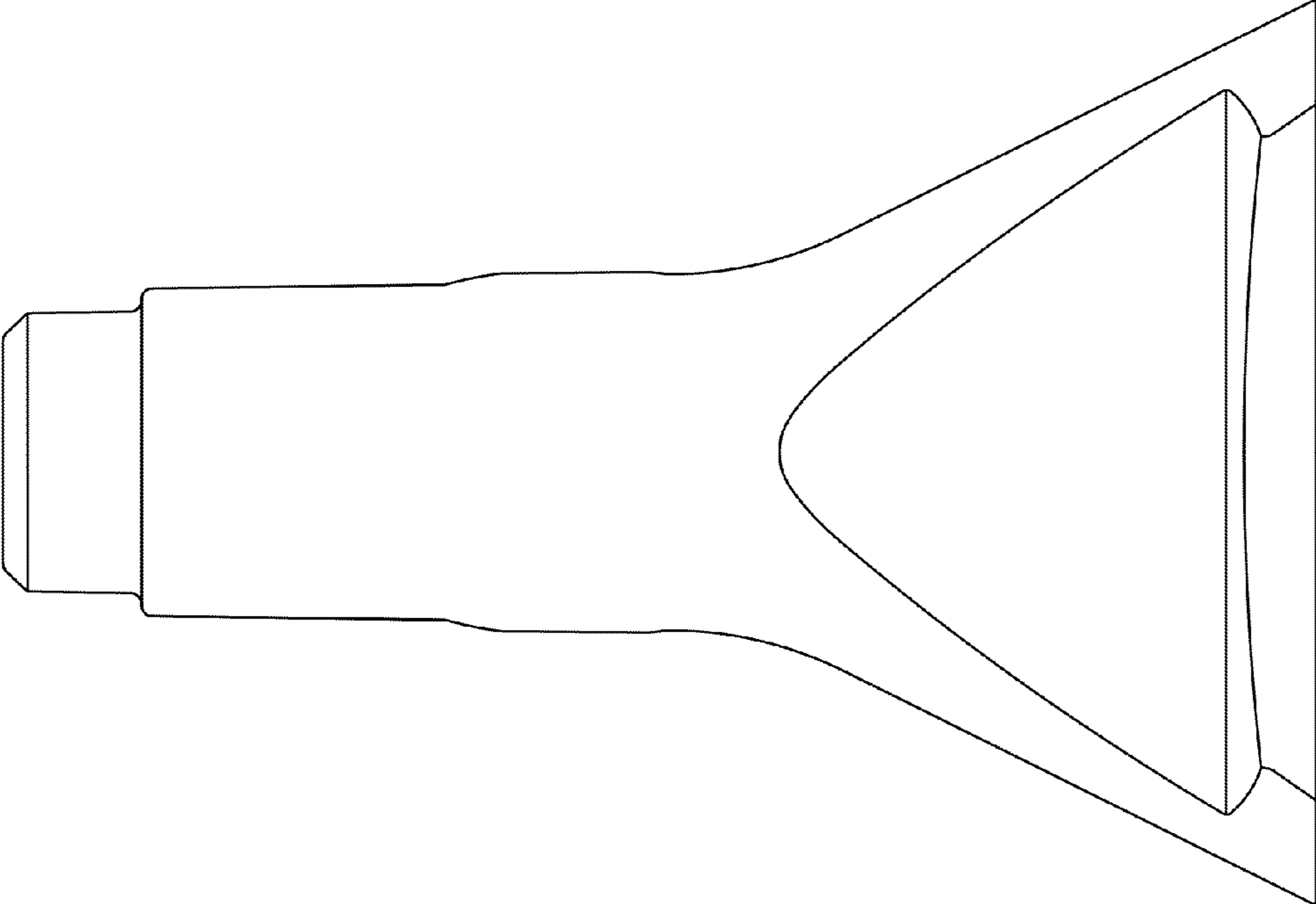


FIG. 7

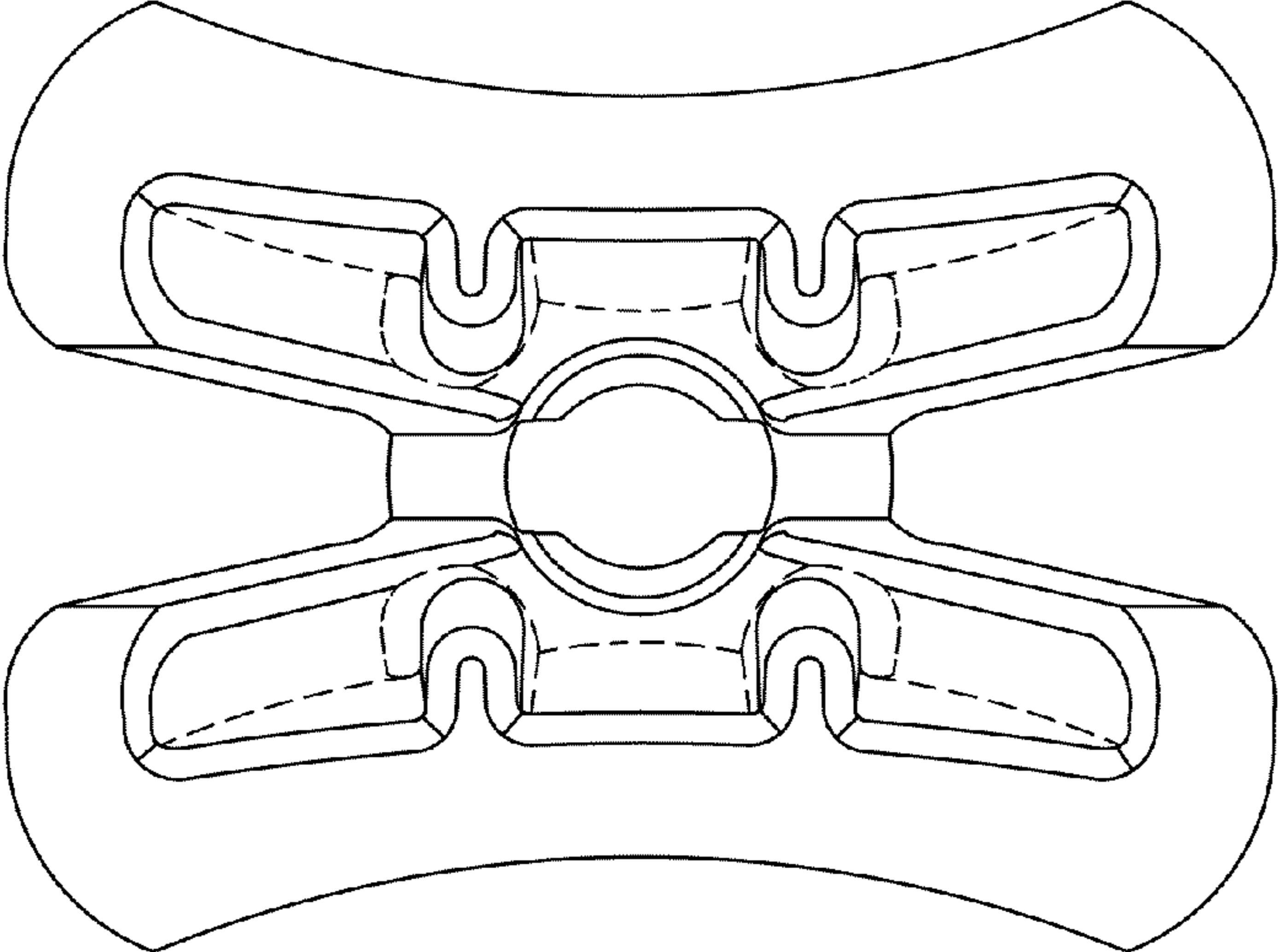


FIG. 8