



US00D747452S

(12) **United States Design Patent**
Gajewski

(10) **Patent No.:** **US D747,452 S**

(45) **Date of Patent:** **** *Jan. 12, 2016**

(54) **CEILING FAN**

(71) Applicant: **Minka Lighting, Inc.**, Corona, CA (US)

(72) Inventor: **Mark Gajewski**, Avila Beach, CA (US)

(73) Assignee: **MINKA LIGHTING, INC.**, Corona, CA (US)

(*) Notice: This patent is subject to a terminal disclaimer.

(**) Term: **14 Years**

(21) Appl. No.: **29/449,673**

(22) Filed: **Mar. 15, 2013**

(51) **LOC (10) Cl.** **23-04**

(52) **U.S. Cl.**
USPC **D23/377**

(58) **Field of Classification Search**
USPC D23/377, 370-376, 378-394, 411-414,
D23/499; D26/59; 416/5, 170 R, 214 R, 184,
416/206, 207, 210 R, 220 R, 244 R, 248;
417/423.1; 392/364
CPC F04D 25/088
See application file for complete search history.

(56) **References Cited**

U.S. PATENT DOCUMENTS

D90,062 S *	6/1933	Dasher	D23/378
D90,063 S *	6/1933	Dasher	D23/377
D141,589 S *	6/1945	Logsdon	D23/413
D268,521 S *	4/1983	Clemente	D23/379
5,028,206 A *	7/1991	Kendregan et al.	416/5
D334,232 S *	3/1993	Searle	D23/377
D345,790 S *	4/1994	Caldwell	D23/377
5,330,323 A *	7/1994	Swanson	416/219 A
D351,020 S *	9/1994	Arnold	D23/377
D417,495 S *	12/1999	Yang	D23/377
6,171,060 B1 *	1/2001	Gajewski	416/244 R
6,250,886 B1 *	6/2001	Immell et al.	416/214 R

7,210,910 B1 *	5/2007	Parker et	416/243
D576,265 S *	9/2008	Bucher et al.	D23/377
D590,489 S *	4/2009	Bucher et al.	D23/377
D613,847 S *	4/2010	Shurtleff	D23/411
D676,952 S *	2/2013	Hiner	D23/377
D700,984 S *	3/2014	Yang	D26/59
2012/0087796 A1 *	4/2012	McMahon	416/210 R

OTHER PUBLICATIONS

Design for Giulio Gianturco fan found at <http://www.giuliofanturco.com/works/air/> (Dec. 2014).

* cited by examiner

Primary Examiner — Susan Bennett Hattan

Assistant Examiner — Marie Fast Horse

(74) *Attorney, Agent, or Firm* — Baker & McKenzie LLP

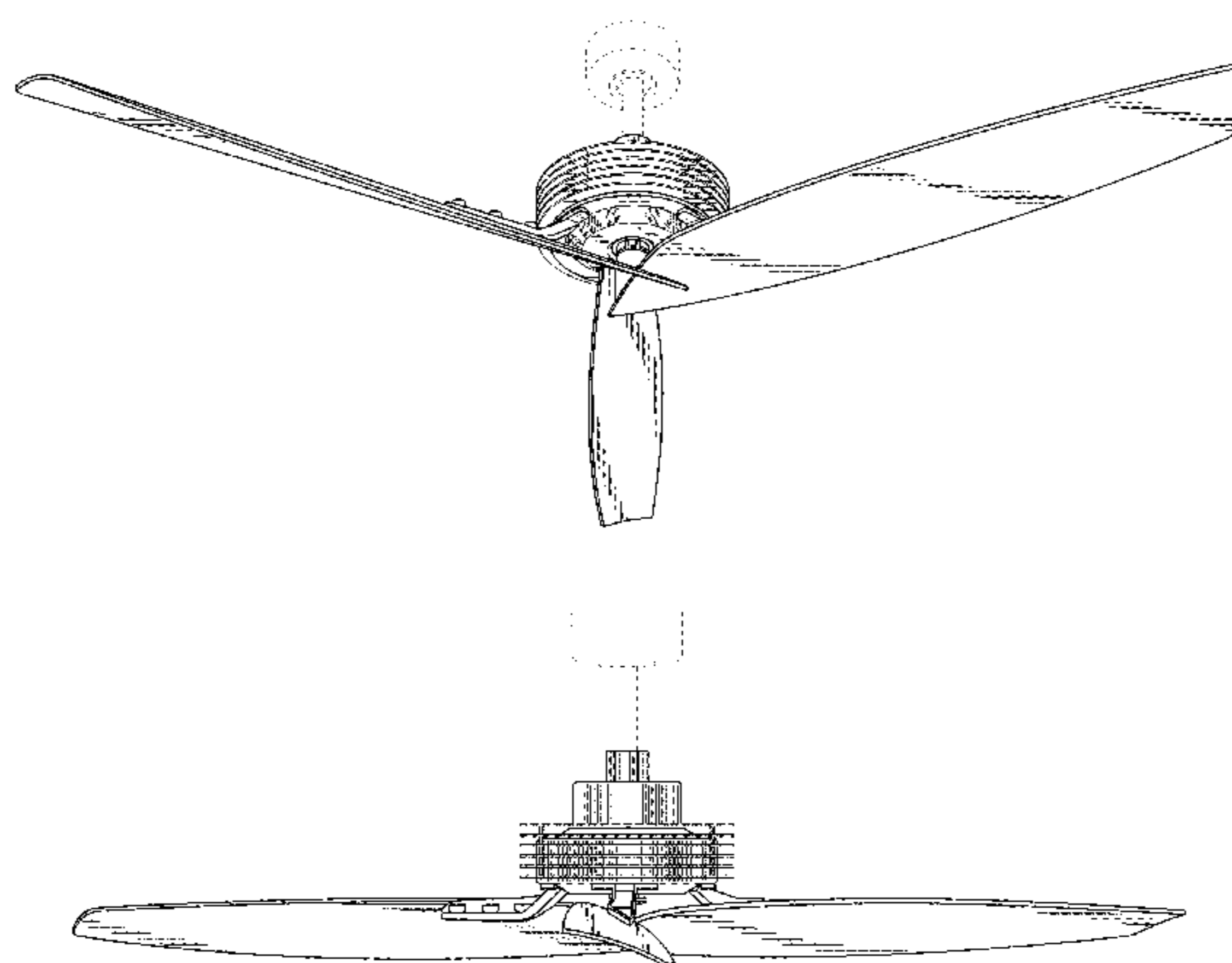
(57) **CLAIM**

The ornamental design for a ceiling fan, as shown and described.

DESCRIPTION

FIG. 1 is a perspective view of a ceiling fan showing an embodiment in accordance with my design;
FIG. 2 is a top plan view of the ceiling fan in accordance with my design;
FIG. 3 is a bottom plan view of the ceiling fan in accordance with my design;
FIG. 4 is a rear elevation view of the ceiling fan in accordance with my design;
FIG. 5 is a front elevation view of the ceiling fan in accordance with my design;
FIG. 6 is a left-side elevation view of the ceiling fan in accordance with my design; and,
FIG. 7 is a right-side elevation view of the ceiling fan in accordance with my design.
The broken lines showing the environmental structure are for illustrative purposes and form no part of the claimed design.

1 Claim, 5 Drawing Sheets



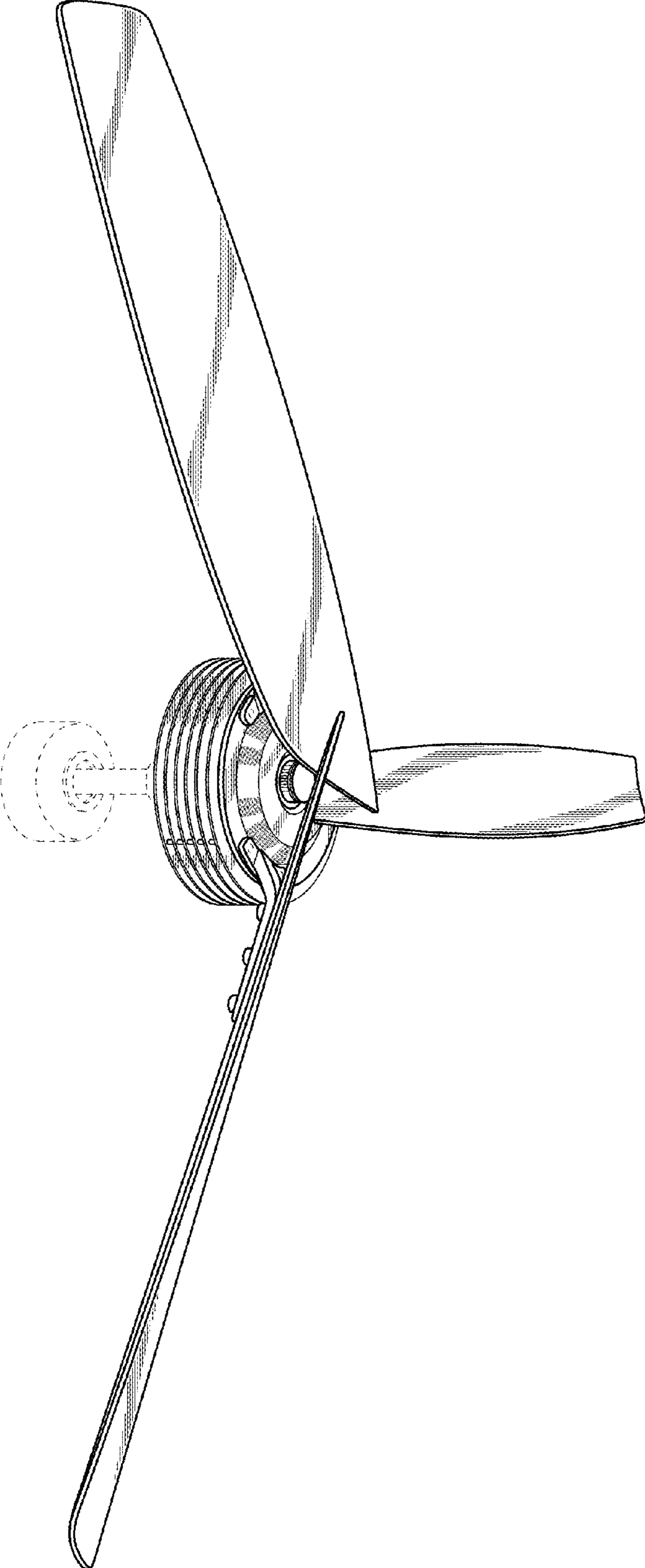


Fig.1

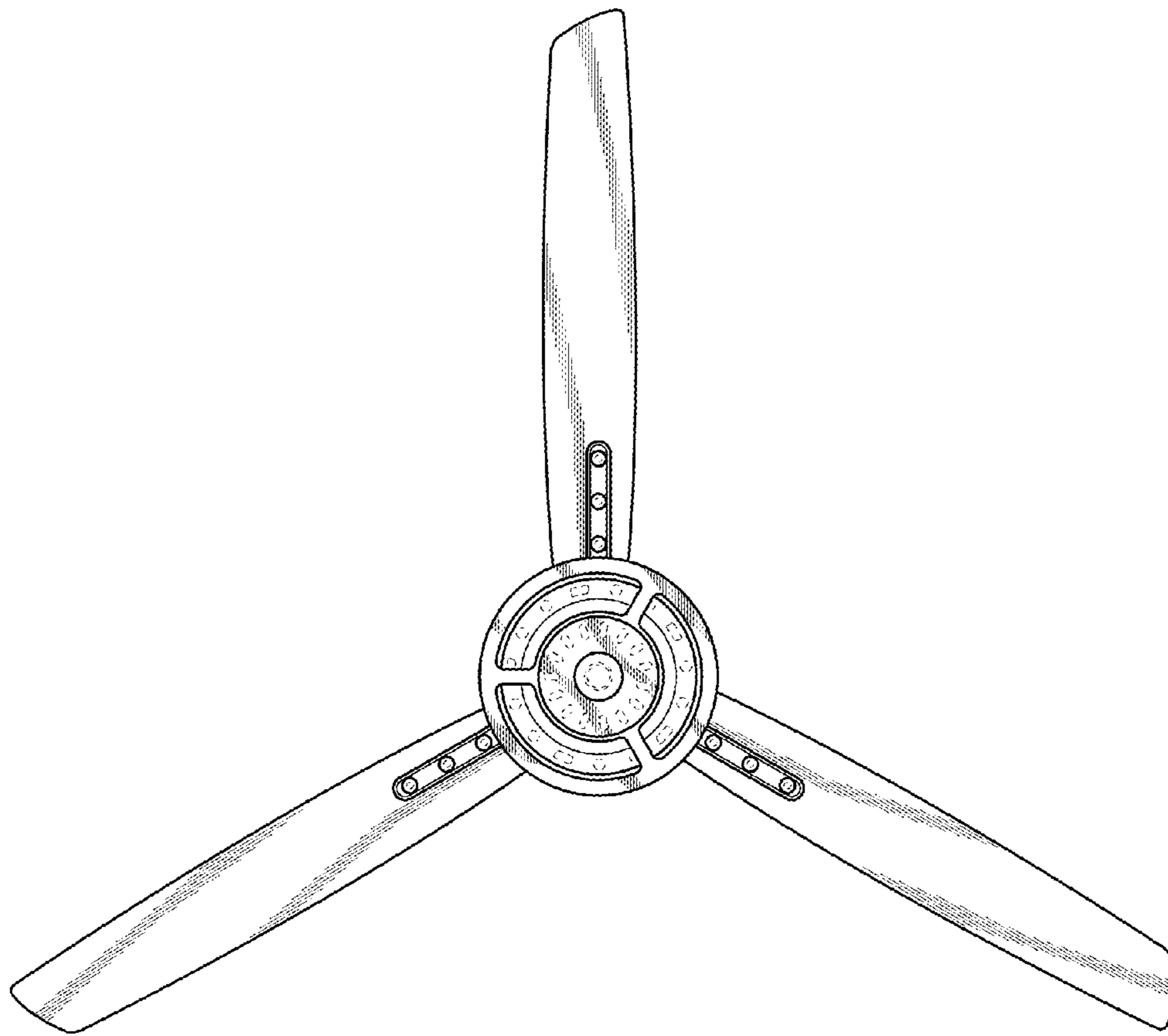


Fig.2

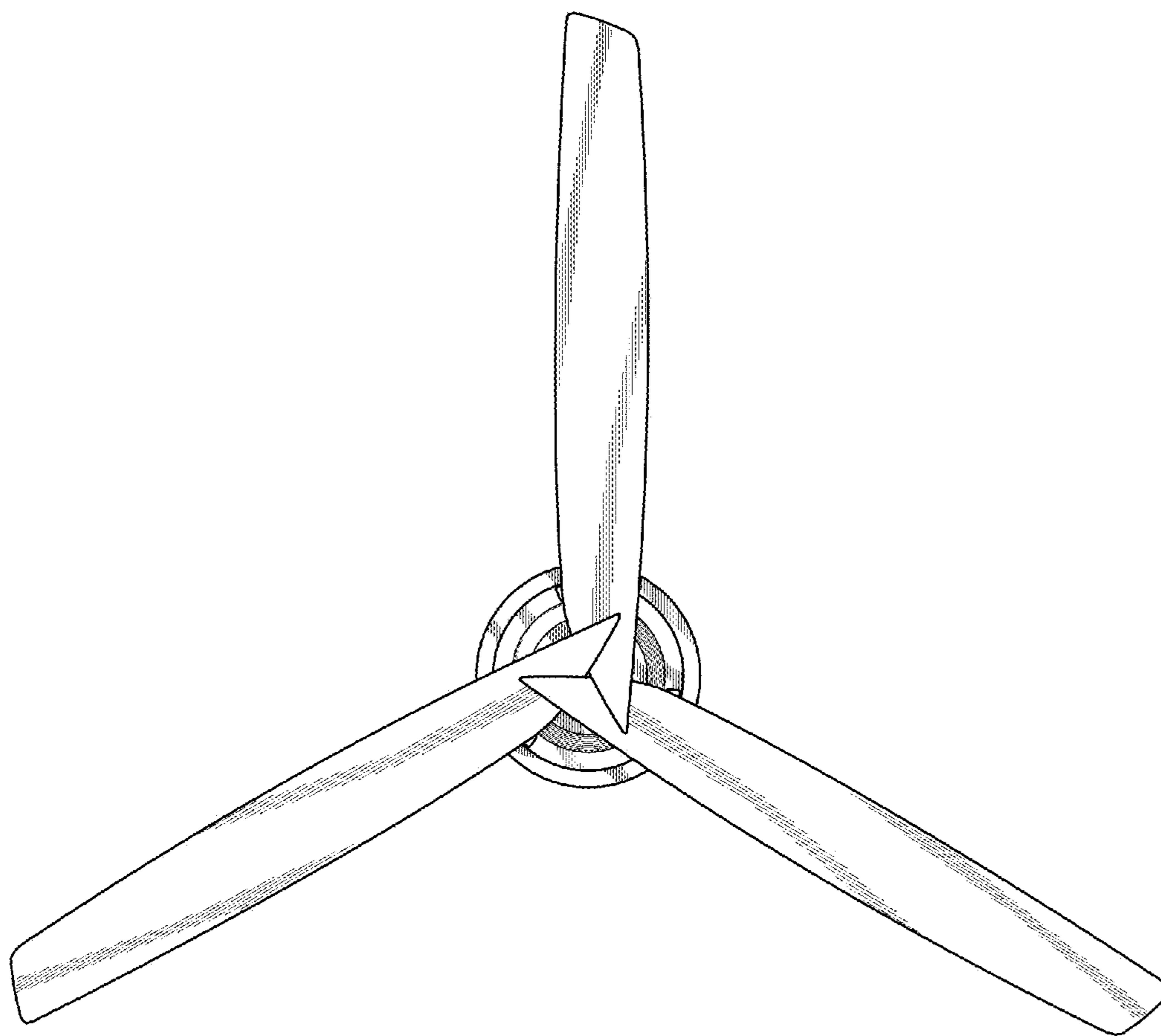


Fig. 3

