



US00D747448S

(12) **United States Design Patent**
Ahola et al.

(10) **Patent No.:** **US D747,448 S**
(45) **Date of Patent:** **** Jan. 12, 2016**

- (54) **URINAL**
- (71) Applicant: **Kohler Co.**, Kohler, WI (US)
- (72) Inventors: **Billy Jack Ahola**, Manitowoc, WI (US);
John F. Emmerling, Howards Grove,
WI (US); **Mark E. Baumgartner**,
Sheboygan, WI (US); **Andrew Smith**,
Sheboygan, WI (US); **Tobin J. Vetting**,
Sheboygan Falls, WI (US); **Lawrence**
Duwell, Adell, WI (US); **Peter W.**
Swart, Oostburg, WI (US); **Don**
Bogenschuetz, Sheboygan, WI (US)

- D362,716 S 9/1995 Kolada
- D372,962 S 8/1996 Thomas
- D377,206 S 1/1997 Tani
- D377,207 S 1/1997 Tani
- 5,711,037 A 1/1998 Reichardt
- D395,077 S 6/1998 Nagato
- D405,876 S 2/1999 Thomas
- D420,730 S 2/2000 Thomas
- D424,183 S 5/2000 Chiu
- D431,638 S 10/2000 Chiu
- 6,470,504 B1 10/2002 Neuo
- D475,115 S 5/2003 Ferrer
- D510,133 S 9/2005 Hauflaire et al.
- D618,323 S 6/2010 Ogawa
- D626,638 S 11/2010 Reback et al.
- 7,992,231 B1 8/2011 Schlicksup

(73) Assignee: **KOHLER CO.**, Kohler, WI (US)

Primary Examiner — Robert Delehanty

(**) Term: **14 Years**

(74) *Attorney, Agent, or Firm* — Foley & Lardner LLP

(21) Appl. No.: **29/524,575**

(57) **CLAIM**

I claim the ornamental design for a urinal, as shown and described.

(22) Filed: **Apr. 21, 2015**

Related U.S. Application Data

DESCRIPTION

- (62) Division of application No. 29/501,089, filed on Sep. 1, 2014.
- (51) **LOC (10) Cl.** **23-02**
- (52) **U.S. Cl.**
USPC **D23/302**
- (58) **Field of Classification Search**
USPC D23/302–303, 309; 4/301–305
See application file for complete search history.

FIG. 1 is a perspective view of an embodiment of the claimed design;
 FIG. 2 is a front view of the claimed design of FIG. 1;
 FIG. 3 is a rear view of the claimed design of FIG. 1;
 FIG. 4 is a left side view of the claimed design of FIG. 1;
 FIG. 5 is a right side cross-sectional view of the claimed design of FIG. 1 taken along line 5-5 in FIG. 2;
 FIG. 6 is a top view of the claimed design of FIG. 1; and,
 FIG. 7 is a top cross-sectional view of the claimed design of FIG. 1 taken along line 7-7 in FIG. 2.

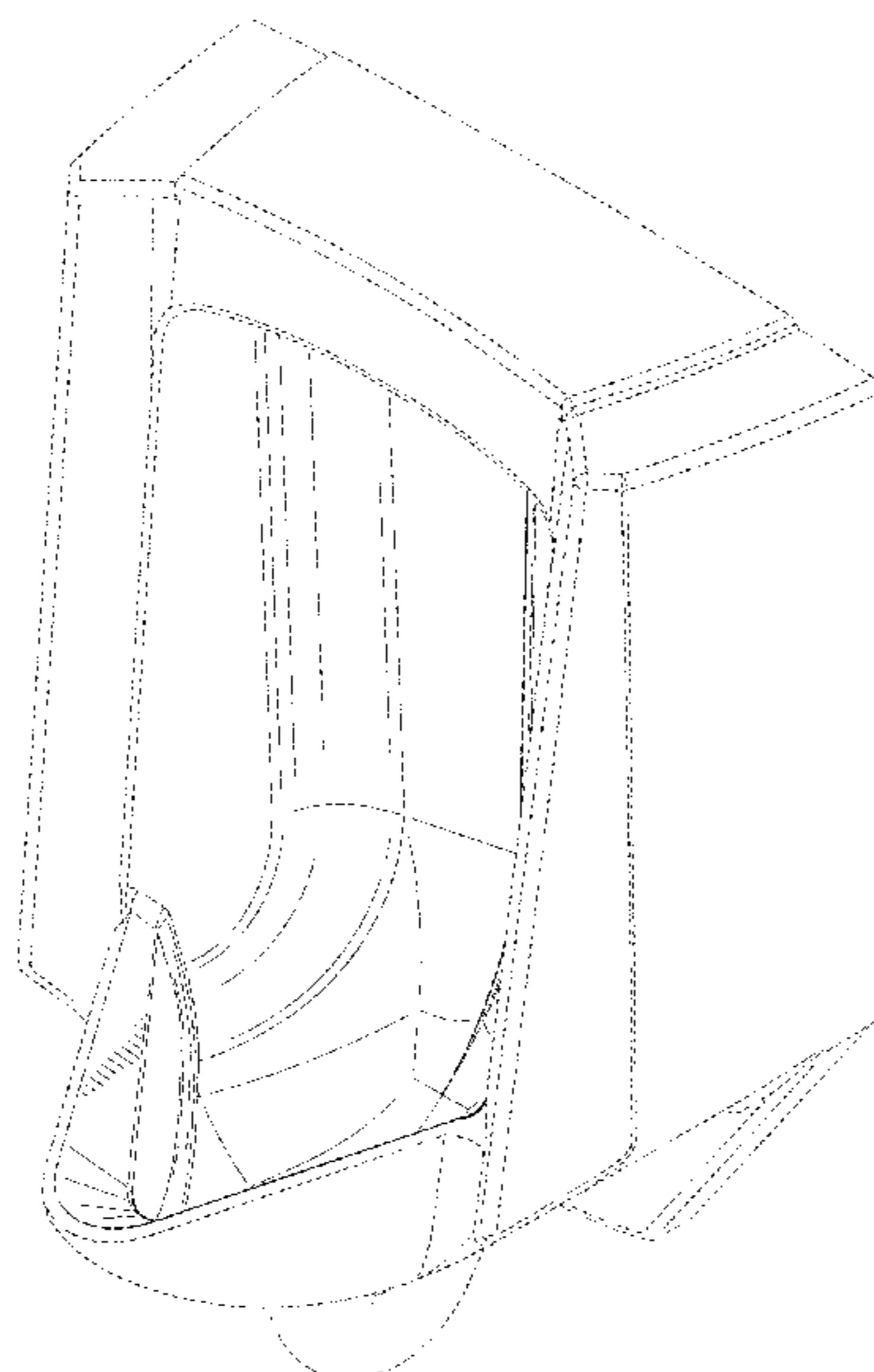
The ornamental design which is claimed is shown in solid lines in the drawings. The broken lines in the drawings are for illustrative purposes only and form no part of the claimed design. For example, broken lines formed by equal length dashes show unclaimed portions of the design.

(56) **References Cited**

U.S. PATENT DOCUMENTS

- 2,431,330 A 11/1947 Johnson
- D294,966 S 3/1988 Kohler et al.
- 5,206,961 A 5/1993 Ruegg
- 5,398,348 A 3/1995 Tashiro et al.
- D360,255 S 7/1995 Nagato

1 Claim, 6 Drawing Sheets



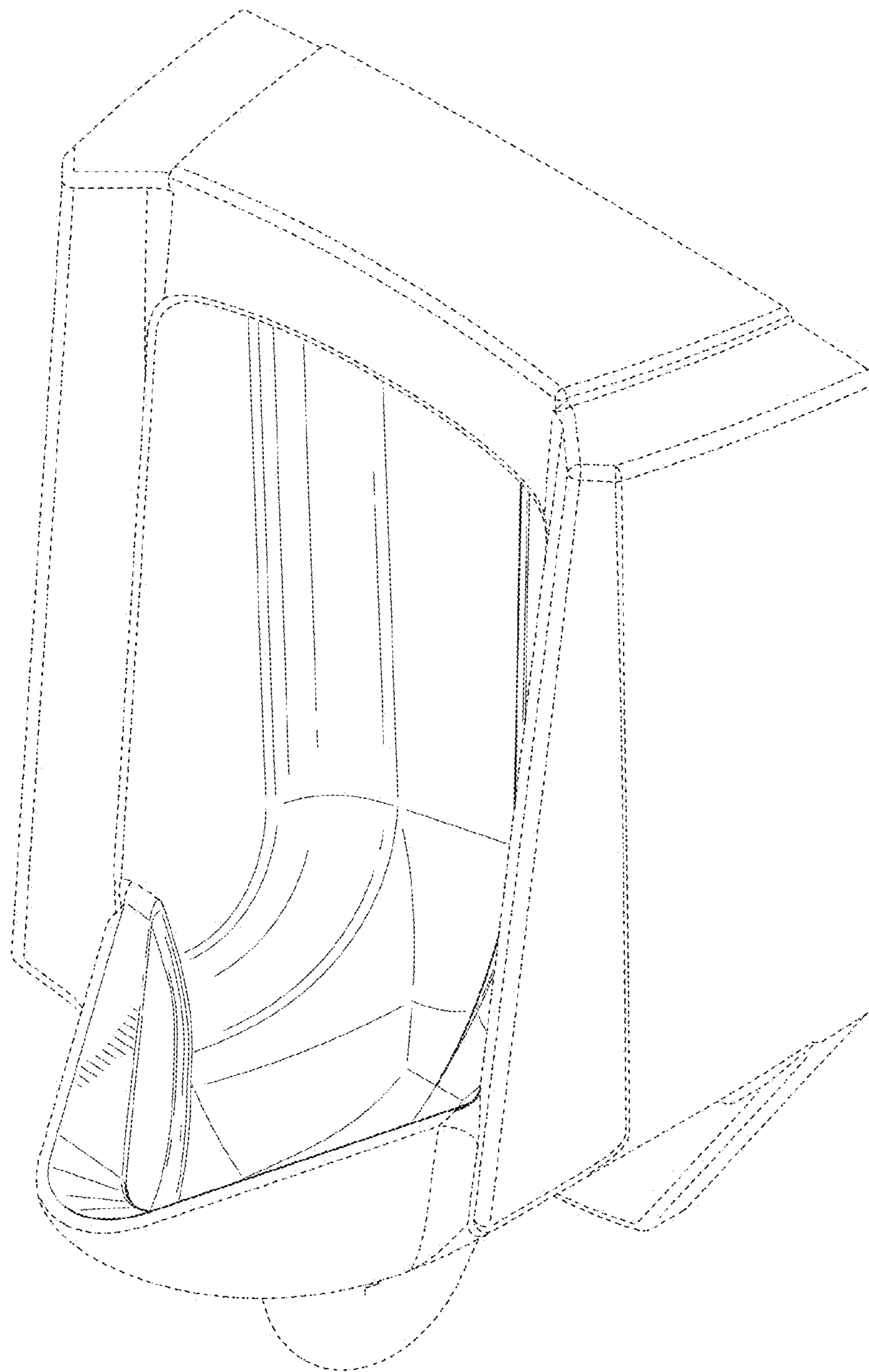


FIG. 1

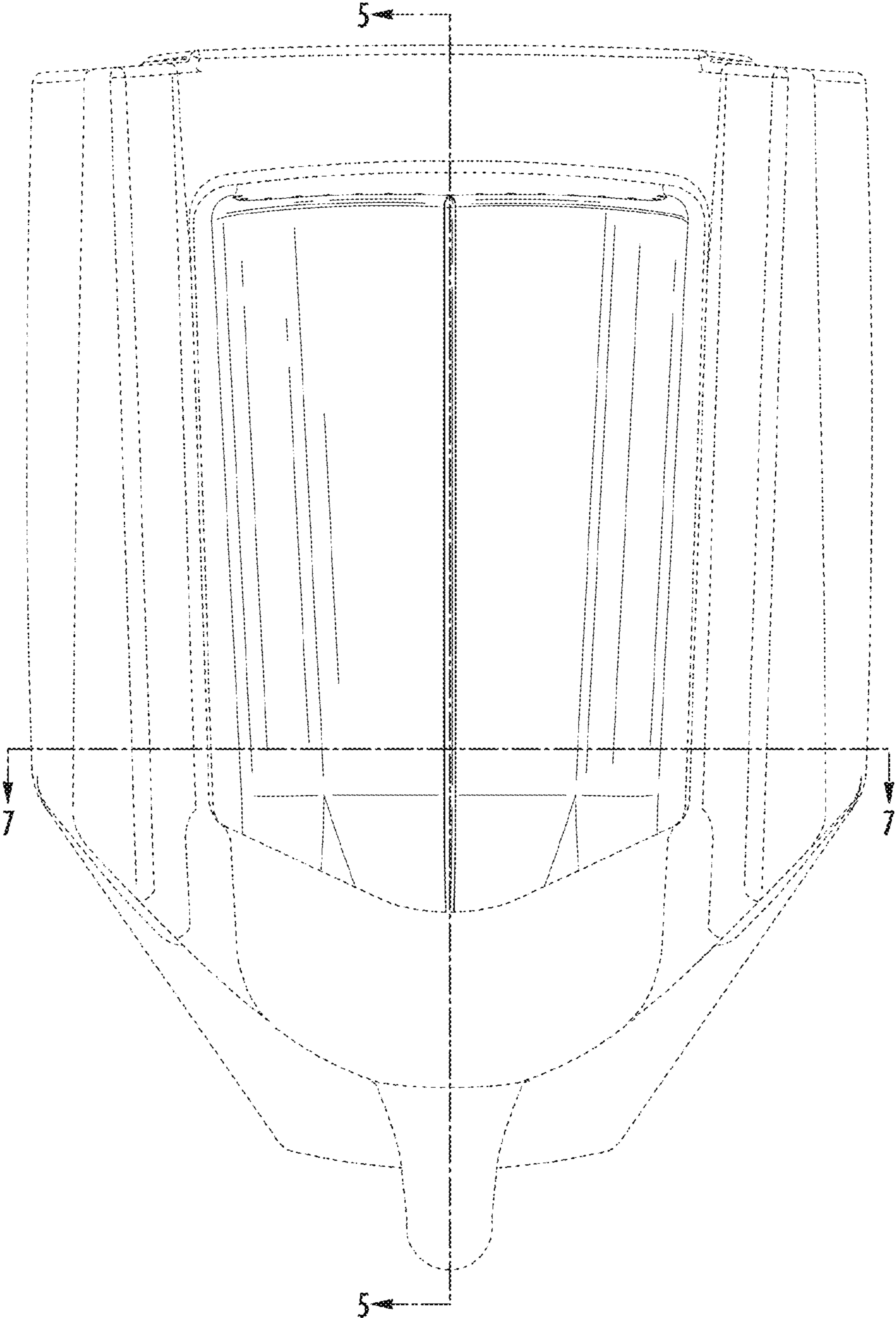


FIG. 2

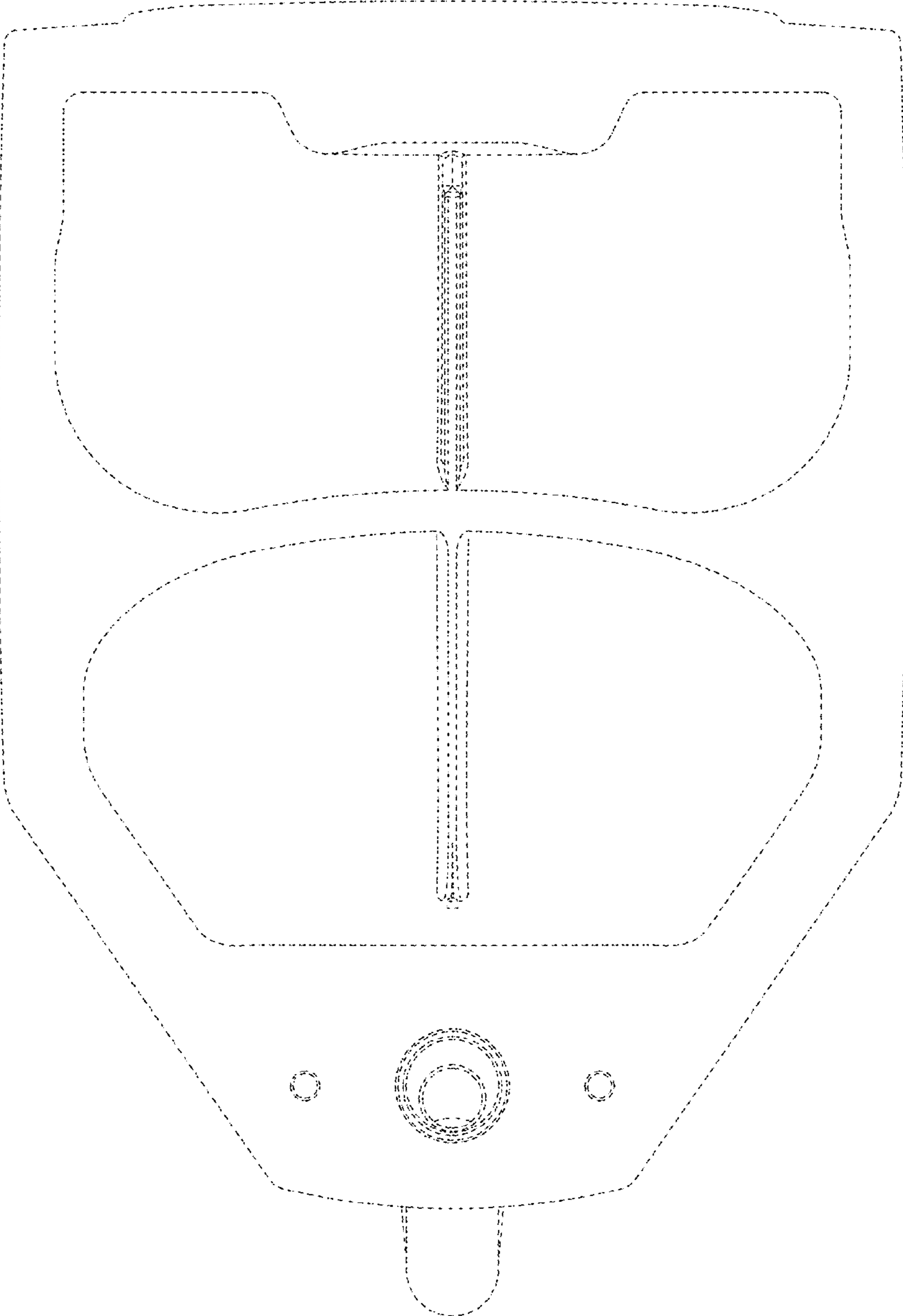


FIG. 3

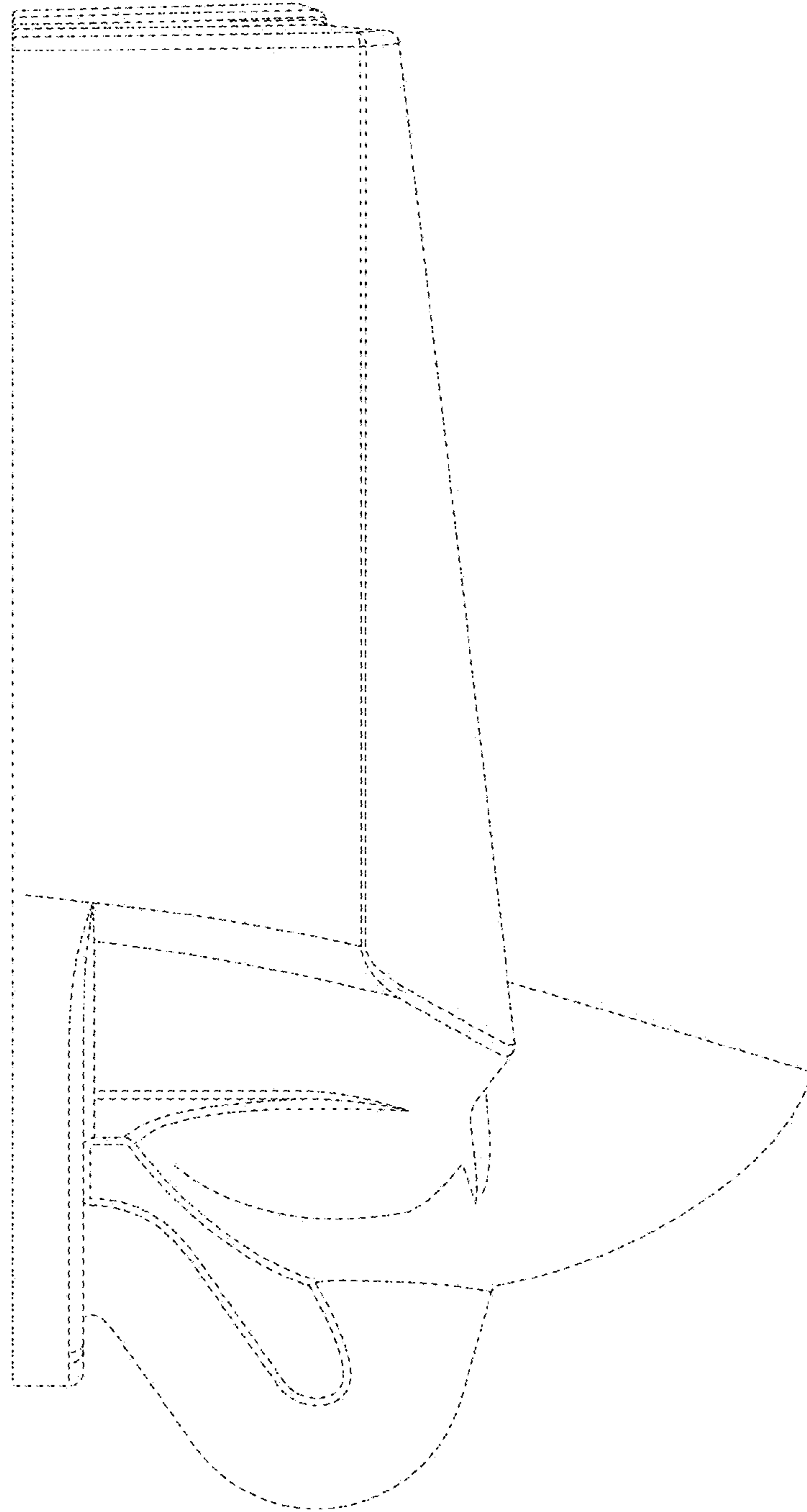


FIG. 4

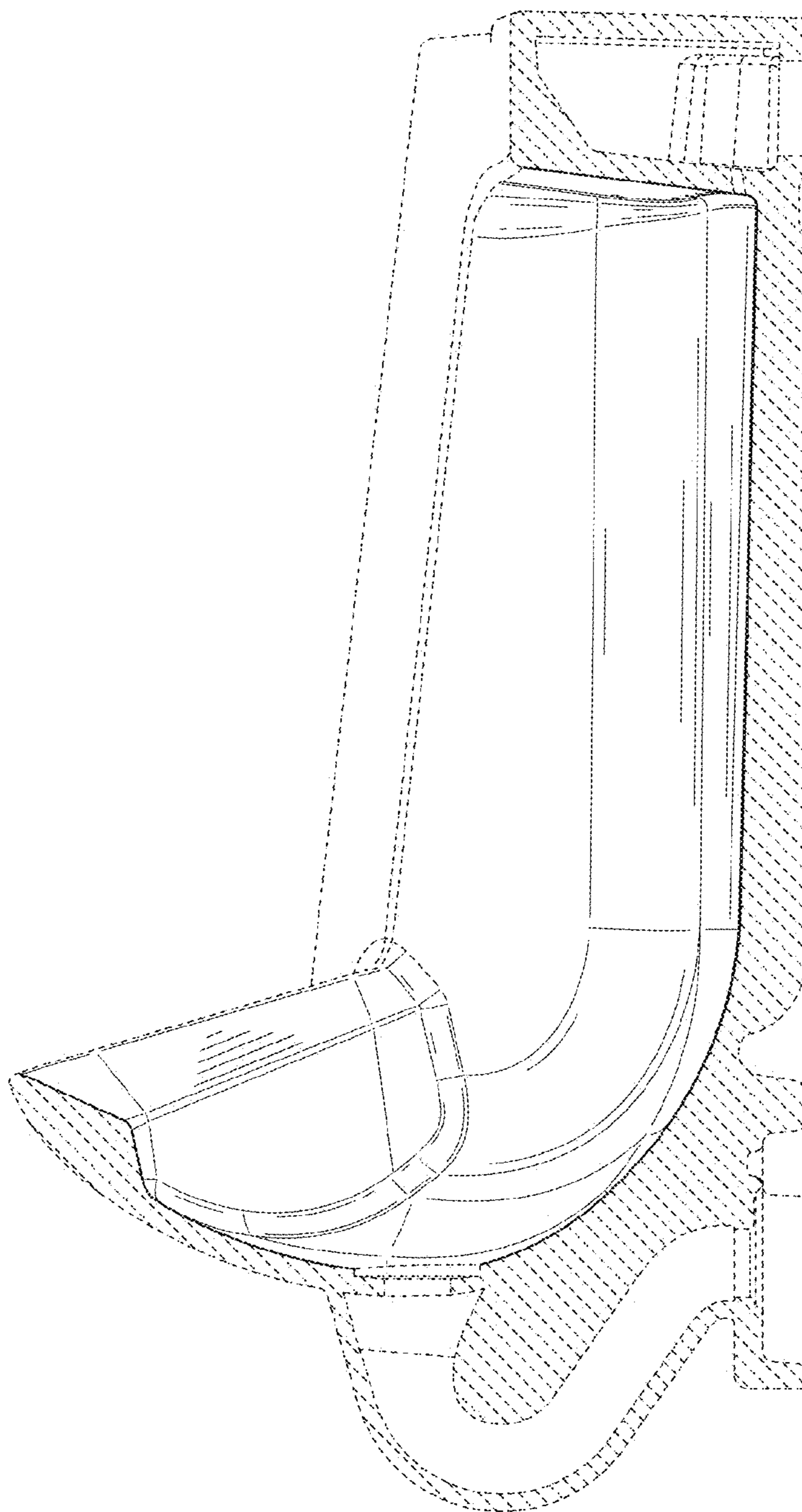


FIG. 5

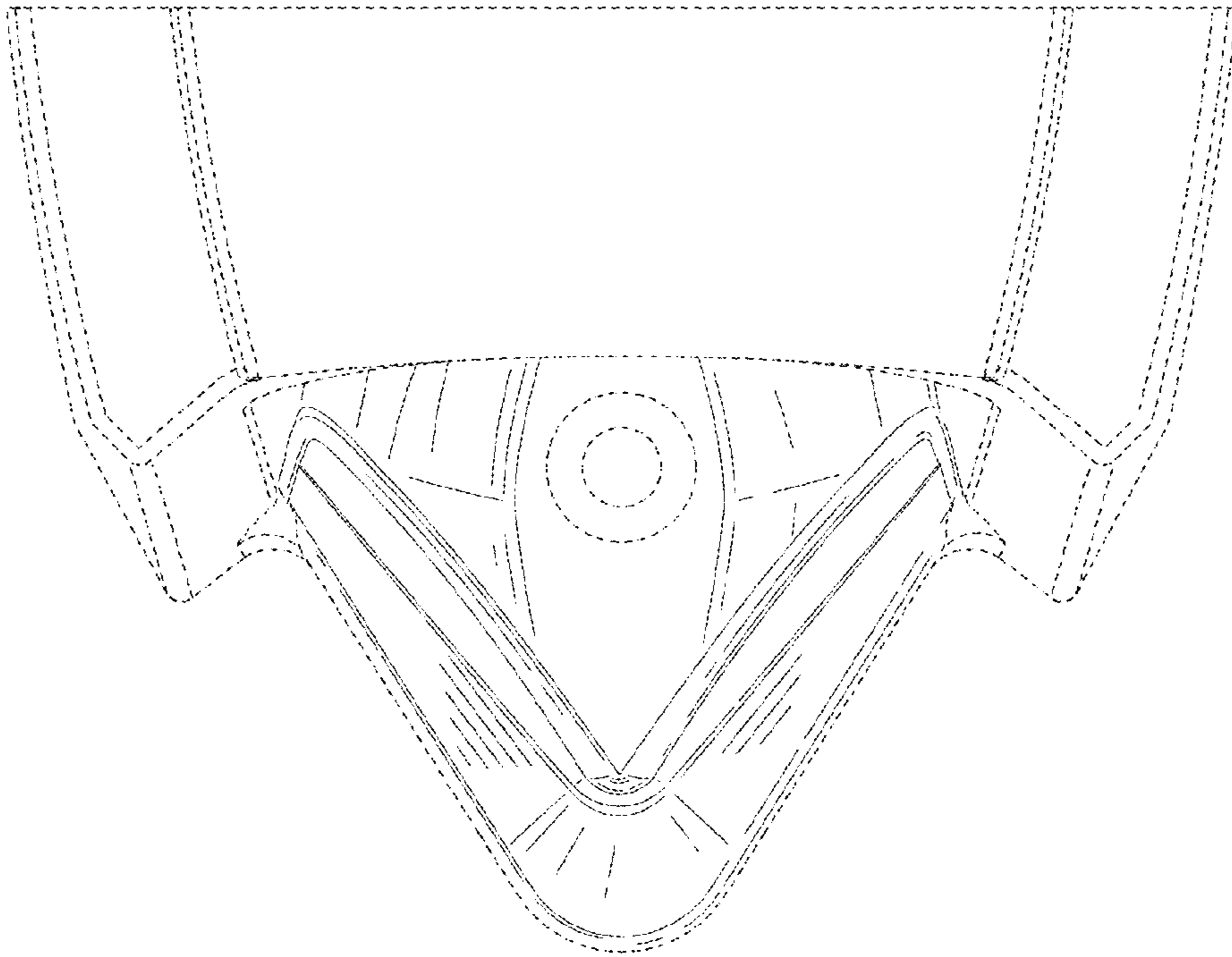


FIG. 6

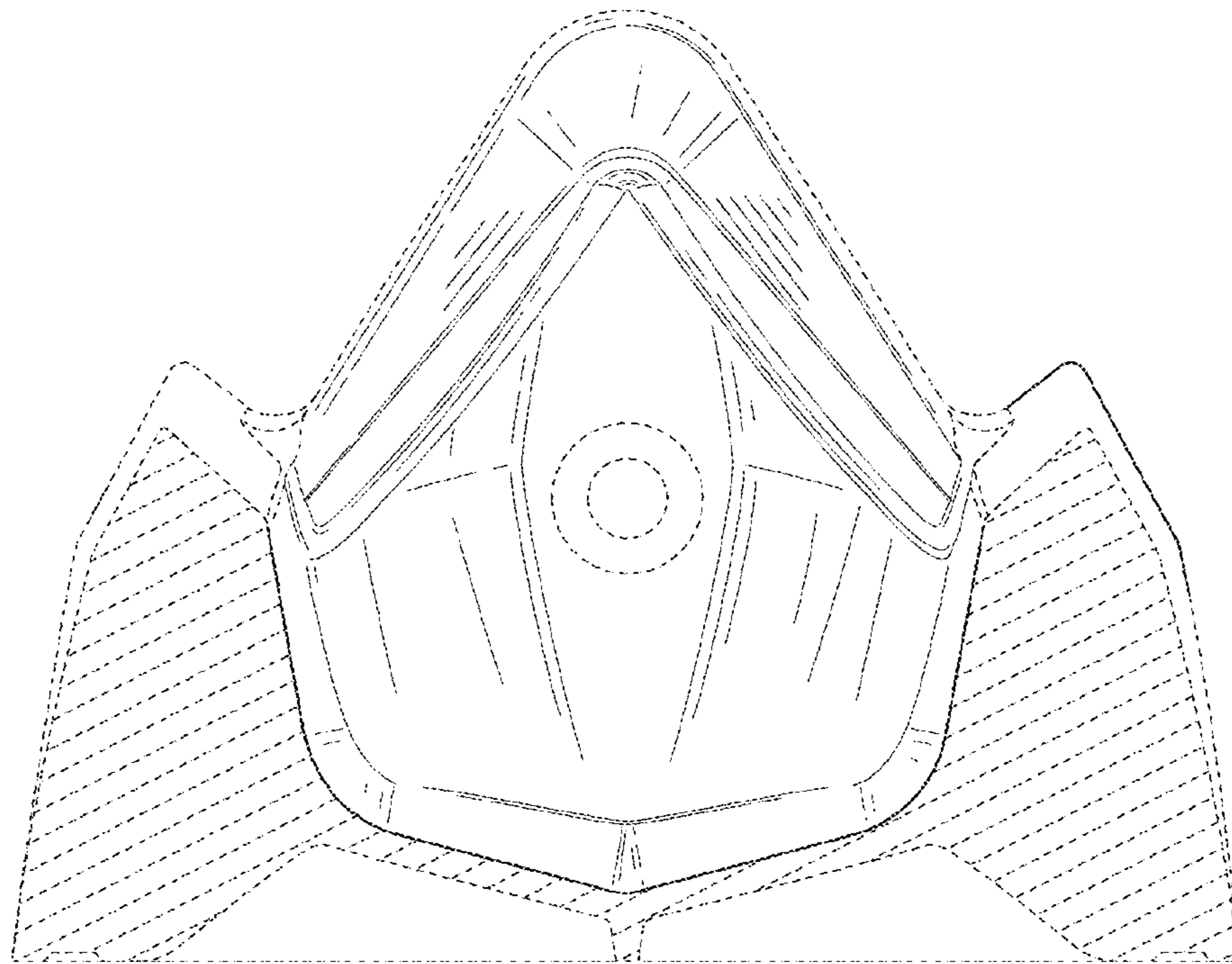


FIG. 7