



US00D747444S

(12) **United States Design Patent**
Gledhill et al.

(10) **Patent No.:** **US D747,444 S**
(45) **Date of Patent:** **** Jan. 12, 2016**

- (54) **TUBE COUPLING END PIECE**
- (71) Applicant: **Reliance Worldwide Corporation,**
Cullman, AL (US)
- (72) Inventors: **Jeremy A. Gledhill,** Eltham (AU);
Martin Dowling, Harrogate (GB); **Peter**
D. Graham, Wakefield (GB)
- (73) Assignee: **RELIANCE WORLDWIDE**
CORPORATION, Cullman, AL (US)

D336,510 S *	6/1993	Sawtelle	D23/262
D529,998 S *	10/2006	Mutou	D23/262
D634,406 S *	3/2011	Klimas	D23/262
D676,940 S	2/2013	Kluss et al.	
D676,941 S	2/2013	Kluss et al.	
D676,942 S	2/2013	Kluss et al.	
D676,943 S	2/2013	Kluss et al.	
D677,766 S *	3/2013	Chen	D23/262
D695,066 S *	12/2013	Nakajima	D23/261
D710,485 S *	8/2014	Nudo	D23/262
D713,216 S *	9/2014	Hui	D7/655
D737,410 S *	8/2015	Wyne	D23/259

* cited by examiner

(**) Term: **14 Years**

Primary Examiner — Sandra Snapp

(21) Appl. No.: **29/496,103**

(74) *Attorney, Agent, or Firm* — Bush Intellectual Property
Law; Kenneth M. Bush

(22) Filed: **Jul. 9, 2014**

(51) **LOC (10) Cl.** **23-01**

(52) **U.S. Cl.**
USPC **D23/262**

(58) **Field of Classification Search**
USPC D23/259–263, 266–269, 233; 251/215,
251/216; 285/369, 372, 373, 417, 133.11,
285/133.3, 133.21, 133.4, 133.5, 133.6
CPC F16L 11/00; F16L 37/252; F16L 41/007;
F16L 33/23; F16L 33/28; F16L 33/00; F16L
33/01; E03C 1/26; E03C 1/262; E03C 1/28;
E03F 5/04; A61B 5/00; A61M 25/09016
See application file for complete search history.

(56) **References Cited**

U.S. PATENT DOCUMENTS

D247,182 S *	2/1978	Ebert	D23/262
D263,992 S *	4/1982	Ebert	D23/262
D265,418 S *	7/1982	Chow	D23/262
D327,120 S *	6/1992	Ambrosi	D23/262

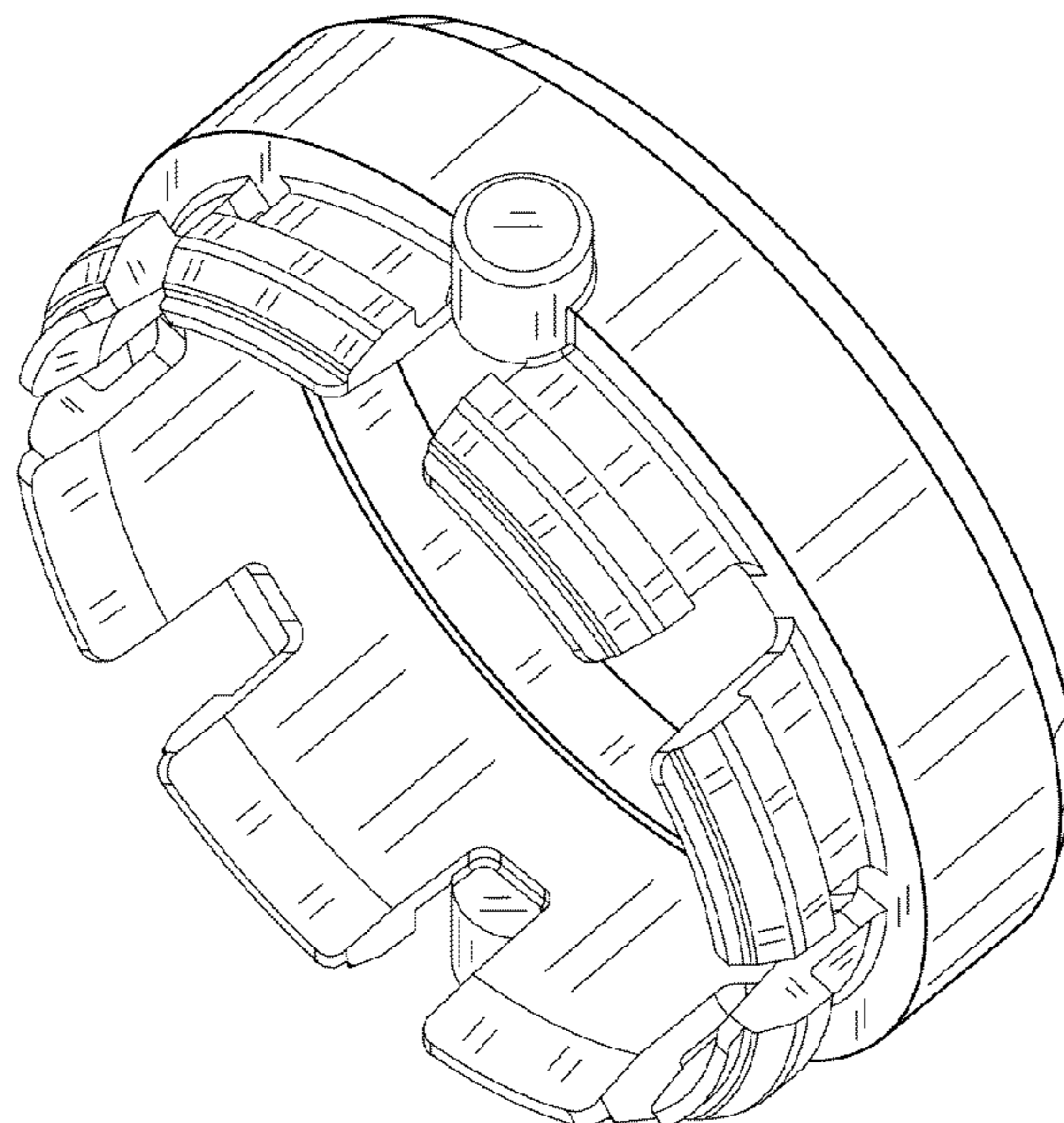
(57) **CLAIM**

We claim the ornamental design for a tube coupling end piece,
as shown and described.

DESCRIPTION

FIG. 1 is a front perspective view of a tube coupling end piece
showing our new design;
FIG. 2 is a rear perspective view thereof;
FIG. 3 is a front elevation view thereof;
FIG. 4 is a rear elevation view thereof;
FIG. 5 is a right side elevation view thereof, the left side
elevation view being identical to the right side elevation view;
and,
FIG. 6 is a top plan view thereof, the bottom plan view being
identical to the top plan view.
The ornamental design for an end piece for a tube coupling
wherein the end piece includes projections extending radially
therefrom.

1 Claim, 3 Drawing Sheets



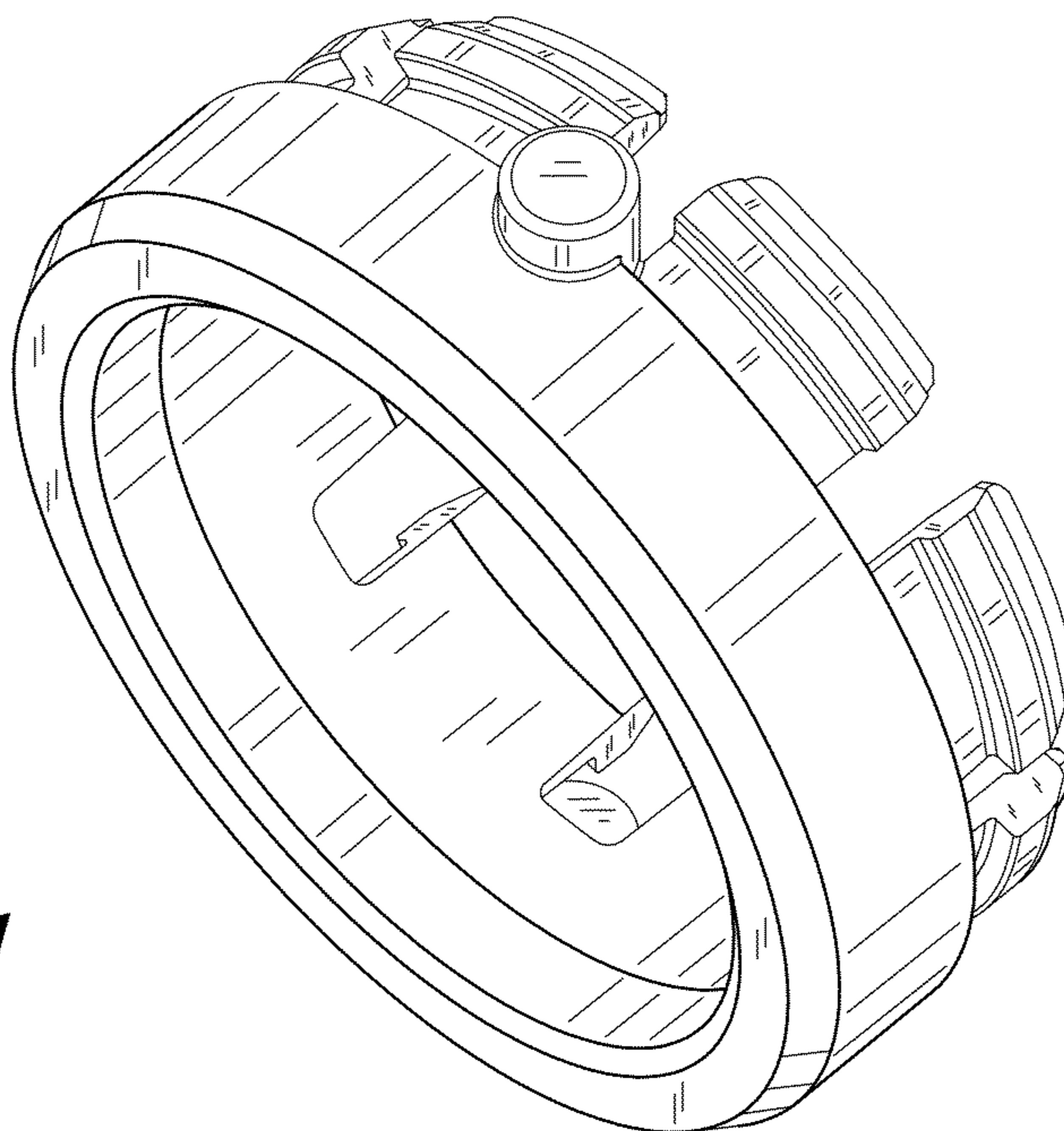


FIG. 1

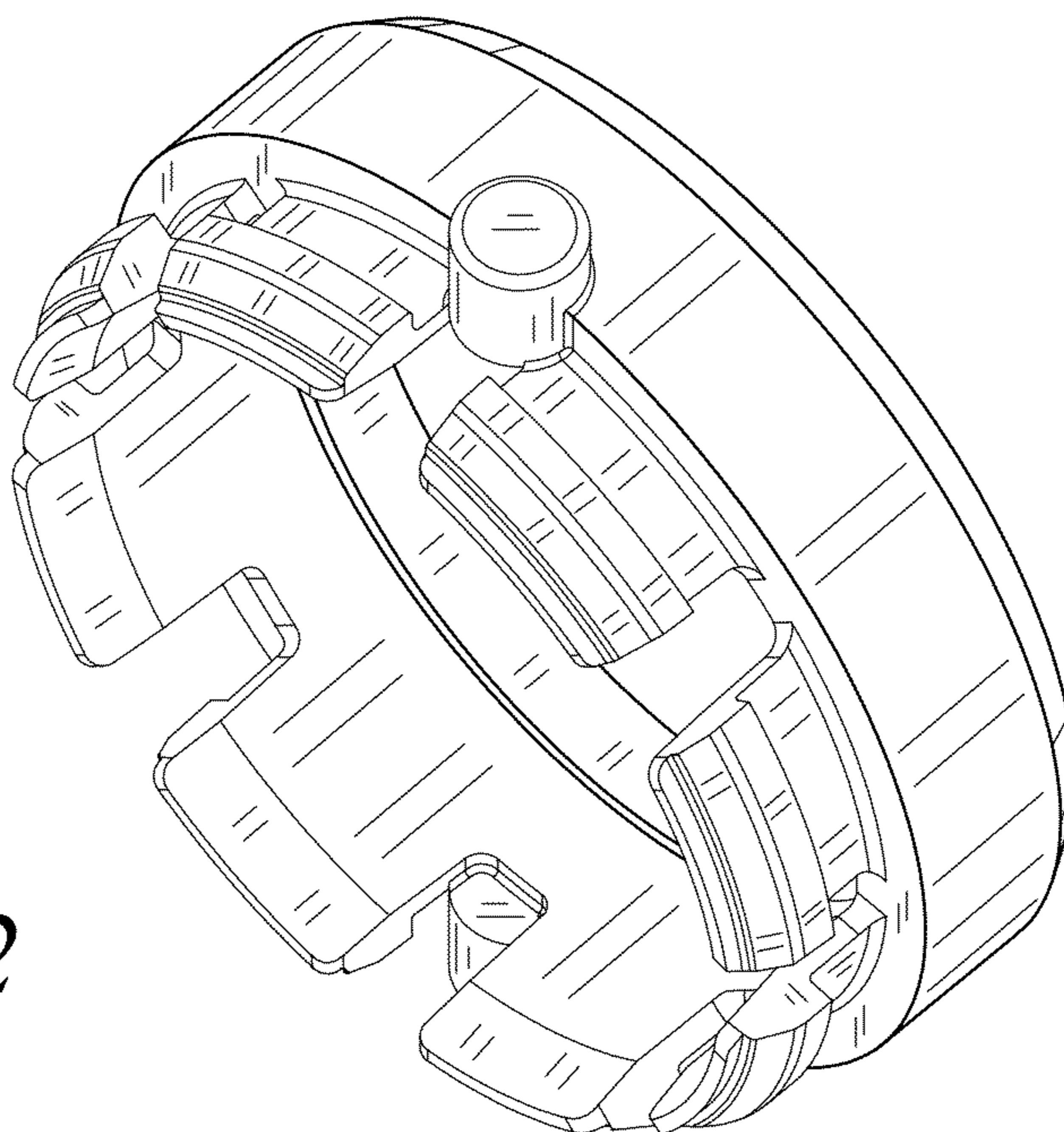


FIG. 2

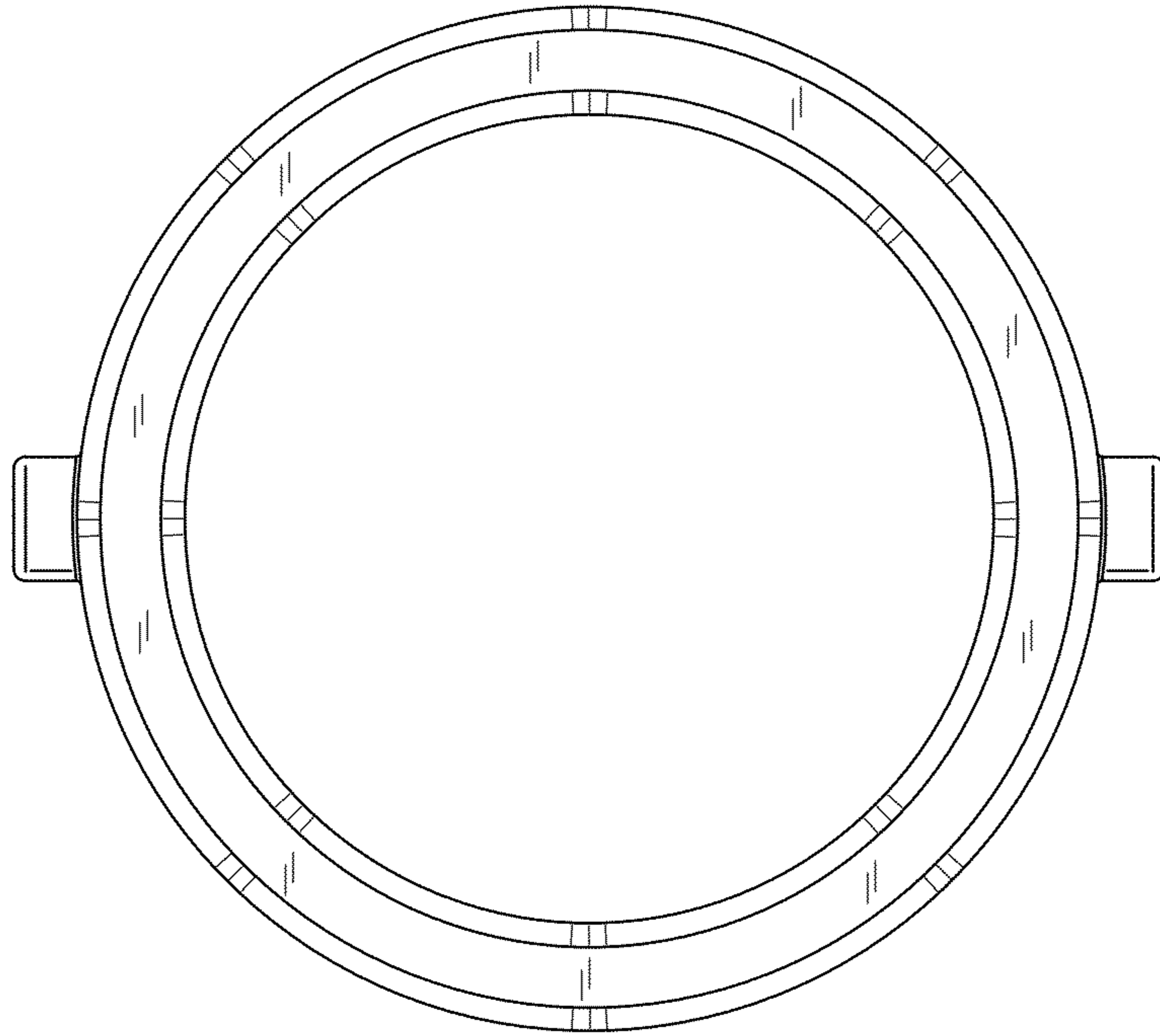


FIG. 3

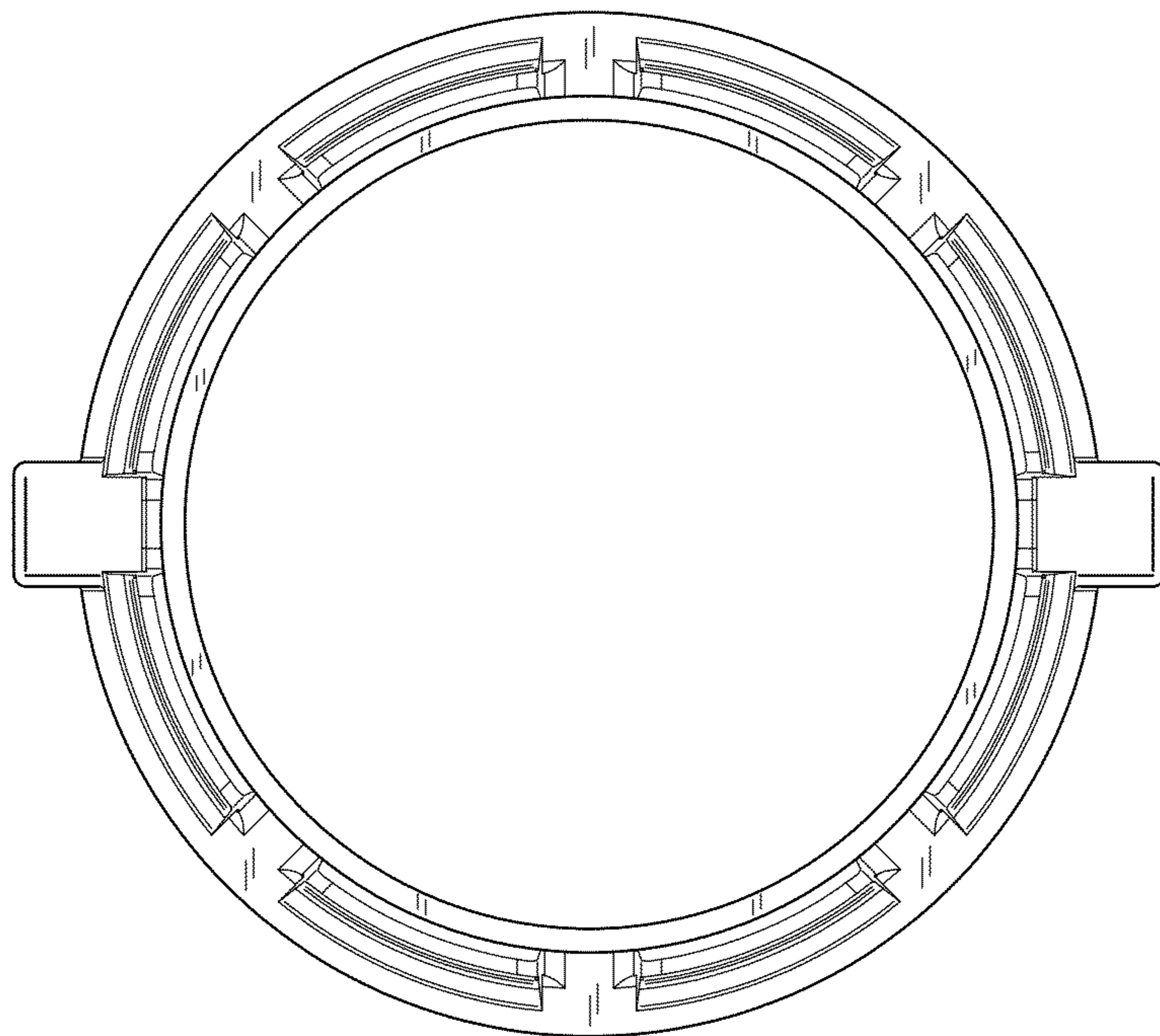


FIG. 4

FIG. 5

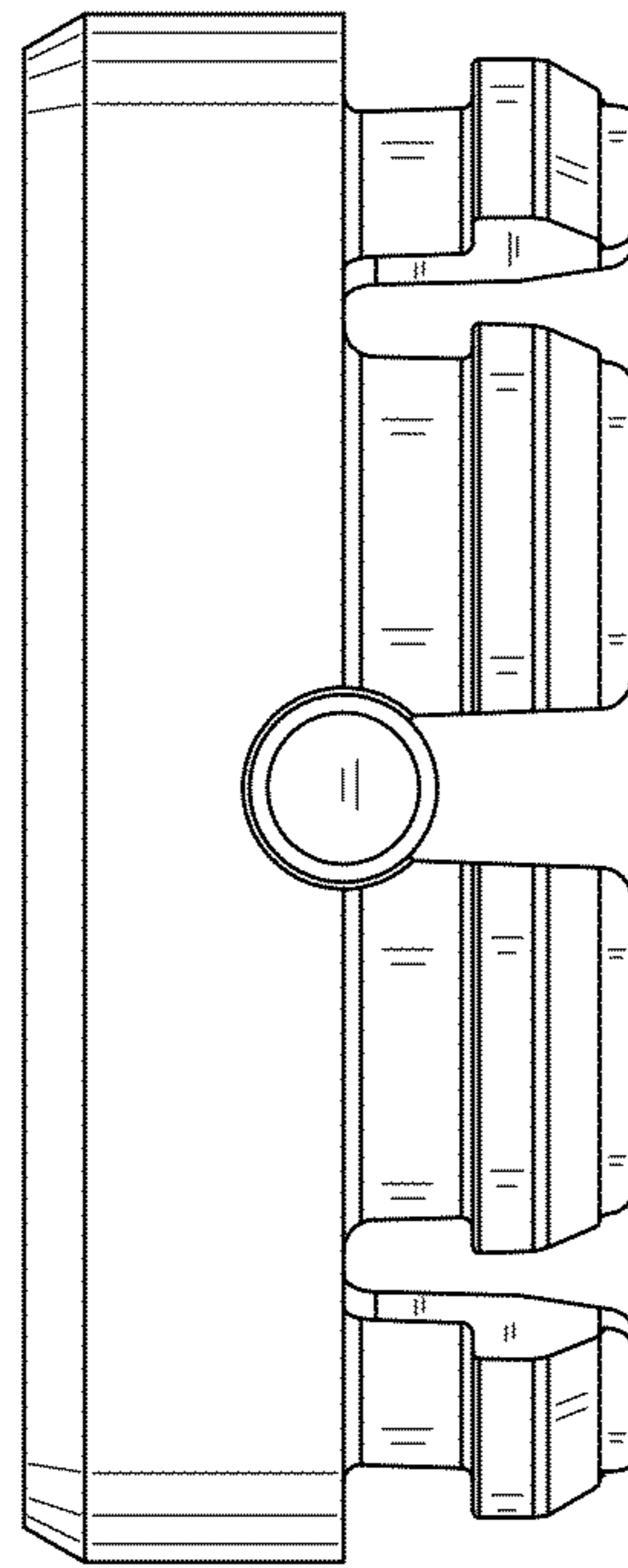


FIG. 6

