



US00D747443S

(12) **United States Design Patent**
Flowers et al.

(10) **Patent No.:** **US D747,443 S**
(45) **Date of Patent:** **** Jan. 12, 2016**

(54) **BASIN MIXER U-SPOUT**

(71) Applicant: **Grohe AG**, Hemer (DE)

(72) Inventors: **Paul Flowers**, Duesseldorf (DE); **Jochen Allard**, Menden (DE)

(73) Assignee: **Grohe AG**, Hemer (DE)

(**) Term: **14 Years**

(21) Appl. No.: **29/510,801**

(22) Filed: **Dec. 3, 2014**

(30) **Foreign Application Priority Data**

Jun. 3, 2014 (EM) 002475368-0012

(51) **LOC (10) Cl.** **23-01**

(52) **U.S. Cl.**
USPC **D23/255**

(58) **Field of Classification Search**
USPC D23/238, 241–243, 249–250, 252, 255,
D23/257
CPC E03C 1/04; E03C 1/0401; E03C 1/0402;
E03C 1/0404
See application file for complete search history.

(56) **References Cited**

U.S. PATENT DOCUMENTS

D254,801 S * 4/1980 Santi D23/238
D524,426 S * 7/2006 Sallick et al. D23/255

D526,389 S * 8/2006 Lammel et al. D23/238
D570,960 S * 6/2008 Semchuck et al. D23/238
D581,025 S * 11/2008 Schonherr et al. D23/255
D581,492 S * 11/2008 Schonherr et al. D23/255
D622,361 S * 8/2010 Lammel et al. D23/255
D629,071 S * 12/2010 Matsuura et al. D23/255
D652,899 S * 1/2012 Citterio D23/255

* cited by examiner

Primary Examiner — Robert Delehanty

(74) *Attorney, Agent, or Firm* — Muncy, Geissler, Olds & Lowe, P.C.

(57) **CLAIM**

The ornamental design for a basin mixer U-spout, as shown and described.

DESCRIPTION

FIG. 1 is a front perspective view of a basin mixer U-spout according to the present invention.

FIG. 2 is a left side view of the basin mixer U-spout of FIG. 1. FIG. 3 is a right side view of the basin mixer U-spout of FIG. 1.

FIG. 4 is a top view of the basin mixer U-spout of FIG. 1.

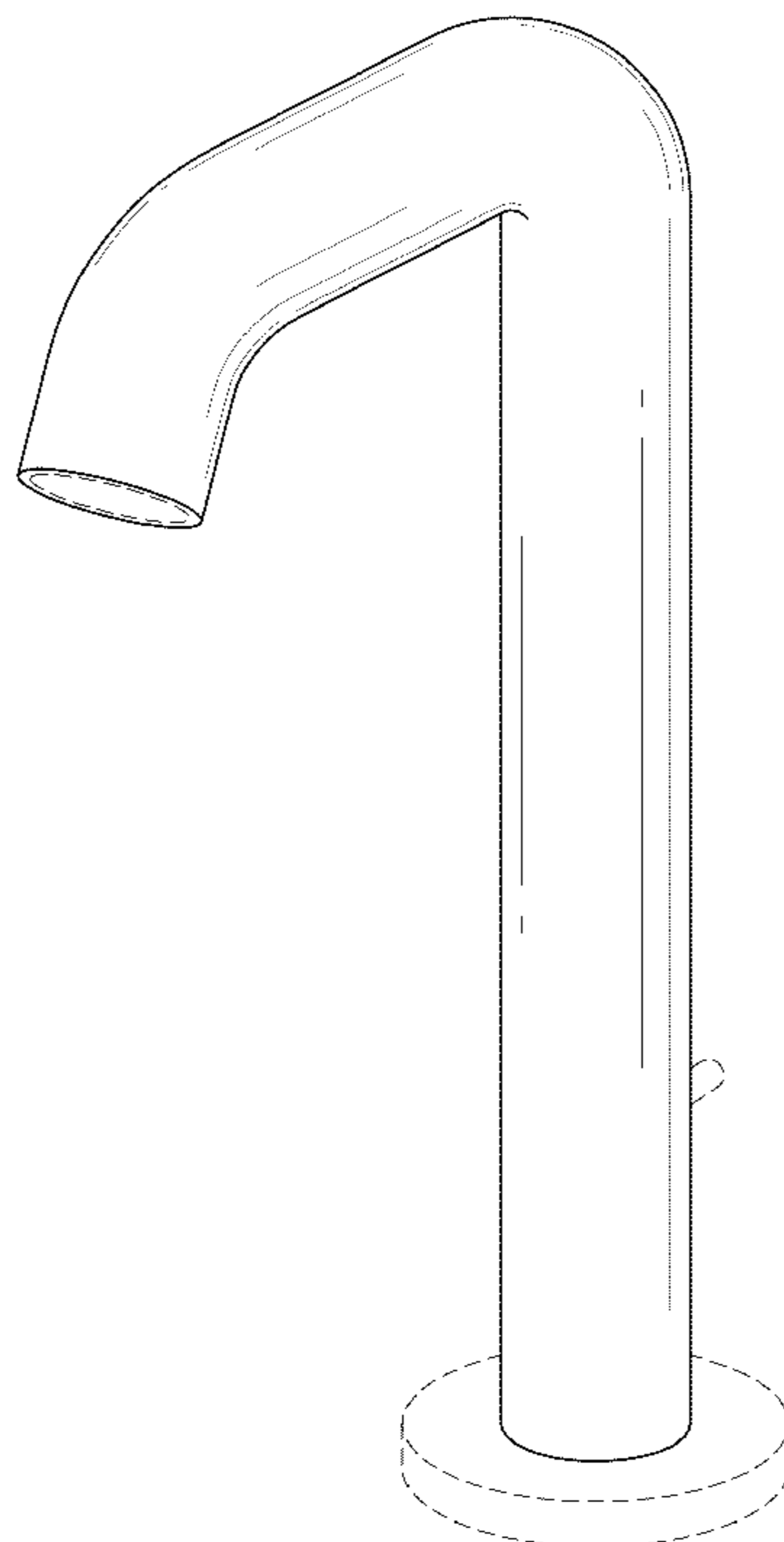
FIG. 5 is a bottom view of the basin mixer U-spout of FIG. 1.

FIG. 6 is a front view of the basin mixer U-spout of FIG. 1; and,

FIG. 7 is a rear view of the basin mixer U-spout of FIG. 1.

The dashed lines illustrate environment that does not form a part of the present invention, and no claim is made to the material illustrated with dashed lines.

1 Claim, 7 Drawing Sheets



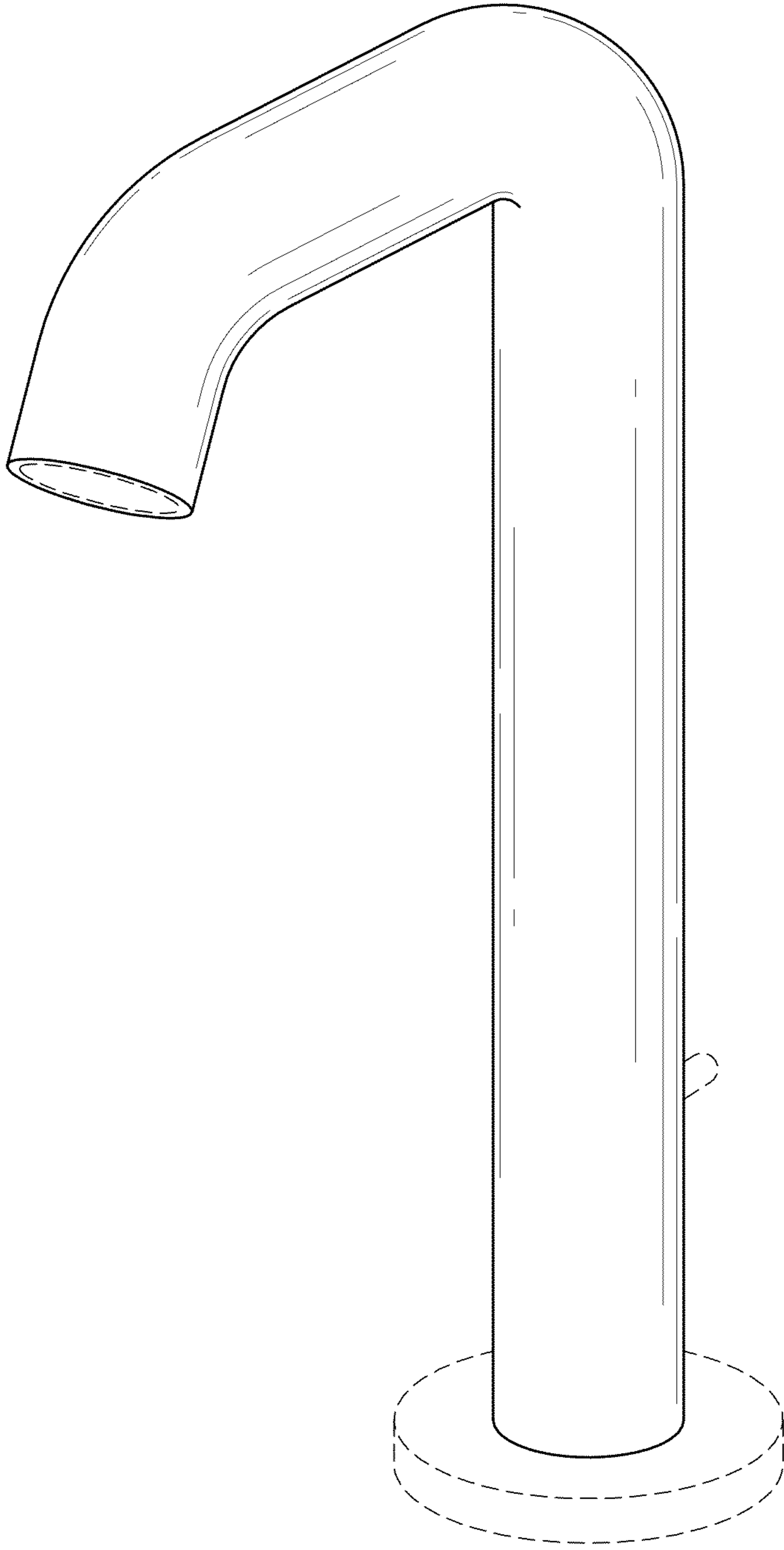


FIG. 1

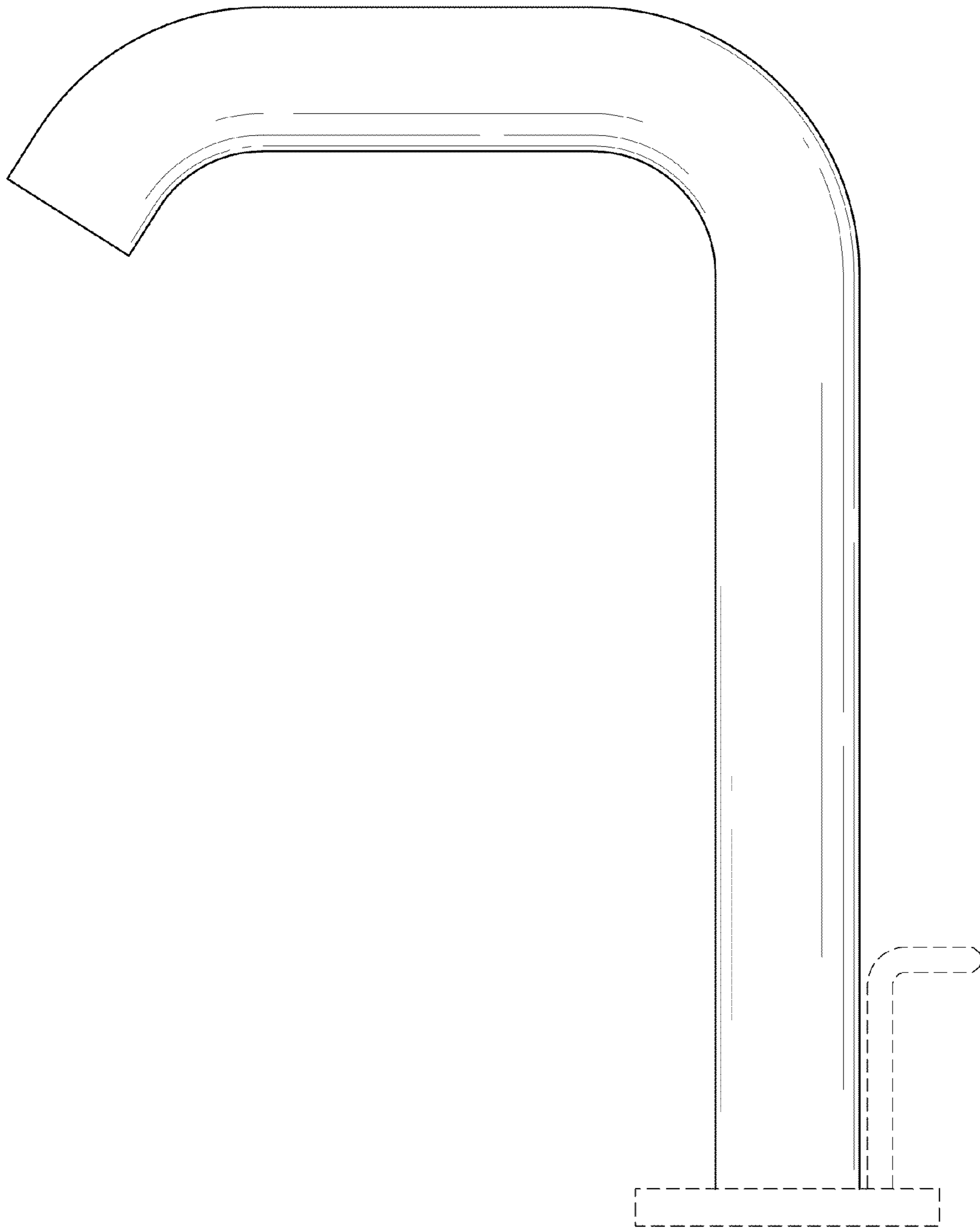


FIG.2

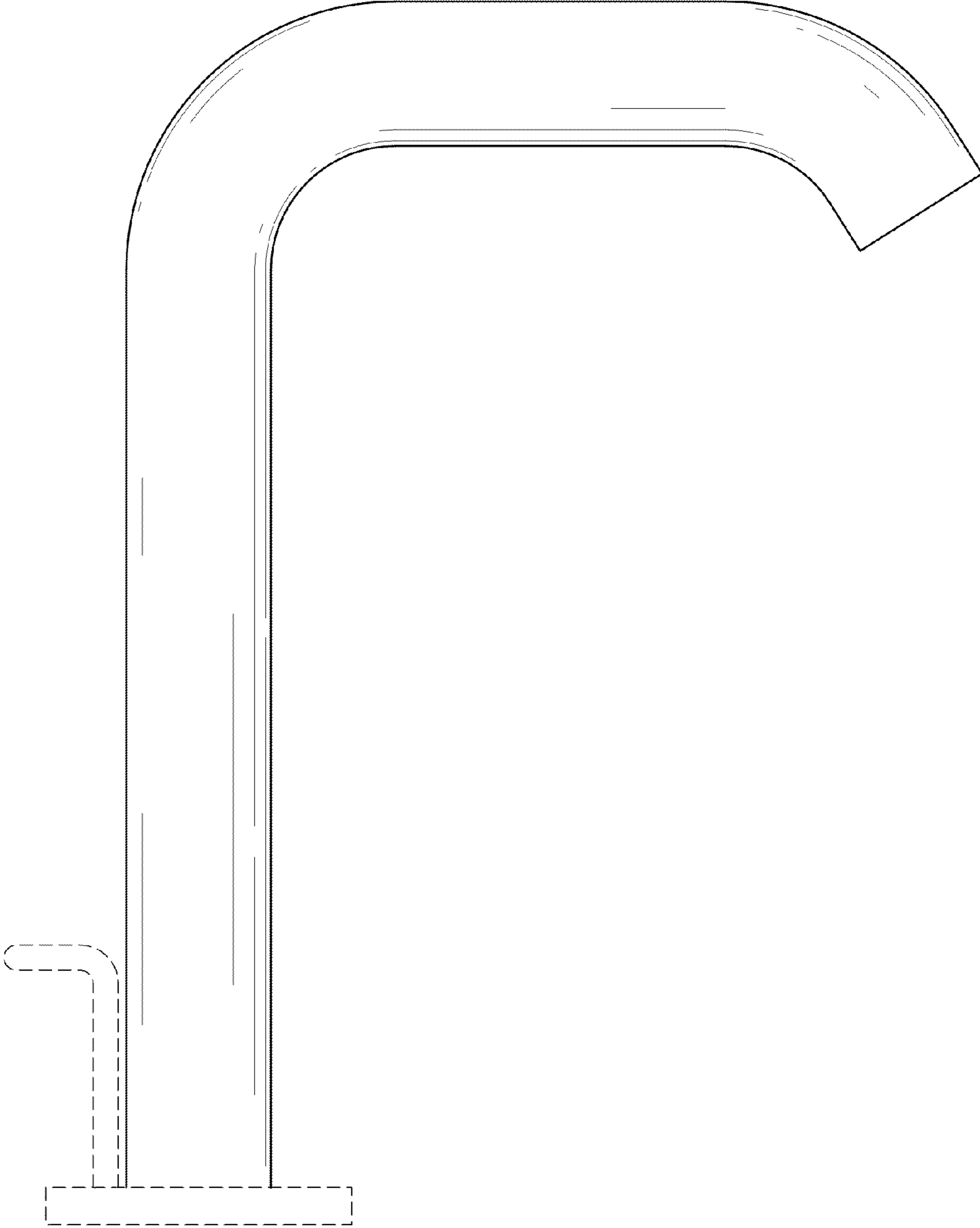


FIG.3

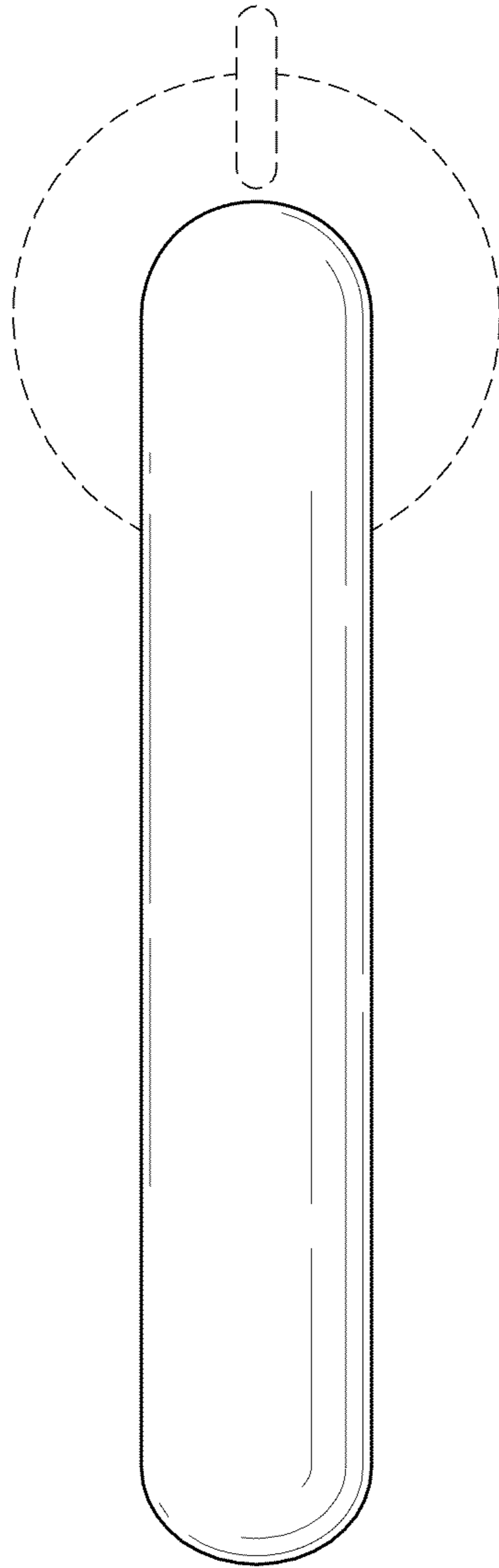


FIG.4

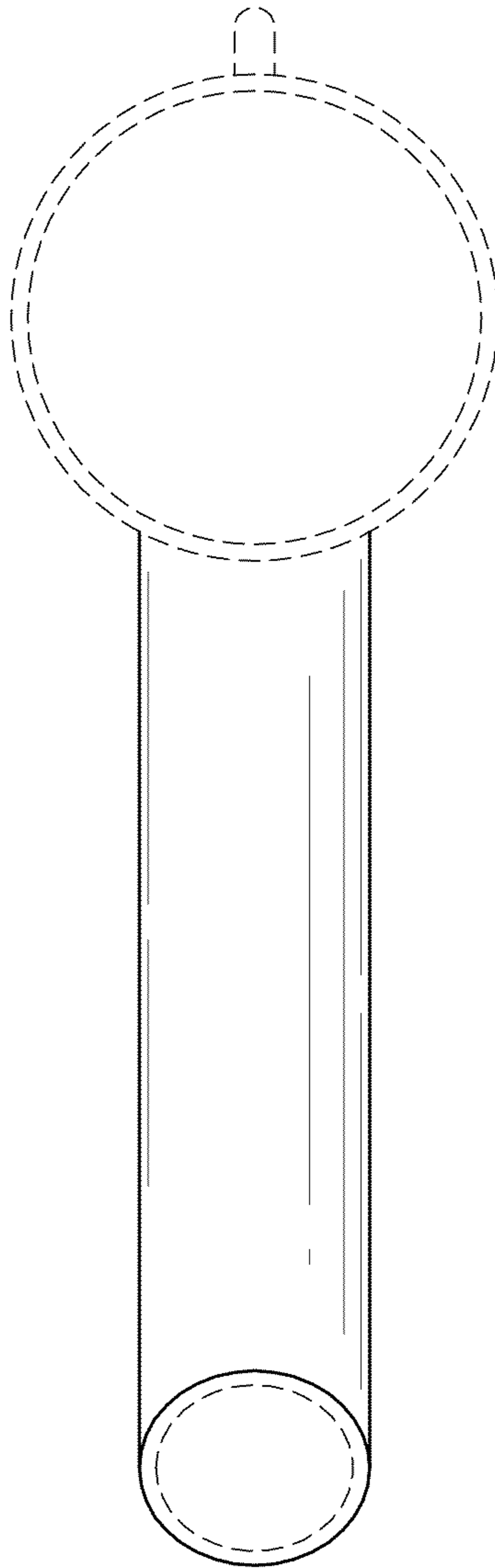


FIG.5

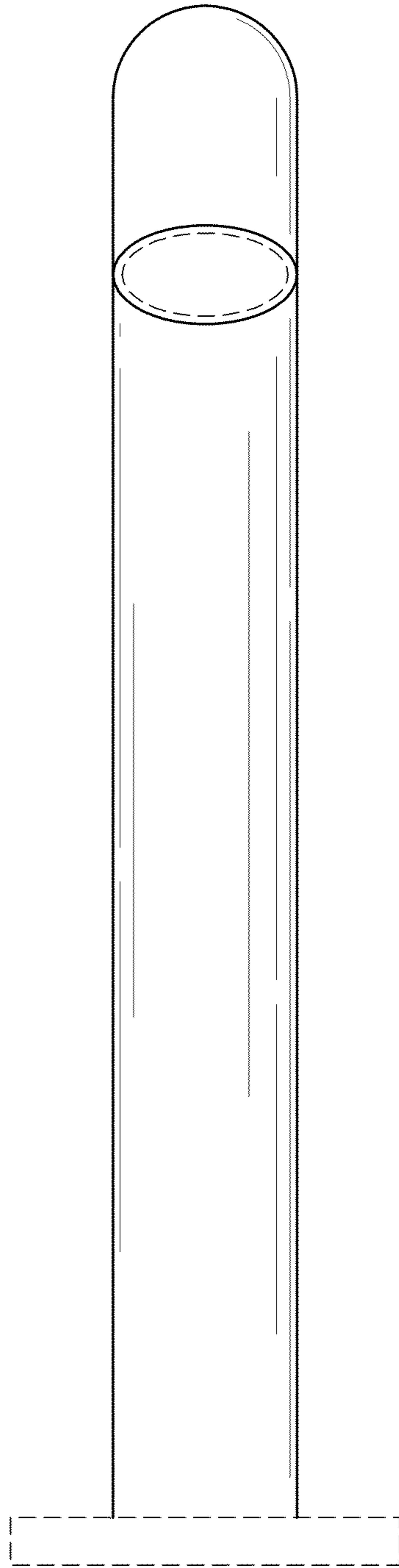


FIG.6

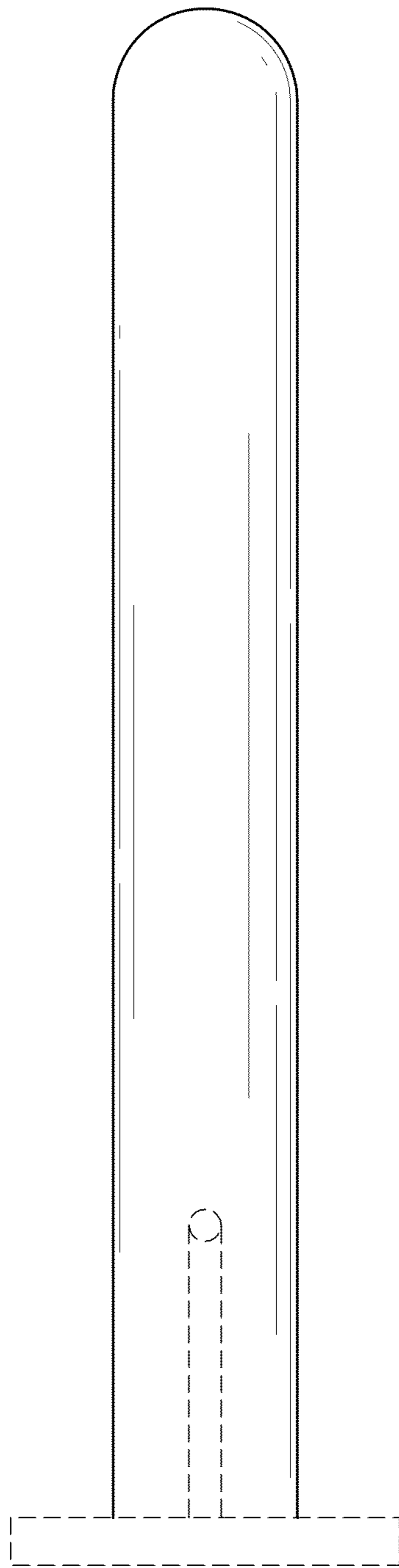


FIG. 7