

US00D747442S

(12) **United States Design Patent**  
**Mazz et al.**

(10) **Patent No.:** **US D747,442 S**  
(45) **Date of Patent:** **\*\* Jan. 12, 2016**

(54) **FAUCET**

(71) Applicants: **Margaret C. Mazz**, Sheboygan, WI  
(US); **Gary N. Clarke**, Sheboygan, WI  
(US)

(72) Inventors: **Margaret C. Mazz**, Sheboygan, WI  
(US); **Gary N. Clarke**, Sheboygan, WI  
(US)

(73) Assignee: **KOHLER CO.**, Kohler, WI (US)

(\*\*) Term: **14 Years**

(21) Appl. No.: **29/503,901**

(22) Filed: **Sep. 30, 2014**

(51) **LOC (10) Cl.** ..... **23-01**

(52) **U.S. Cl.**  
USPC ..... **D23/238**

(58) **Field of Classification Search**  
USPC ..... D23/238, 249, 250, 252, 255, 257  
CPC ..... E03C 1/04; E03C 1/0401; E03C 1/0402;  
E03C 1/0404; E03C 2001/0415  
See application file for complete search history.

(56) **References Cited**

**U.S. PATENT DOCUMENTS**

D428,965 S 8/2000 Slothower  
D487,798 S 3/2004 Bayer  
D499,795 S \* 12/2004 Bayer ..... D23/238  
D534,621 S \* 1/2007 Chu et al. .... D23/238

D645,937 S \* 9/2011 Sedwick ..... D23/238  
D670,361 S 11/2012 Georgeson et al.  
D676,117 S 2/2013 Georgeson et al.  
D683,825 S 6/2013 Sofield  
D684,242 S 6/2013 McKeone et al.  
D689,595 S 9/2013 Georgeson  
D691,708 S 10/2013 Georgeson et al.  
D694,861 S 12/2013 McKeone et al.  
D698,424 S 1/2014 Georgeson et al.  
D703,789 S 4/2014 Mazz et al.  
D708,714 S 7/2014 Georgeson  
D709,167 S \* 7/2014 Flowers et al. .... D23/238

\* cited by examiner

*Primary Examiner* — Robert Delehanty

(74) *Attorney, Agent, or Firm* — Foley & Lardner LLP

(57) **CLAIM**

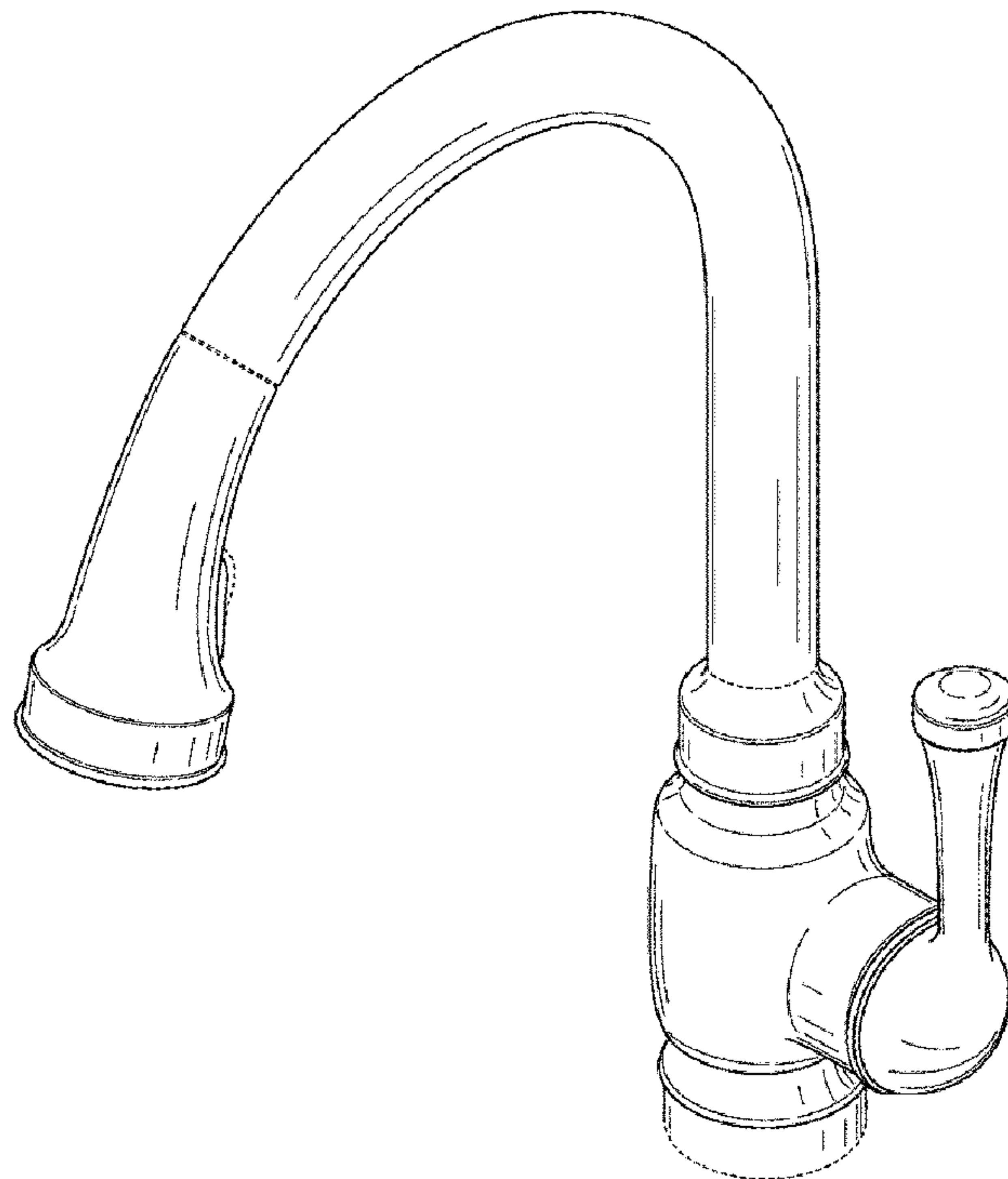
We claim the ornamental design for a faucet, as shown and described.

**DESCRIPTION**

FIG. 1 is a top, front, right perspective view of an embodiment of the claimed design;  
FIG. 2 is a front elevation view thereof;  
FIG. 3 is a rear elevation view thereof;  
FIG. 4 is a left elevation view thereof;  
FIG. 5 is a right elevation view thereof;  
FIG. 6 is a top plan view thereof; and,  
FIG. 7 is a bottom plan view thereof.

The ornamental design which is claimed is shown in solid lines in the drawings. The broken lines in the drawings form no part of the claimed design.

**1 Claim, 7 Drawing Sheets**



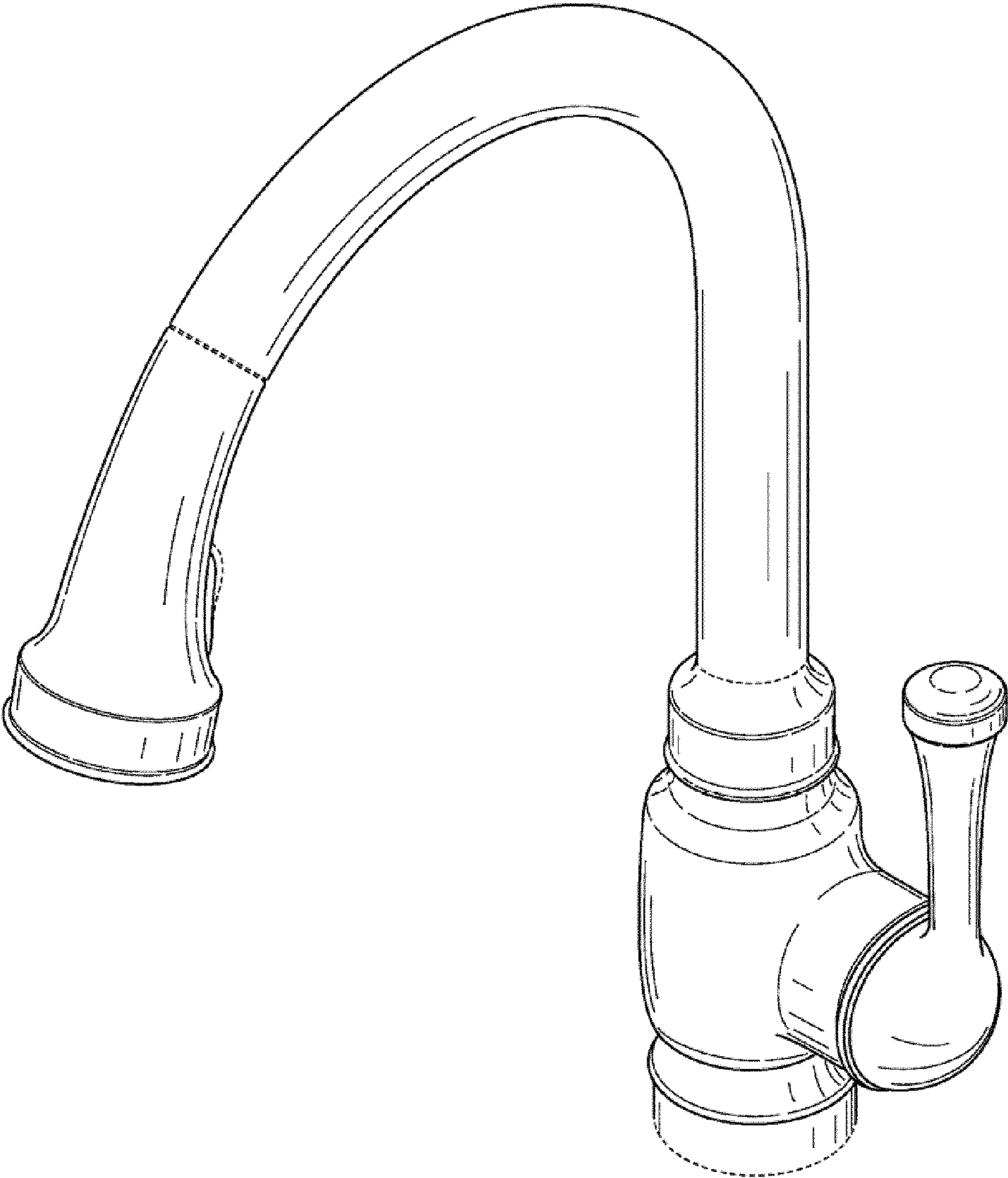
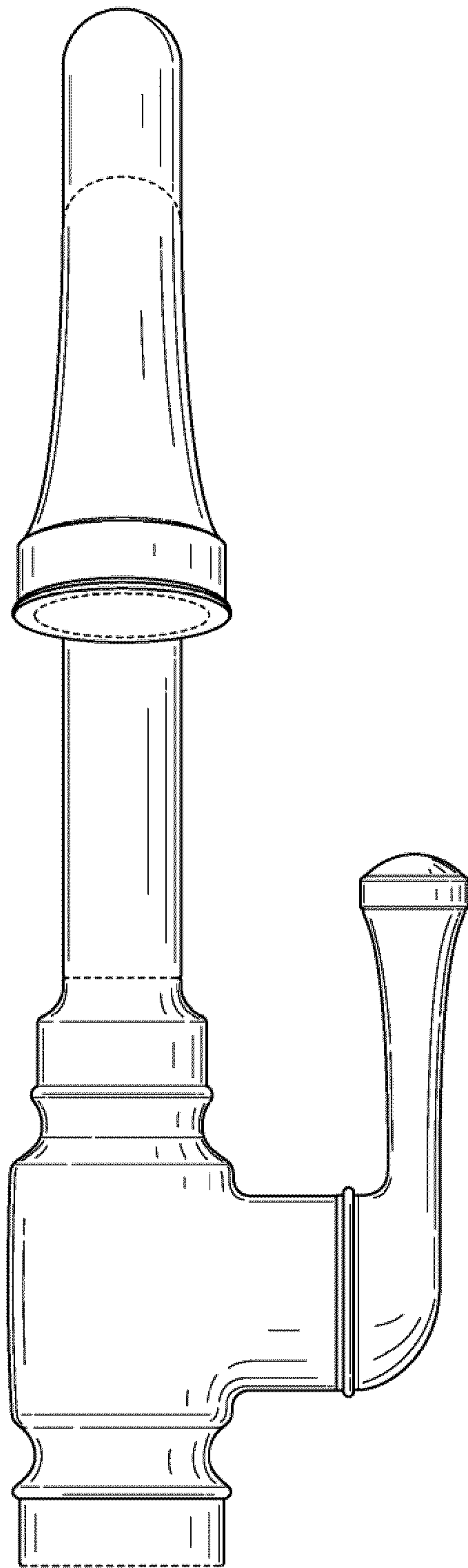
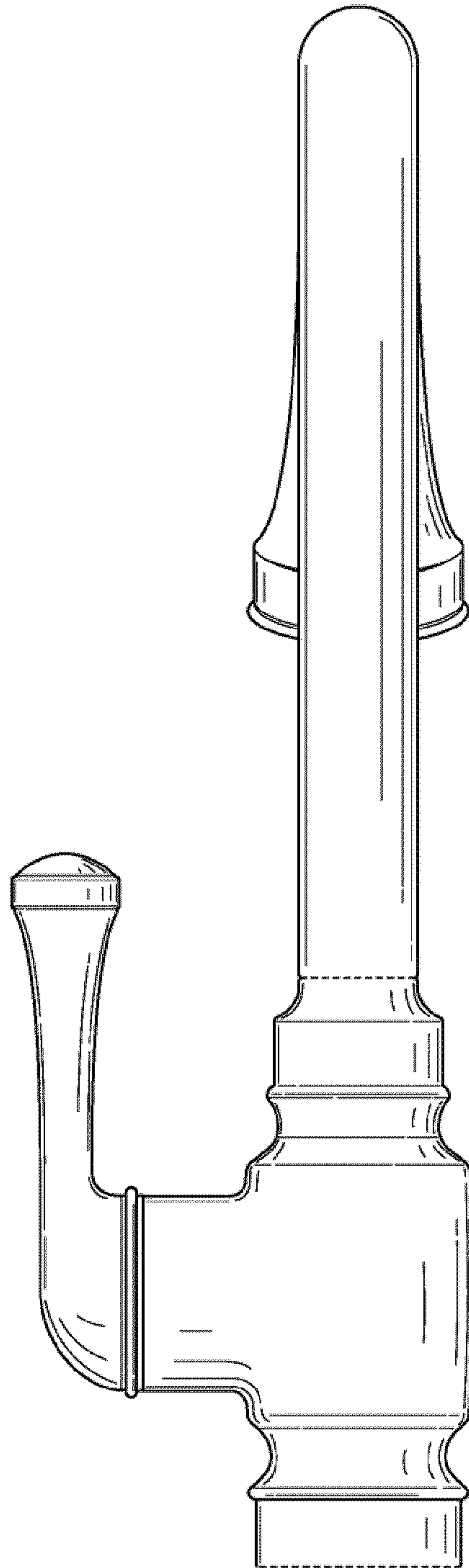


FIG. 1



**FIG. 2**



**FIG. 3**

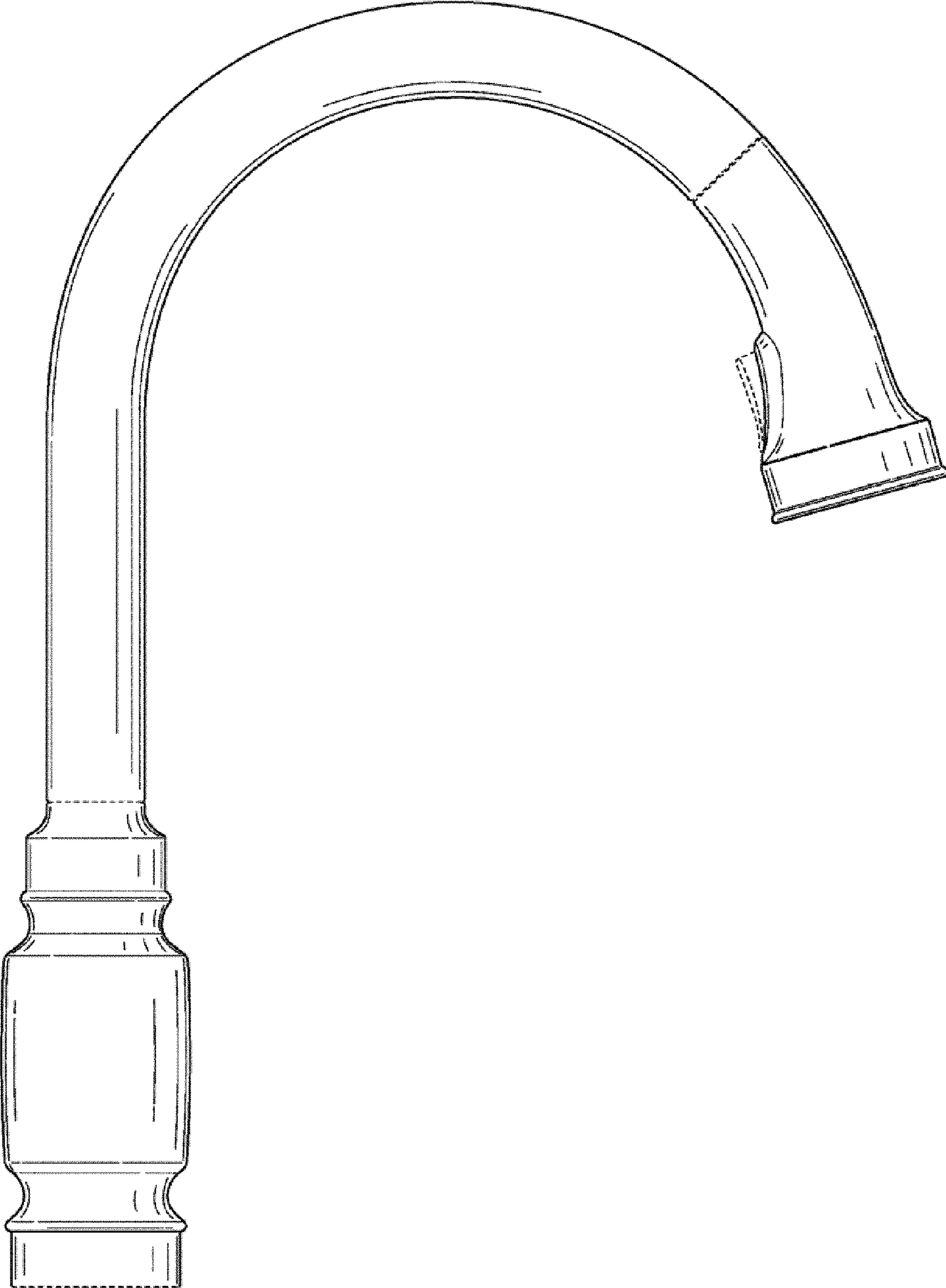


FIG. 4



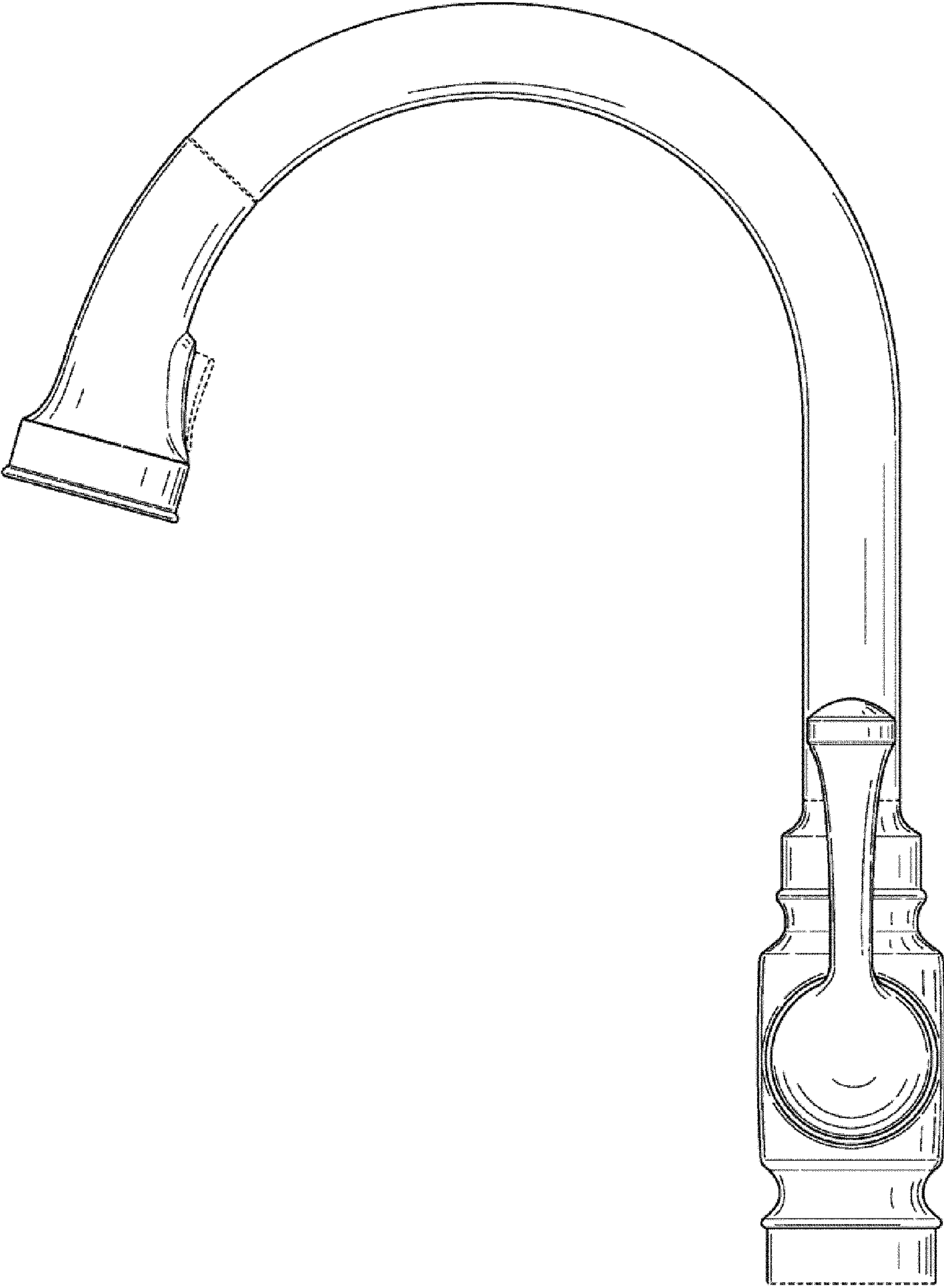
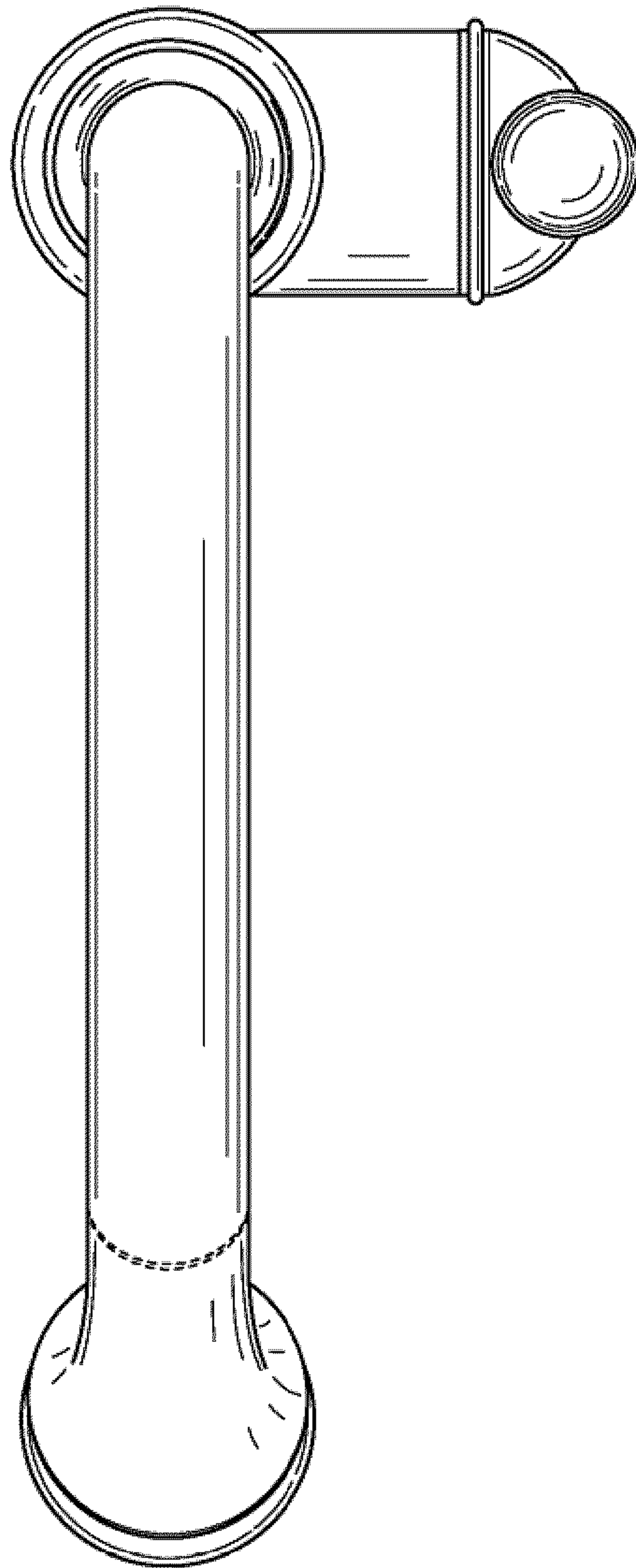
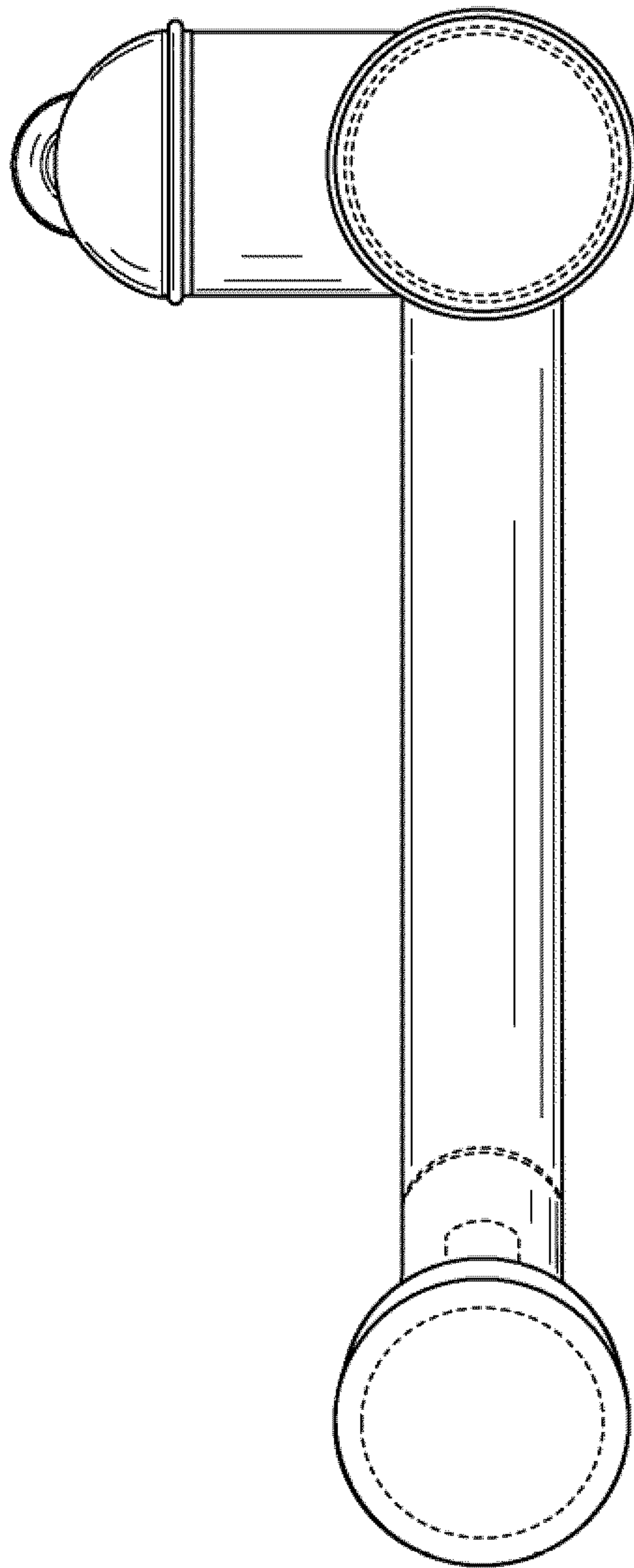


FIG. 5



**FIG. 6**



**FIG. 7**