



US00D747441S

(12) **United States Design Patent**
Näslund

(10) **Patent No.:** **US D747,441 S**
(45) **Date of Patent:** **** Jan. 12, 2016**

(54) **SPRAY LANCE**

(71) Applicant: **Husqvarna AB**, Huskvarna (SE)

(72) Inventor: **Jens Näslund**, Johanneshov (SE)

(73) Assignee: **HUSQVARNA AB**, Huskvarna (SE)

(**) Term: **14 Years**

(21) Appl. No.: **29/500,493**

(22) Filed: **Aug. 26, 2014**

(30) **Foreign Application Priority Data**

Mar. 13, 2014 (EM) 002424465-0024

(51) **LOC (10) Cl.** **23-01**

(52) **U.S. Cl.**
USPC **D23/223**

(58) **Field of Classification Search**
USPC D23/213, 223, 226; 239/525-6, 530,
239/532
CPC B05B 9/01; B05B 12/002; B05B 7/02;
B05B 7/025
See application file for complete search history.

(56) **References Cited**

U.S. PATENT DOCUMENTS

D270,560 S * 9/1983 Clivio et al. D23/226
D385,948 S * 11/1997 Guo D23/223

D466,183 S * 11/2002 Tse D23/213
D479,302 S * 9/2003 Chen D23/213
D499,790 S * 12/2004 Chen D23/223
D513,426 S * 1/2006 Chen D23/223
D699,814 S * 2/2014 Ondarra D23/226
8,640,979 B2 * 2/2014 Wu 239/532

* cited by examiner

Primary Examiner — Robin V Webster

(74) *Attorney, Agent, or Firm* — Nelson Mullins Riley & Scarborough LLP

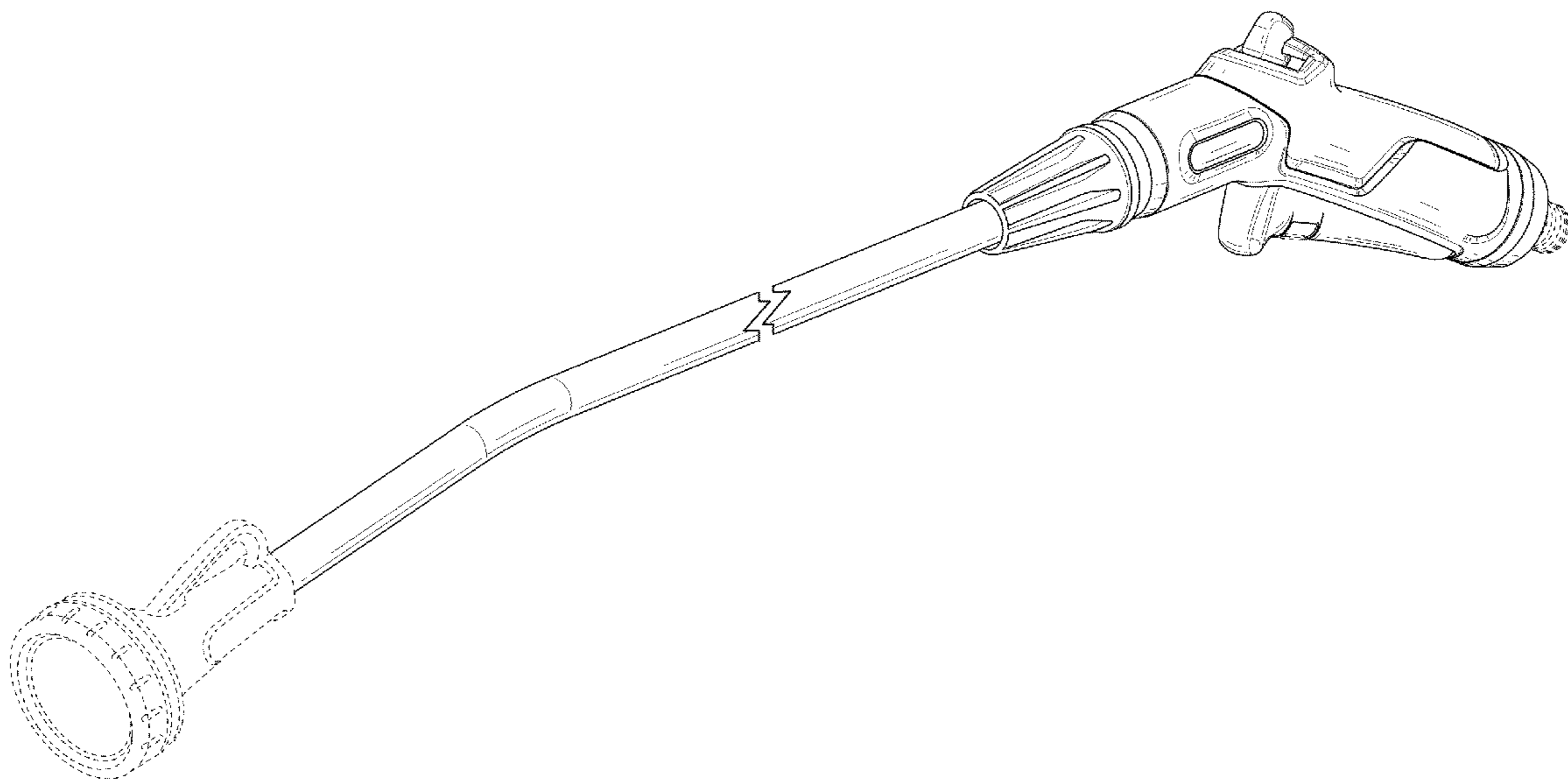
(57) **CLAIM**

The ornamental design for a spray lance, as shown and described.

DESCRIPTION

FIG. 1 is a perspective view of a spray lance in accordance with an embodiment of the present invention; FIG. 2 is a front view of the spray lance of FIG. 1; FIG. 3 is a back view of the spray lance of FIG. 1; FIG. 4 is a left side view of the spray lance of FIG. 1; FIG. 5 is a right side view of the spray lance of FIG. 1; FIG. 6 is a top view of the spray lance of FIG. 1; and, FIG. 7 is a bottom view of the spray lance of FIG. 1. The broken lines of FIGS. 1-7 are illustrative of the visible environmental structure of the spray lance and form no part of the claimed design. The claimed design is shown fragmented to indicate non-specified length.

1 Claim, 4 Drawing Sheets



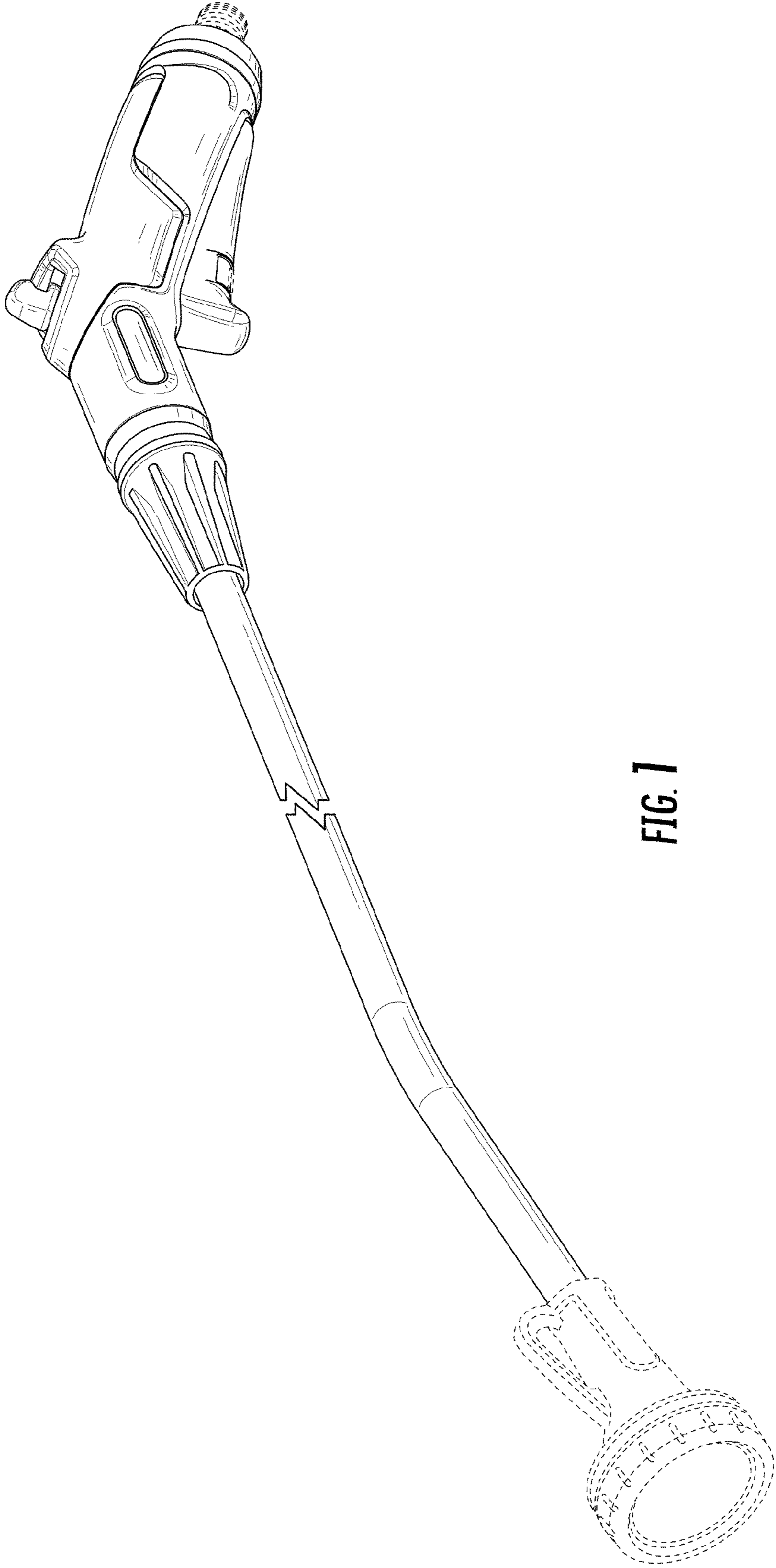


FIG. 1

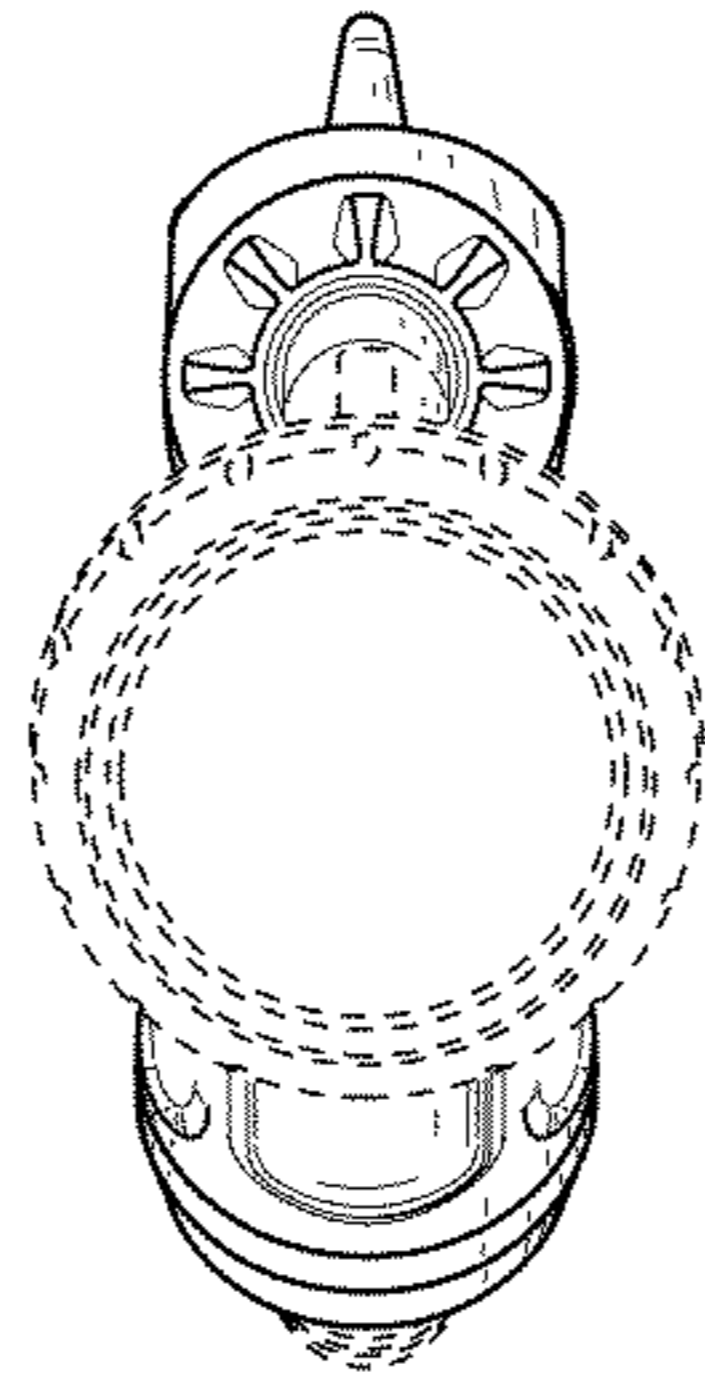


FIG. 2

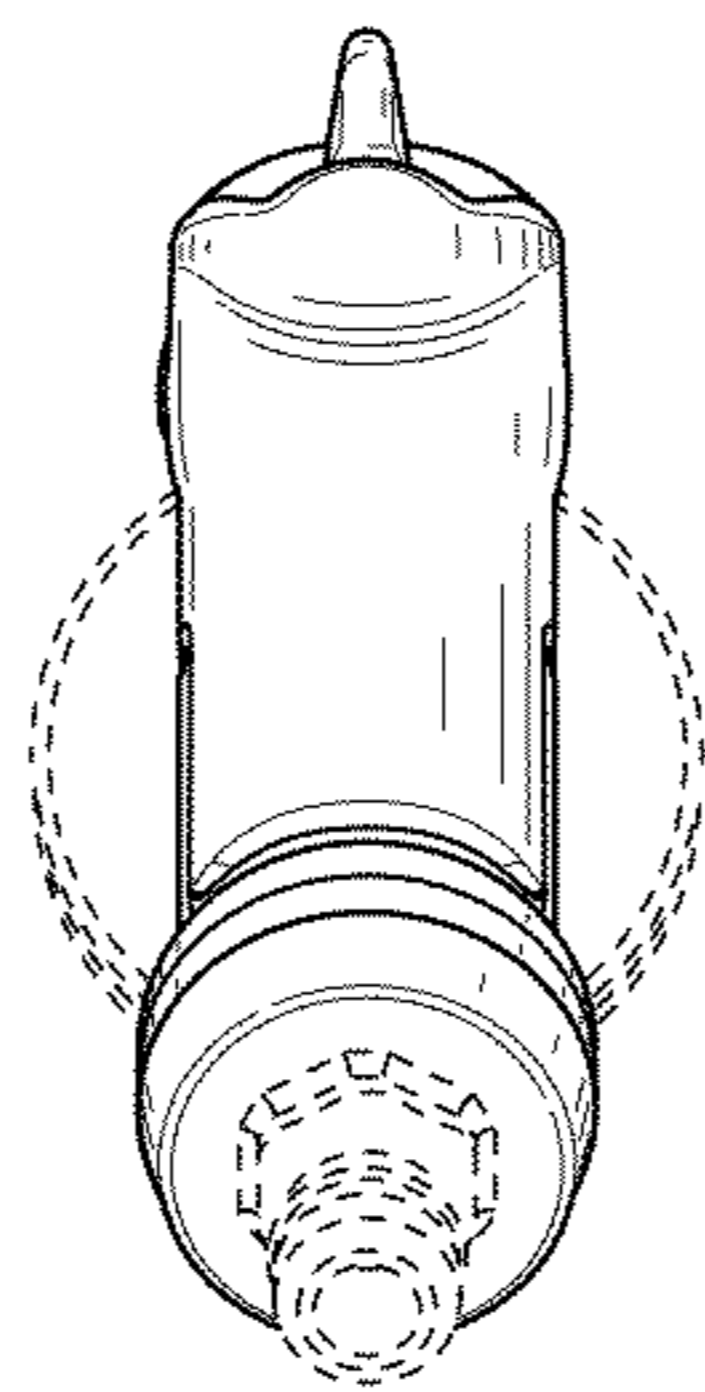


FIG. 3

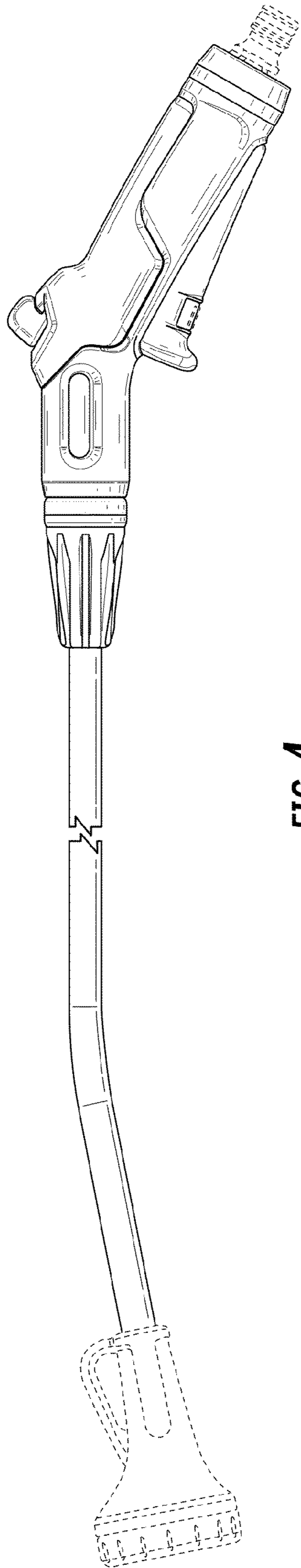


FIG. 4

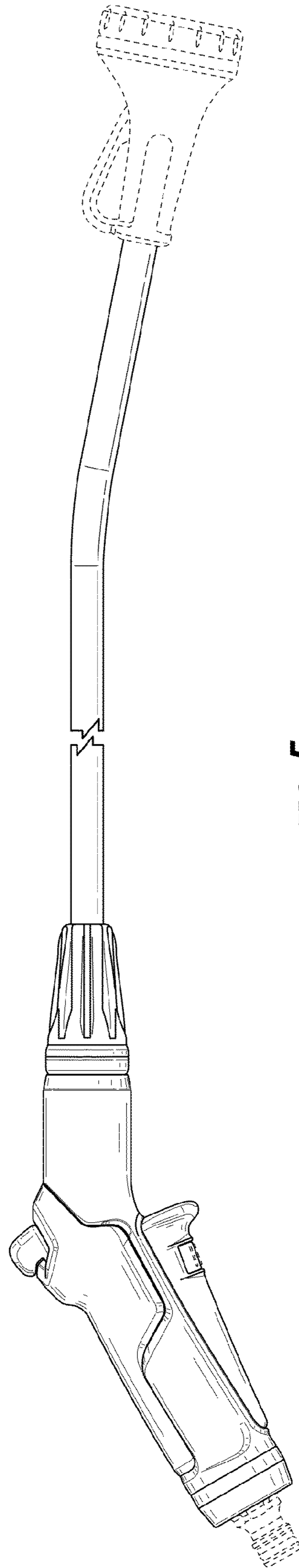


FIG. 5

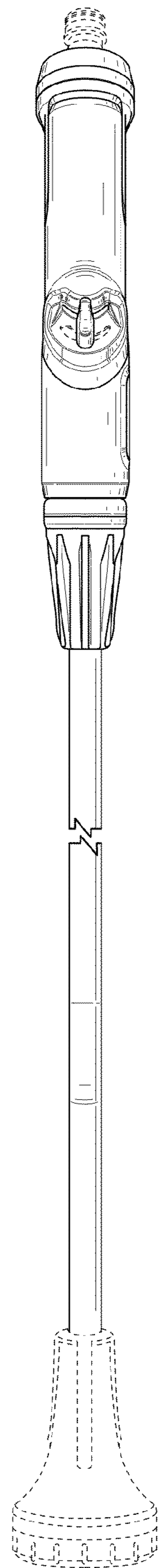


FIG. 6

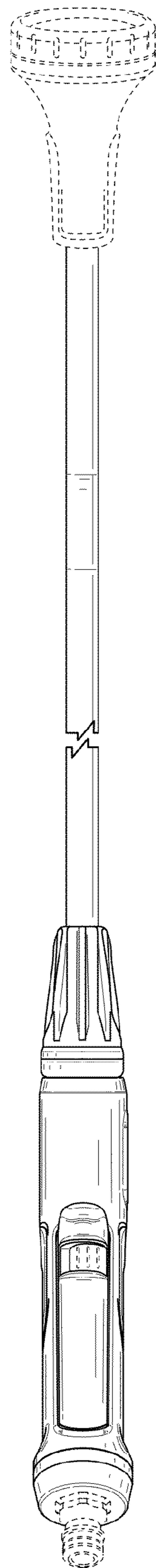


FIG. 7