



US00D747440S

(12) **United States Design Patent**
Näslund

(10) **Patent No.:** **US D747,440 S**
(45) **Date of Patent:** **** Jan. 12, 2016**

(54) **CLEANING NOZZLE**

(71) Applicant: **Husqvarna AB**, Huskvarna (SE)

(72) Inventor: **Jens Näslund**, Johanneshov (SE)

(73) Assignee: **HUSQVARNA AB**, Huskvarna (SE)

(**) Term: **14 Years**

(21) Appl. No.: **29/500,498**

(22) Filed: **Aug. 26, 2014**

(30) **Foreign Application Priority Data**

Mar. 13, 2014 (EM) 002424465-0030

(51) **LOC (10) Cl.** **23-01**

(52) **U.S. Cl.**
USPC **D23/213; D23/226**

(58) **Field of Classification Search**
USPC D23/213, 223, 226; 239/525-6, 530,
239/532, 589, 602, 459
CPC B05B 9/01; B05B 12/002; B05B 7/02;
B05B 7/025
See application file for complete search history.

(56) **References Cited**

U.S. PATENT DOCUMENTS

D415,554 S * 10/1999 Hui-Chen D23/213
D473,284 S * 4/2003 Pong D23/213

D479,573 S * 9/2003 Chen D23/213
D482,428 S * 11/2003 Fulwider D23/213
D501,913 S * 2/2005 Chen D23/213
D604,801 S * 11/2009 Zore D23/213
D702,810 S * 4/2014 Stednitz D23/213
D704,799 S * 5/2014 Crawley D23/213

* cited by examiner

Primary Examiner — Robin V Webster

(74) *Attorney, Agent, or Firm* — Nelson Mullins Riley & Scarborough LLP

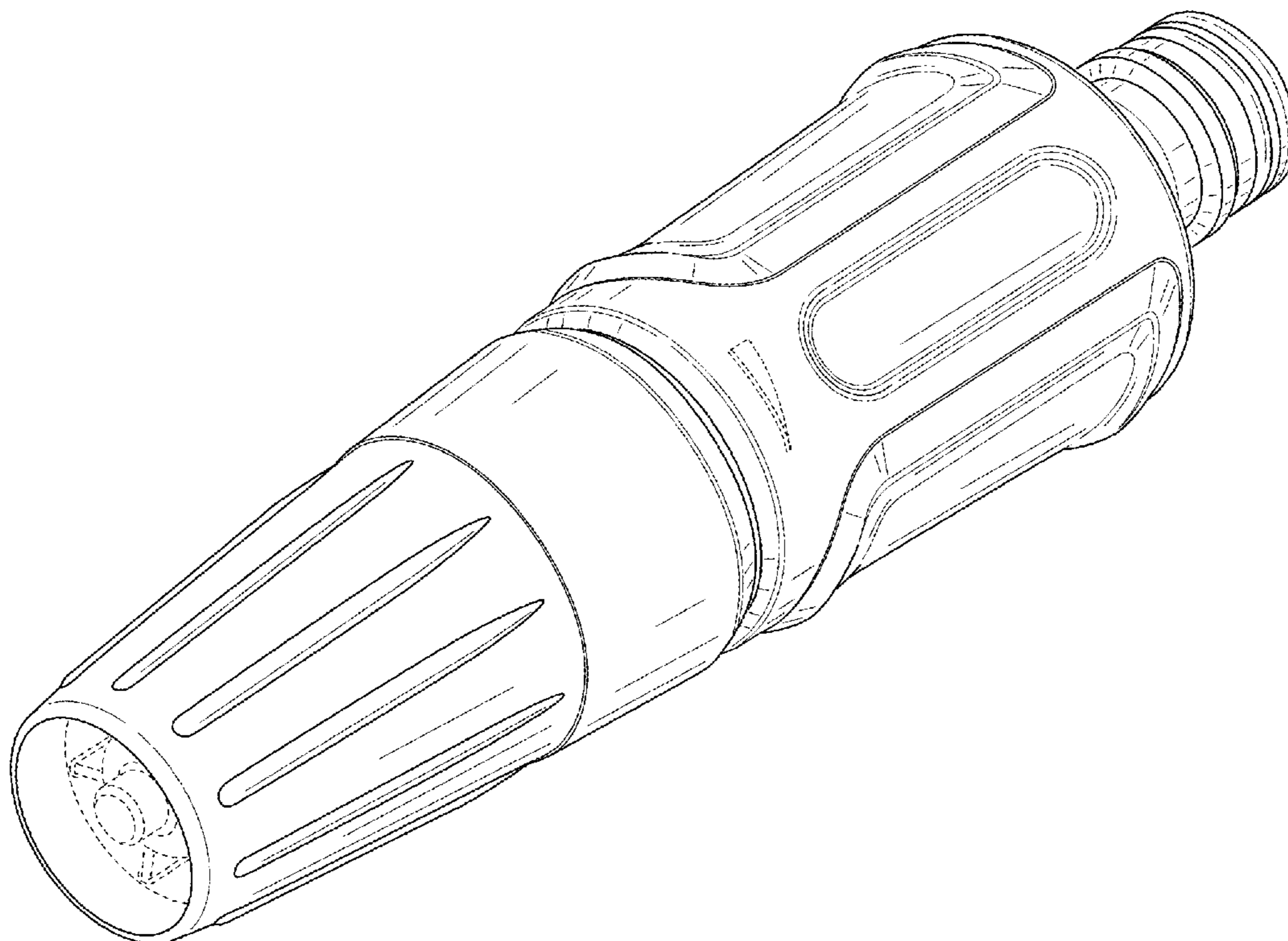
(57) **CLAIM**

The ornamental design for a cleaning nozzle, as shown and described.

DESCRIPTION

FIG. 1 is a perspective view of a cleaning nozzle in accordance with an embodiment of the present invention; FIG. 2 is a top view of the cleaning nozzle of FIG. 1; FIG. 3 is a left side view of the cleaning nozzle of FIG. 1; FIG. 4 is a bottom view of the cleaning nozzle of FIG. 1; FIG. 5 is a right side view of the cleaning nozzle of FIG. 1; FIG. 6 is a back view of the cleaning nozzle of FIGS. 1; and, FIG. 7 is a front view of the cleaning nozzle of FIG. 1. The broken lines of FIGS. 1-7 are illustrative of the visible environmental structure of the cleaning nozzle and form no part of the claimed design.

1 Claim, 6 Drawing Sheets



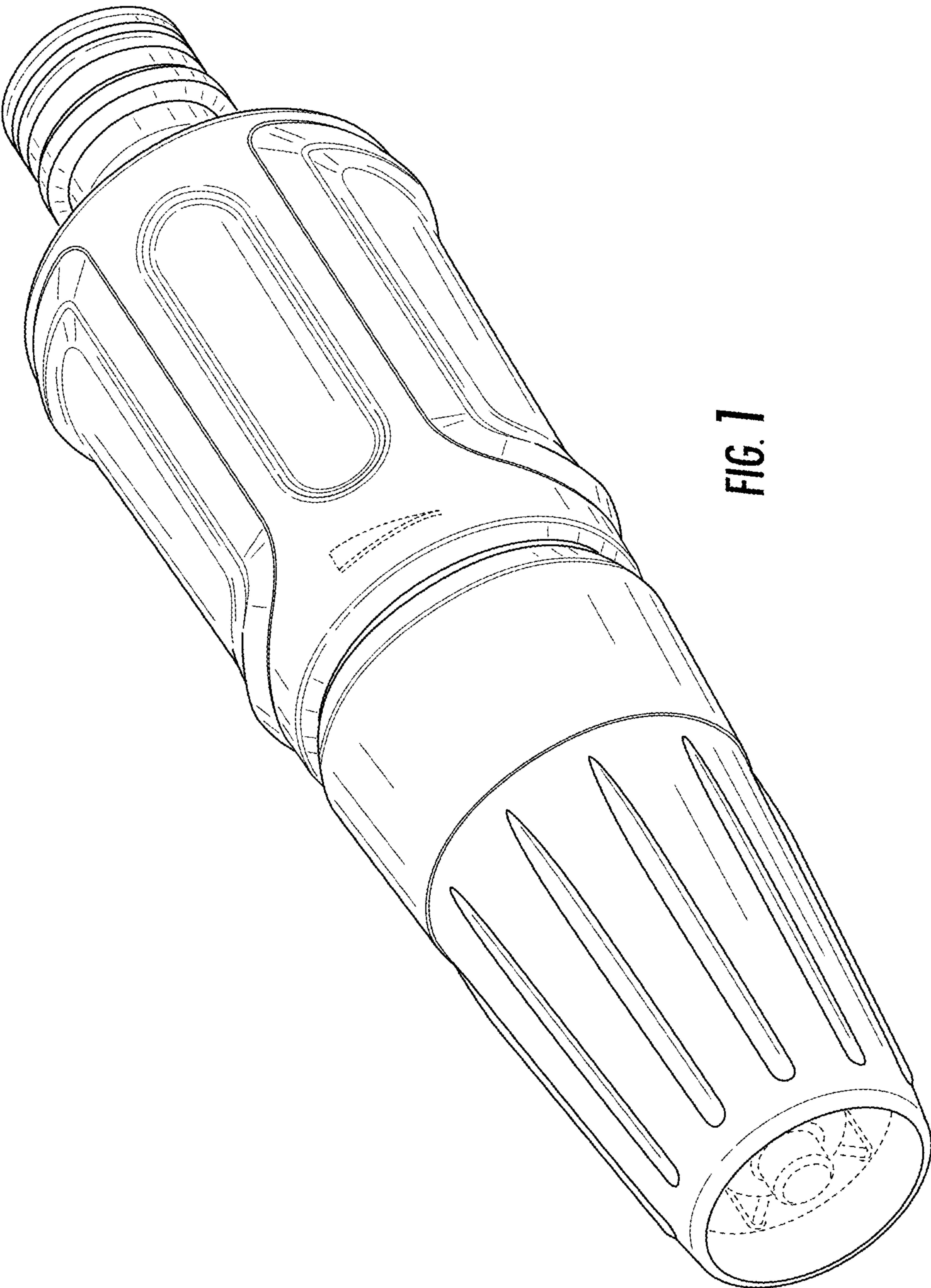


FIG. 1

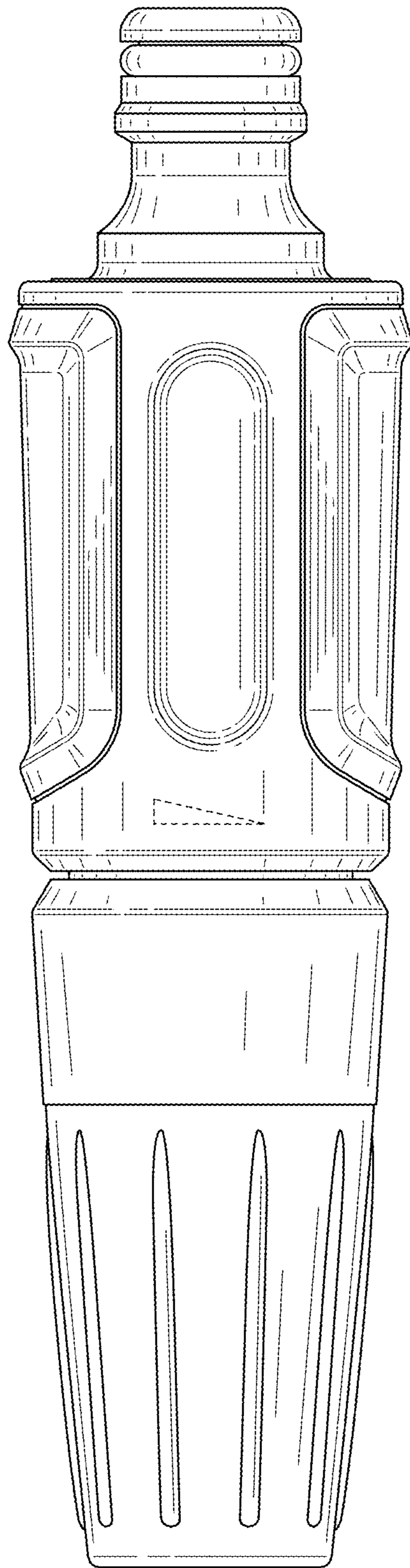


FIG. 2

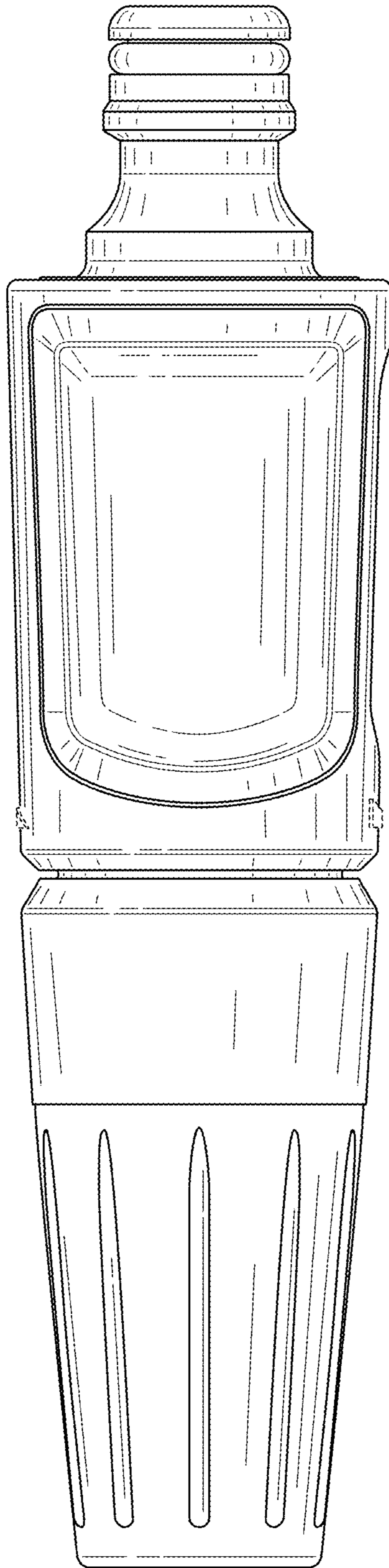


FIG. 3

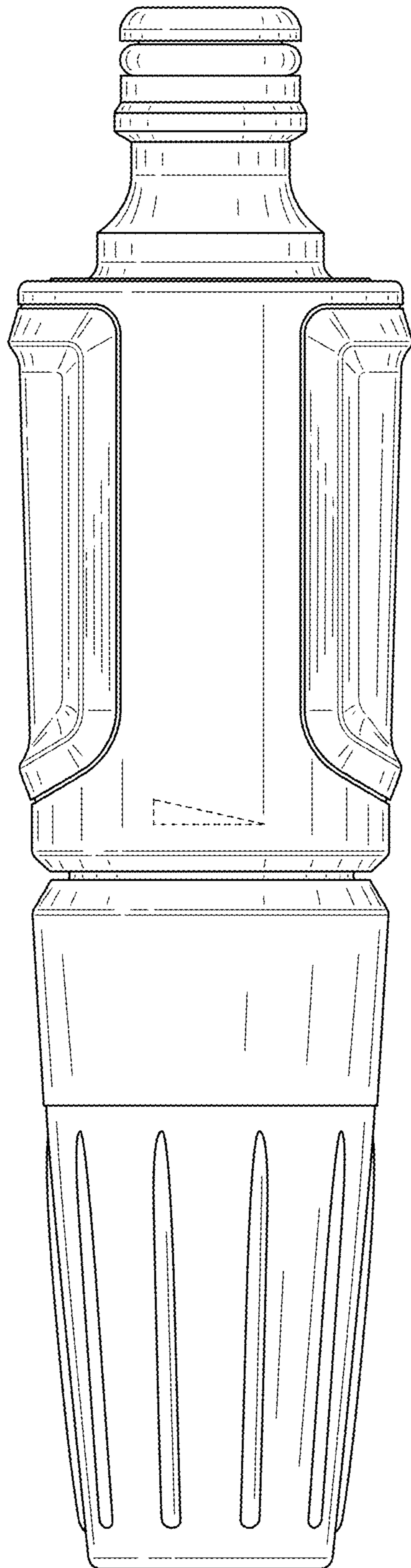


FIG. 4

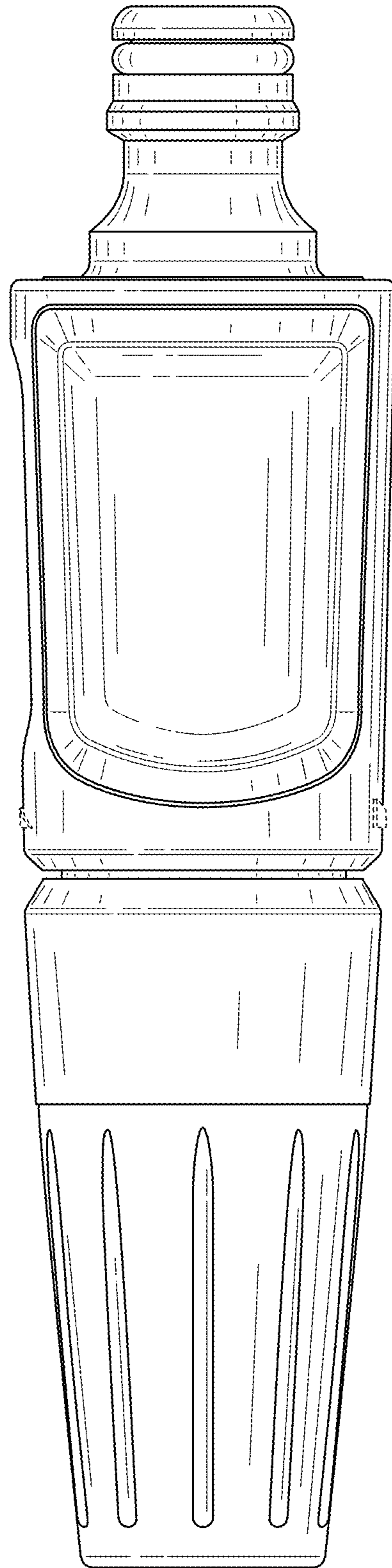


FIG. 5

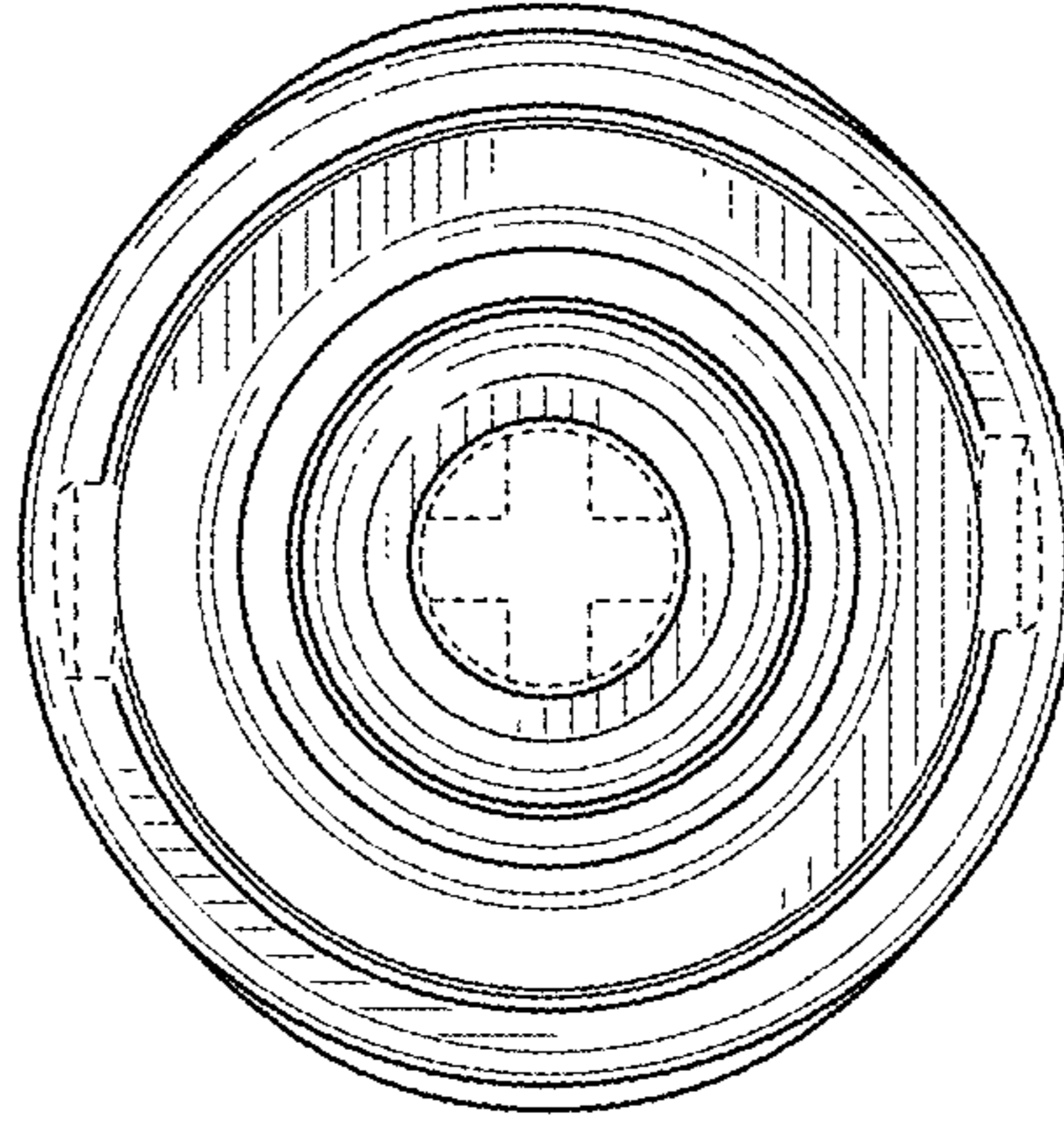


FIG. 6

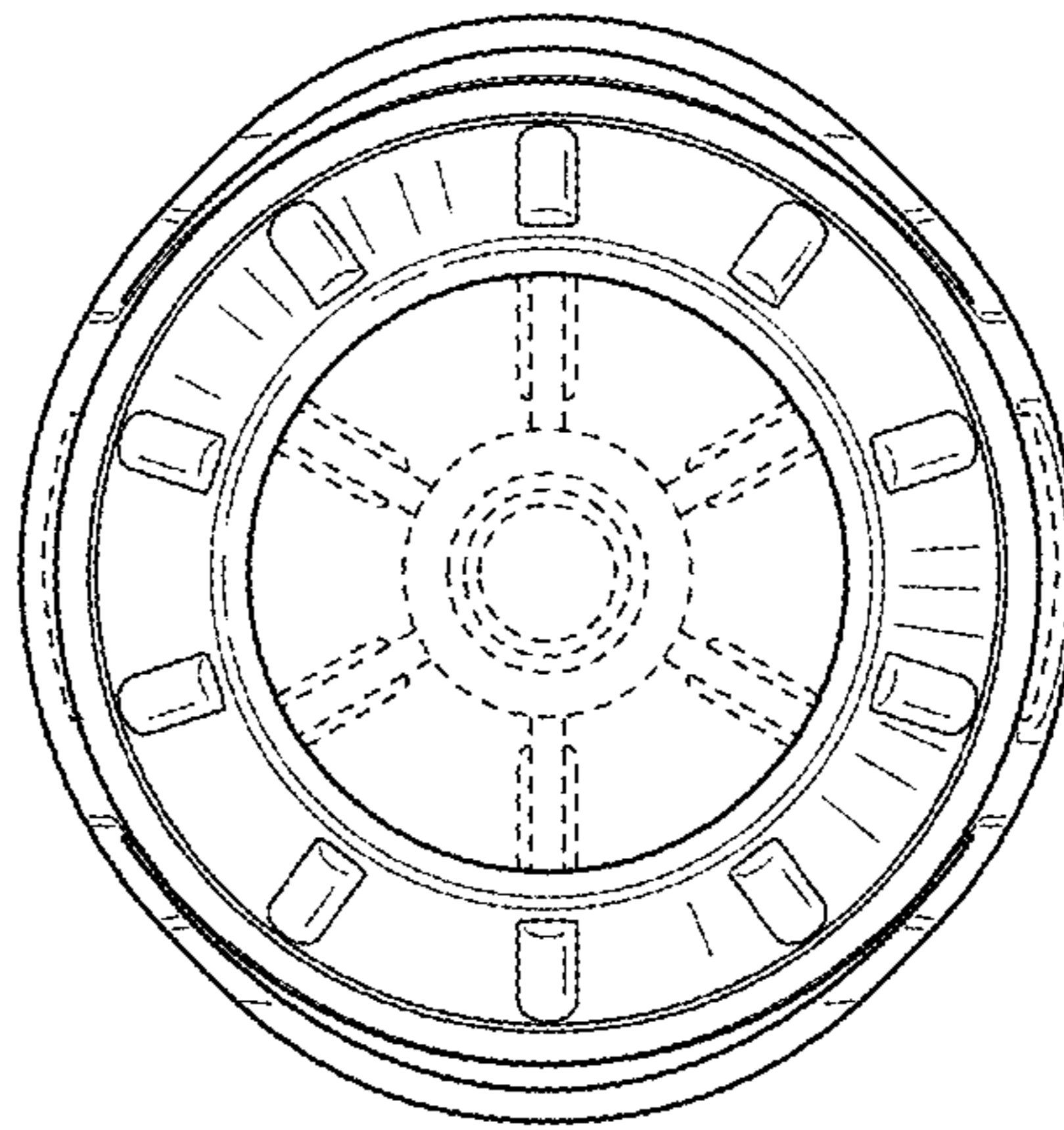


FIG. 7

UNITED STATES PATENT AND TRADEMARK OFFICE
CERTIFICATE OF CORRECTION

PATENT NO. : D747,440 S
APPLICATION NO. : 29/500498
DATED : January 12, 2016
INVENTOR(S) : Jens Näslund

Page 1 of 1

It is certified that error appears in the above-identified patent and that said Letters Patent is hereby corrected as shown below:

Title Page, item (57), Description “FIG. 6 is a back view of the cleaning nozzle of FIGS. 1; and,”
should read -- FIG. 6 is a back view of the cleaning nozzle of FIG. 1; and, --.

Signed and Sealed this
Thirty-first Day of May, 2016



Michelle K. Lee
Director of the United States Patent and Trademark Office