



US00D747436S

(12) **United States Design Patent**
Taboada

(10) **Patent No.:** **US D747,436 S**

(45) **Date of Patent:** **** Jan. 12, 2016**

(54) **TWIN BODY FISHING LURE**

(71) Applicant: **Keith Taboada**, Brielle, NJ (US)

(72) Inventor: **Keith Taboada**, Brielle, NJ (US)

(**) Term: **14 Years**

(21) Appl. No.: **29/496,435**

(22) Filed: **Jul. 12, 2014**

(51) **LOC (10) Cl.** **22-05**

(52) **U.S. Cl.**
USPC **D22/133**

(58) **Field of Classification Search**
USPC D22/126–133; 43/42.06, 43.39, 42.29,
43/42.27, 42.47, 42.12, 42.14, 42.28,
43/42.24, 35, 42.45, 42.37, 43.13, 42.31,
43/42.22, 17.6, 42.26, 42.09
See application file for complete search history.

(56) **References Cited**

U.S. PATENT DOCUMENTS

D115,571 S *	7/1939	Strite	43/42.45
D522,607 S *	6/2006	King	D22/133
D550,323 S *	9/2007	Sakai	D22/131
D676,100 S *	2/2013	Cook, Jr.	D22/133

D676,521 S *	2/2013	Cook, Jr.	D22/133
D692,521 S *	10/2013	Vainio	D22/133
D710,483 S *	8/2014	Cook, Jr.	D22/133

* cited by examiner

Primary Examiner — Catheri Oliver-Garcia

(57) **CLAIM**

The ornamental design for a twin body fishing lure, as shown and described.

DESCRIPTION

FIG. 1 is a perspective view of a twin body fishing lure. The dashed lines shown in the center of the lure indicate that no particular length is claimed.

FIG. 2 is a top view of the twin body fishing lure of FIG. 1, the opposing bottom view being a mirror-image thereof.

FIG. 3 is a rear view of the twin body fishing lure of FIG. 1.

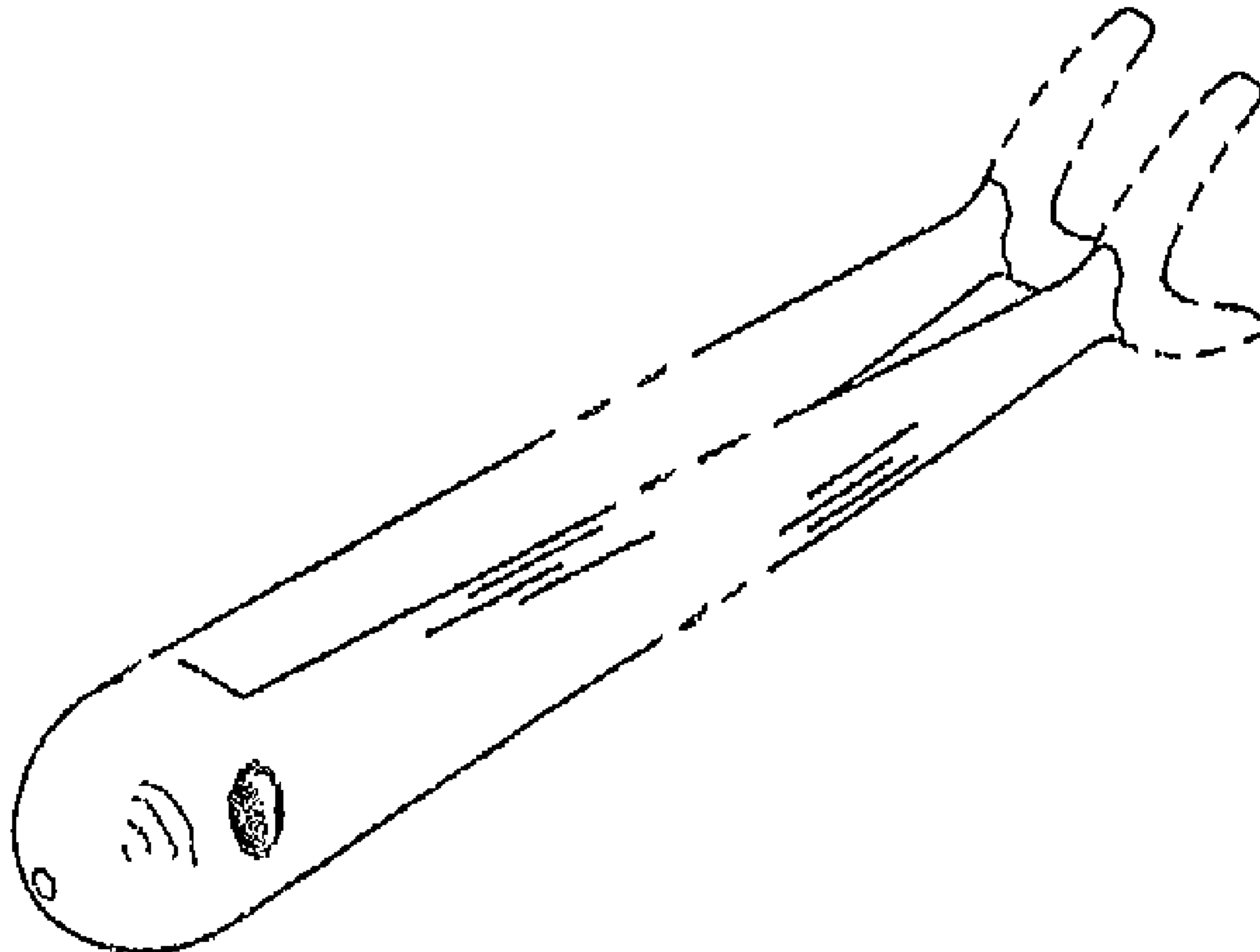
FIG. 4 is a side view of the twin body fishing lure of FIG. 1, the opposing side view being a mirror-image thereof.

FIG. 5 is a front view of the twin body fishing lure of FIG. 1. The opposing side elevation view is a mirror image; and,

FIG. 6 is an perspective view of a twin body fishing lure illustrating another type of tail, the tail note being part of the claimed design.

The broken lines and striping in the Figures form no part of the claimed design.

1 Claim, 3 Drawing Sheets



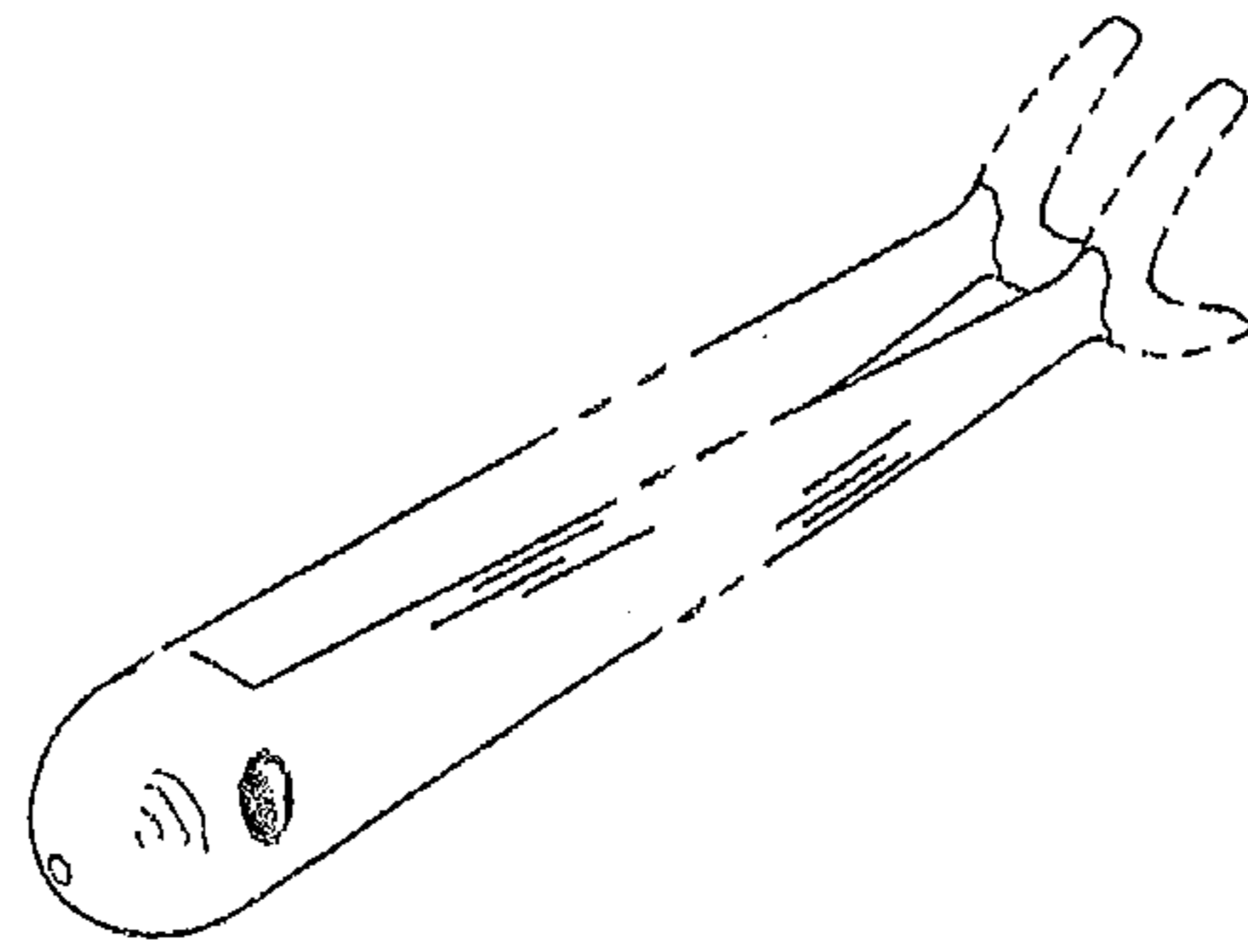


FIG. 1

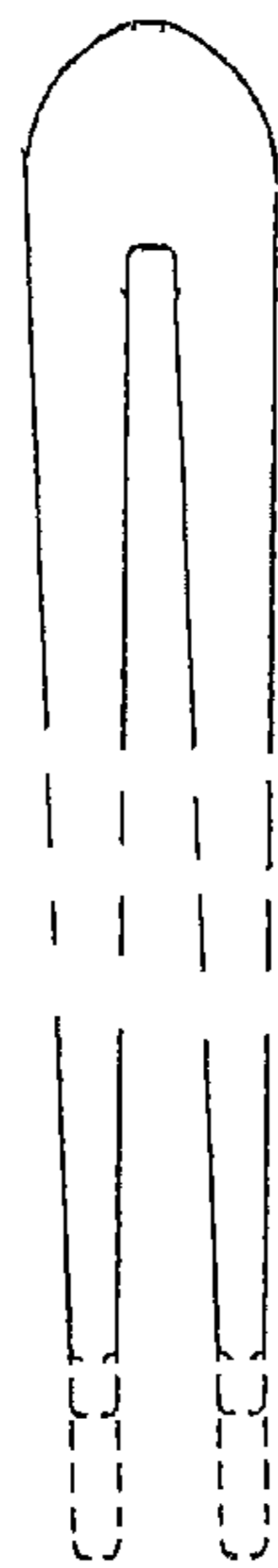


FIG. 2

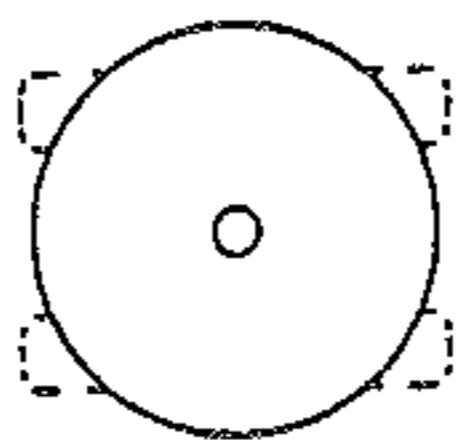


FIG. 5

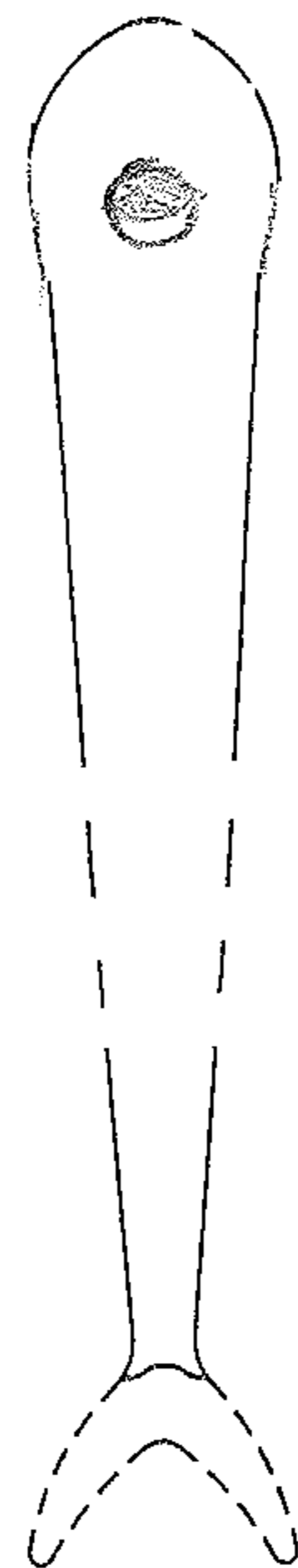


FIG. 4



FIG. 3

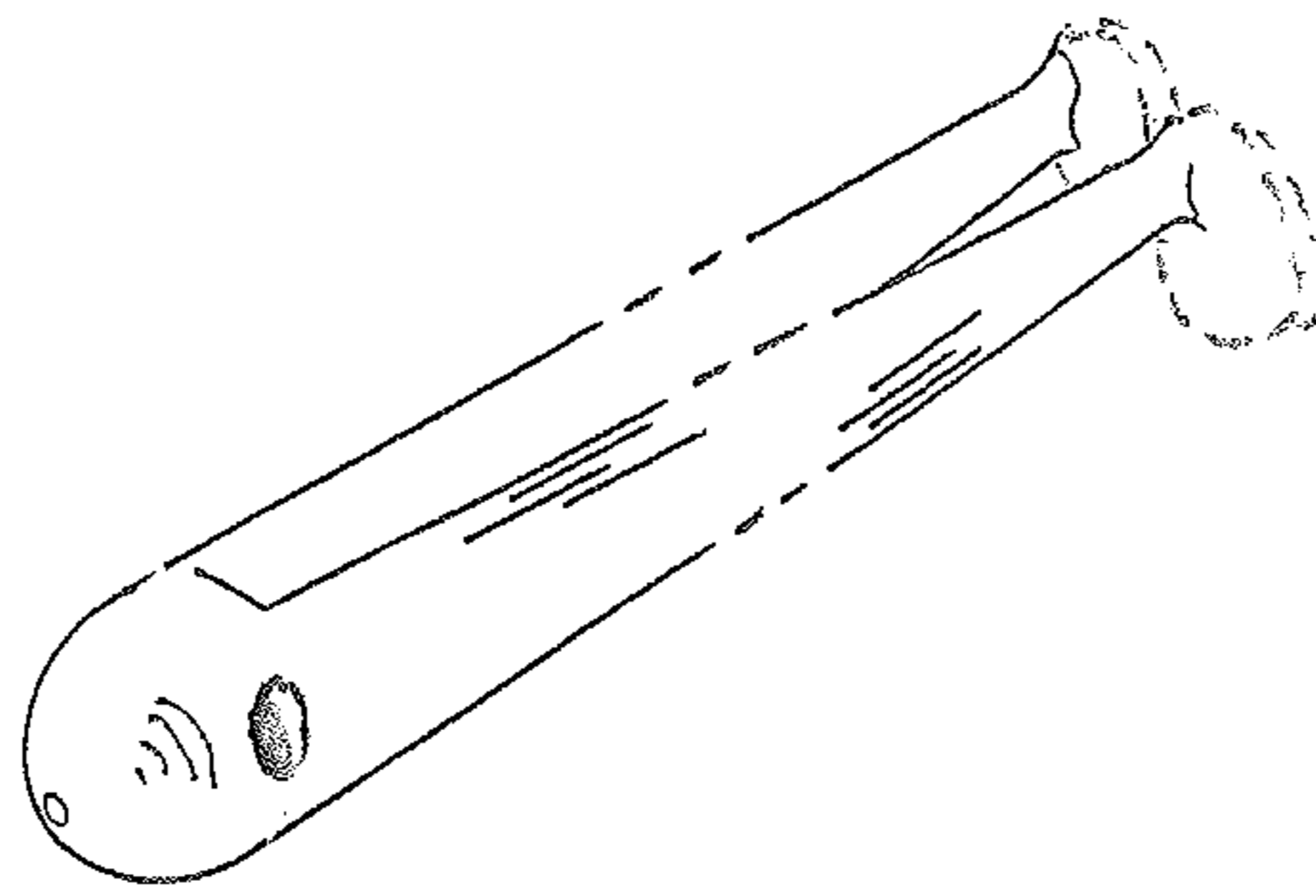


FIG. 6