



US00D747432S

(12) **United States Design Patent**
Cheng et al.

(10) **Patent No.:** **US D747,432 S**
(45) **Date of Patent:** **** Jan. 12, 2016**

(54) **ONE HAND OPERATIONAL SIGHT DEVICE**

(71) Applicants: **Carson Cheng**, City of Industry, CA (US); **Jason Michael Cheng**, City of Industry, CA (US)

(72) Inventors: **Carson Cheng**, City of Industry, CA (US); **Jason Michael Cheng**, City of Industry, CA (US)

(73) Assignee: **NcSTAR, Inc.**, City of Industry, CA (US)

(**) Term: **14 Years**

(21) Appl. No.: **29/498,061**

(22) Filed: **Jul. 30, 2014**

(51) **LOC (10) Cl.** **22-01**

(52) **U.S. Cl.**
USPC **D22/109**

(58) **Field of Classification Search**
USPC D22/108–109
CPC F41G 1/00; F41G 1/01; F41G 1/02; F41G 1/06; F41G 1/065; F41G 1/08; F41G 1/10; F41G 1/12; F41G 1/14; F41G 1/30; F41G 1/32; F41G 1/38; F41G 1/40; F41G 1/42; F41G 1/44; F41G 1/46; F41G 1/383; F41G 1/387; F41G 1/393; F41G 3/00; F41G 3/005; F41G 3/02; F41G 3/04; F41G 3/06; F41G 3/14; F41G 11/002; F41G 11/003; F41G 11/004; F41G 11/005

See application file for complete search history.

(56) **References Cited**

U.S. PATENT DOCUMENTS

7,243,454	B1 *	7/2007	Cahill	F41C 23/12
					42/72
7,845,105	B1 *	12/2010	Cahill	F41C 23/16
					200/86 R
2005/0243542	A1 *	11/2005	Kim	F41G 1/34
					362/110
2007/0235298	A1 *	10/2007	Kim	F41G 1/34
					200/18
2014/0245650	A1 *	9/2014	Abst	F41C 27/00
					42/84

* cited by examiner

Primary Examiner — Michael A Pratt

(74) *Attorney, Agent, or Firm* — Raymond Y. Chan; David and Raymond Patent Firm

(57) **CLAIM**

The ornamental design for a one hand operational sight device, as shown and described.

DESCRIPTION

FIG. 1 is a perspective view of a one hand operational sight device showing my new design.

FIG. 2 is a front view of the handle sight.

FIG. 3 is a rear view of the handle sight.

FIG. 4 is a left view of the handle sight.

FIG. 5 is a right view of the handle sight.

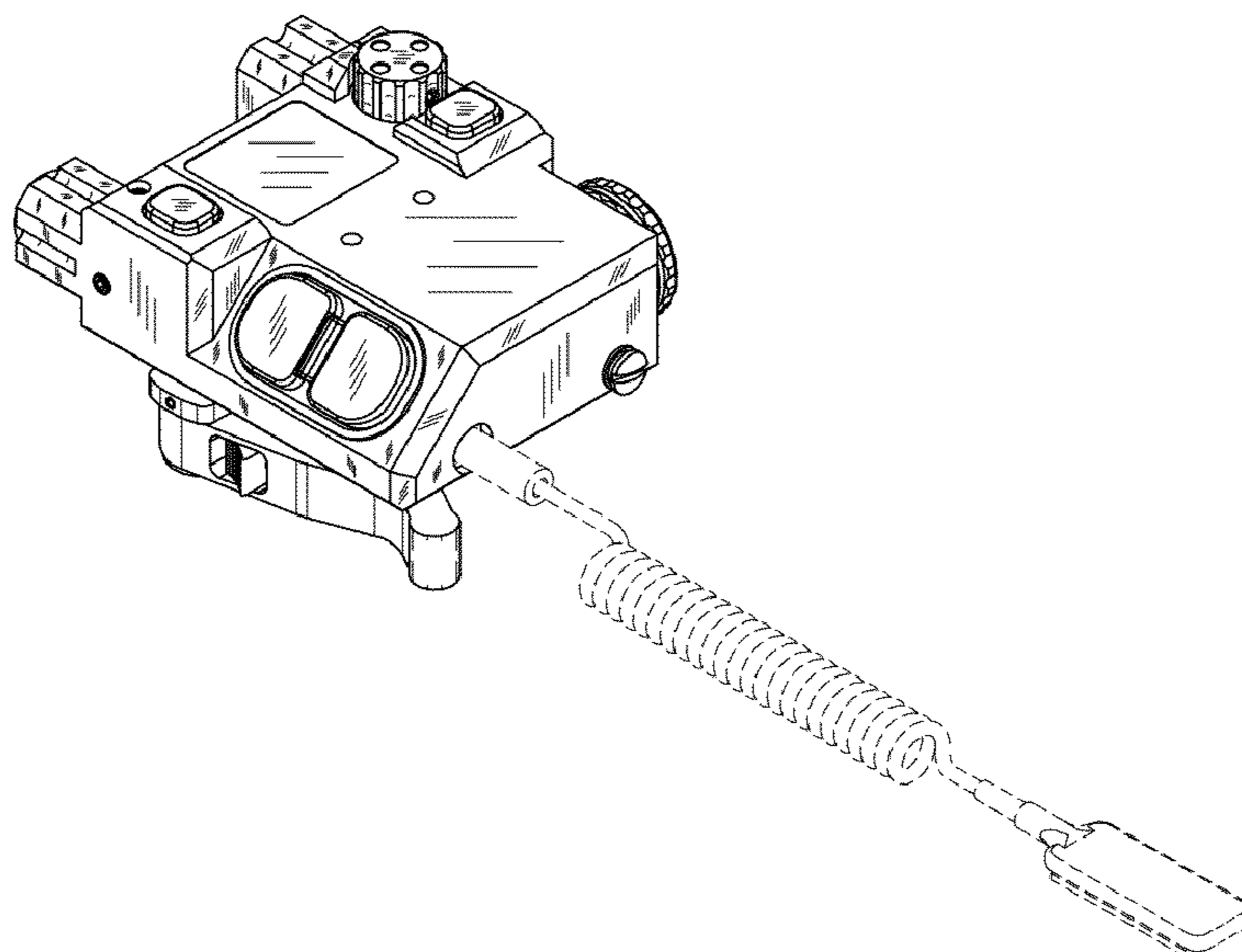
FIG. 6 is a top view of the handle sight.

FIG. 7 is a bottom view of the handle sight; and,

FIG. 8 is another perspective view thereof.

The broken line portion of the figure drawings is included to show unclaimed subject matter only and forms no part of the claimed design.

1 Claim, 5 Drawing Sheets



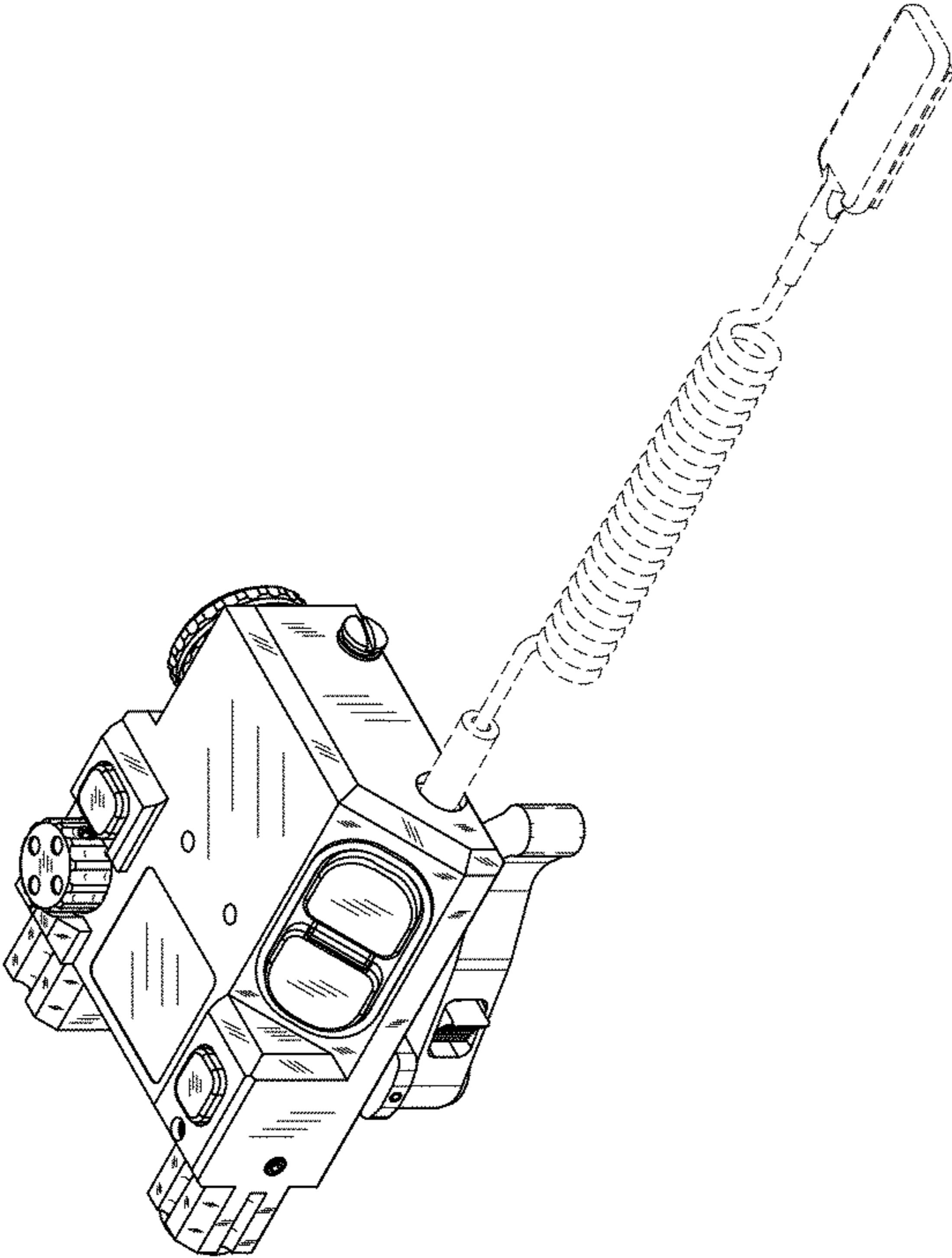


FIG.1

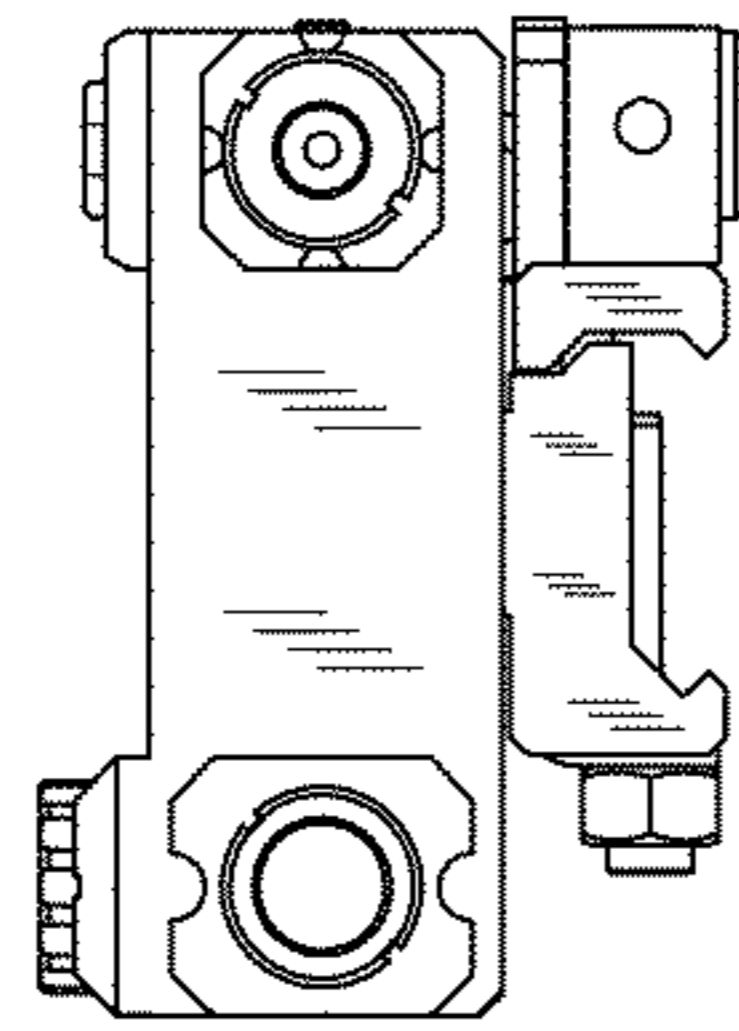


FIG.3

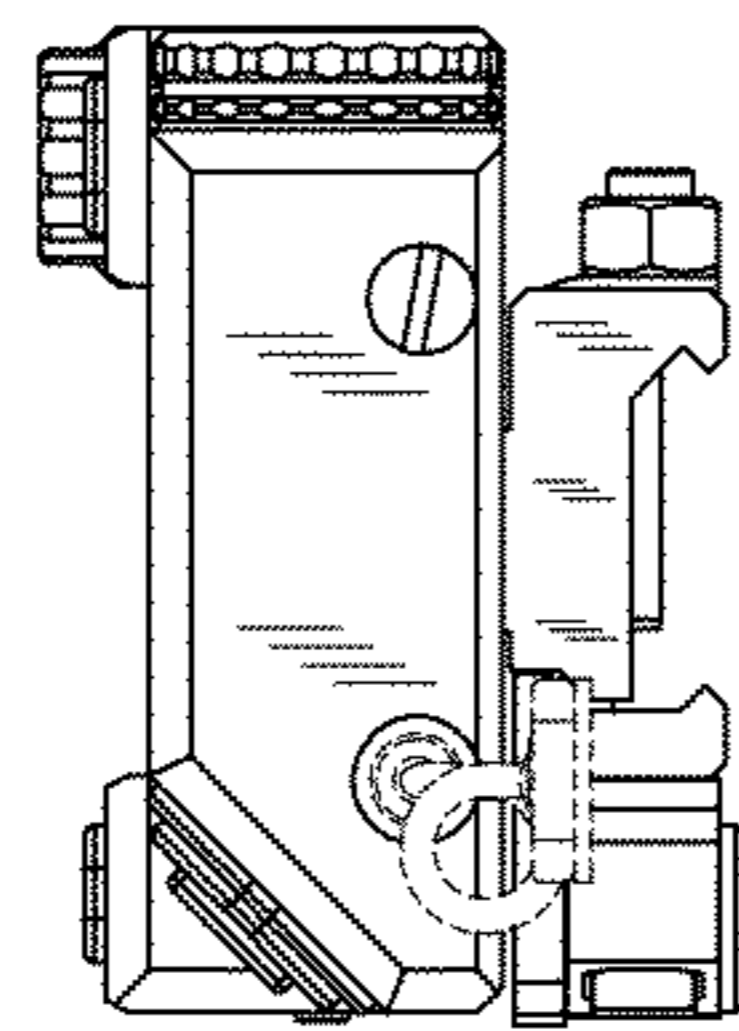


FIG.2

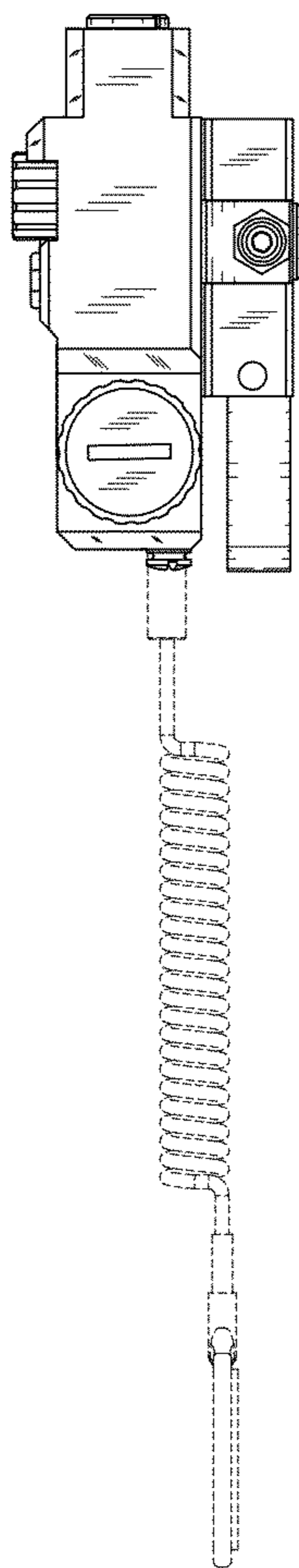


FIG. 4

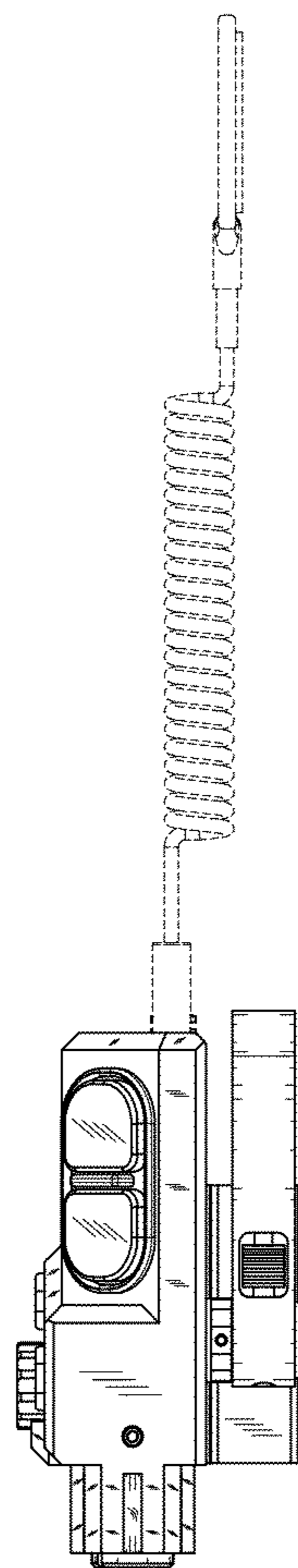


FIG. 5

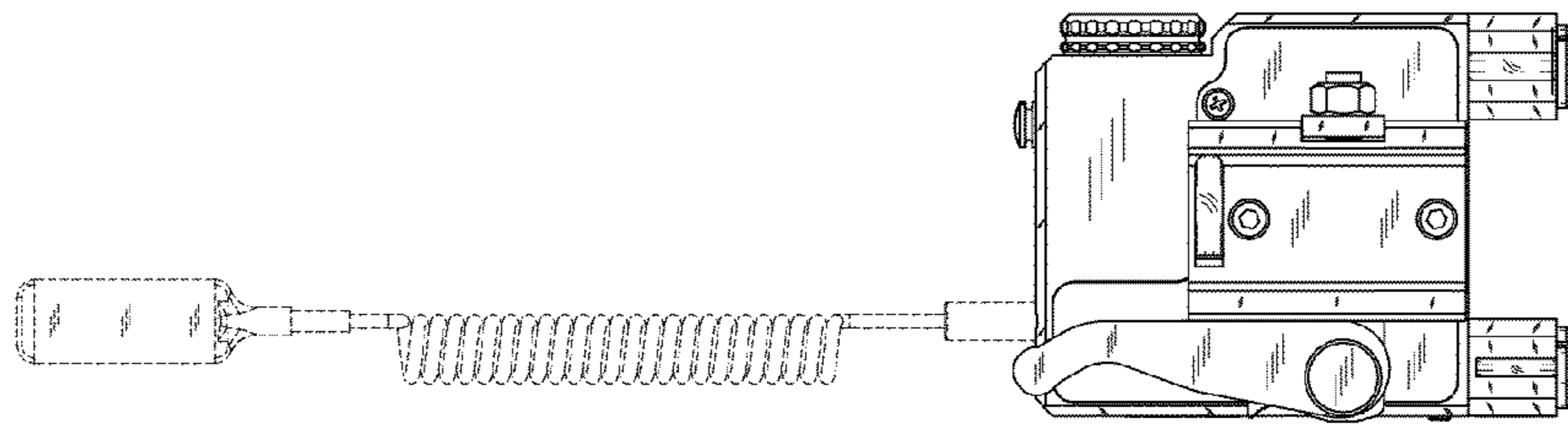


FIG.7

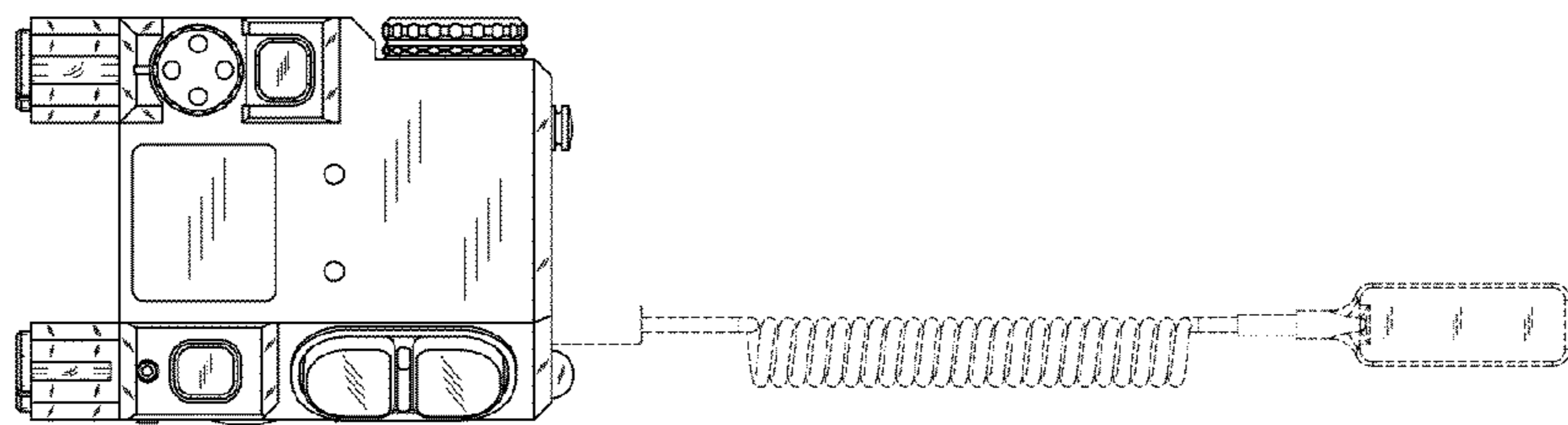


FIG.6

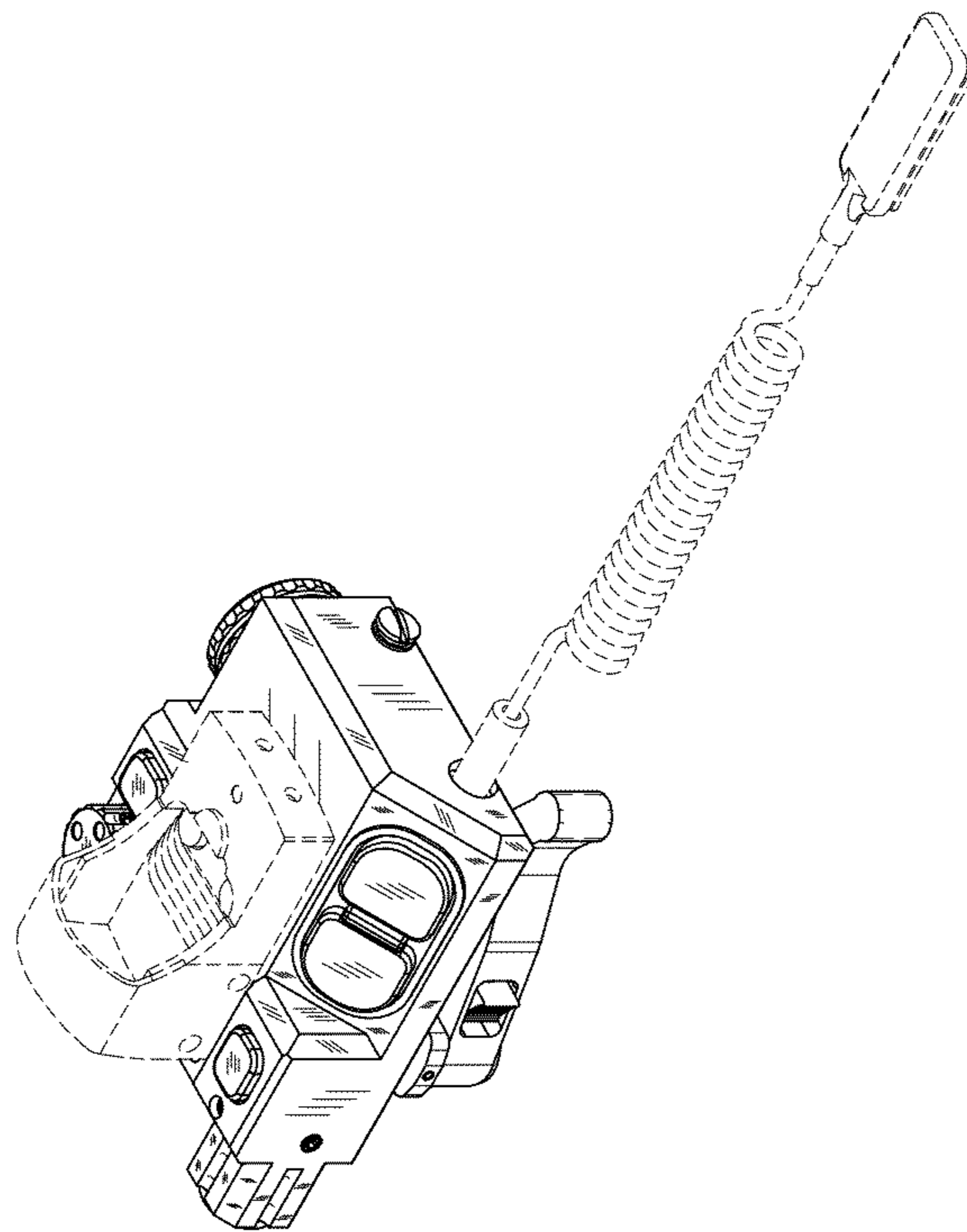


FIG.8