



US00D747431S

(12) **United States Design Patent**  
**Cheng et al.**

(10) **Patent No.:** **US D747,431 S**  
(45) **Date of Patent:** **\*\* Jan. 12, 2016**

(54) **ONE HAND OPERATIONAL COMBO SIGHT DEVICE**

(71) Applicants: **Carson Cheng**, City of Industry, CA (US); **Jason Michael Cheng**, City of Industry, CA (US)

(72) Inventors: **Carson Cheng**, City of Industry, CA (US); **Jason Michael Cheng**, City of Industry, CA (US)

(73) Assignee: **NcSTAR, Inc.**, City of Industry, CA (US)

(\*\*) Term: **14 Years**

(21) Appl. No.: **29/496,869**

(22) Filed: **Jul. 17, 2014**

(51) **LOC (10) Cl.** ..... **22-01**

(52) **U.S. Cl.**  
USPC ..... **D22/109**

(58) **Field of Classification Search**  
USPC ..... D22/108–109; 89/111–113; 359/399, 359/823, 744; 42/104, 105, 111–113, 116, 42/120, 124–126, 127–129, 141–148, 42/133–140; 33/227, 229  
CPC ..... F41G 1/00; F41G 1/01; F41G 1/02; F41G 1/06; F41G 1/065; F41G 1/08; F41G 1/10; F41G 1/12; F41G 1/14; F41G 1/30; F41G 1/32; F41G 1/38; F41G 1/40; F41G 1/42; F41G 1/44; F41G 1/46; F41G 1/383; F41G 1/387; F41G 1/393; F41G 3/00; F41G 3/005; F41G 3/02; F41G 3/04; F41G 3/06; F41G 3/14; F41G 11/002; F41G 11/003; F41G 11/004; F41G 11/005

See application file for complete search history.

(56) **References Cited**

U.S. PATENT DOCUMENTS

D662,566	S	*	6/2012	Estes	.....	D22/109
D704,296	S	*	5/2014	Cheng	.....	D22/109
D720,034	S	*	12/2014	Cheng	.....	D22/109
D730,477	S	*	5/2015	Huynh	.....	D22/109
D737,399	S	*	8/2015	Cheng	.....	D22/109
2014/0305022	A1	*	10/2014	Chung	.....	F41G 1/16 42/113

\* cited by examiner

*Primary Examiner* — Michael A Pratt

(74) *Attorney, Agent, or Firm* — Raymond Y. Chan; David and Raymond Patent Firm

(57) **CLAIM**

The ornamental design for a one hand operational combo sight device, as shown and described.

**DESCRIPTION**

FIG. 1 is a rear perspective view of a one hand operational combo sight device showing my new design.

FIG. 2 is a left view of the one hand operational combo sight device.

FIG. 3 is a right view of the one hand operational combo sight device.

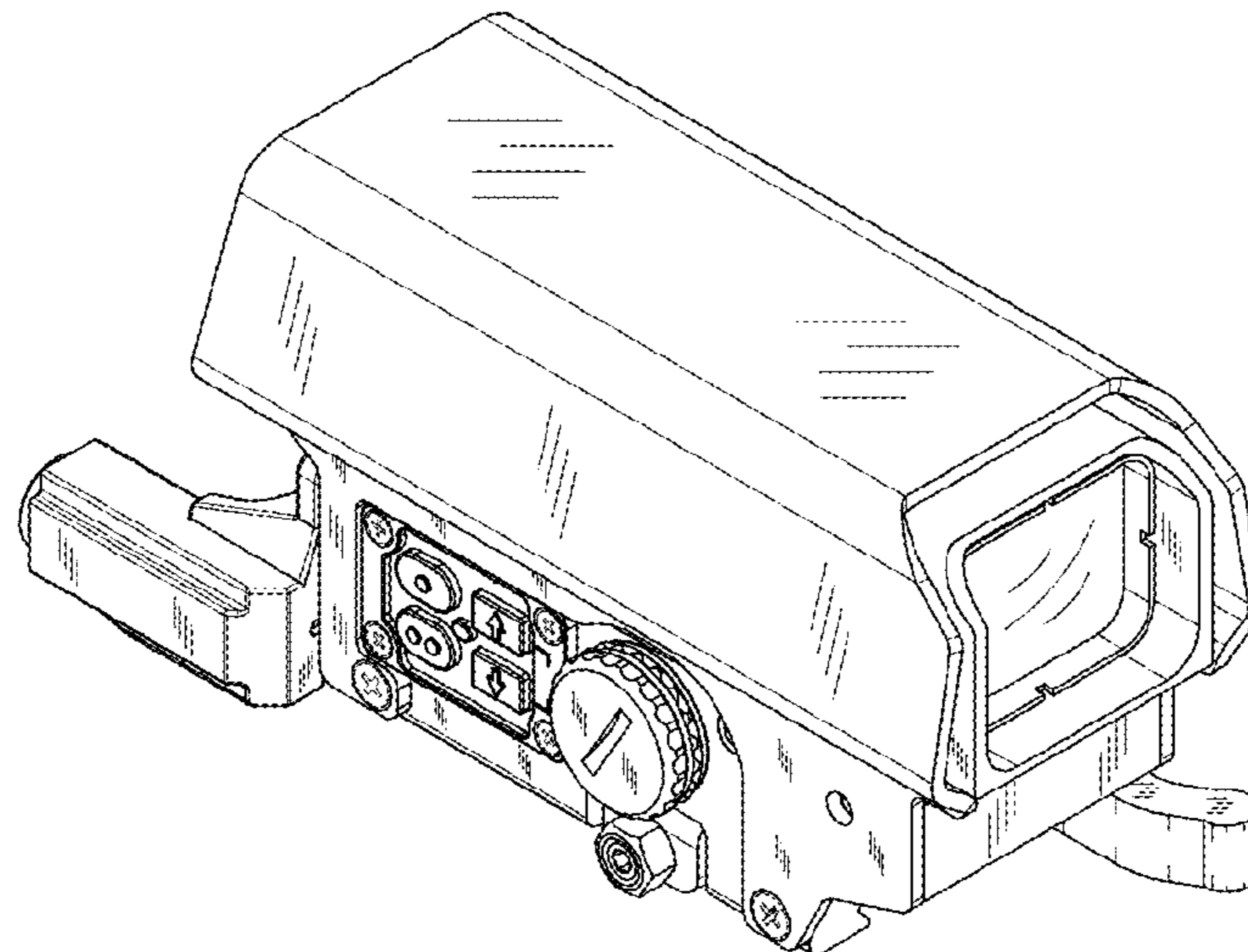
FIG. 4 is a front view of the one hand operational combo sight device.

FIG. 5 is a rear view of the one hand operational combo sight device.

FIG. 6 is a top view of the one hand operational combo sight device; and,

FIG. 7 is a bottom view of the one hand operational combo sight device.

**1 Claim, 4 Drawing Sheets**



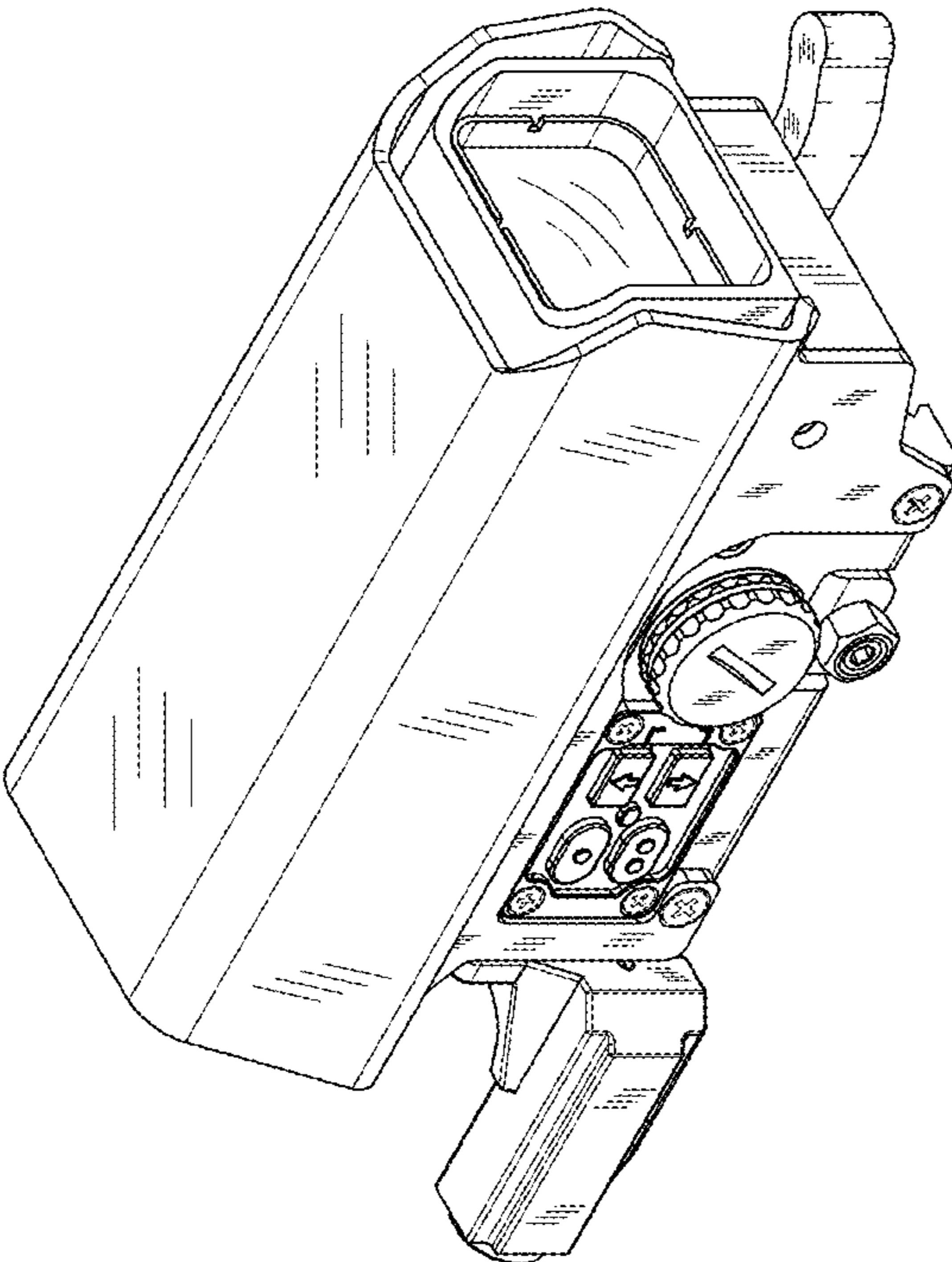


FIG.1

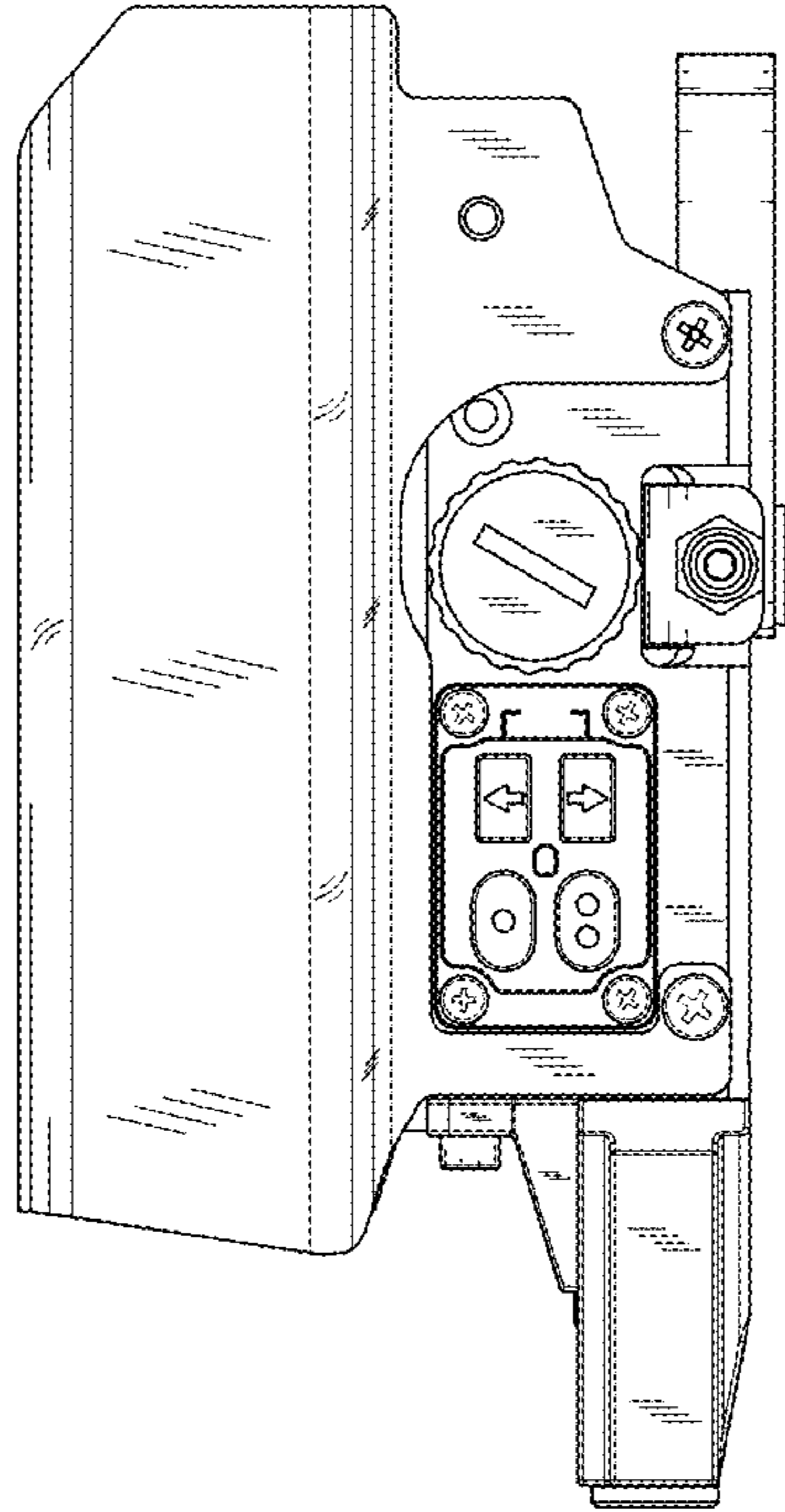


FIG.3

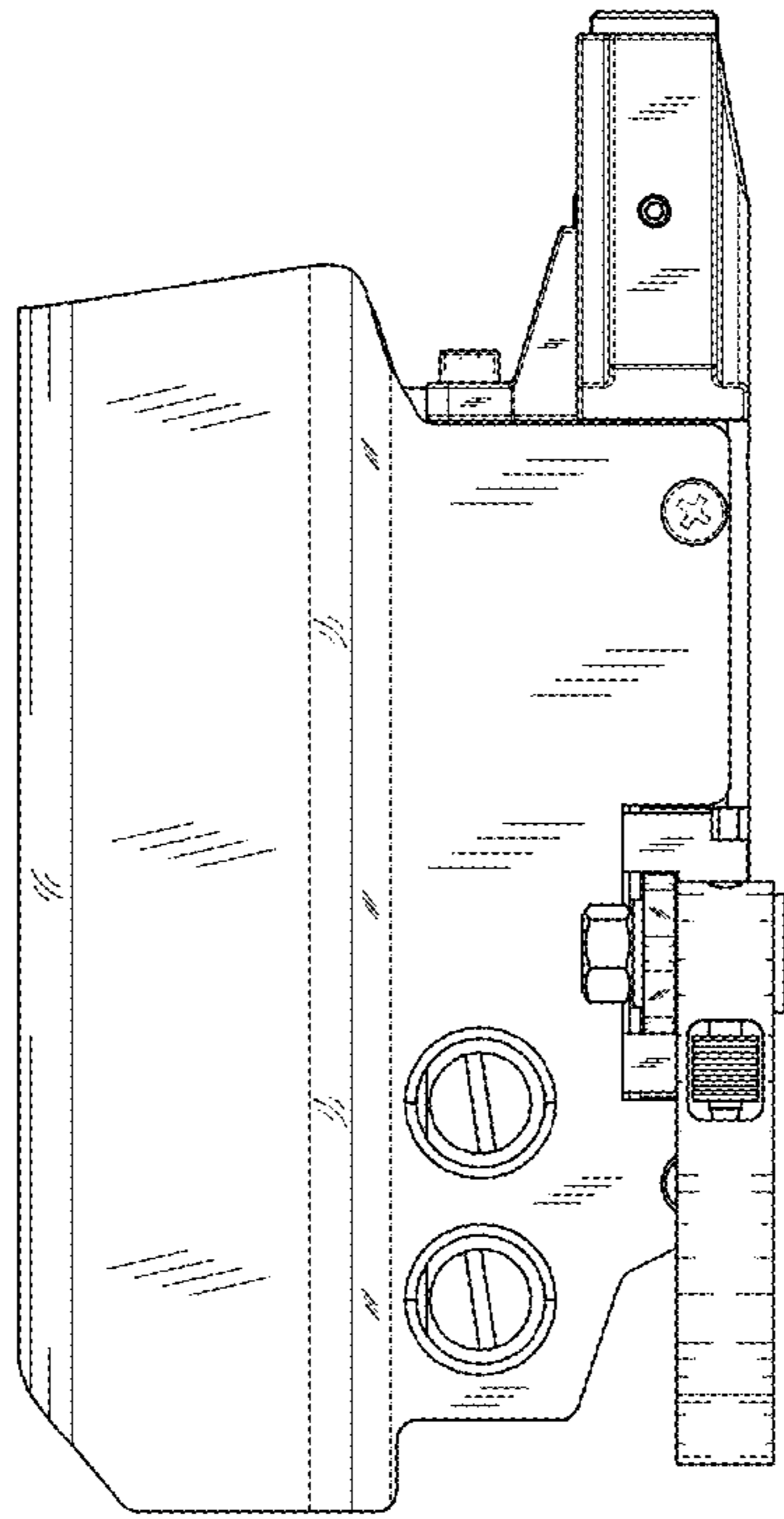


FIG.2

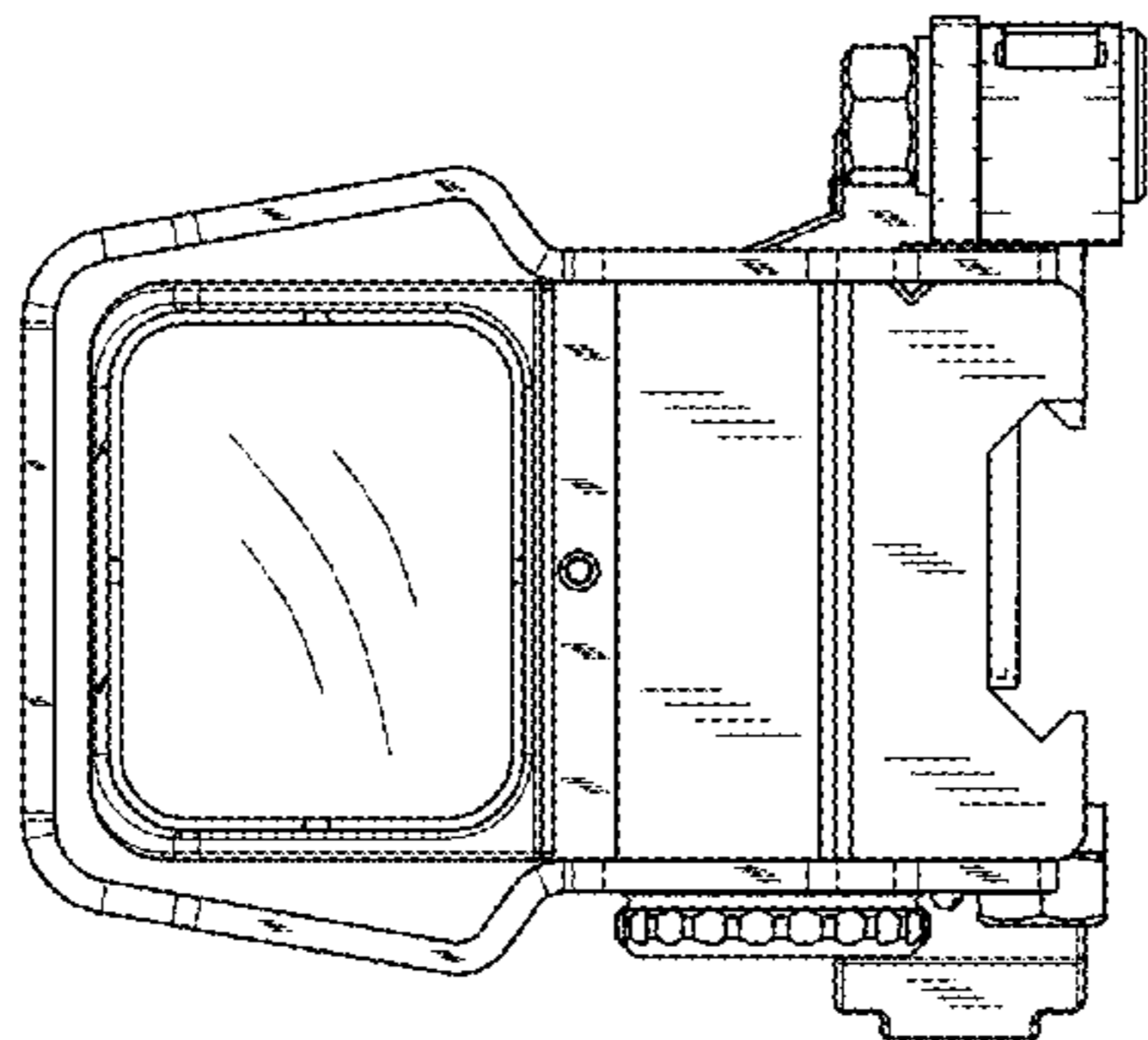


FIG.5

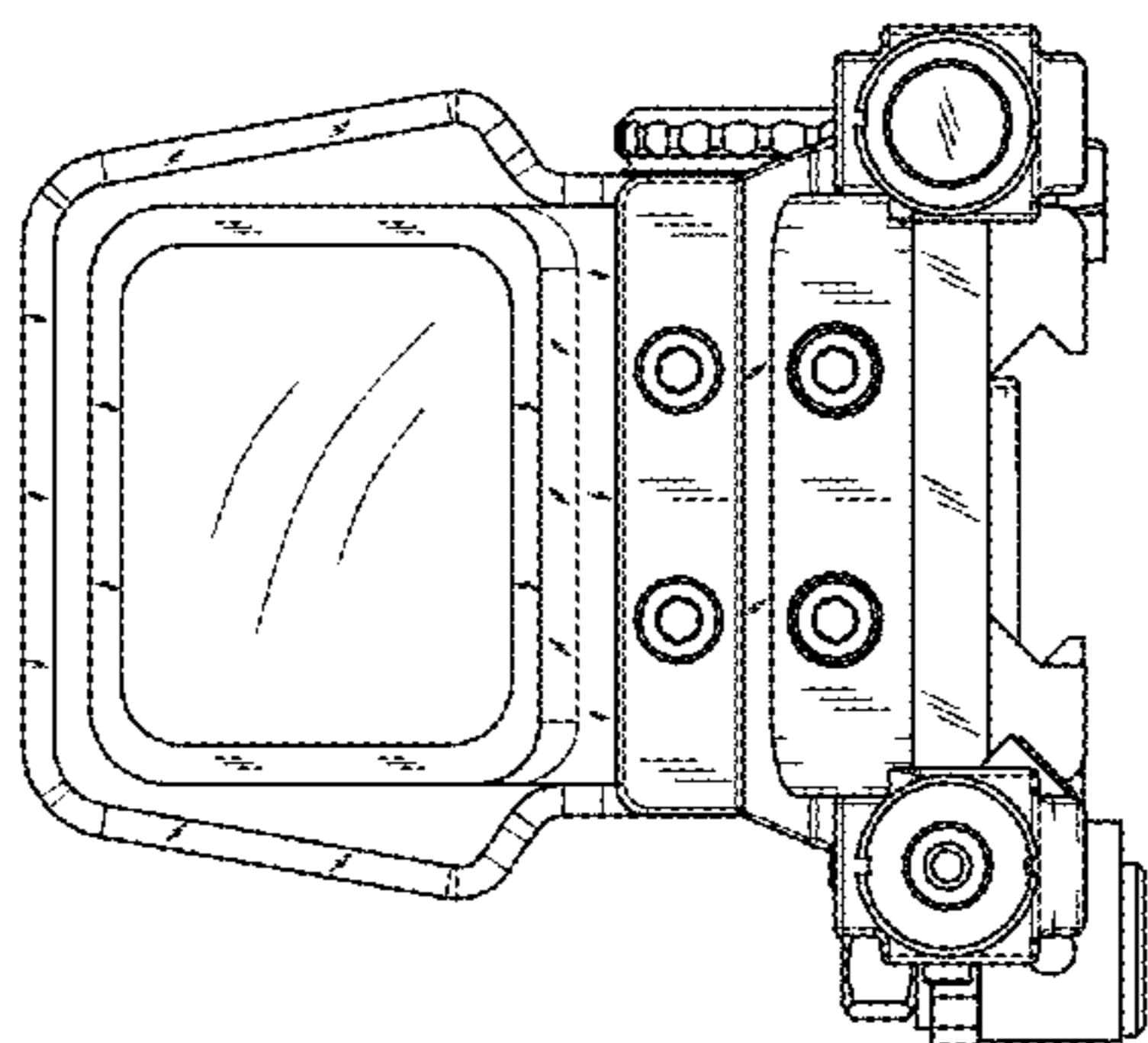


FIG.4

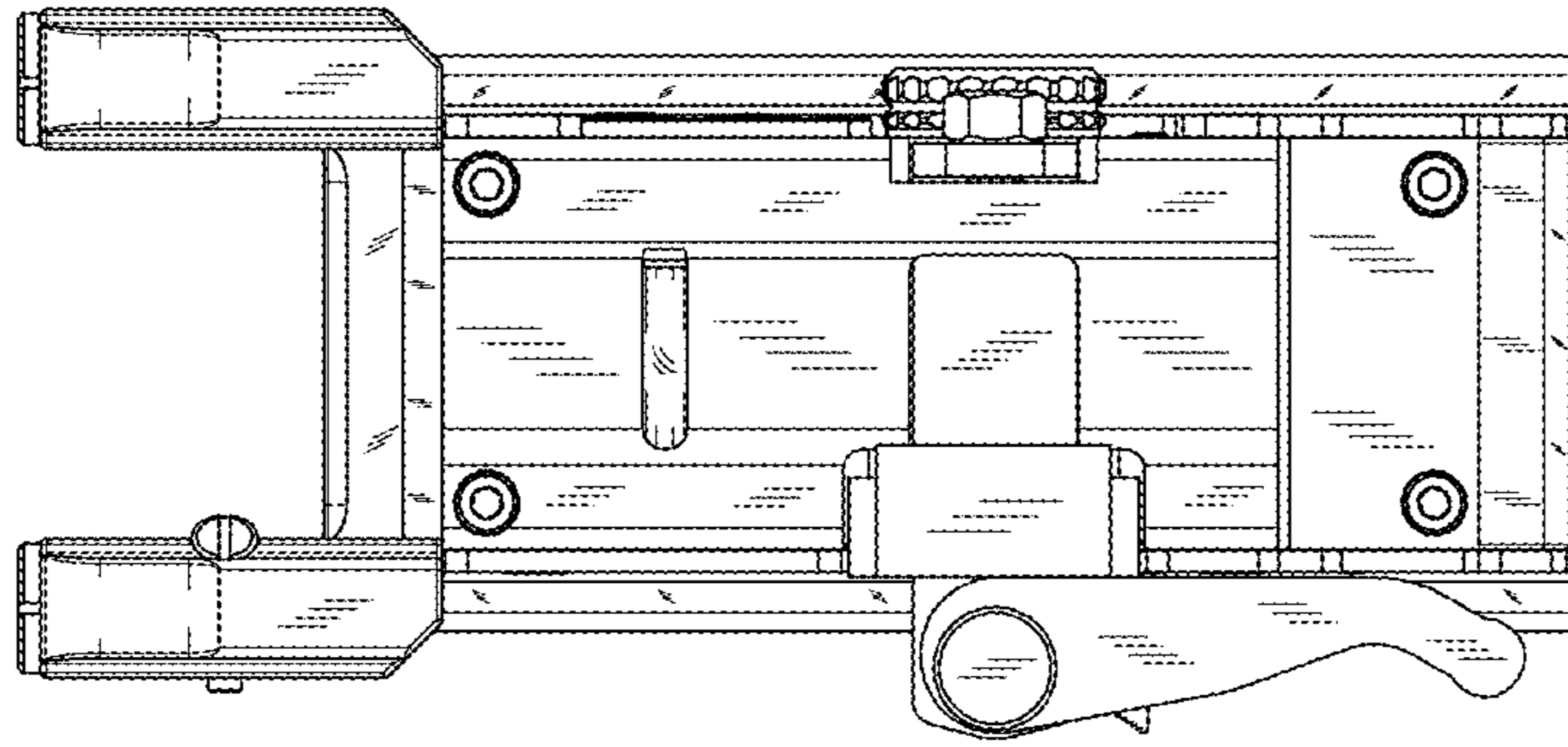


FIG.7

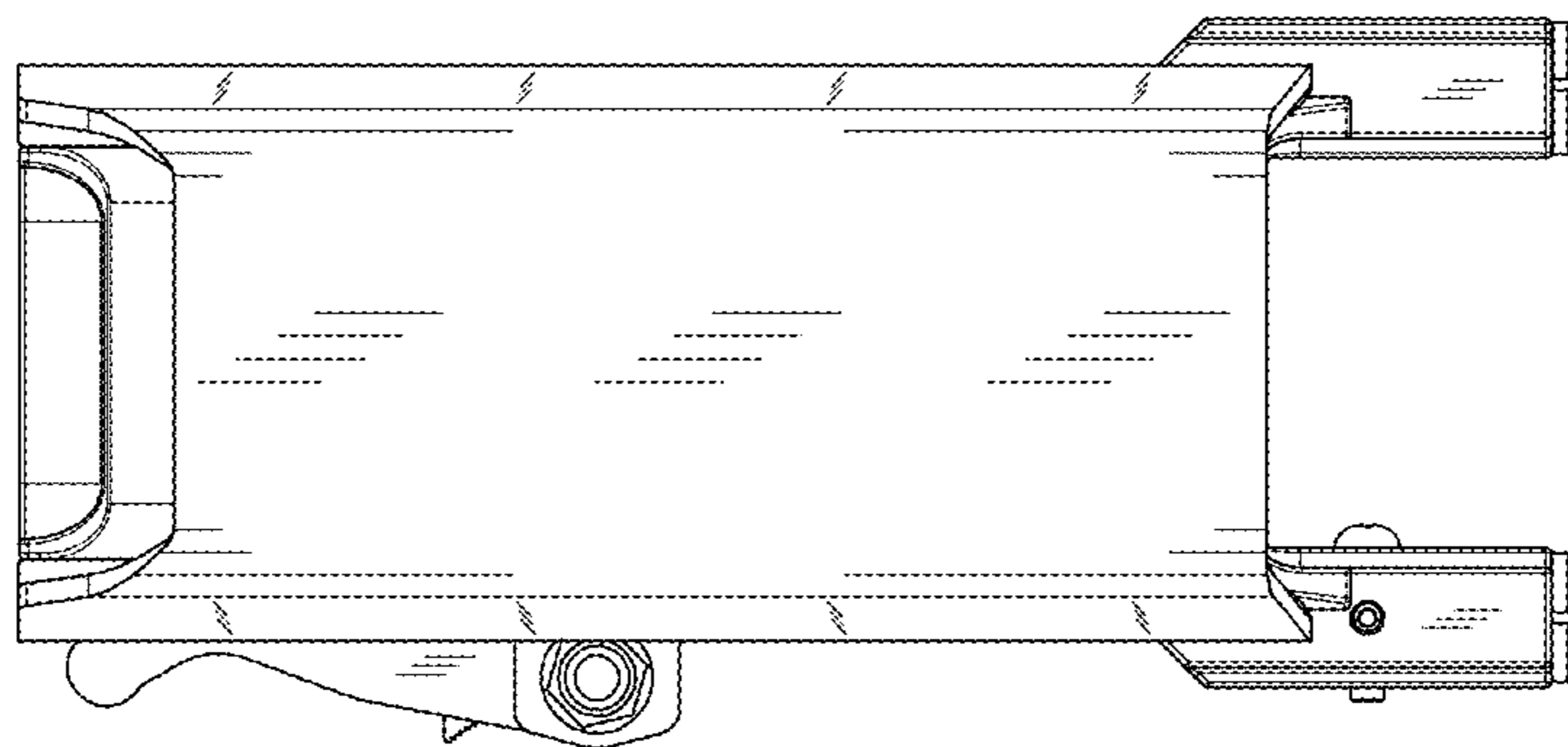


FIG.6