

US00D747430S

(12) **United States Design Patent**
Theisinger

(10) **Patent No.:** **US D747,430 S**
(45) **Date of Patent:** **** Jan. 12, 2016**

(54) **SIGHT**

(71) Applicant: **SUPAS LTD**, Hong Kong (CN)

(72) Inventor: **Hermann Theisinger**, Vienna (AT)

(**) Term: **14 Years**

(21) Appl. No.: **29/495,664**

(22) Filed: **Jul. 2, 2014**

(51) **LOC (10) Cl.** **22-01**

(52) **U.S. Cl.**
USPC **D22/109**

(58) **Field of Classification Search**
USPC D22/108–109; 89/111–113; 359/399,
359/823, 744; 42/104, 105, 111–113, 116,
42/120, 124–126, 127–129, 141–148,
42/133–140; 33/227, 229
CPC F41G 1/00; F41G 1/01; F41G 1/02;
F41G 1/06; F41G 1/065; F41G 1/08; F41G
1/10; F41G 1/12; F41G 1/14; F41G 1/30;
F41G 1/32; F41G 1/38; F41G 1/40; F41G
1/42; F41G 1/44; F41G 1/46; F41G 1/383;
F41G 1/387; F41G 1/393; F41G 3/00; F41G
3/005; F41G 3/02; F41G 3/04; F41G 3/06;
F41G 3/14; F41G 11/002; F41G 11/003;
F41G 11/004; F41G 11/005

See application file for complete search history.

(56) **References Cited**

U.S. PATENT DOCUMENTS

D382,625	S	*	8/1997	Hasselbusch	D22/100
D532,072	S	*	11/2006	Price	D22/108
D676,096	S	*	2/2013	Gambino	D22/109
D704,296	S	*	5/2014	Cheng	D22/109
D733,832	S	*	7/2015	Crispin	D22/109
2015/0128472	A1	*	5/2015	Theisinger	F41G 1/38 42/122

* cited by examiner

Primary Examiner — Michael A Pratt

(74) *Attorney, Agent, or Firm* — Ian Burns; ATIP Law

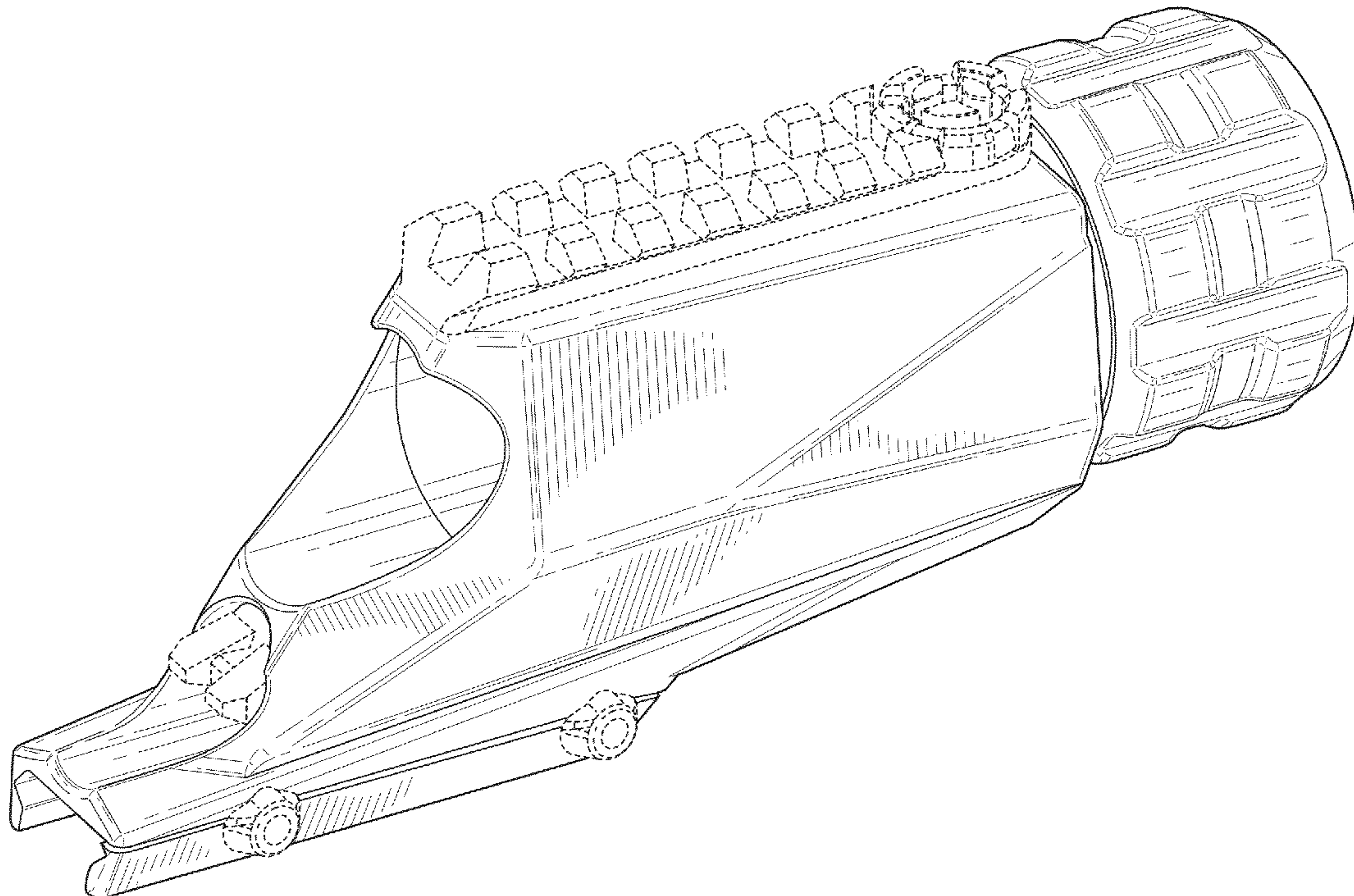
(57) **CLAIM**

An ornamental design for a sight, as shown and described.

DESCRIPTION

FIG. 1 is substantially a perspective view of the sight.
FIG. 2 is substantially a left side elevational view of the sight.
FIG. 3 is substantially a right side elevational view of the sight.
FIG. 4 is substantially a top plan view of the sight.
FIG. 5 is substantially a bottom plan view of the sight.
FIG. 6 is substantially a rear elevational view of the sight; and,
FIG. 7 is substantially a front elevational view of the sight.
Broken lines illustrate features or environmental components that are not part of the design sought to be patented.

1 Claim, 7 Drawing Sheets



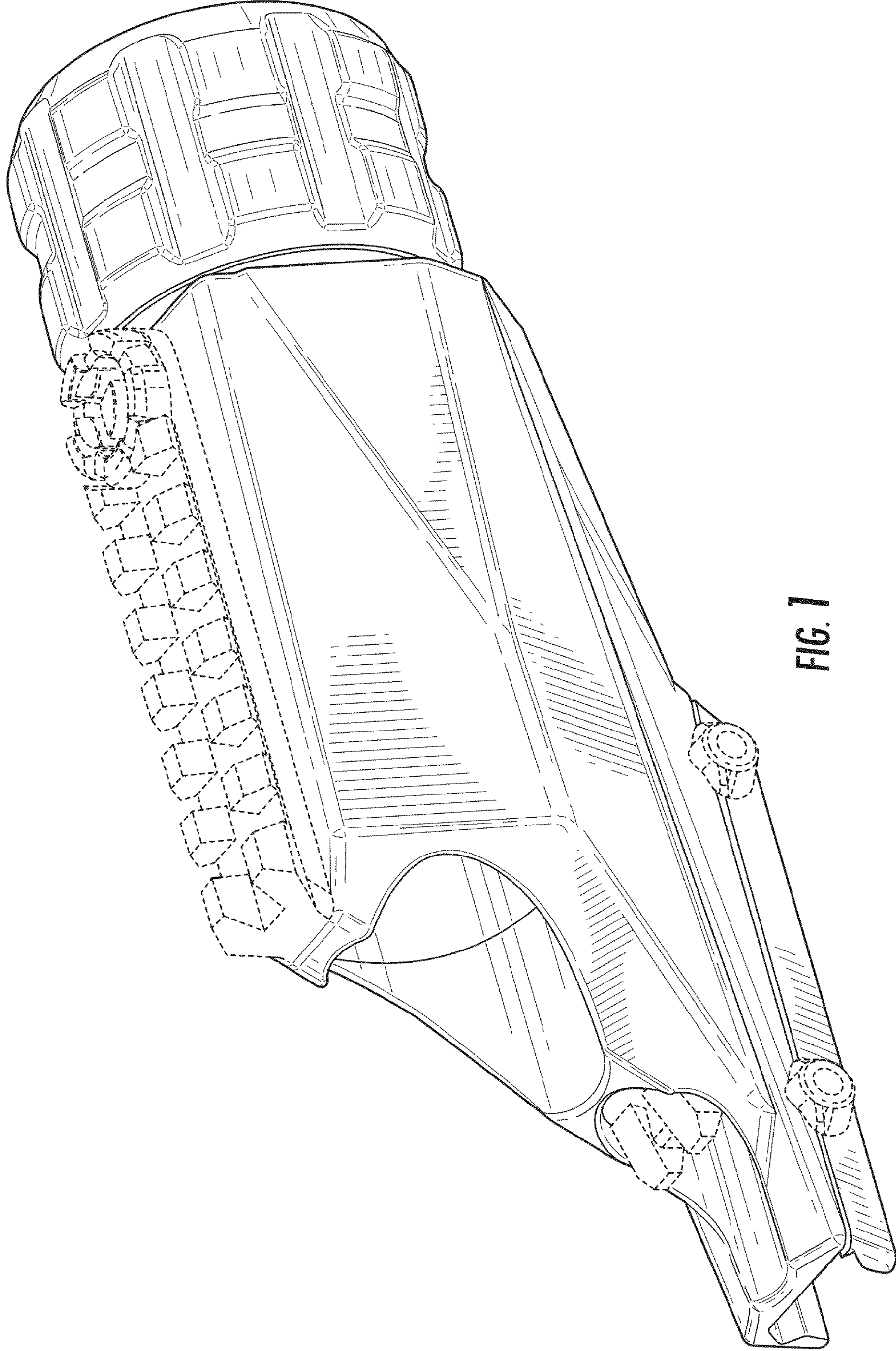


FIG. 1

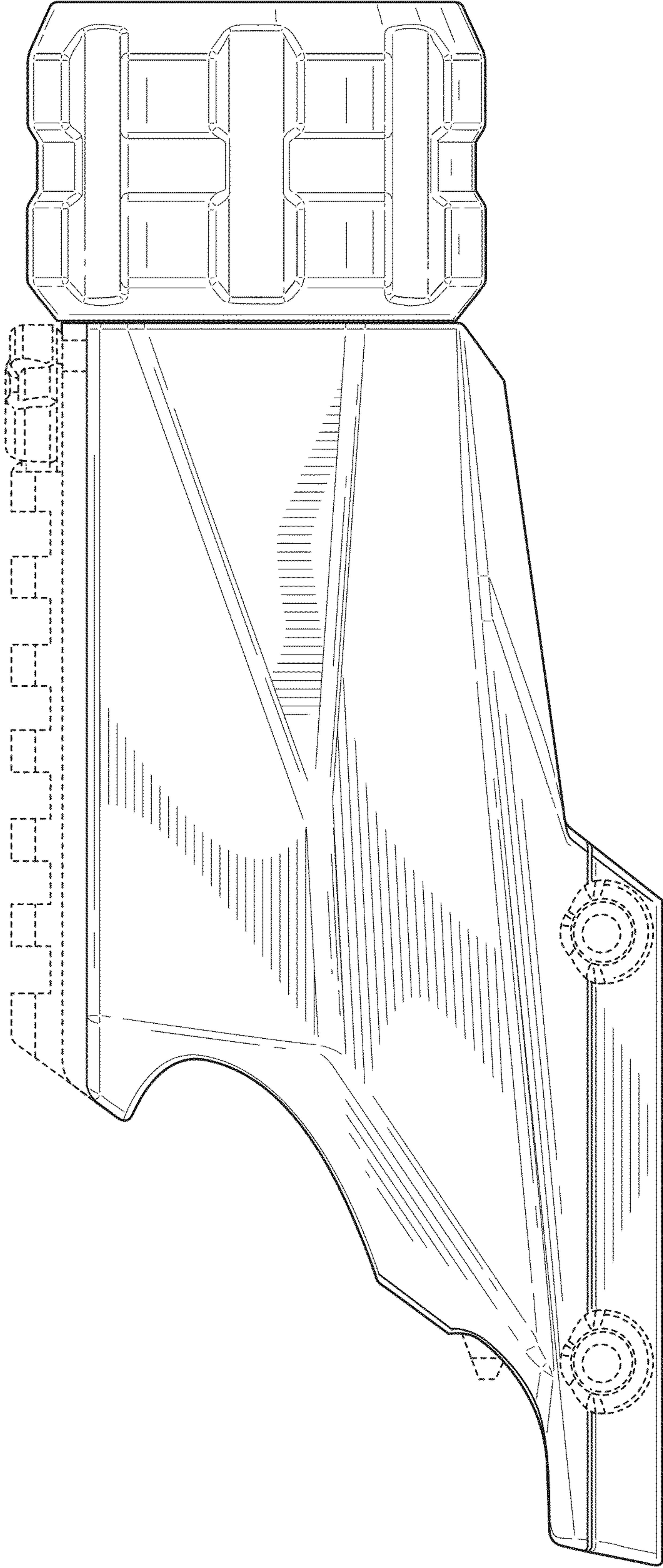


FIG. 2

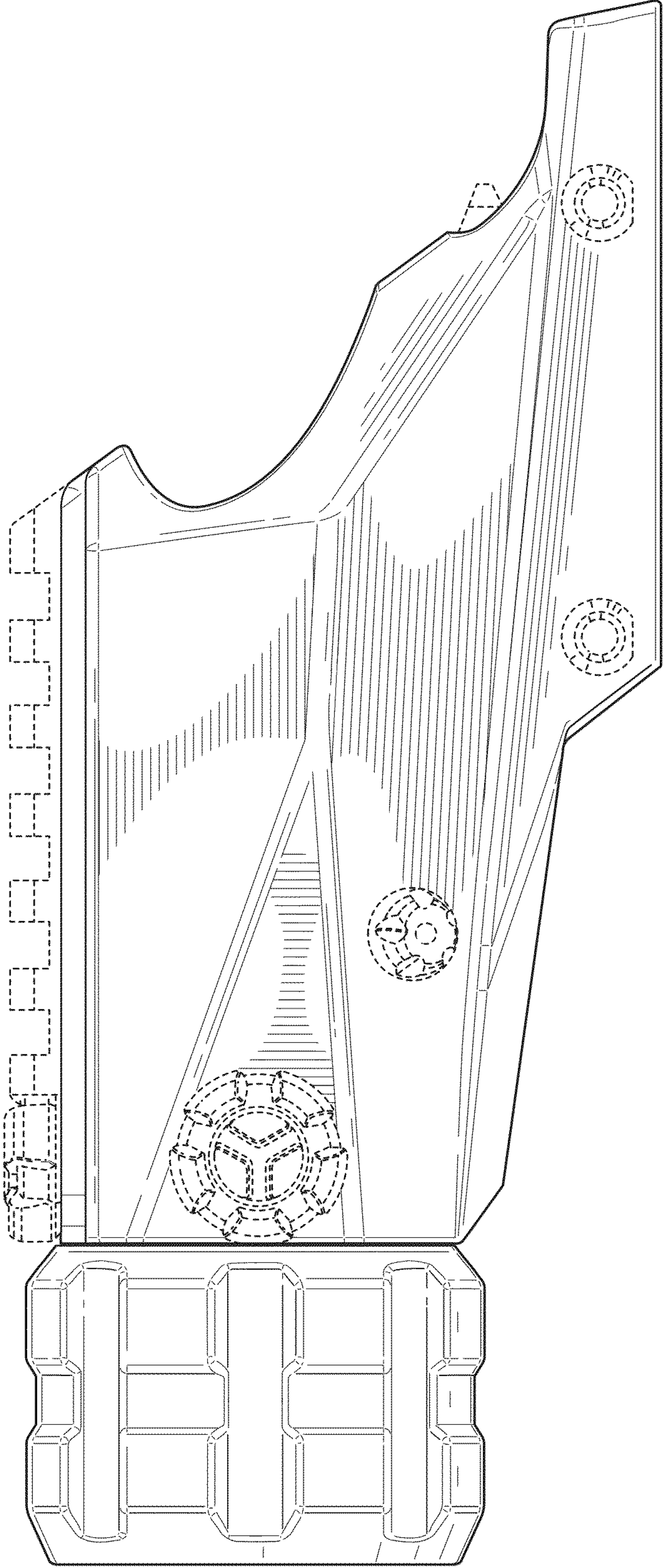


FIG. 3

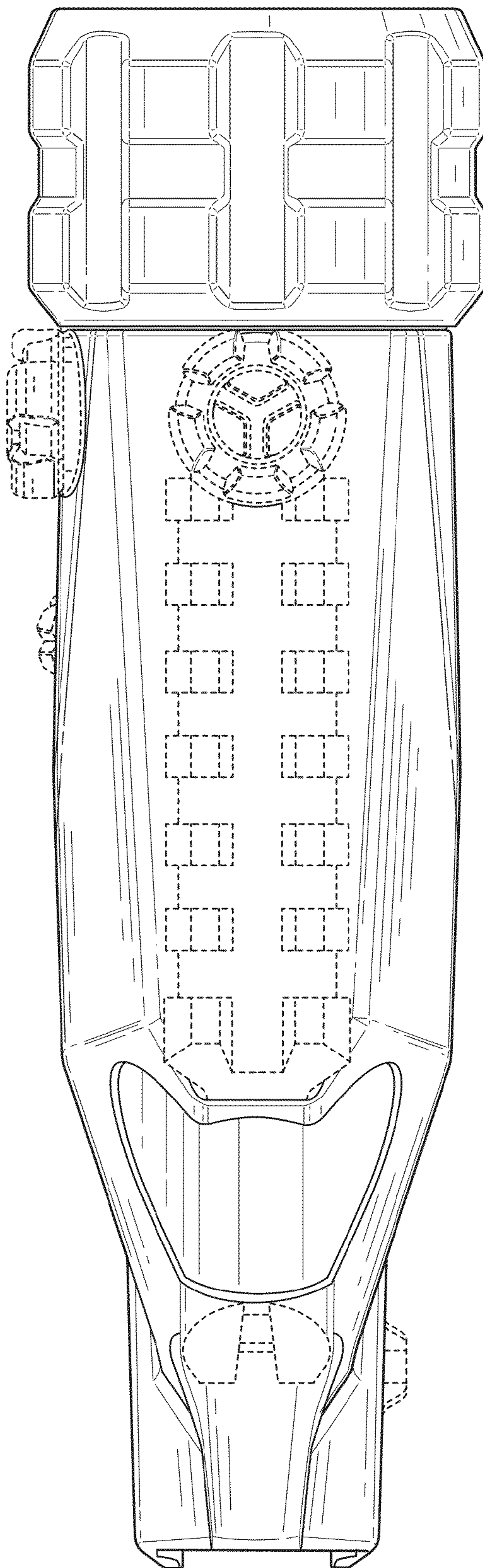


FIG. 4

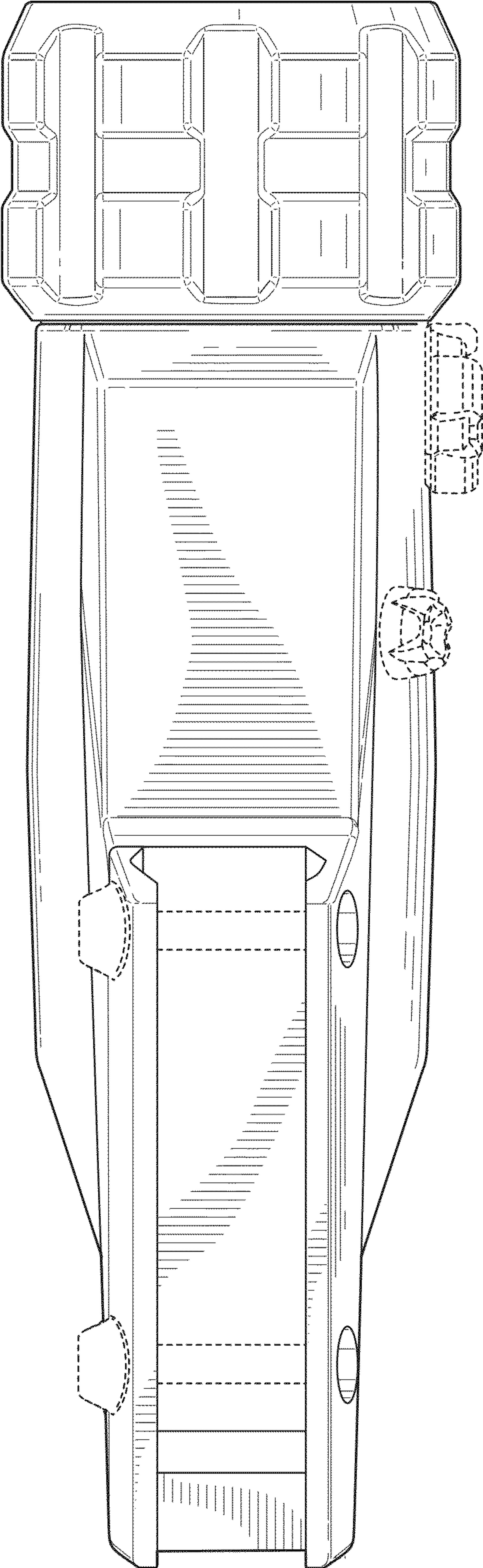


FIG. 5

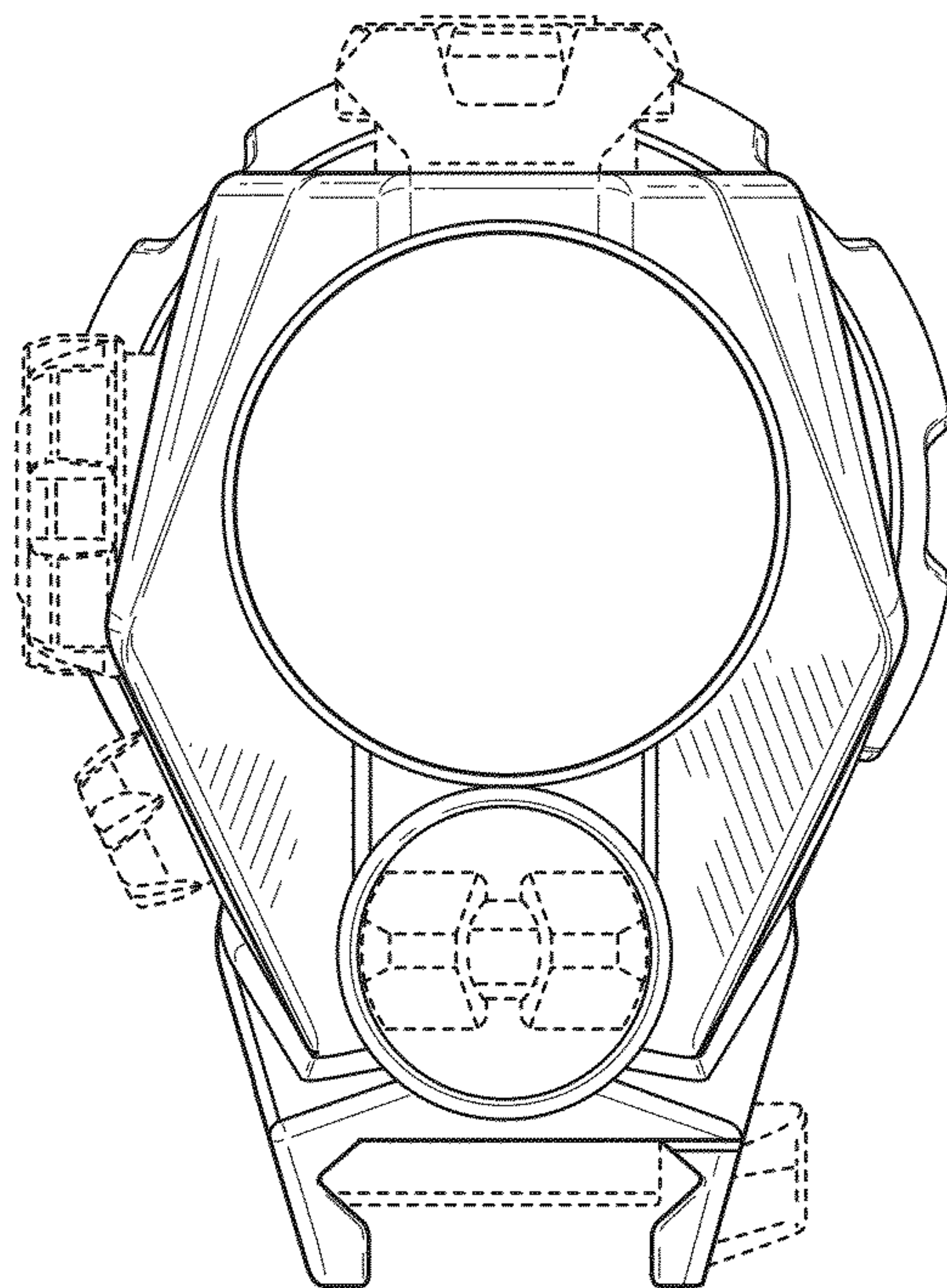


FIG. 6

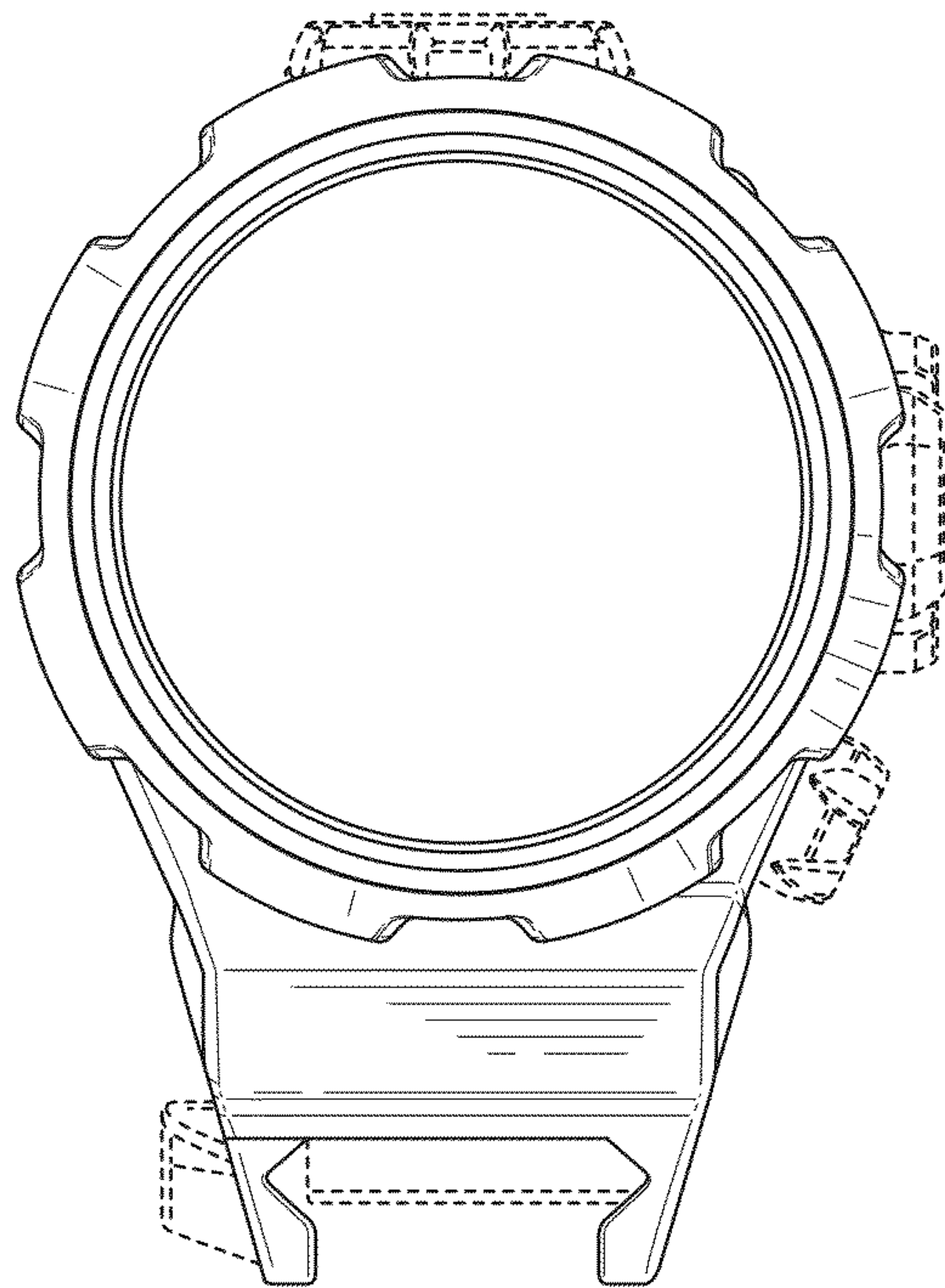


FIG. 7