



US00D747428S

(12) **United States Design Patent**
Chen

(10) **Patent No.:** **US D747,428 S**
(45) **Date of Patent:** **** Jan. 12, 2016**

(54) **KEYMOD FOREARM FOR AR-15 AND AR-10 RIFLES**

(71) Applicant: **Joseph Chen**, San Diego, CA (US)

(72) Inventor: **Joseph Chen**, San Diego, CA (US)

(**) Term: **14 Years**

(21) Appl. No.: **29/498,368**

(22) Filed: **Aug. 1, 2014**

(51) **LOC (10) Cl.** **22-01**

(52) **U.S. Cl.**
USPC **D22/108**

(58) **Field of Classification Search**
USPC D22/103, 108; D21/572-575
CPC F41C 23/00; F41C 27/00; F41C 27/06;
F41C 23/10; F41C 23/14; F41C 23/16;
F41C 23/18
See application file for complete search history.

(56) **References Cited**

U.S. PATENT DOCUMENTS

D477,855 S	7/2003	Selvaggio	
7,059,076 B2	6/2006	Stoner et al.	
7,356,958 B2	4/2008	Weir	
D606,156 S	12/2009	Swan	
D607,958 S	1/2010	Swan	
D616,520 S	5/2010	Starnes	
D616,521 S	5/2010	Starnes	
8,069,604 B2	12/2011	Larue	
D692,516 S	10/2013	Yan et al.	
8,739,448 B2 *	6/2014	Kimmel	F41C 23/16 42/124
8,752,320 B2 *	6/2014	Masters	F41C 23/16 42/71.01

D720,421 S *	12/2014	Chen	D22/108
8,904,691 B1 *	12/2014	Kincel	F41C 23/16 42/71.01
D736,886 S *	8/2015	Cheng	D22/108
D737,397 S *	8/2015	Cheng	D22/108
2007/0199435 A1	8/2007	Hochstrate et al.	
2009/0038198 A1	2/2009	Yu	
2010/0192443 A1	8/2010	Cabahug et al.	
2010/0319231 A1	12/2010	Stone et al.	
2011/0185617 A1	8/2011	Brixius	
2013/0276341 A1	10/2013	Wells et al.	
2014/0026459 A1 *	1/2014	Yan	F41C 23/16 42/71.01
2014/0130390 A1 *	5/2014	Geissele	F41C 23/16 42/71.01
2015/0247700 A1 *	9/2015	Merlino	F41C 23/16 42/75.01

* cited by examiner

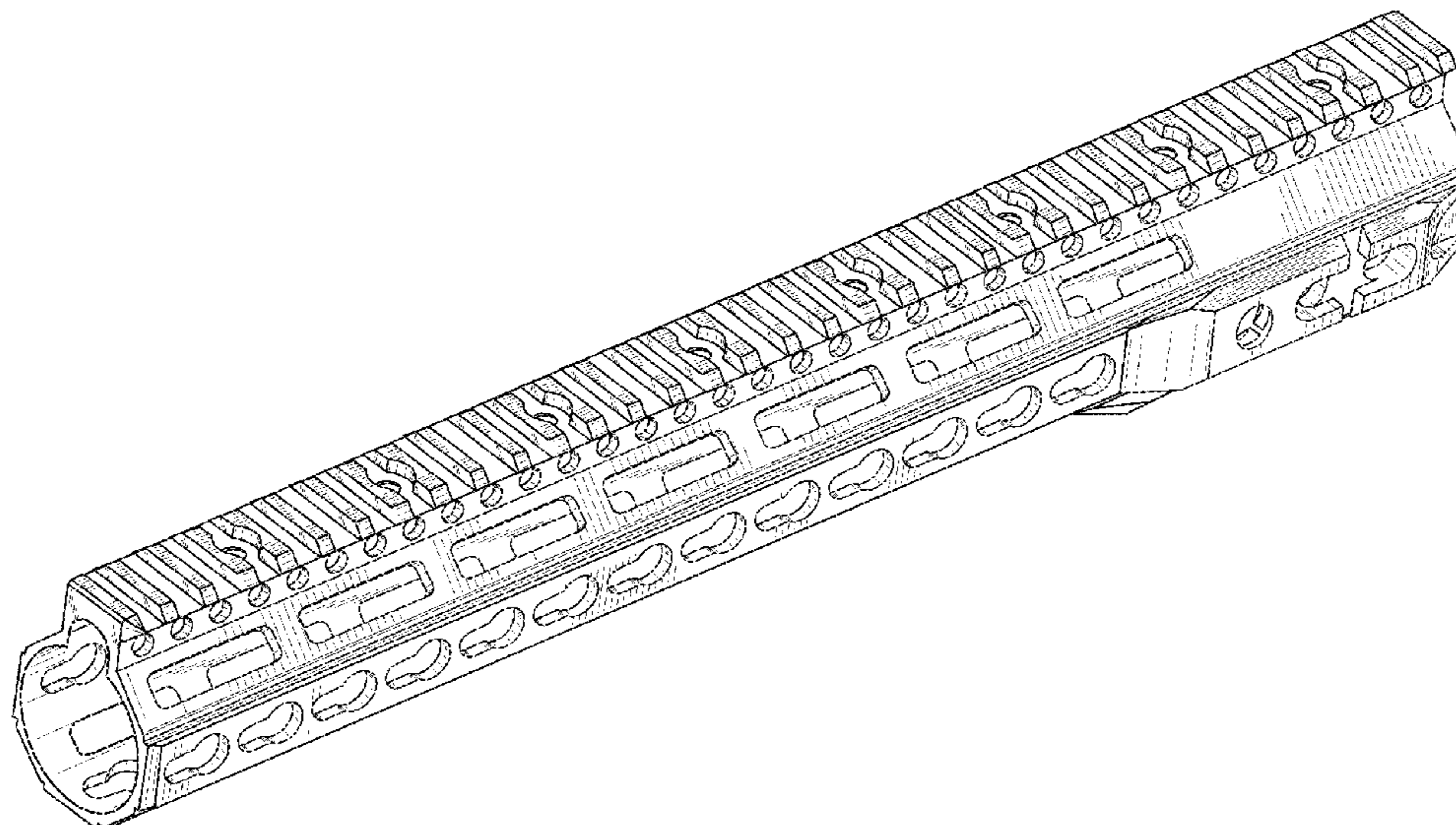
Primary Examiner — Michael A Pratt
(74) *Attorney, Agent, or Firm* — QuickPatens; Kevin Prince

(57) **CLAIM**
I claim the ornamental design for a keymod forearm for AR-15 and AR-10 rifles, as shown and described.

DESCRIPTION

FIG. 1 is a top perspective view of a keymod forearm for AR-15 and AR-10 rifles, showing my new design; FIG. 2 is a front elevational view thereof; FIG. 3 is a rear elevational view thereof; FIG. 4 is a left-side elevational view thereof, the right-side elevational view being a mirror image thereof; FIG. 5 is a top plan view thereof; FIG. 6 is a bottom plan view thereof; and, FIG. 7 is a bottom perspective view thereof.

1 Claim, 4 Drawing Sheets



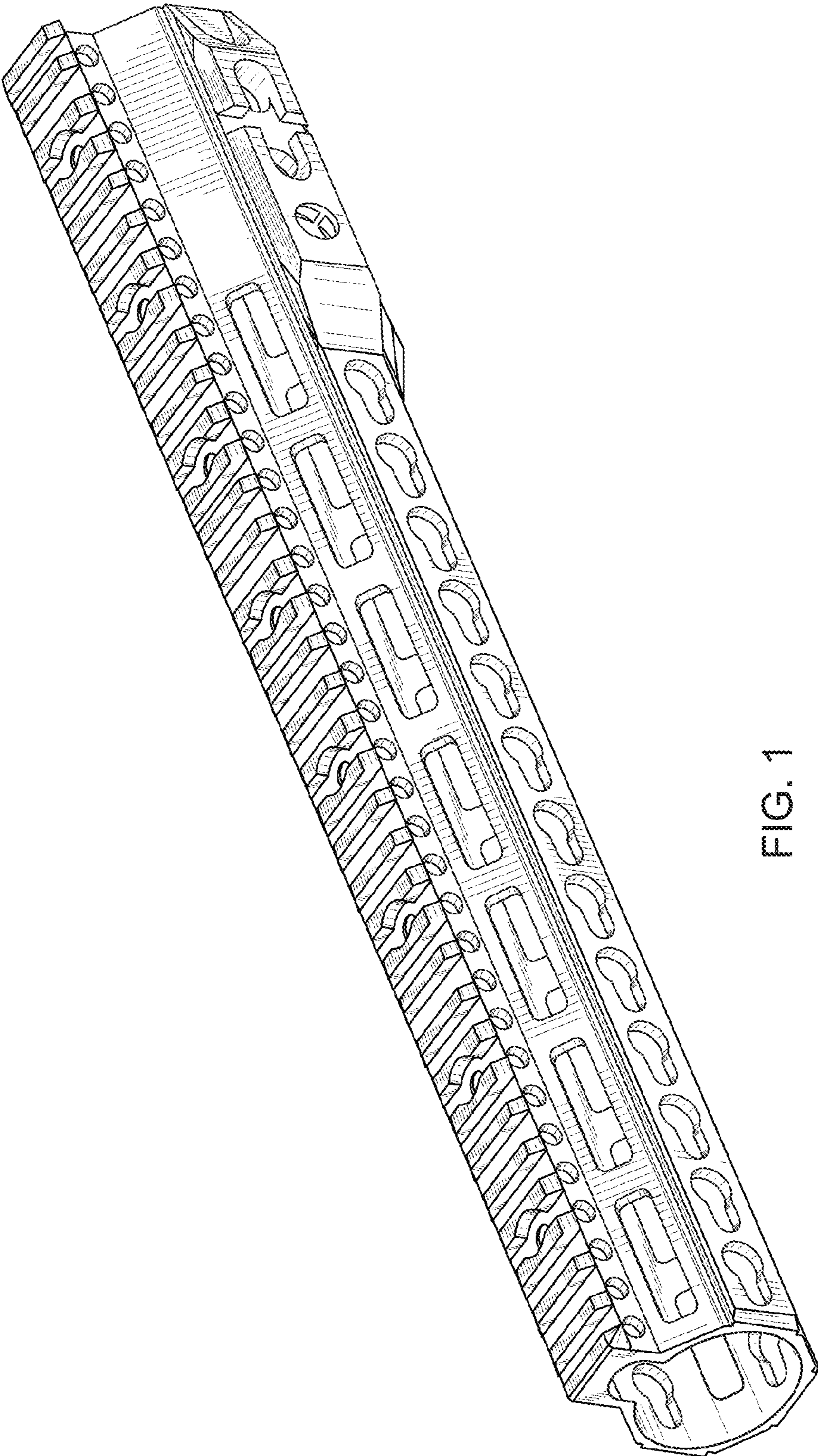


FIG. 1

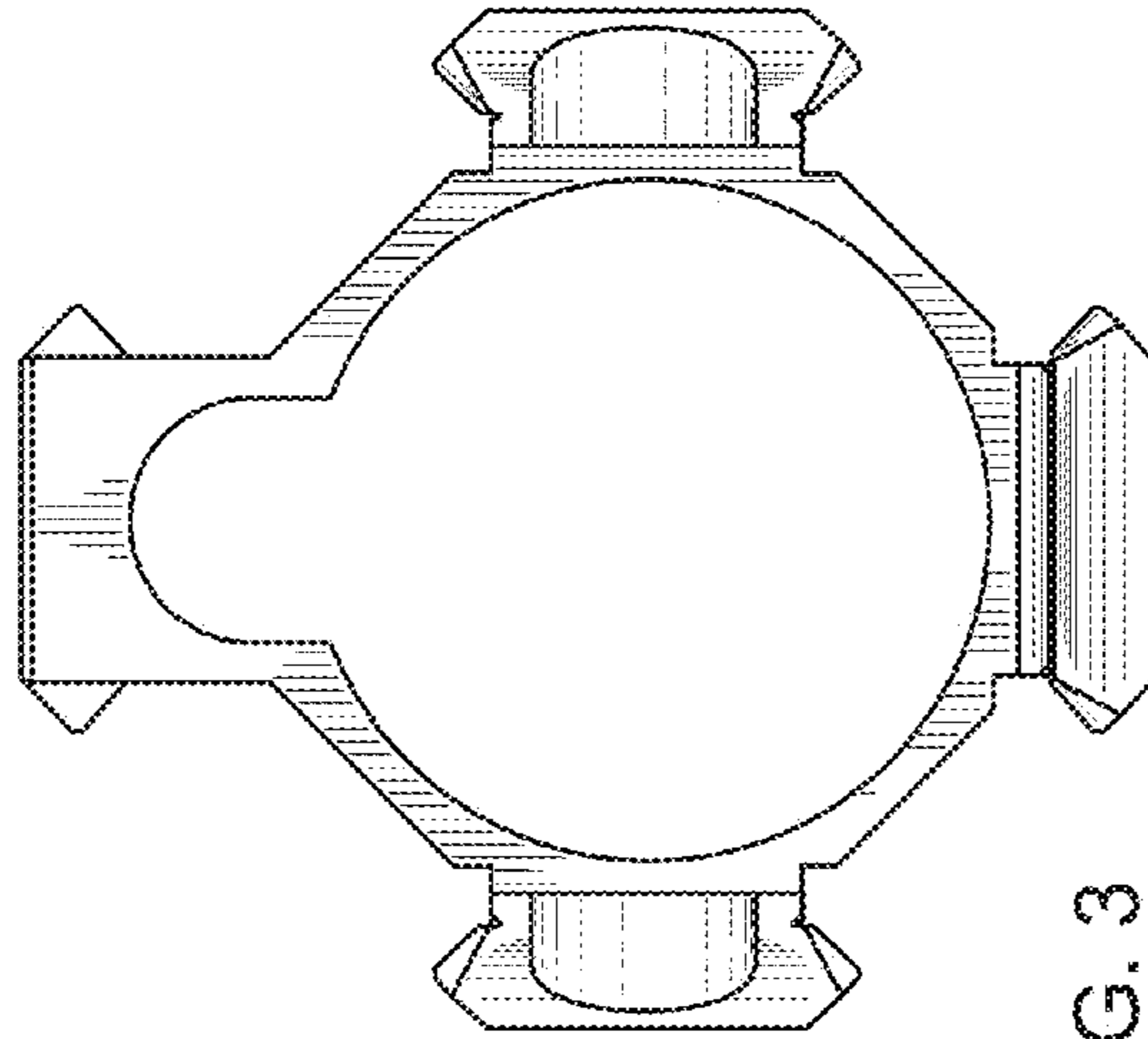


FIG. 3

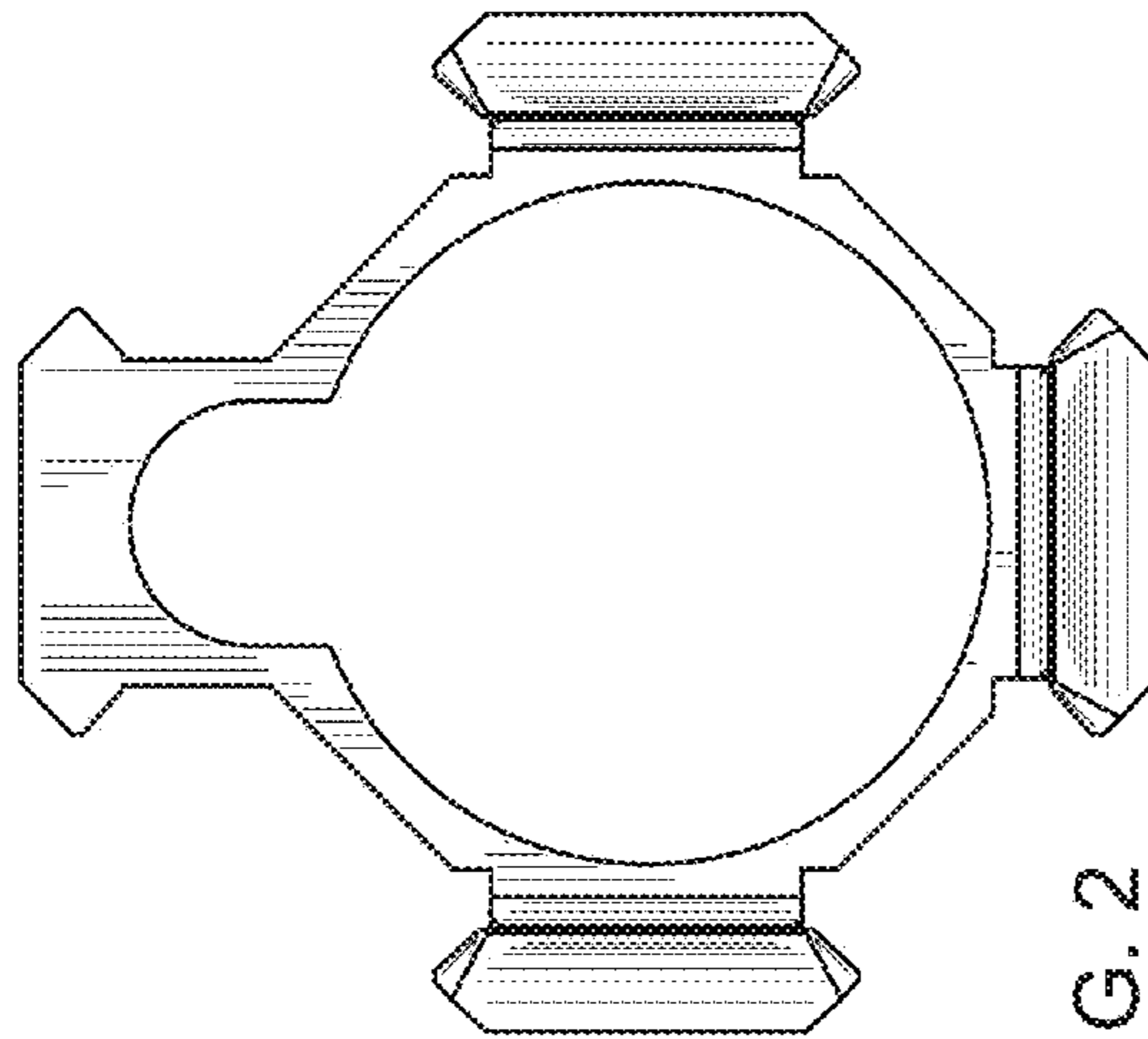


FIG. 2

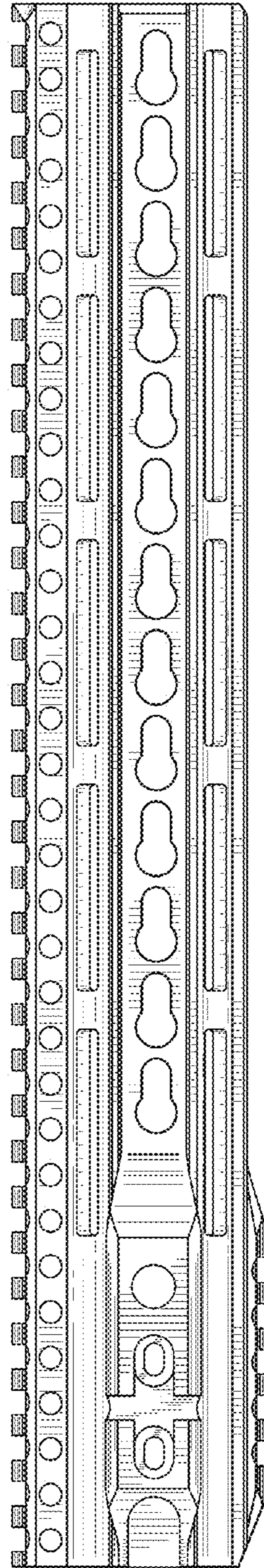


FIG. 4

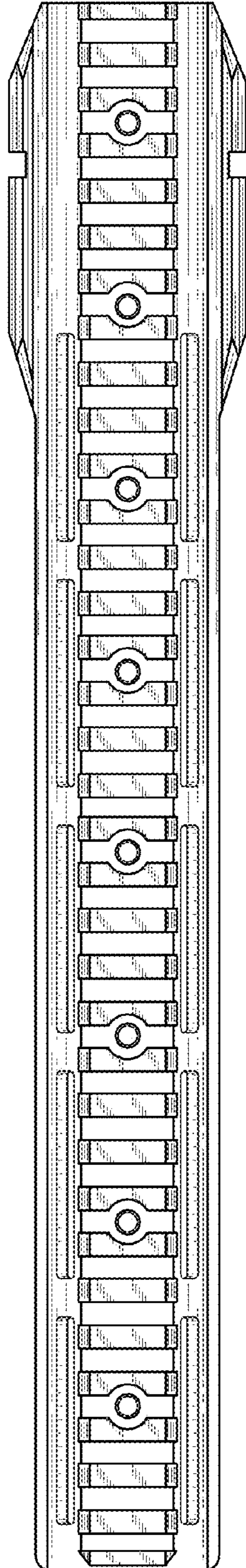


FIG. 5

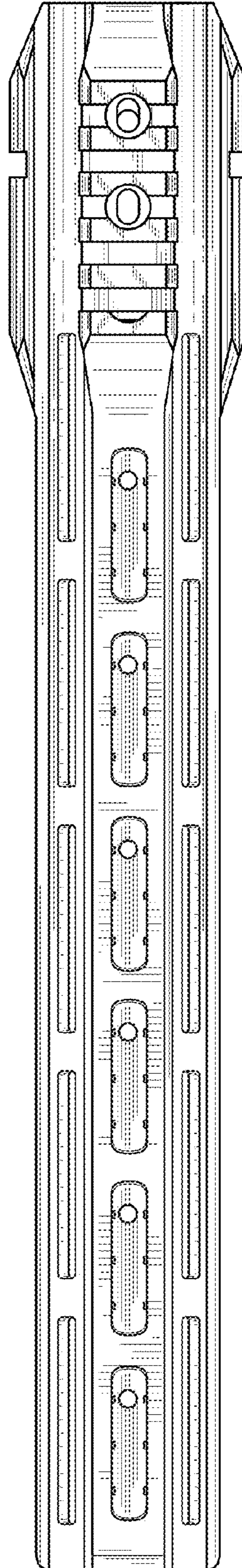


FIG. 6

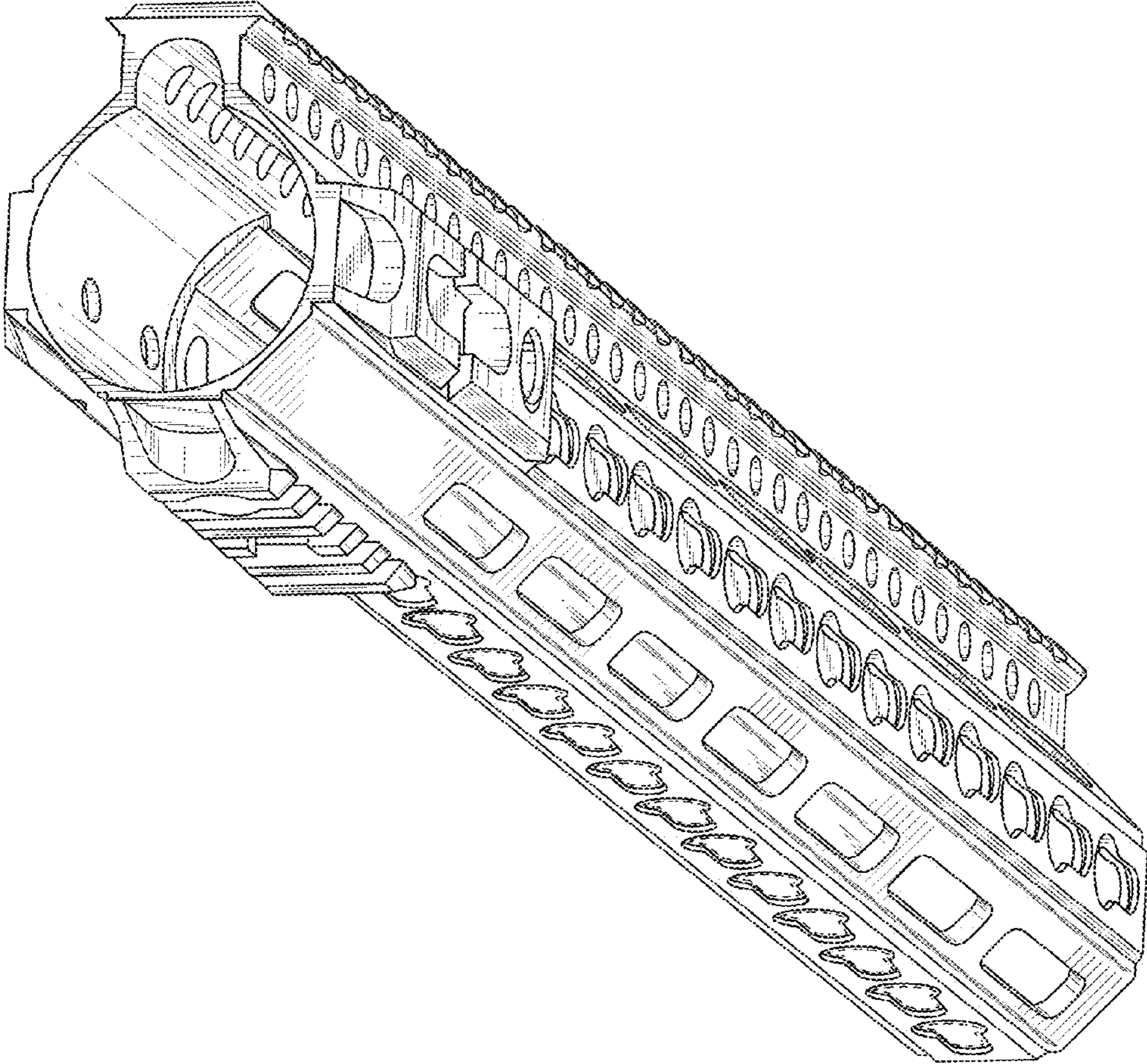


FIG. 7