



US00D747423S

(12) **United States Design Patent**  
**Gustafson**

(10) **Patent No.:** **US D747,423 S**

(45) **Date of Patent:** **\*\* Jan. 12, 2016**

(54) **EXERCISE BALL WITH TWO STEPS**

(56) **References Cited**

(71) Applicant: **Mark Gustafson**, Folsom, CA (US)

U.S. PATENT DOCUMENTS

(72) Inventor: **Mark Gustafson**, Folsom, CA (US)

3,785,642 A \* 1/1974 Sterlicchi ..... 482/51

D241,869 S \* 10/1976 Hilprecht ..... D21/713

D363,752 S \* 10/1995 Shumber et al. .... D21/678

5,566,948 A \* 10/1996 Kidd ..... 273/342

D568,950 S \* 5/2008 Yewer, Jr. .... D21/662

D634,792 S \* 3/2011 Goodman-Pollack ..... D21/453

D651,671 S \* 1/2012 Ross et al. .... D21/680

D659,204 S \* 5/2012 Cotter ..... D21/680

D670,040 S \* 10/2012 Aboujaoude ..... D30/117

2012/0184414 A1 \* 7/2012 Osborn ..... 482/93

(\*\*) Term: **15 Years**

(21) Appl. No.: **29/527,796**

(22) Filed: **May 21, 2015**

**Related U.S. Application Data**

\* cited by examiner

(63) Continuation of application No. 29/491,441, filed on May 21, 2014, now Pat. No. Des. 733,814.

*Primary Examiner* — Robert M Spear

(51) **LOC (10) Cl.** ..... **21-02**

*Assistant Examiner* — Ryan Harvey

(52) **U.S. Cl.**  
USPC ..... **D21/662**

(74) *Attorney, Agent, or Firm* — Craig A. Simmermon

(58) **Field of Classification Search**

(57) **CLAIM**

USPC ..... 482/142, 112, 93, 140, 91, 148, 146,  
482/52, 147, 121, 139, 14, 34, 79, 145, 44,  
482/77, 49, 7, 3, 47; D21/662, 713, 680;  
D30/117; 691/23; 473/596, 614, 422,  
473/595; 297/311, 354.1, 411.3, 452.1,  
297/452.41, 271.5, 258.1, 270.1, 270.5,  
297/344.1, 451.13, 452.17; 248/599;  
601/129, 131, 40; 73/379.01, 379.08,  
73/79.09; 340/323 R, 384.71; D6/661.3;  
273/342; 267/137, 153; 173/162.2;  
30/383; 200/18, 6 A; D11/26; D3/215  
CPC ..... A63B 23/0211; A63B 2225/62; A63B  
41/00; A63B 21/0442; C08F 10/00

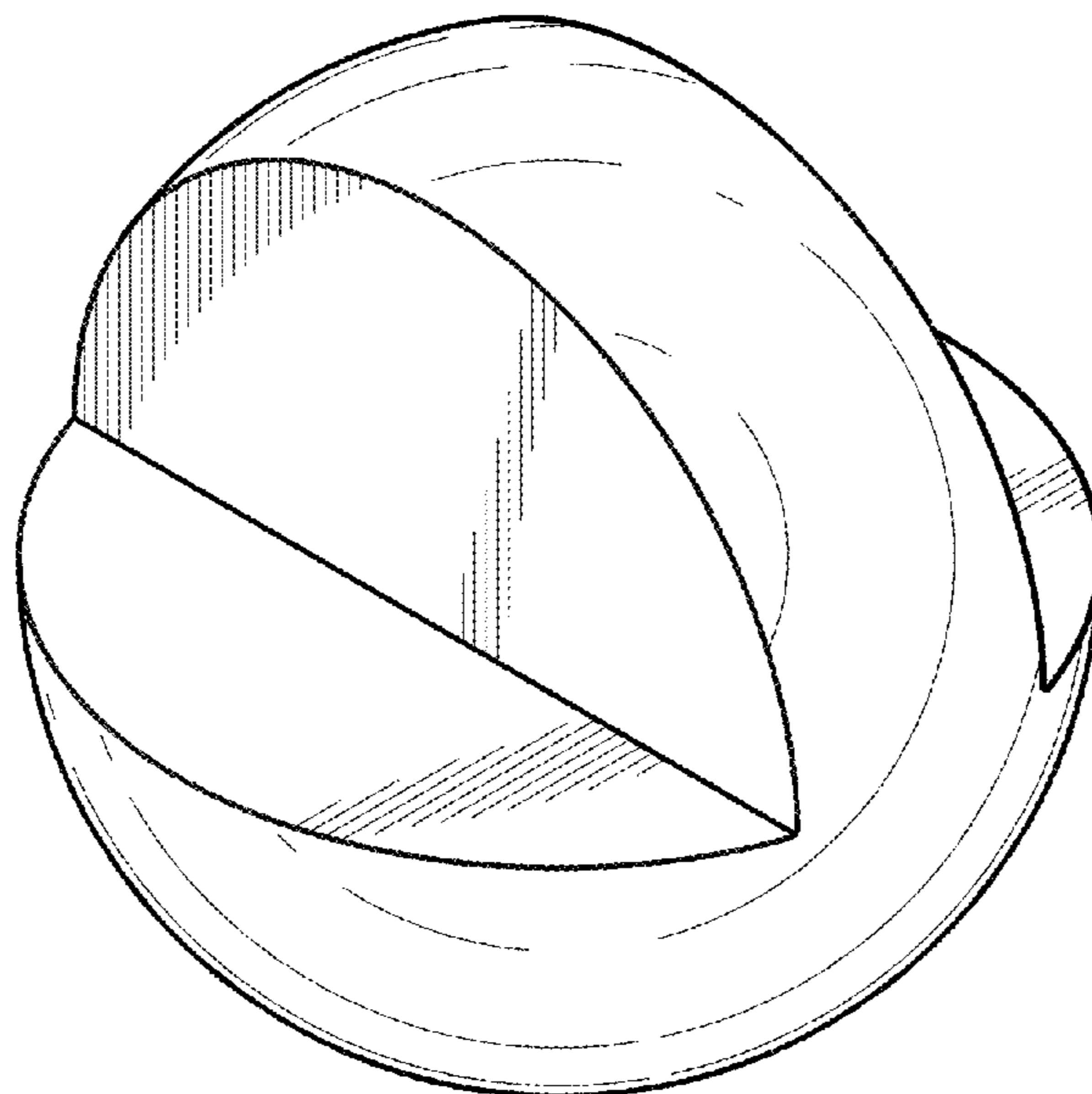
The ornamental design for exercise ball with two steps, as shown and described.

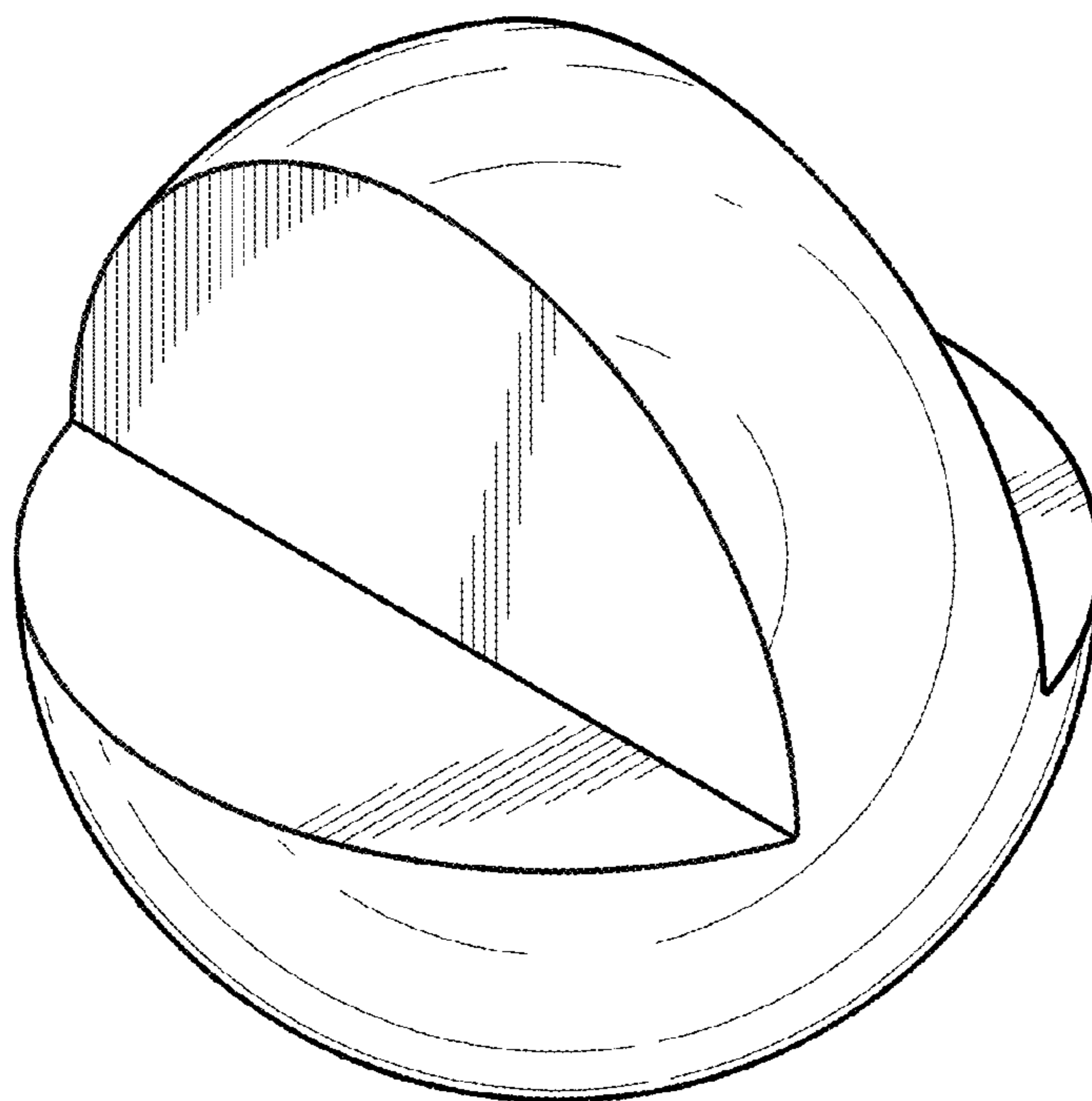
See application file for complete search history.

**DESCRIPTION**

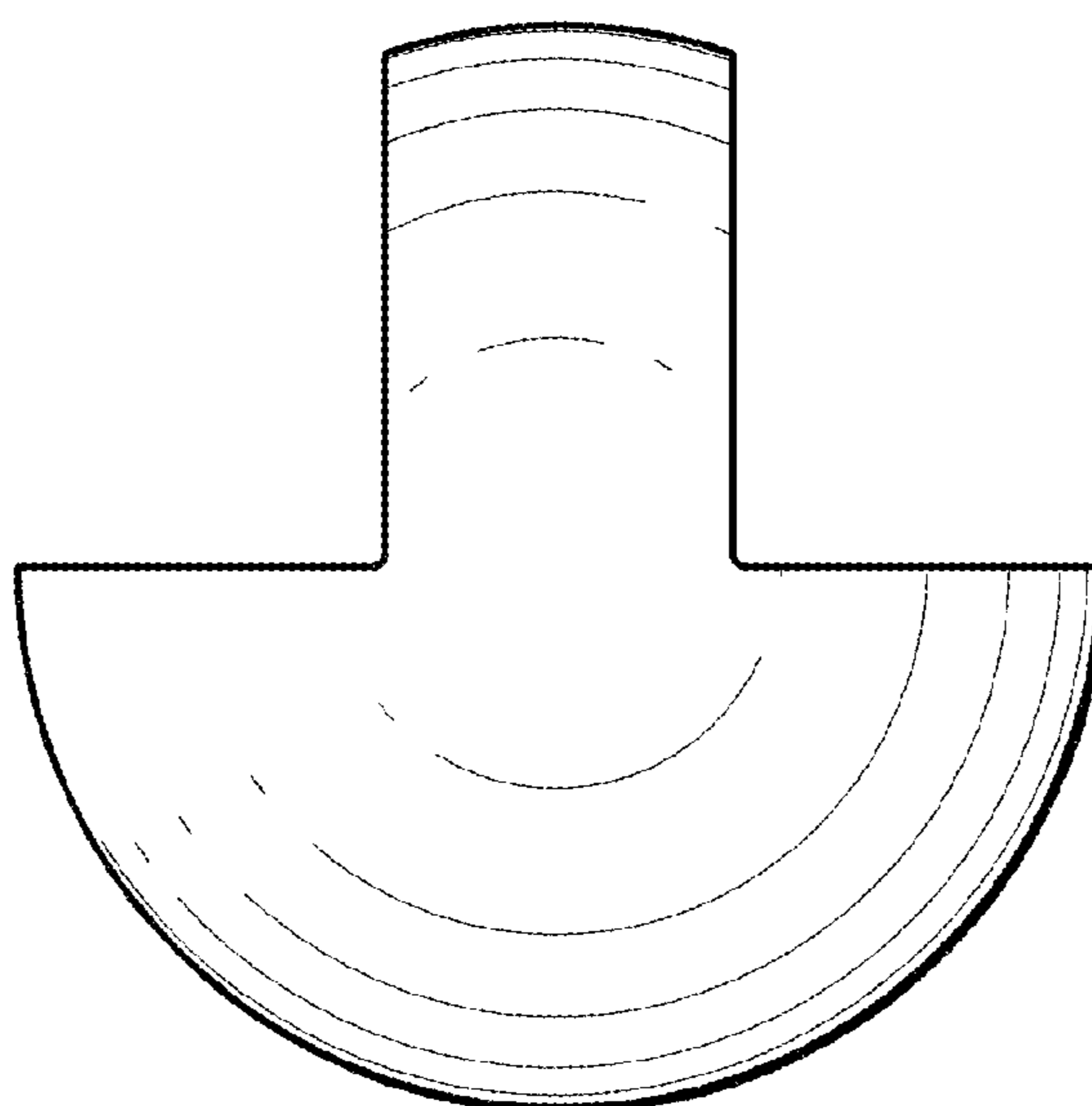
FIG. 1 is a perspective view of exercise ball with two steps showing my new design.  
FIG. 2 is a front elevation view thereof.  
FIG. 3 is a side elevation view thereof.  
FIG. 4 is a top plan view thereof; and,  
FIG. 5 is a bottom plan view thereof.

**1 Claim, 2 Drawing Sheets**

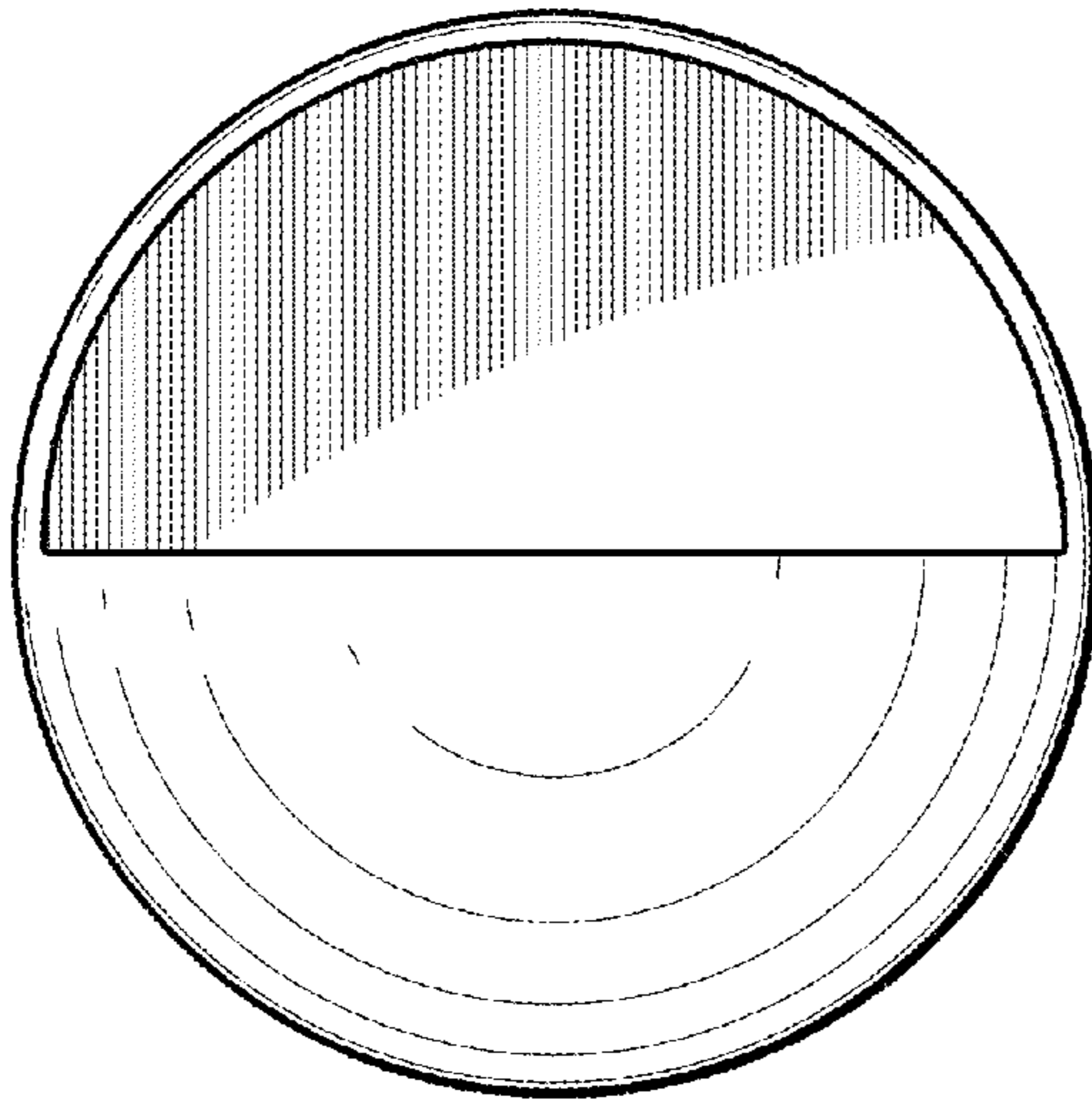




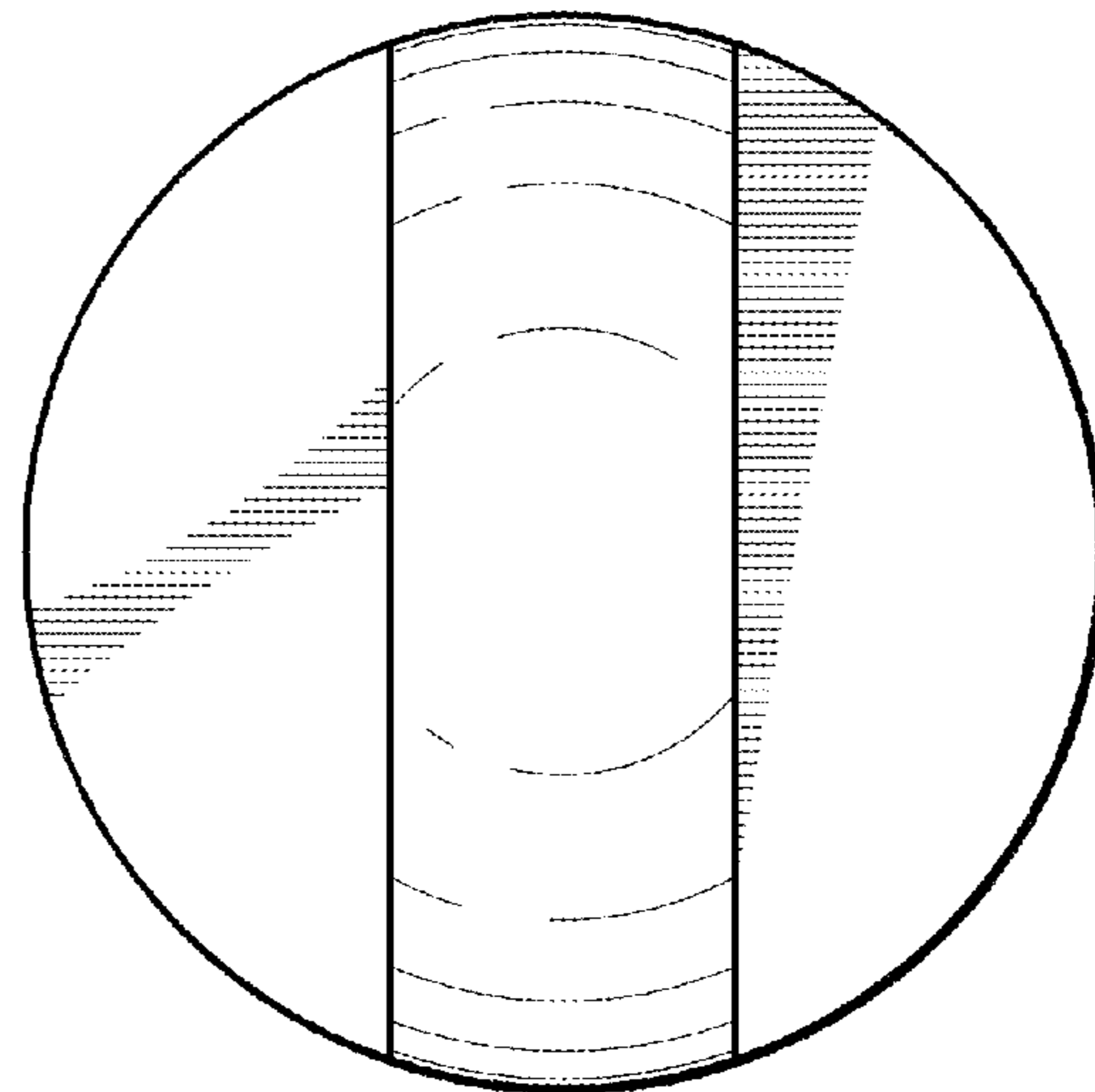
**FIG. 1**



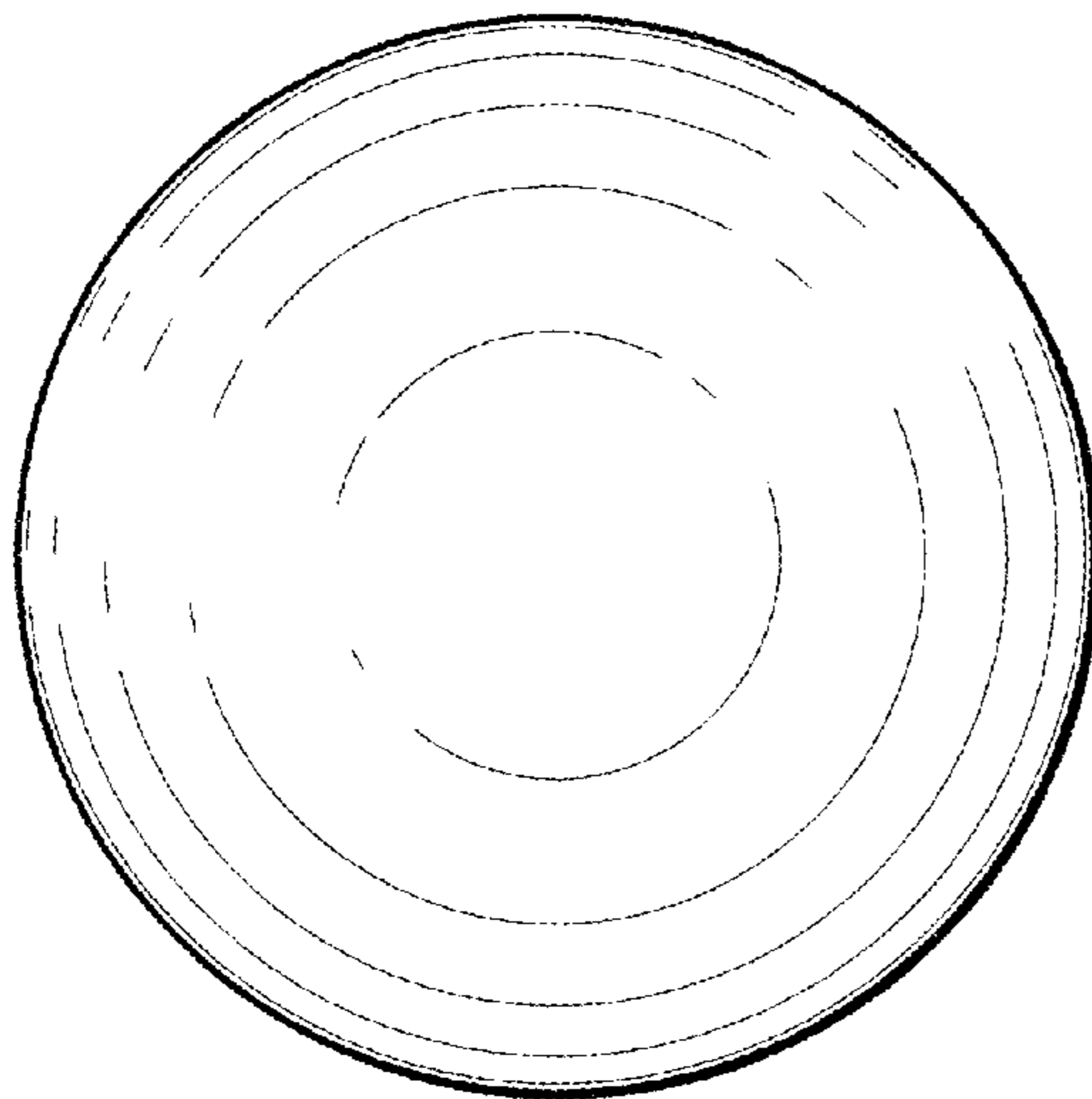
**FIG. 2**



**FIG. 3**



**FIG. 4**



**FIG. 5**