



US00D747422S

(12) **United States Design Patent**
Chu

(10) **Patent No.:** **US D747,422 S**
(45) **Date of Patent:** **** Jan. 12, 2016**

(54) **TOY GUN**

(56) **References Cited**

(71) Applicant: **I Chih Shivan Enterprise Co., Ltd.**,
Taichung (TW)

(72) Inventor: **Chen Tang Chu**, Taichung (TW)

(73) Assignee: **I Chih Shivan Enterprise Co., Ltd.**,
Taichung (TW)

(**) Term: **14 Years**

(21) Appl. No.: **29/500,742**

(22) Filed: **Aug. 27, 2014**

(51) **LOC (10) Cl.** **21-01**

(52) **U.S. Cl.**
USPC **D21/573**

(58) **Field of Classification Search**
USPC D21/333, 401, 461, 567, 568, 570-575;
D14/418; D22/100, 101, 104, 105,
D22/108-110; 124/16, 26, 27, 28, 29, 54,
124/73-77; 222/78, 79; 42/54, 57, 58;
446/23, 182, 192, 401, 403, 405-407,
446/473, 475
CPC F41B 11/89; F41B 7/08; F41C 7/00;
F41C 7/11; F41C 7/12

See application file for complete search history.

U.S. PATENT DOCUMENTS

D606,614 S *	12/2009	Fitzpatrick	D22/103
D641,824 S *	7/2011	Gridelet	D22/103
D641,825 S *	7/2011	Gridelet	D22/103
D645,532 S *	9/2011	Peterson	D22/103
D665,037 S *	8/2012	Mead	D21/573
D729,880 S *	5/2015	Nichols	D21/573
D729,893 S *	5/2015	Foster	D22/103
D733,223 S *	6/2015	Chu	D21/573
D733,827 S *	7/2015	Serbu	D22/103

* cited by examiner

Primary Examiner — Cynthia M Chin

(74) *Attorney, Agent, or Firm* — Leong C. Lei

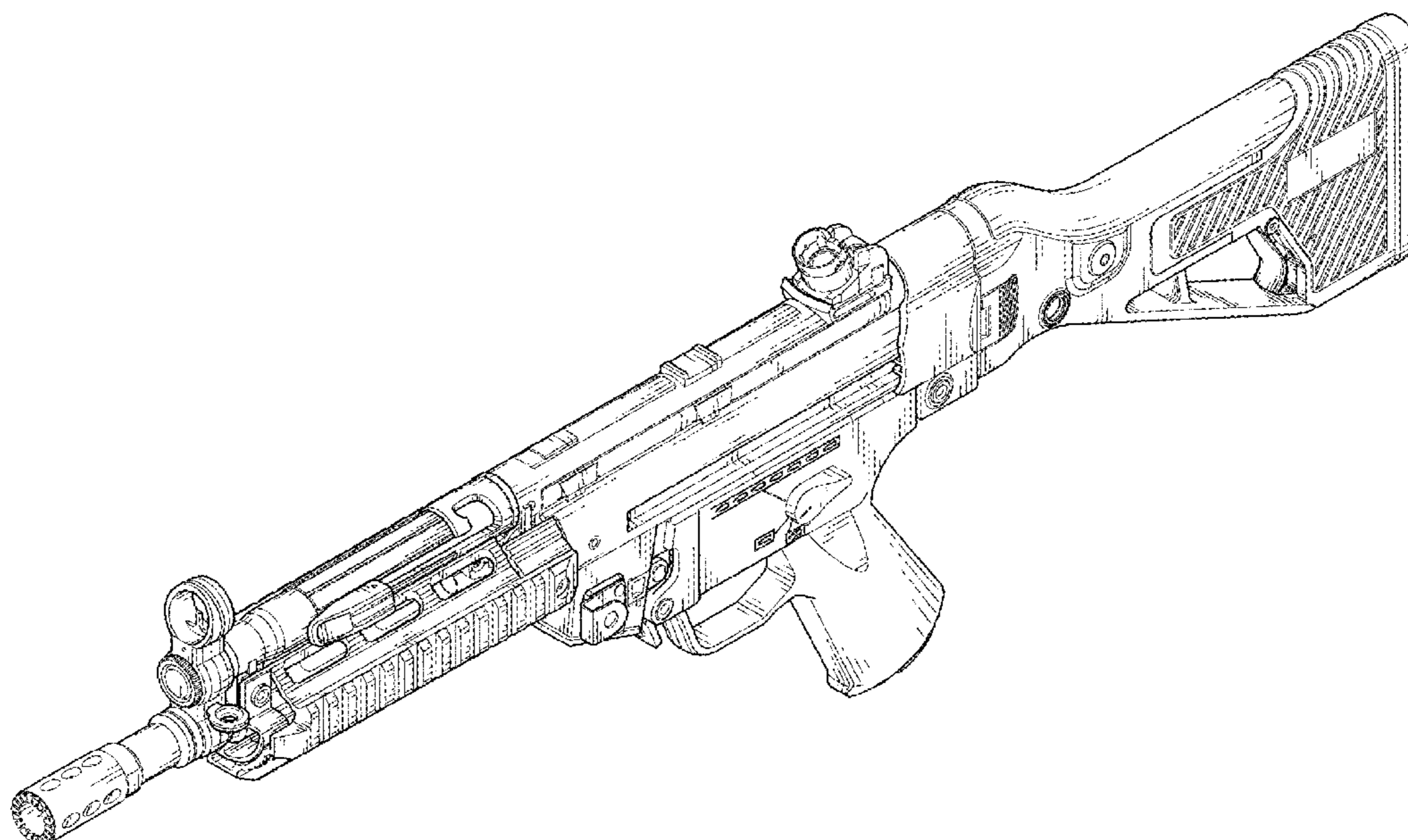
(57) **CLAIM**

The ornamental design for a toy gun, as shown and described.

DESCRIPTION

FIG. 1 is a front perspective view of a toy gun showing my new design;
FIG. 2 is a rear perspective view thereof;
FIG. 3 is a bottom perspective view thereof;
FIG. 4 is a front elevational view thereof;
FIG. 5 is a rear elevational view thereof;
FIG. 6 is a left elevational view thereof;
FIG. 7 is a right elevational view thereof;
FIG. 8 is a top plan view thereof; and,
FIG. 9 is a bottom plan view thereof.
The portions of the article shown in broken lines form no part of the claimed design.

1 Claim, 8 Drawing Sheets



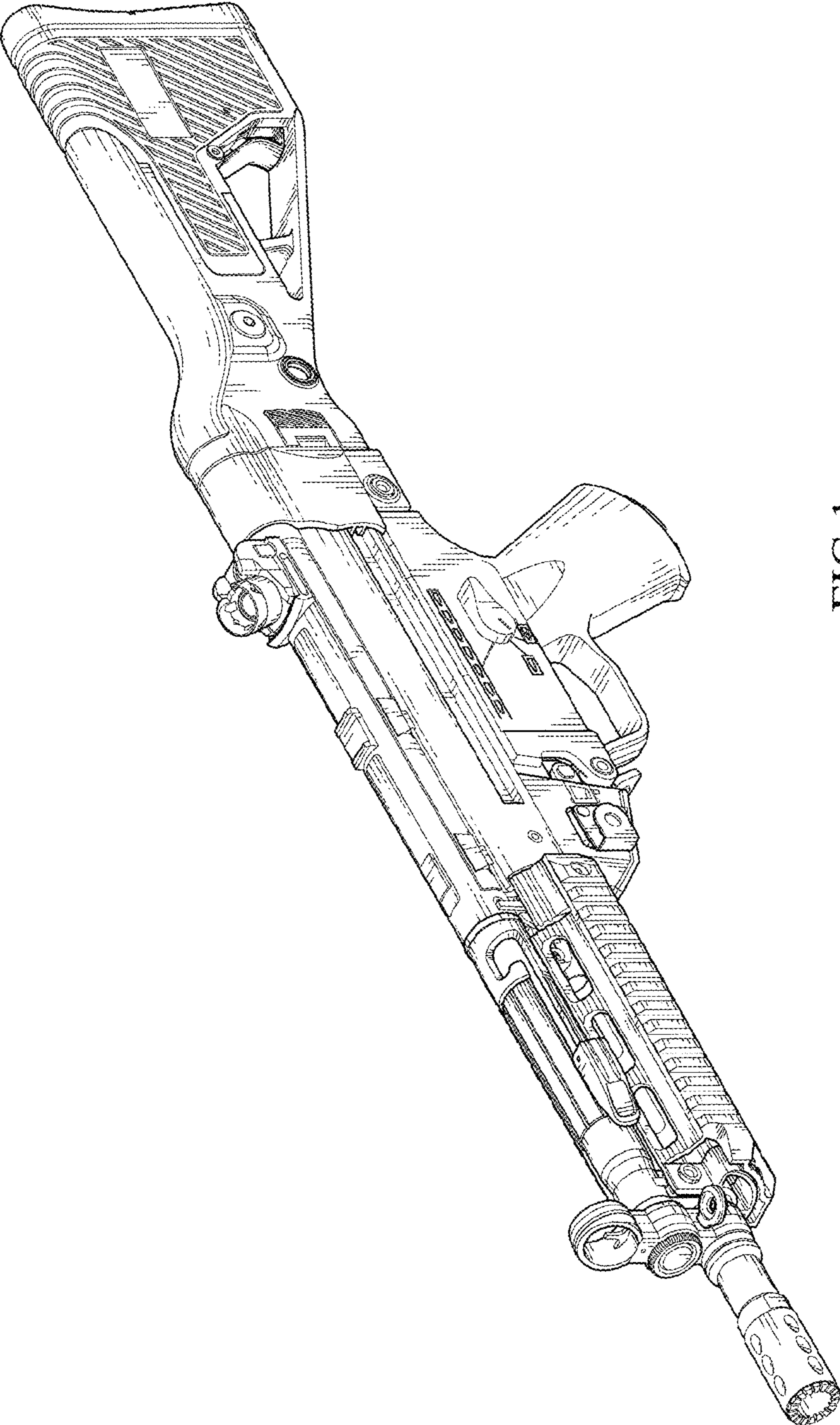


FIG. 1

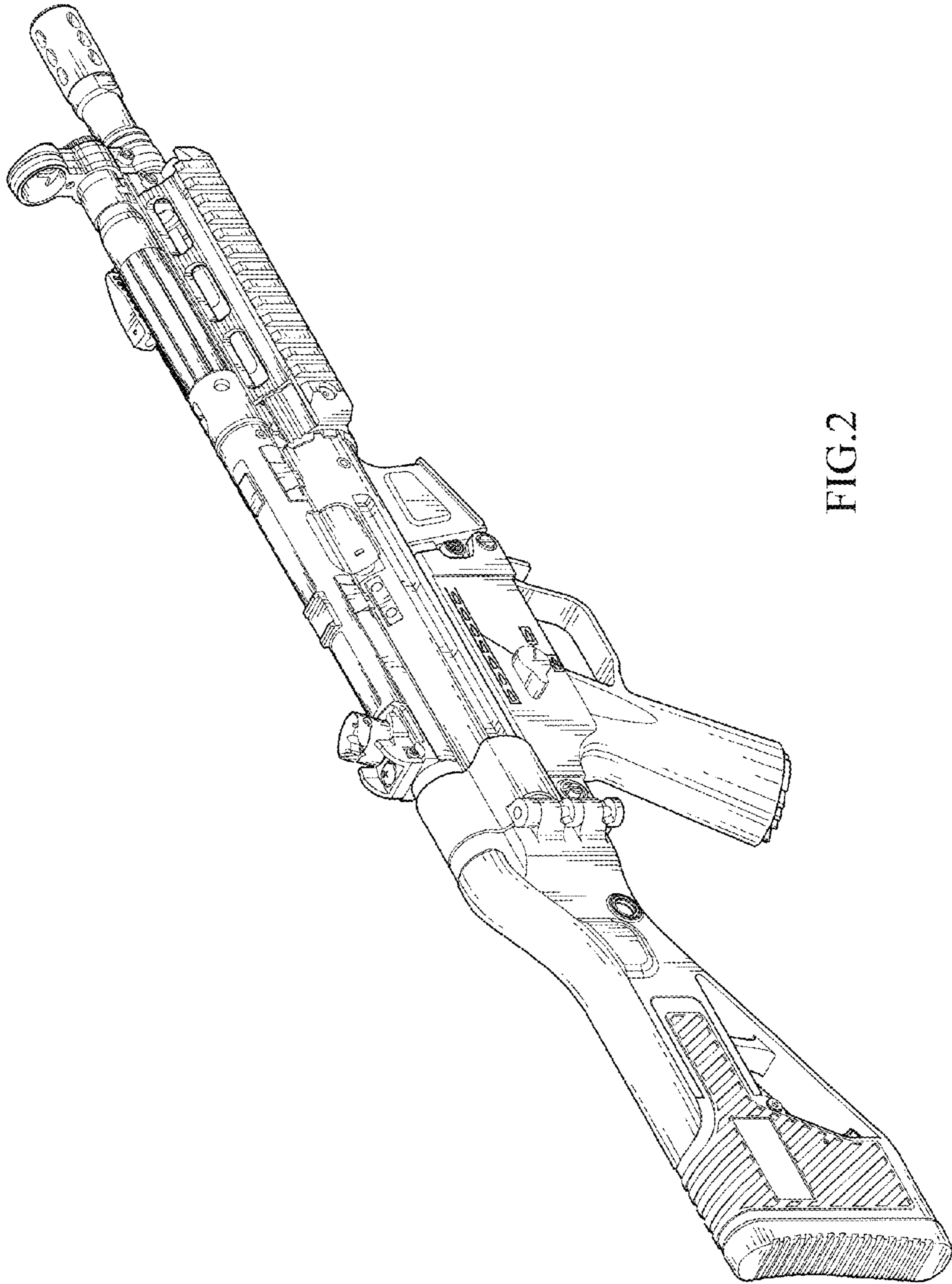


FIG. 2

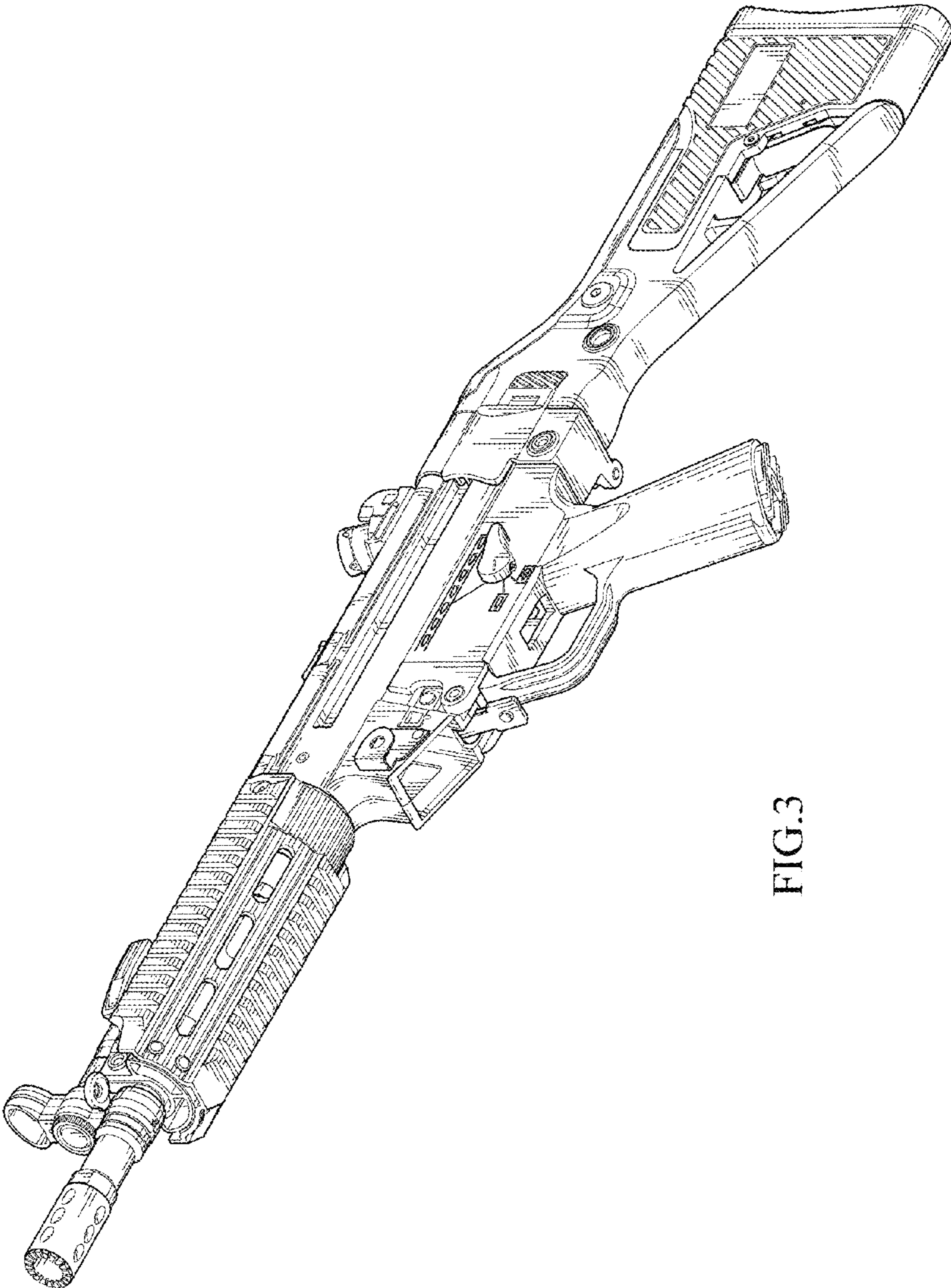


FIG.3

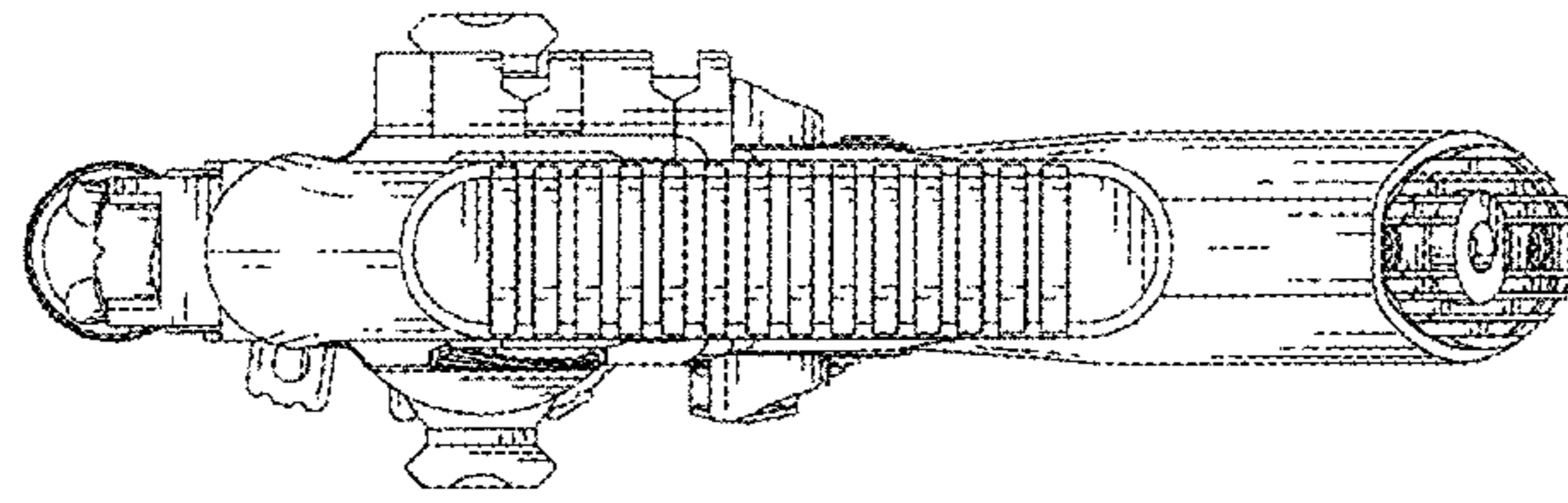


FIG.5

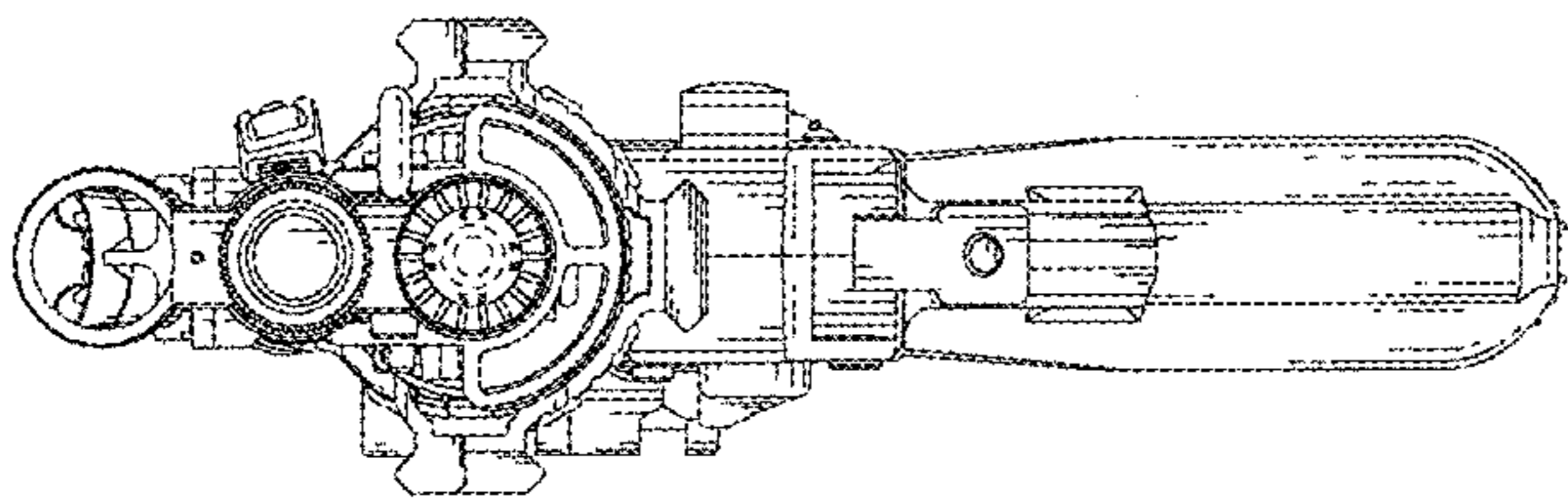


FIG.4

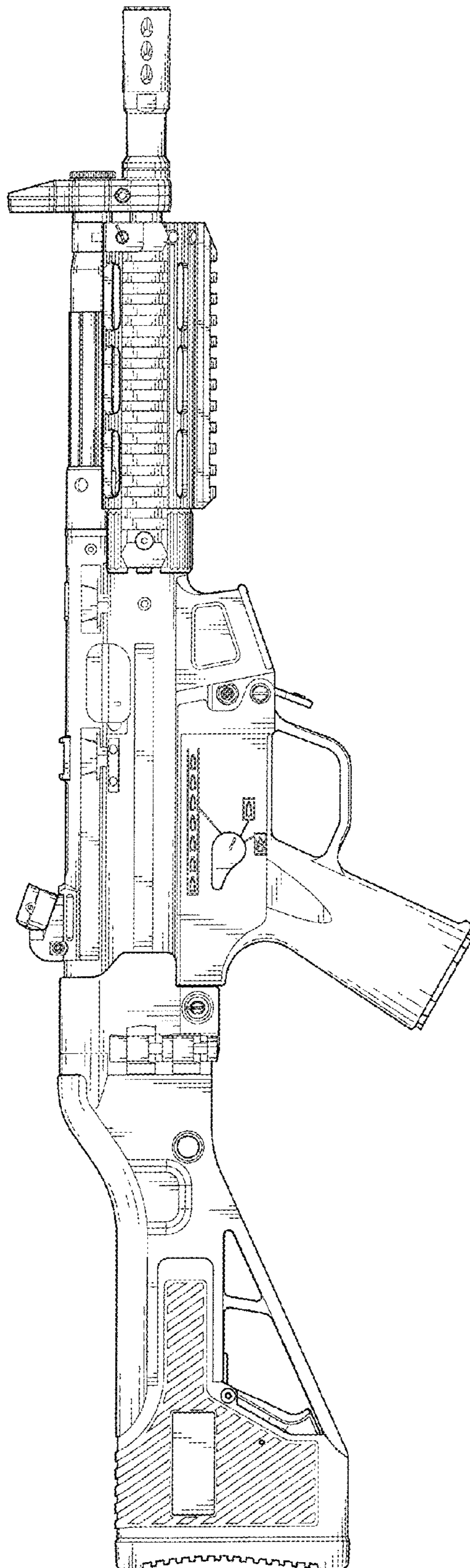


FIG.6

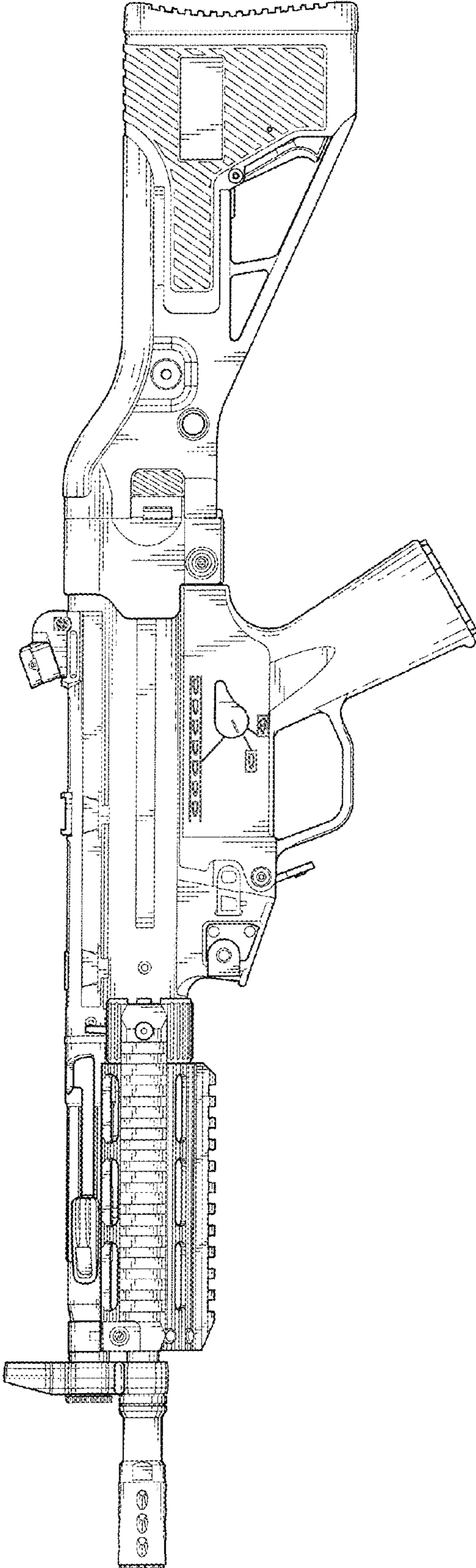


FIG.7

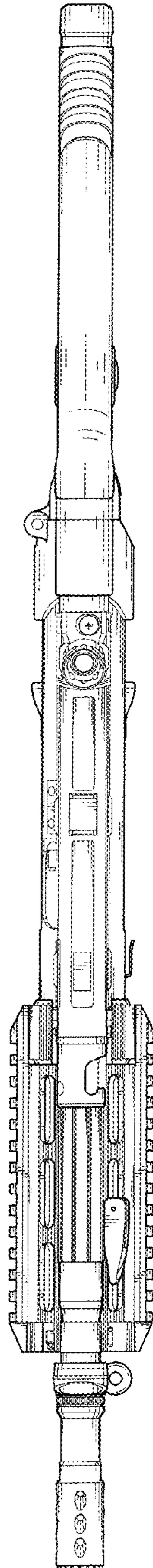


FIG.8

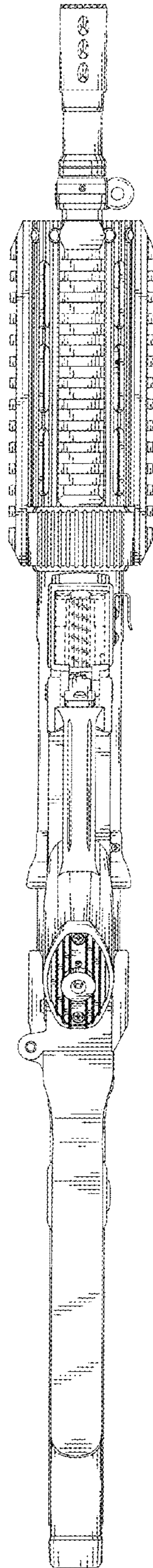


FIG.9